

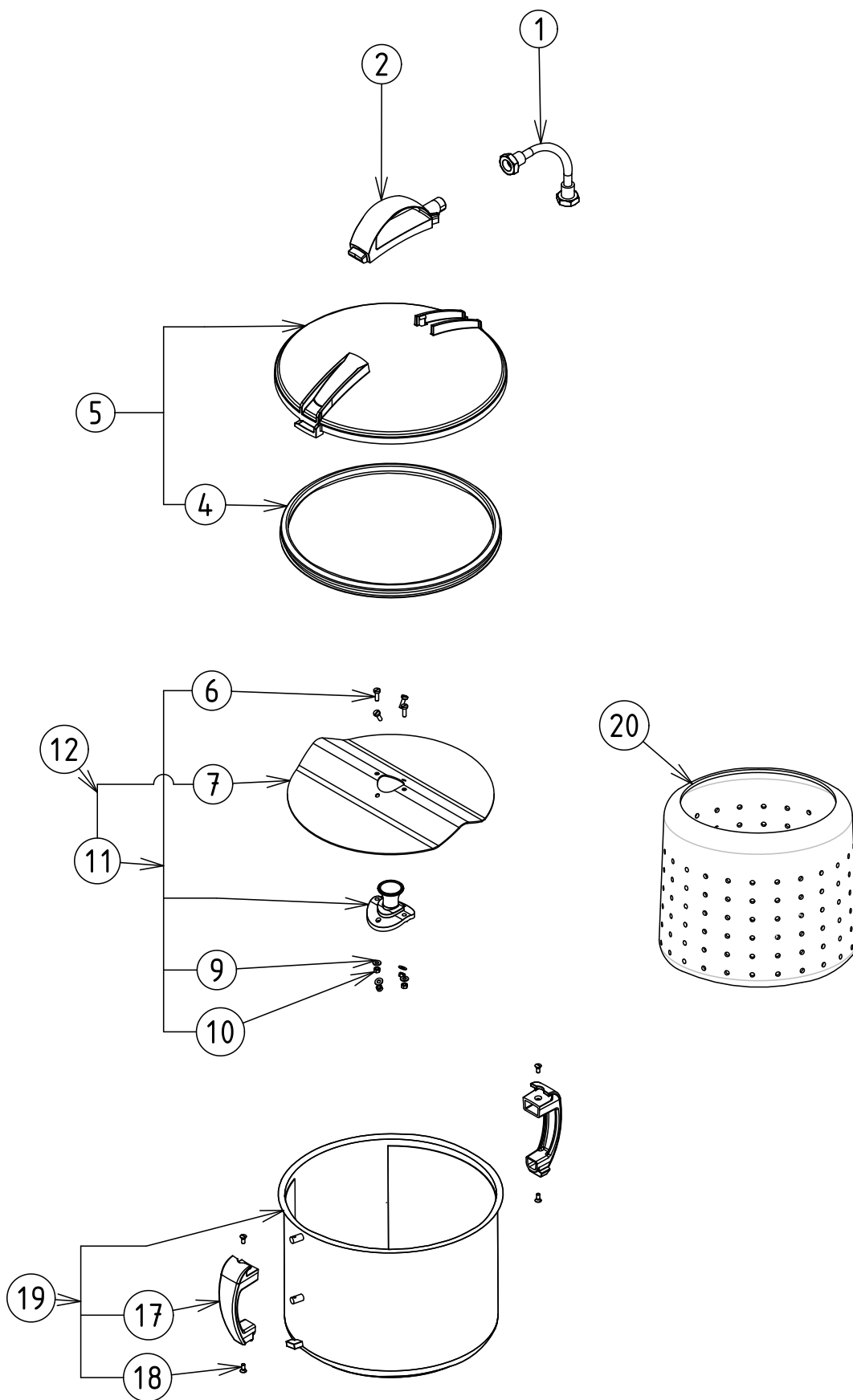
T8E

PNC	Model	Modules	Description	Note
601492	T8E	B;C;D	VEGETABLE PEELER 8KG - REMOVABLE COMPARTMENT - ABRASIVE PLATE - ABRASIF CYLINDER - FILTER BASKET INCORPORATED	
601540	T8E	B;C;E	VEGETABLE PEELER 8KG - REMOVABLE COMPARTMENT - ABRASIVE PLATE - ABRASIF CYLINDER - FILTER BASKET INCORPORATED	
603506	T8E	A;C;D	VEGETABLE PEELER 8KG - REMOVABLE COMPARTMENT - ABRASIVE PLATE - ABRASIF CYLINDER - FILTER BASKET INCORPORATED	

T8E**Modules classifications**

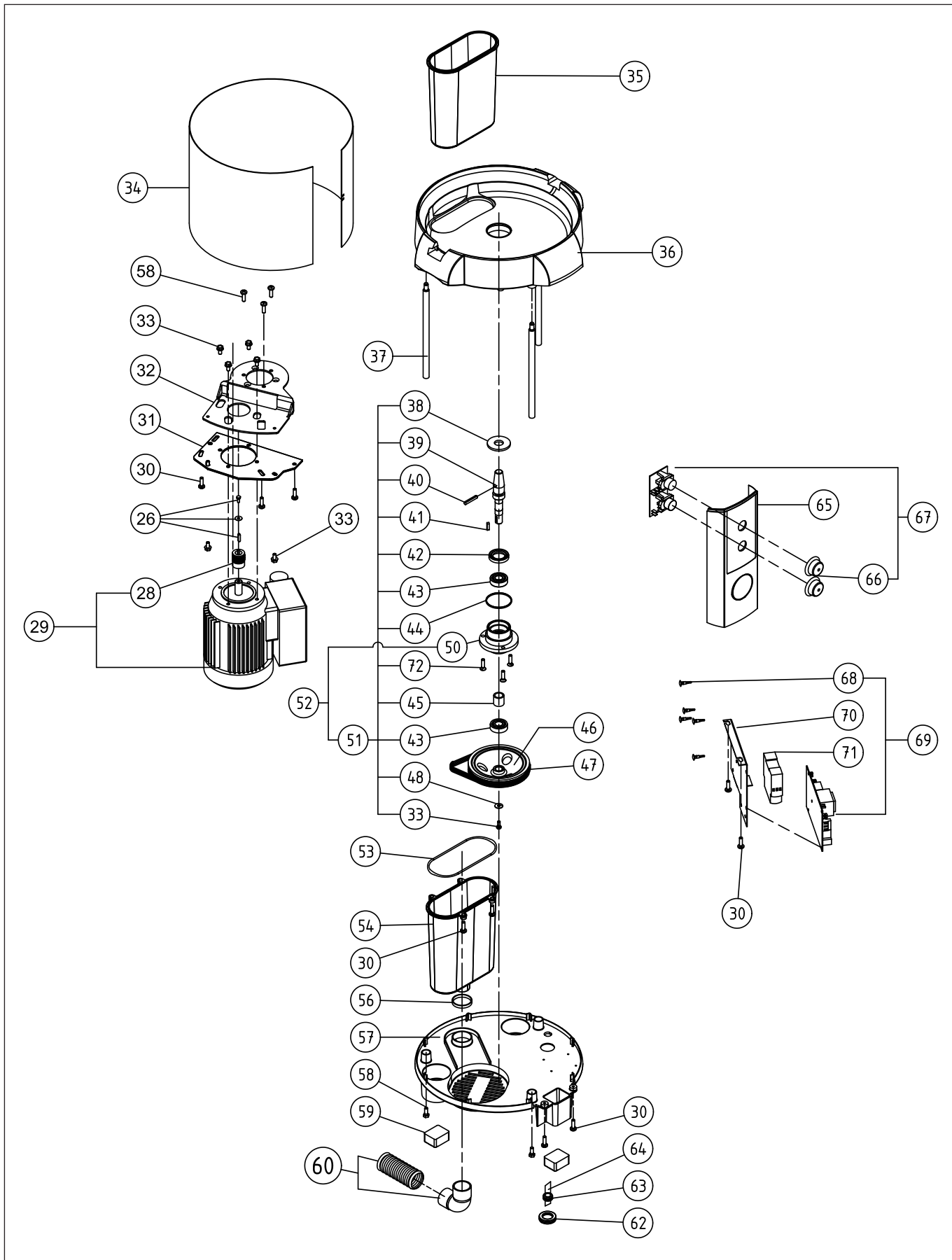
A	DITO SAMA
B	ELECTROLUX PROFESSIONAL
C	220-240 50/60HZ
D	STANDARD PLUG
E	UK PLUG

Pag.	Index
4	Exploded view - Bowl-plate
5	Parts list - Bowl-plate
6	Exploded view - Structure mechanism
7	Parts list - Structure mechanism



Pos.	Code	Description	V	W&T	Ref.	Notes	S/N break
1	0D2999	Flexible hose		X			
2	0D2998	Water inlet + jet		X			
4	0D3502	Seal	X				
5	0D3196	Lid assembly		X			
6	0D0607	Screw TCL M5 x 16 (set x 10)					
7	0D3197	Sheet metal plate					
9	0D2297	Washer M5 CS (set x 10)					
10	0D0579	Nut M5 (set x 10)					
11	0D3198	Hub assembly		X			
12	653316	Plate assembly		X			
17	0D6315	Bowl handle					
18	0D2228	Screw TFB M5 x 12 (set x 10)					
19	0D6019	Standard bowl + handles					
20	653495	Basket					

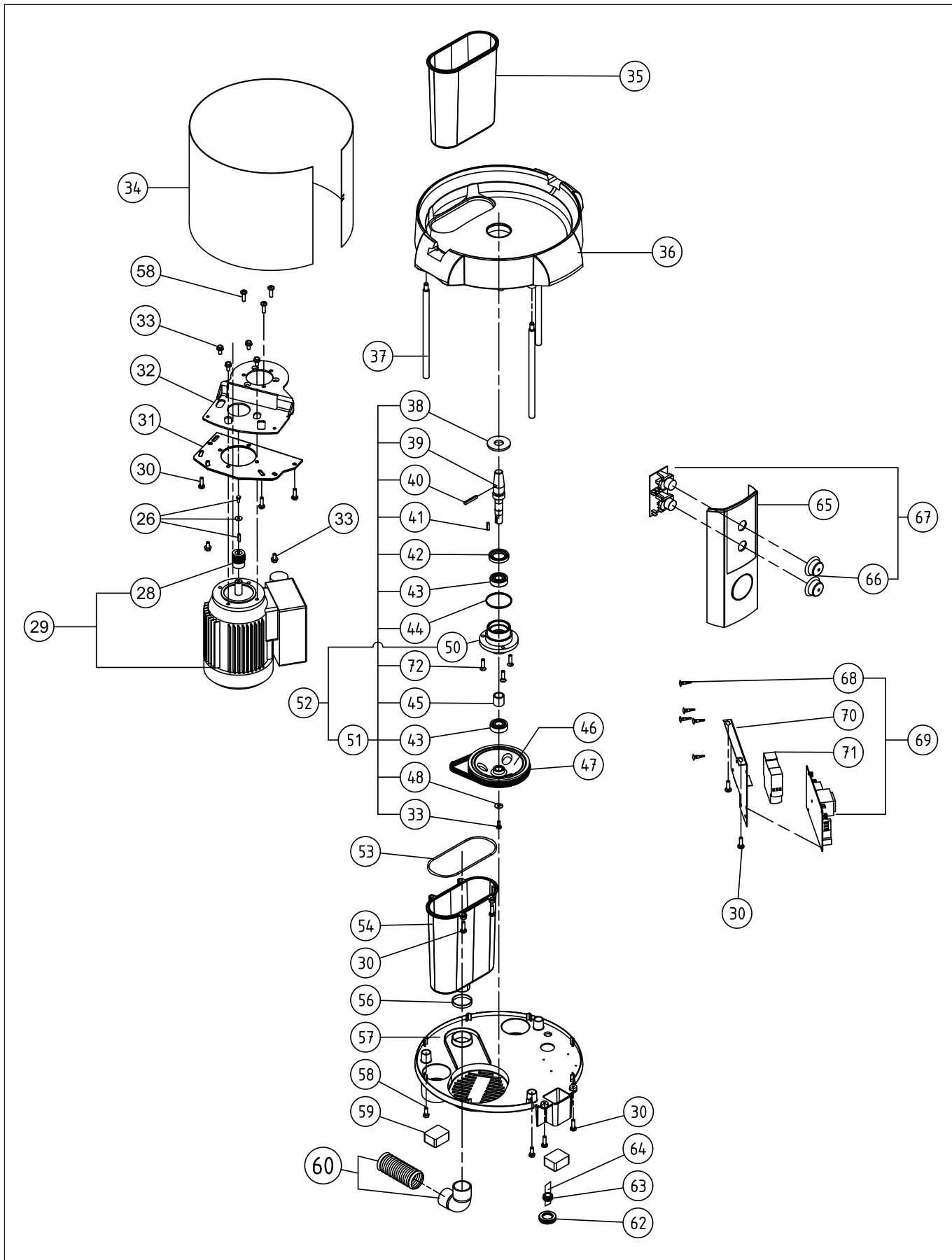
T8E - Exploded view - Structure mechanism



T8E - Parts list - Structure mechanism

Pos.	Code	Description	V	W&T	Ref.	Notes	S/N break
28	0D5307	50Hz Drive pulley					
29	0D3205	50Hz standard motor assembly					
30	0D3208	Srew TCB pozidriv 6x20 (set x 10)					
31	0D6318	Motor support					
32	0D7341	Wall reinforcement					
33	0D6786	Screw TH M6 x 12 (set x 10)					
34	0D6319	Collar					
35	653314	Filter					
36	0D6038	Partition					
37	0D6320	Support pillar					
38	0D6321	End shield					
39	0D6323	Shaft					
40	0U0726	Pin 6 x 36 GO6 (set x 5)					
41	0HD006	Key C 4 x 4 x 18 (set x 5)					
42	0KQ579	Seal 24 x 40 x 7 (set x 5)	X				
43	0D0035	Bearing 6202 2RS	X				
44	0KQ704	O-ring 47 x 3	X				
45	0D6324	Spacer					
46	0D6051	Driven pulley 50Hz					
47	0D3930	Belt 432 j7 V	X				
48	0D0625	Washer L5 CS (set x 10)					
50	0D7331	Bearing		X			
51	0D3209	Complete mechanism		X			
52	0D7332	Bearing assembly		X			
53	0KQ538	3 round profile foam seal		X			
54	0D6201	Filter unit		X			
56	0D6200	Clamping ring		X			
57	0D5694	Base					
58	0D2901	Screw TH M6 x 16 (set x 10)					
59	0KQ363	Foot					
60	0D3211	Ø32 flexible drain hose + connection		X			
62	0D3031	Membrane grommet (set x 10)					
63	0D1155	Grommet clip					
64	0D1320	Single phase lead assembly					
65	0D7925	Control box					
66	0KR665	Printed circuit buttons kit	X				
67	0KJ586	Control card assembly	X				
68	0D2848	Printed circuit fixing spacer (set x 6)					

T8E - Exploded view - Structure mechanism



T8E - Parts list - Structure mechanism

Pos.	Code	Description	V	W&T	Ref.	Notes	S/N break
69	0KQ429	Single phase power card	X				
70	0D6328	Component support					
71	0D3928	Timer relay	X				
72	0D3208	Screw TCB pozidriv 6x20 (set x 10)					

CE