

## MIXER TBX PRO

PNC	Model	Modules	Description	Note
602166	TBXPRO1TH	<b>B;C;F</b>	TURBOLIQUIDIZER - 1 SPEED - SOUP HEAD	replace by <b>602299</b>
602167	TBXPRO2TH	<b>B;D</b>	TURBOLIQUIDIZER - 2 SPEED - NO TOOL	
602168	TBXPROVTH	<b>B;E</b>	TURBOLIQUIDIZER - VARIABLE SPEED THREE PHASES - NO TOOL	
602169	DTBX-PRO1TH	<b>A;C;F</b>	TURBOLIQUIDIZER - 1 SPEED - SOUP HEAD	replace by <b>602298</b>
602170	DTBX-PRO2TH	<b>A;D</b>	TURBOLIQUIDIZER - 2 SPEED - NO TOOL	
602171	DTBX-PROVTH	<b>A;E;</b>	TURBOLIQUIDIZER - VARIABLE SPEED THREE PHASES - NO TOOL	
602188	DTBX-PRO2TP	<b>A;D;F</b>	TURBOLIQUIDIZER - 2 SPEED - SOUP HEAD	
602198	DTBX-PROVML	<b>A;G</b>	TURBOLIQUIDIZER - VARIABLE SPEED SINGLE PHASE - NO TOOL	
602199	TBXPROVML	<b>B;G</b>	TURBOLIQUIDIZER - VARIABLE SPEED SINGLE PHASE - NO TOOL	
602298	DTBXPRO1T	<b>A;C</b>	TURBOLIQUIDIZER - 1 SPEED - NO TOOL	replace <b>602169</b>
602299	TBXPRO1T	<b>B;C</b>	TURBOLIQUIDIZER - 1 SPEED - NO TOOL	replace <b>602166</b>



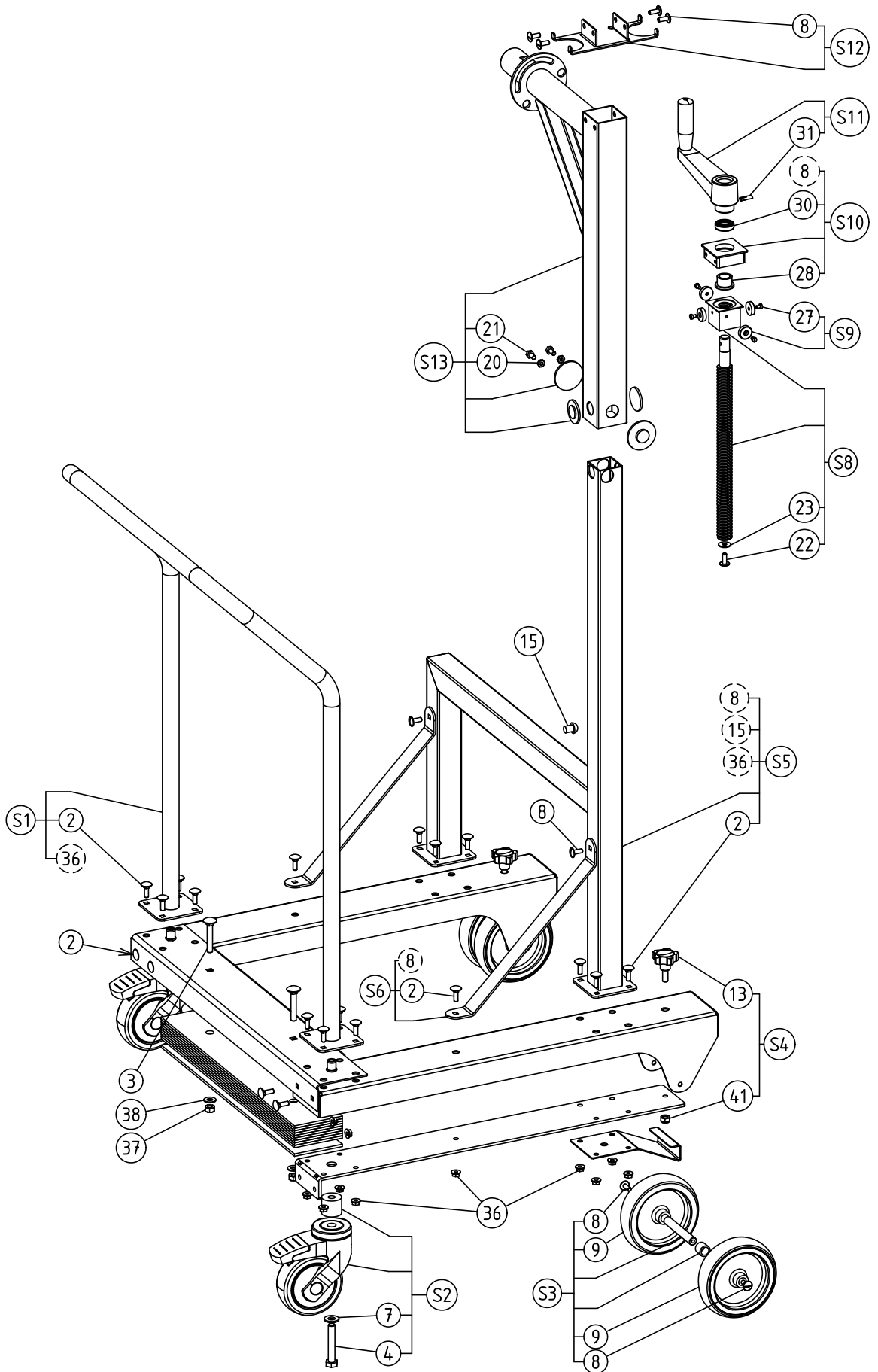
**MIXER TBX PRO**

---

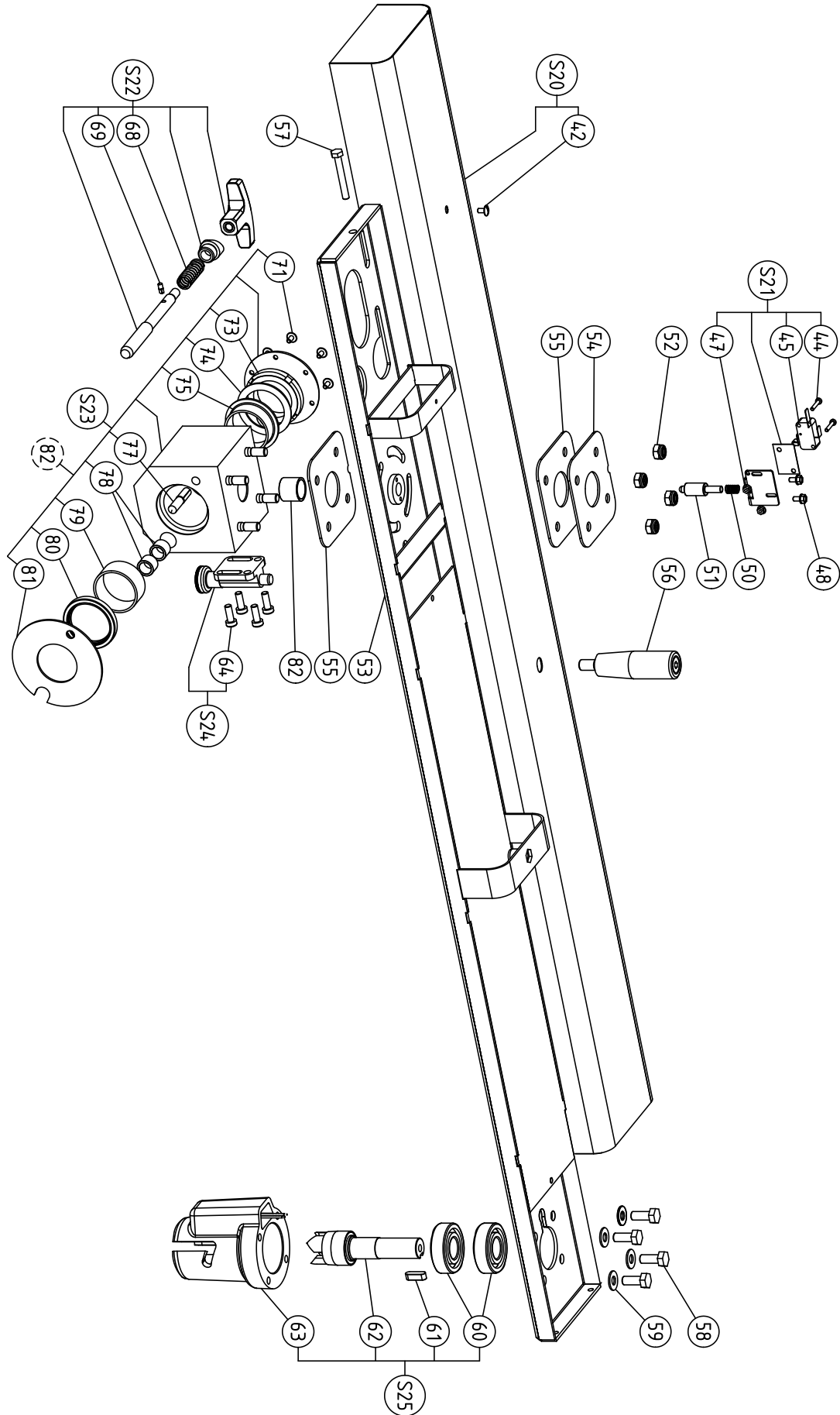
**Modules classifications**

<b>A</b>	DITO SAMA
<b>B</b>	ELECTROLUX PROFESSIONAL
<b>C</b>	1 SPEED
<b>D</b>	2 SPEED
<b>E</b>	VARIABLE SPEED THREE PHASES
<b>F</b>	SOUP HEAD
<b>G</b>	VARIABLE SPEED SINGLE PHASE

<b>Pag.</b>	<b>Index</b>
4	Chariot, colum
6	Body
8	Motor, control board
10	Motor, control board
12	Electrical parts
14	Tubes
16	Tools



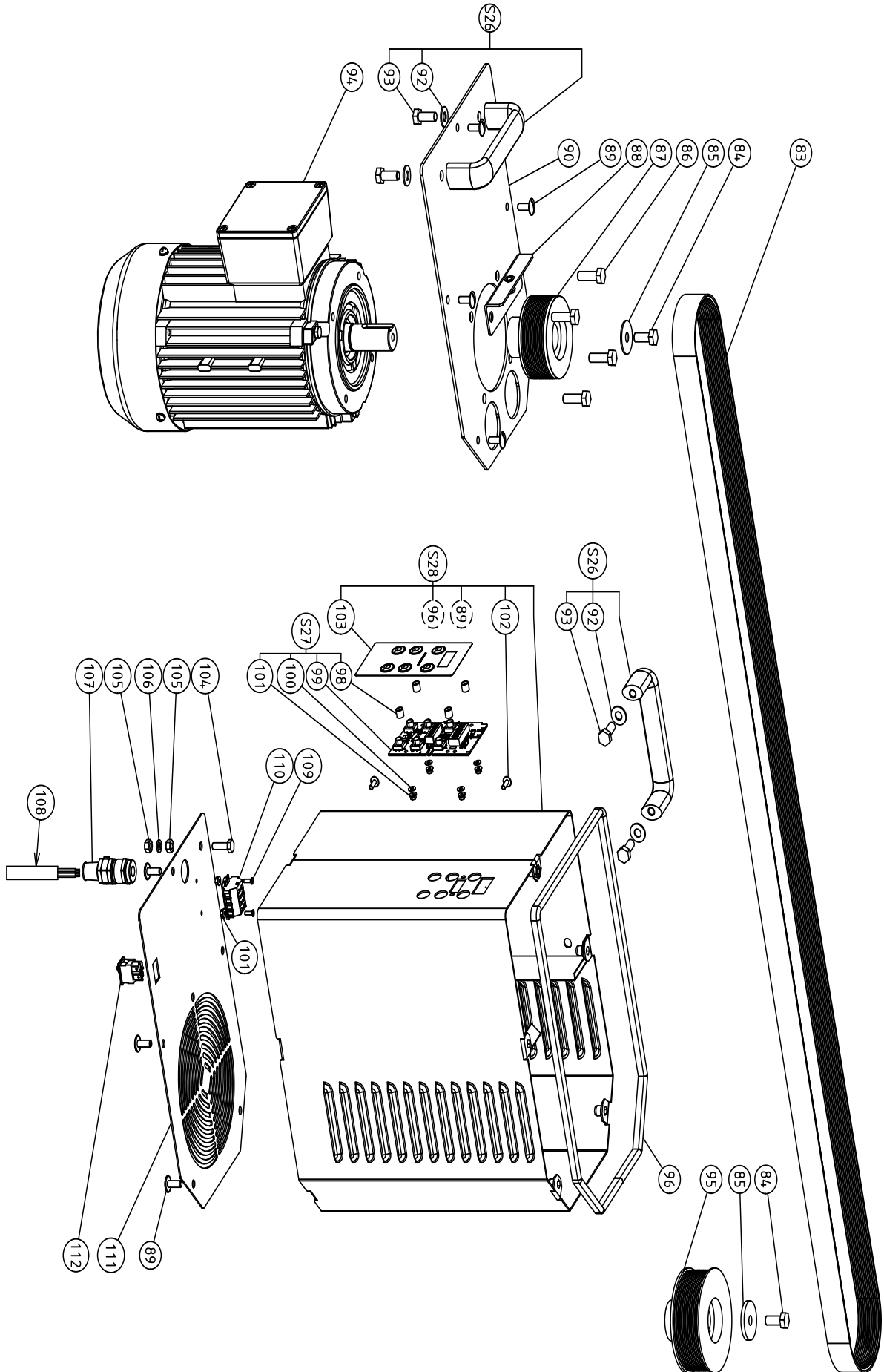
Pos.	Code	Description	V	W&T	Ref.	Notes	S/N break
2	0D8263	Screw M6x16 (set x 10)					
3	0D8264	Screw M6x50 (set x 10)					
4	0D2953	Screw M10x60 (set x 10)					
7	0D5597	Washer M10 (set x 10)					
8	0D1017	Screw TRL M6x16 (set x 10)					
9	0D5920	Wheel Ø125		X			
13	0D1400	Handle					
15	0U0238	End stop					
20	0D0590	Nut					
21	0KQ494	Screw					
22	0D2901	Screw TH M6x16 (set x 10)					
23	0D0627	Washer CL M6 (set x 10)					
27	0D0609	Screw					
28	0D1149	Bearing		X			
30	0D8210	Seal 16x28x7 (set x 5)		X			
31	0D0396	Pin (set x 10)					
36	0D8004	Nut HU M6 (set x 10)					
37	0D6042	Nut HU M8 (set x 10)					
38	0D0632	Washer CS M8 (set x 10)					
41	0D0641	Nut brake M8 (set x 10)					
S1	0D8198	Steering frame assembly					
S2	0D8200	Wheel assembly kit		X			
S3	0D8201	Fixed wheel assembly kit					
S4	0D8262	Adjusting screw					
S5	0D8203	Column assembly					
S6	0D8202	Strengthen assembly					
S8	0D8205	Screw assembly		X			
S9	0D8208	Pad assembly		X			
S10	0D8209	Bearing arm assembly					
S11	0D8211	Handle assembly					
S12	0D8282	Tools support assembly					
S13	0D8204	Arm + set pad assembly					



## MIXER TBXPRO

## PARTS LIST

Pos.	Code	Description	V	W&T	Ref.	Notes	S/N break
42	0KQ527	Screw TRL M4x8 (set x 10)					
44	0KQ511	Screw TC M3x16 (set x 10)					
45	0KQ305	Microswitch	X				
47	0D7383	Nut HU M3 (set x 10)					
48	0D5282	Vis taptite M4x8 (set x 10)					
50	0D3621	Spring					
51	0D8234	Microswitch control pin					
52	0D0641	Nut M8 (set x 10)					
53	0DF029	Body					
54	0DF031	Supporting plate					
55	0DF030	Guiding plate		X			
56	0D8206	Handle					
57	0D0599	Screw TH M6x45 (set x 10)					
58	0D0507	Screw TH M8x20 (set x 10)					
59	0D0632	Washer CS M8 (set x 10)					
60	0D8217	Bearing 6204 stainless steel		X			
61	0KQ488	Key 6x6x20 (set x 10)					
62	0D2834	Shaft assembly		X			
63	0D2847	Adapter safety		X			
64	0D7277	Screw TC M6x16 (set x 10)					
68	0D2179	Spring		X			
69	0D3422	Pin GO5 4x10 (set x 10)					
71	0KQ527	Screw TRL M4x8 (set x 10)					
73	0D8270	M40x1.5 notched nut					
74	0D8271	Washer 40x53x1.5					
75	0D8272	Bearing 40x44x16		X			
77	0D0565	Pin GO5 8x32 (set x 5)					
78	0D6426	Bearing 12x16x12 (set x 2)		X			
79	0D8273	Bearing 40x44x20		X			
80	0D8212	Seal 40x52x8 (set x 5)		X			
81	0D8275	Sliding washer		X			
82	0D1148	Bearing 18x22x18		X			
S20	0D8213	Cover assembly					
S21	0D8214	Microswitch					
S22	0D8215	Lock pin assembly		X			
S23	0D8216	Coupling assembly					
S24	0D8218	Lock assembly		X			
S25	0D8266	Adapter assembly	X				

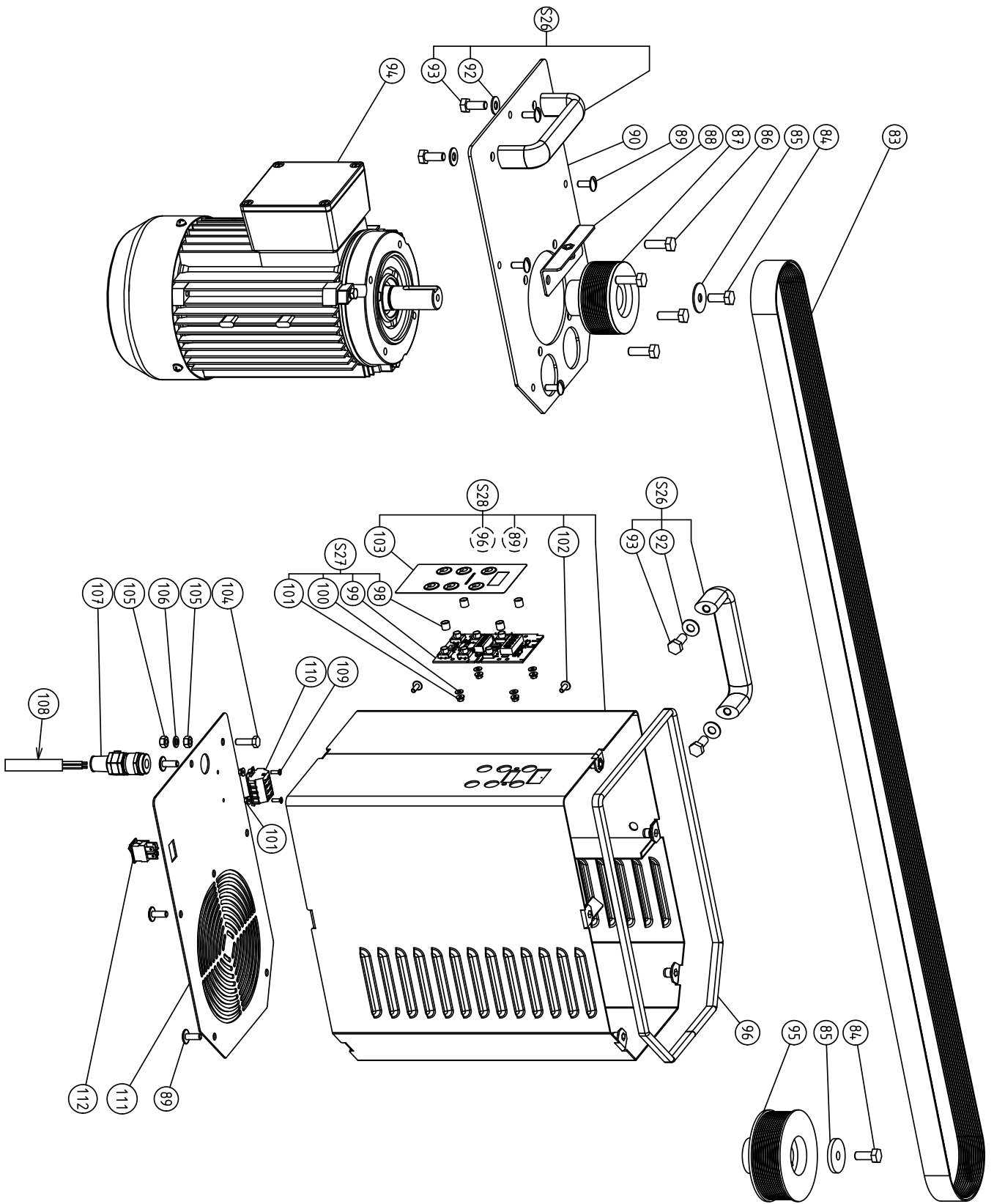




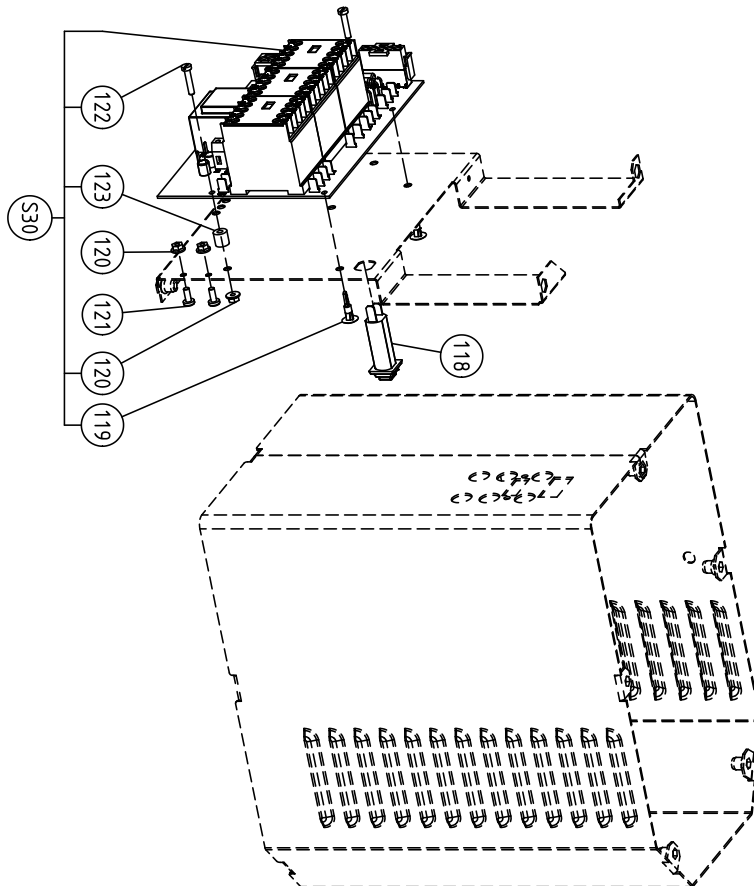
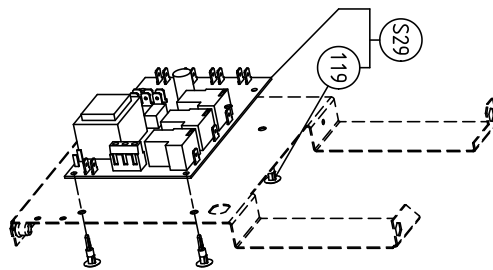
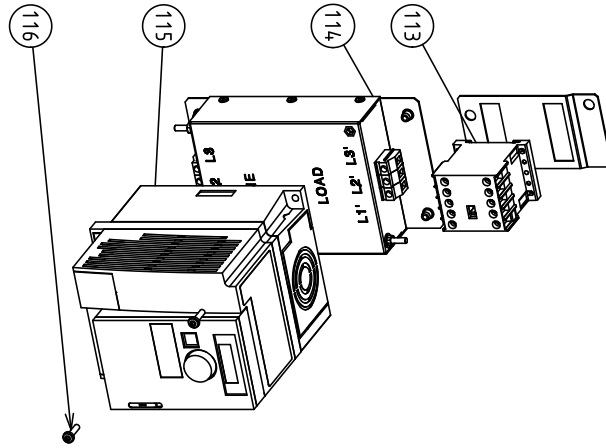
## MIXER TBXPRO

## PARTS LIST

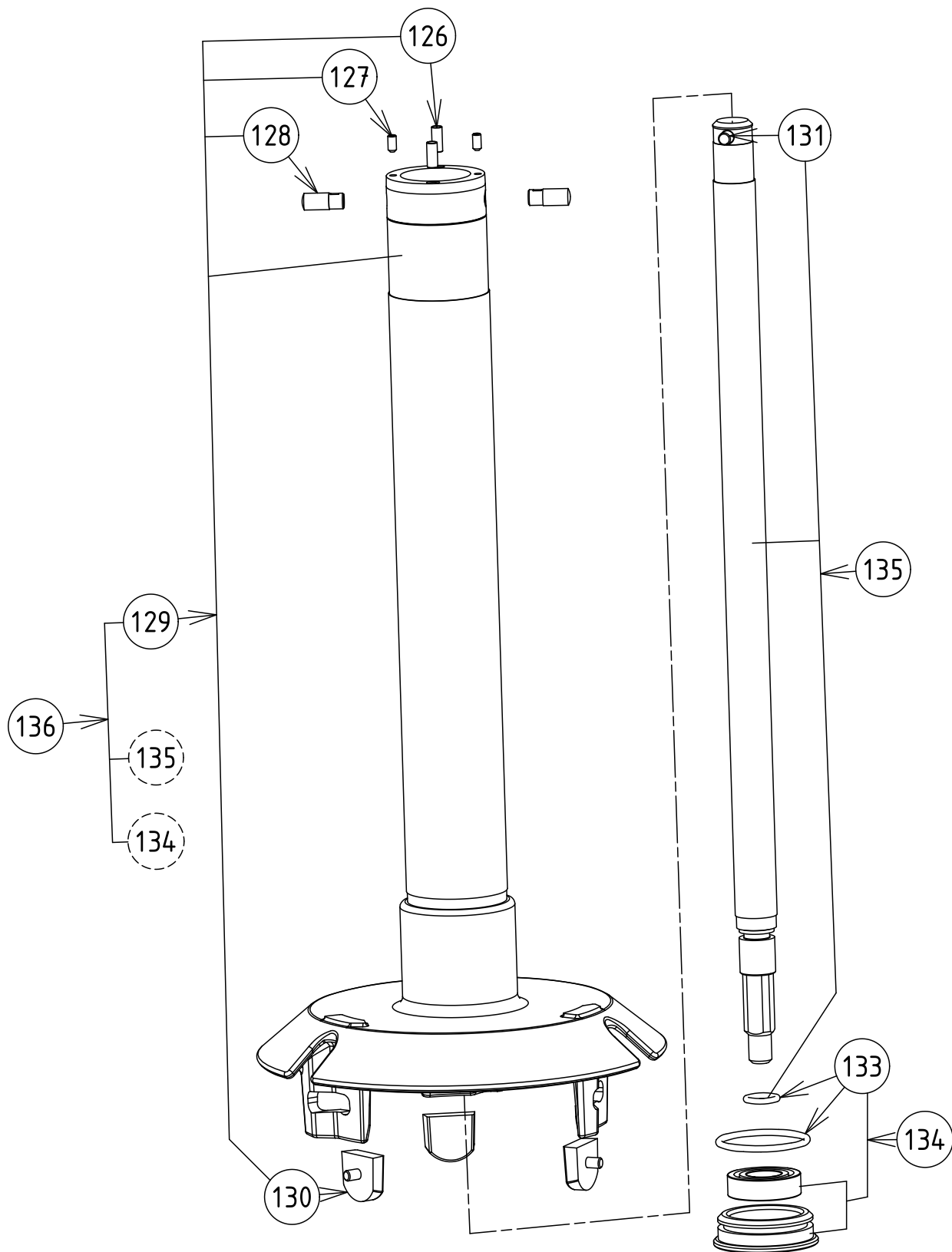
Pos.	Code	Description	V	W&T	Ref.	Notes	S/N break
83	0D1571	Belt POLY V2210J12	X				
84	0D0507	Screw TH M8x20 (set x 10)					
85	0D0630	Washer LL 8 (set x 10)					
86	0D8199	Screw M8x20 (set x 10)					
87	0D8219	Pulley drive 1V - VV			<b>C;E;G</b>		
87	0D8220	Pulley drive 2V			<b>D</b>		
88	0D8231	Tensioning bracket assembly					
89	0D1017	Screw TRL M6x16					
90	0D8242	Motor support					
92	0D0632	Washer CS M8 (set x 10)					
93	0D0498	Screw TH M 8x16 (set x 10)					
94	0D0784	Motor	X		<b>C;E;G</b>		
94	0D8221	Motor	X		<b>D</b>		
95	0D8236	Driven pulley 1V assembly			<b>C</b>		
95	0D8235	Driven pulley 2V assembly			<b>D;E;G</b>		
96	0U0291	Seal					
98	0D5633	Spacer (set x 10)					
99	0D5112	Timer card	X		<b>C</b>		
99	0D7004	Timer card	X		<b>D</b>		
99	0D5624	Timer card	X		<b>E</b>		
99	0D5113	Timer card	X		<b>G</b>		
100	0D5188	Washer PE M3 (set x 10)					
101	0D7383	Nut HU M3 (set x 10)					
102	0KQ527	Screw TRL M4x8 (set x 10)					
103	0DF149	Control panel		X	<b>B;C</b>		
103	0DF151	Control panel		X	<b>B;D</b>		
103	0DF153	Control panel		X	<b>B;E;G</b>		
103	0DF148	Control panel		X	<b>A;C</b>		
103	0DF150	Control panel		X	<b>A;D</b>		
103	0DF152	Control panel		X	<b>A;E;G</b>		
104	0D2901	Screw base TH M6x16 (set x 10)					
105	0D0503	Nut HU M6 (set x 10)					
106	0D0530	Washer (set x 10)					
107	0D2073	Grommet					
108	0D8232	Power supply		X	<b>C;D;E</b>		
108	0DF048	Power supply		X	<b>G</b>		
108	653824	Plug schuko 2P + T	X		<b>G</b>		
109	0D0663	Screw TF M3x10 (set x 10)					
110	0D0794	Block three phase					





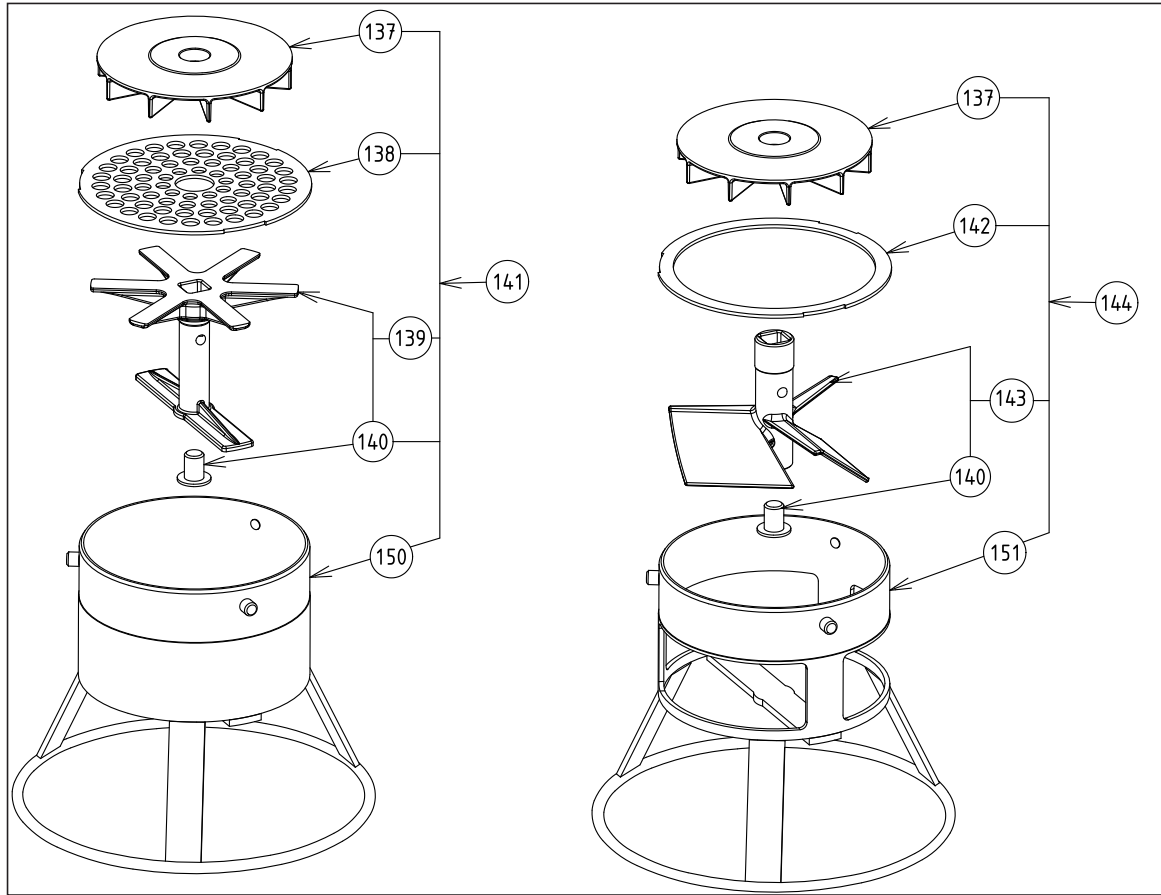




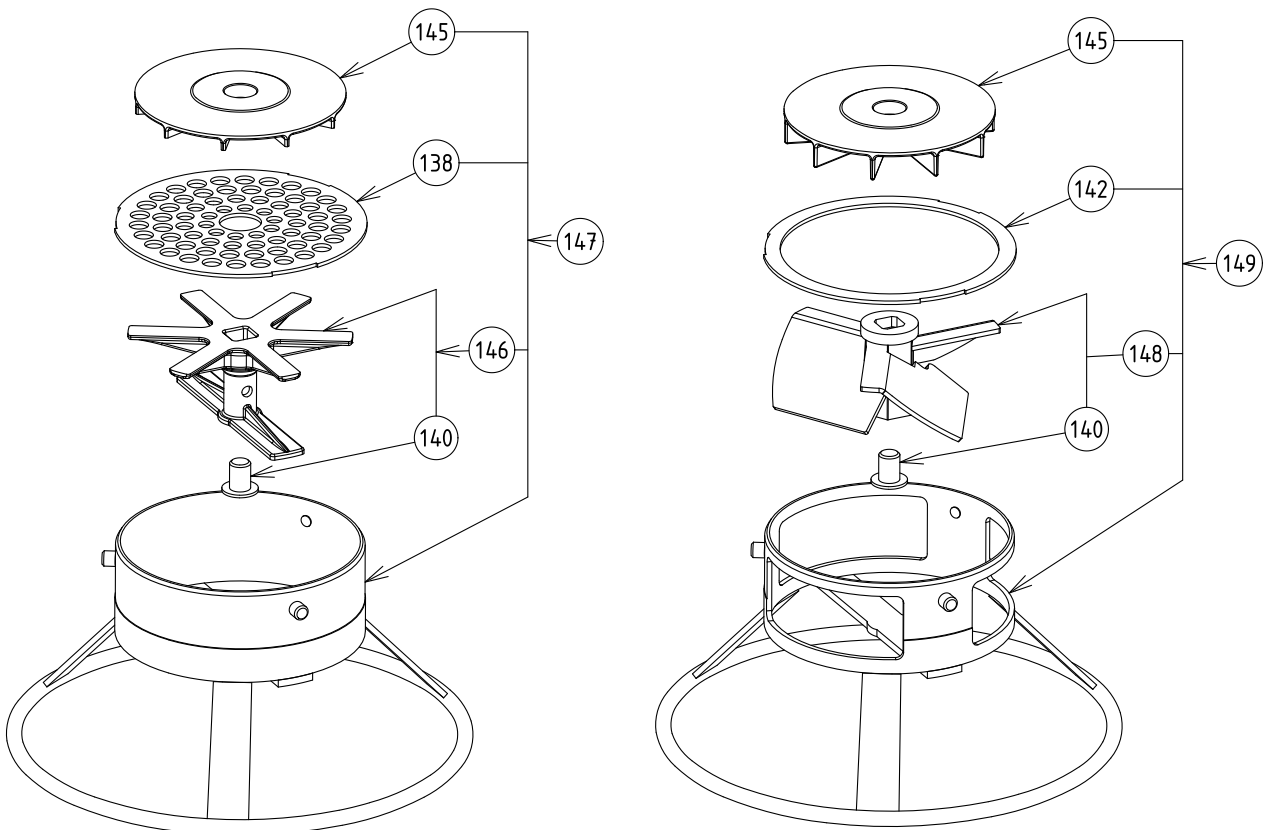




Standard



Kit brassière







CE