

K 45 / 55 / 70

PNC	Model	Modules	Description	Note
600500	K45	B;C;L;O	CUTTER MIXER 4,5L - MICROTOOTHED BLADE - 1 SPEED - 750W	
600443	DK45	A;C;L;O	CUTTER MIXER 4,5L - MICROTOOTHED BLADE - 1 SPEED - 750W	
600505	K45	B;D;K;L;O	CUTTER MIXER 4,5L - MICORTOOTHED BLADE - 1 SPEED - 750W- CB - SCHUKO PLUG	
600544	K45	B;D;I;K;L	CUTTER MIXER 4,5L - MICROTOOTHED BLADE - 1 SPEED - 750W - CB - UK PLUG SASO	
600501	K45	B;G;L	CUTTER MIXER 4,5L - MICROTOOTHED BLADE - 2 SPEED - 900W	
600444	DK45	A;G;L	CUTTER MIXER 4,5L - MICROTOOTHED BLADE - 2 SPEED - 900W	
600506	K45	B;E;L;O	CUTTER MIXER 4,5L - MICROTOOTHED BLADE - VARIABLE SPEED - 1000W	
600448	DK45	A;E;L;O	CUTTER MIXER 4,5L - MICROTOOTHED BLADE - VARIABLE SPEED - 1000W	
600449	DK45	A;E;K;L	CUTTER MIXER 4,5L - MICROTOOTHED BLADE - VARIABLE SPEED - 1000W - CB - SCHUKO PLUG	
600456	DK45	A;E;H;L	CUTTER MIXER 4,5L - MICROTOOTHED BLADE - VARIABLE SPEED - 1000W - UK PLUG	
600507	K45	B;E;K;L	CUTTER MIXER 4,5L - MICROTOOTHED BLADE - VARIABLE SPEED - 1000W - CB - SCHUKO PLUG	
600509	K45	B;E;J;L	CUTTER MIXER 4,5L - MICROTOOTHED BLADE - VARIABLE SPEED - 1000W - AUSTRALIA PLUG	
600518	K45	B;F;L	CUTTER MIXER 4,5L - MICROTOOTHED BLADE - VARIABLE SPEED - 1000W - USA	
600535	DK45	A;E;I;K;L	CUTTER MIXER 4,5L - MICROTOOTHED BLADE - VARIABLE SPEED - 1000W - CB - UK PLUG SASO	
600545	K45	B;E;I;K;L	CUTTER MIXER 4,5L - MICROTOOTHED BLADE - VARIABLE SPEED - 1000W - CB - UK PLUG SASO	
602244	DK45	A;F;L;P	CUTTER MIXER 4,5L - MICROTHOOTHED BLADE - VARIABLE SPEED - 1000W -	
602320	K45VV3J	B;K;L;Q;R	CUTTER MIXER 4,5L - MICROTOOTHED BLADE - VARIABLE SPEED - 200V/3/50-60HZ - JAPAN	
602323	K45VV1J	B;K;L;R	CUTTER MIXER 4,5L - MICROTOOTHED BLADE - VARIABLE SPEED - 100V/1/50-60HZ - JAPAN	
600445	DK55	A;G;M	CUTTER MIXER 5,5L - MICROTOOTHED BLADE - 2 SPEED - 1000W	
600502	K55	B;G;M	CUTTER MIXER 5,5L - MICROTOOTHED BLADE - 2 SPEED - 1000W	
600450	DK55	A;E;M;O	CUTTER MIXER 5,5L - MICROTOOTHED BLADE - VARIABLE SPEED - 1300W	

K 45 / 55 / 70

PNC	Model	Modules	Description	Note
600451	DK55	A;E;K;M	CUTTER MIXER 5,5L - MICROTOOTHED BLADE - VARIABLE SPEED - 1300W - CB - SCHUKO PLUG	
600452	DK55	A;E;H;M	CUTTER MIXER 5,5L - MICROTOOTHED BLADE - VARIABLE SPEED - 1300W - UK PLUG	
600510	K55	B;E;M;O	CUTTER MIXER 5,5L - MICROTOOTHED BLADE - VARIABLE SPEED - 1300W	
600511	K55	B;E;K;M	CUTTER MIXER 5,5L - MICROTOOTHED BLADE - VARIABLE SPEED - 1300W - CB - SCHUKO PLUG	
600519	K55	B;F;M	CUTTER MIXER 5,5L - MICROTOOTHED BLADE - VARIABLE SPEED - 1300W - USA	
600536	DK55	A;E;I;K;M	CUTTER MIXER 5,5L - MICROTOOTHED BLADE - VARIABLE SPEED - 1300W - CB - UK PLUG SASO	
600546	K55	B;E;I;K;M	CUTTER MIXER 5,5L - MICROTOOTHED BLADE - VARIABLE SPEED - 1300W - CB - UK PLUG SASO	
602245	DK55	A;F;M;P	CUTTER MIXER 5,5L - MICROTOOTHED BLADE - VARIABLE SPEED - 1300W - USA	
602321	K55VV3J	B;K;M;Q;R	CUTTER MIXER 5,5L - MICROTOOTHED BLADE - VARIABLE SPEED - 200V/3/50-60HZ - JAPAN	
602324	K55VV1J	B;K;M;R	CUTTER MIXER 5,5L - MICROTOOTHED BLADE - VARIABLE SPEED - 100V/1/50-60 - JAPAN	
600498	K55VVEK	B;D;M;O	CUTTER MIXER 5,5L - MICROTOOTHED BLADE - VARIABLE SPEED - KOREAN	
600446	DK70	A;G;N	CUTTER MIXER 7L - MICROTOOTHED BLADE - 2 SPEED - 1200W	
600503	K70	B;G;N	CUTTER MIXER 7L - MICROTOOTHED BLADE - 2 SPEED - 1200W	
600453	DK70	A;E;N;O	CUTTER MIXER 7L - MICROTOOTHED BLADE - VARIABLE SPEED - 1500W	
600454	DK70	A;E;K;N	CUTTER MIXER 7L - MICROTOOTHED BLADE - VARIABLE SPEED - 1500W - CB - SCHUKO PLUG	
600455	DK70	A;E;H;N	CUTTER MIXER 7L - MICROTOOTHED BLADE - VARIABLE SPEED - 1500W - UK PLUG	
600513	K70	B;E;N;O	CUTTER MIXER 7L - MICROTOOTHED BLADE - VARIABLE SPEED - 1500W	
600514	K70	B;E;K;N	CUTTER MIXER 7L - MICROTOOTHED BLADE - VARIABLE SPEED - 1500W - CB - SCHUKO PLUG	
600516	K70	B;E;J;N	CUTTER MIXER 7L - MICROTOOTHED BLADE - VARIABLE SPEED - 1500W - AUSTRALIA PLUG	
600520	K70	B;F;N	CUTTER MIXER 7L - MICROTOOTHED BLADE - VARIABLE SPEED - 1500W - USA	

SPARE PARTS CATALOGUE

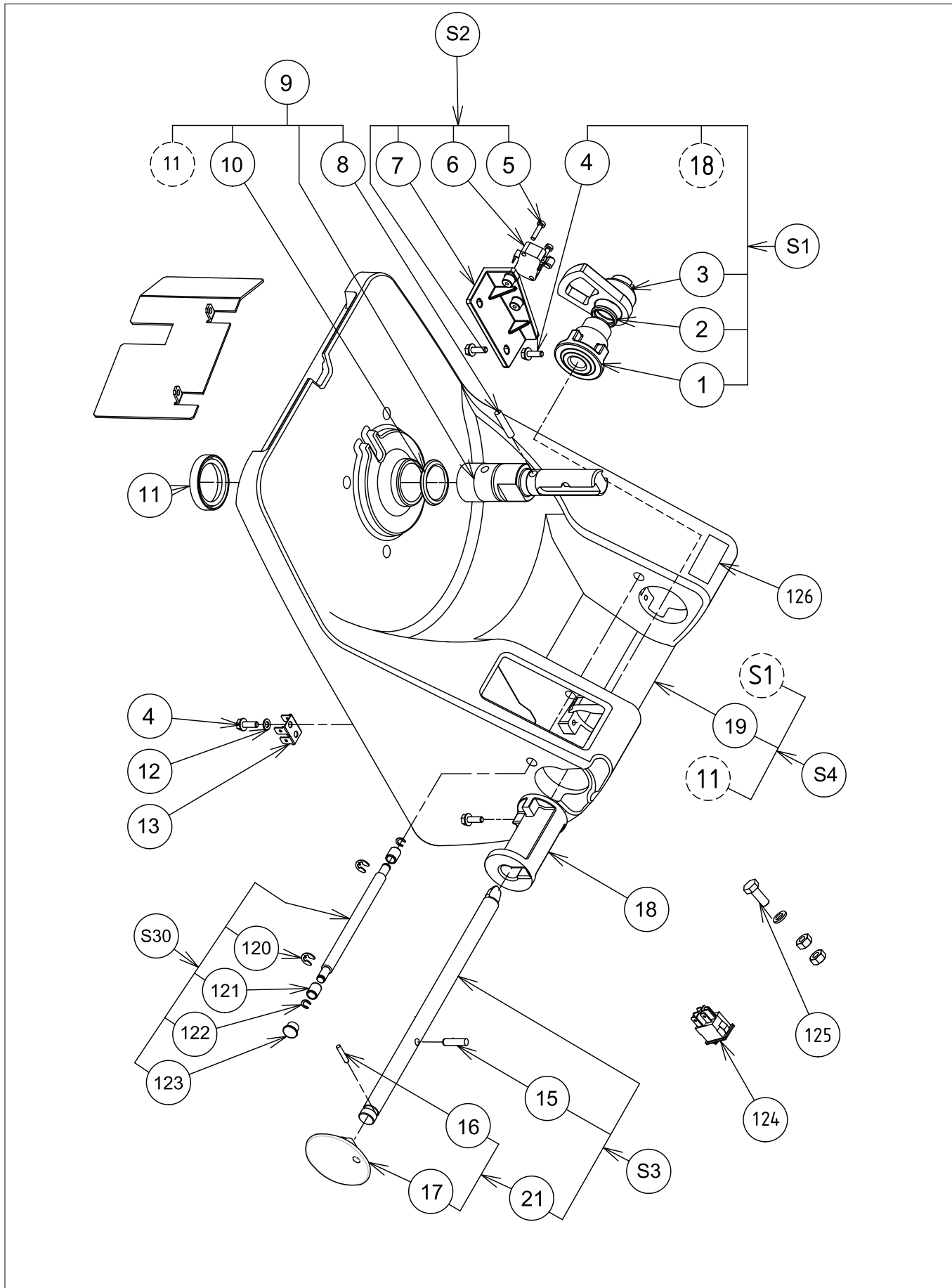
K 45 / 55 / 70

PNC	Model	Modules	Description	Note
600537	DK70	A;E;I;K;N	CUTTER MIXER 7L - MICROTOOTHED BLADE - VARIABLE SPEED - 1500W - CB - UK PLUG SASO	
600547	K70	B;E;I;K;N	CUTTER MIXER 7L - MICROTOOTHED BLADE - VARIABLE SPEED - 1500W - CB - UK PLUG SASO	
602246	DK70	A;F;N;P	CUTTER MIXER 7L - MICROTOOTHED BLADE - VARIABLE SPEED - 1500W - USA	
602260	K70	B;F;N	CUTTER MIXER 7L - MICROTOOTHED BLADE - VARIABLE SPEED - NO SCRAPER - 1500W - USA	
602322	K70VV3J	B;K;N;Q;R	CUTTER MIXER 7L - MICROTOOTHED BLADE - VARIABLE SPEED - 200V/3/50-60HZ - JAPAN	
602325	K70VV1J	B;K;N;R	CUTTER MIXER 7L - MICROTOOTHED BLADE - VARIABLE SPEED - 100V/1/50-60HZ - JAPAN	

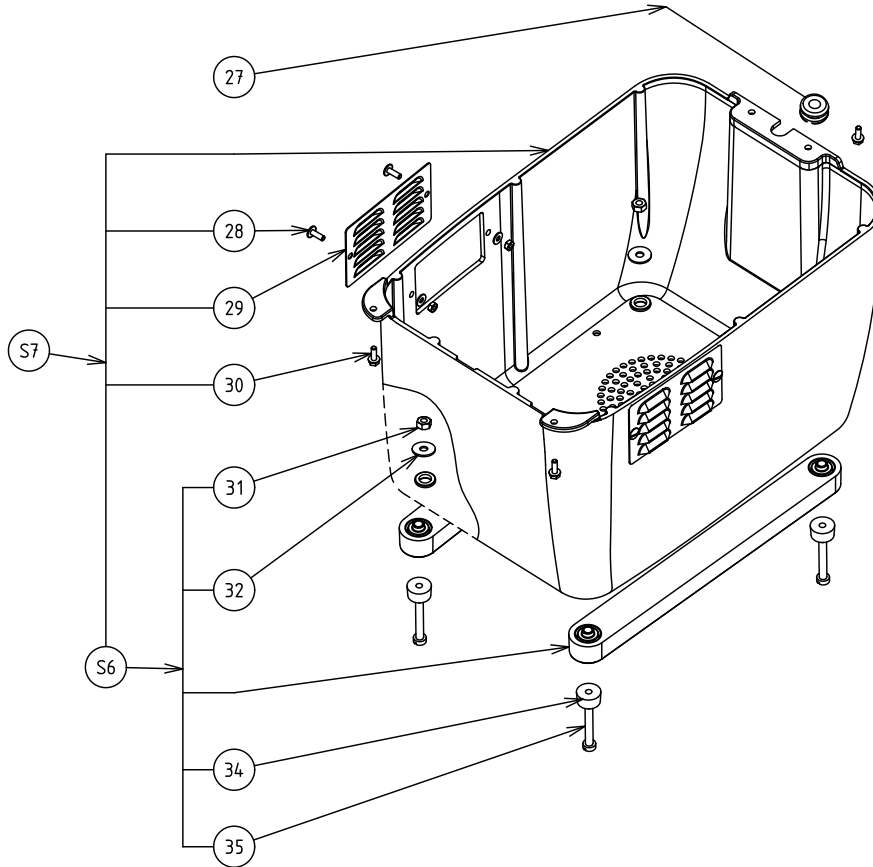
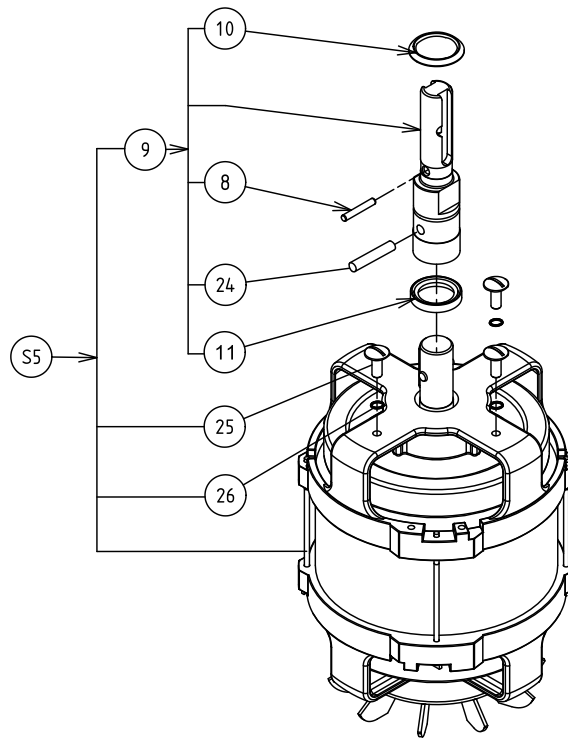
K 45 / 55 / 70**Modules classifications**

A	DITO SAMA
B	ELECTROLUX PROFESSIONAL
C	I - 220-240V 50HZ
D	I - 208-230V 60HZ
E	I - 200-240V 50/60HZ
F	I - 110-120V 60HZ USA
G	III - 380-440V 50/60HZ
H	UK PLUG
I	UK PLUG SASO
J	AUSTRALIE PLUG
K	MAIN SWITCH
L	4.5 LITERS
M	5.5 LITERS
N	7 LITERS
O	SCHUKO PLUG
P	DITO SAMA USA
Q	III - 200V 50/60HZ
R	JAPAN PLUG

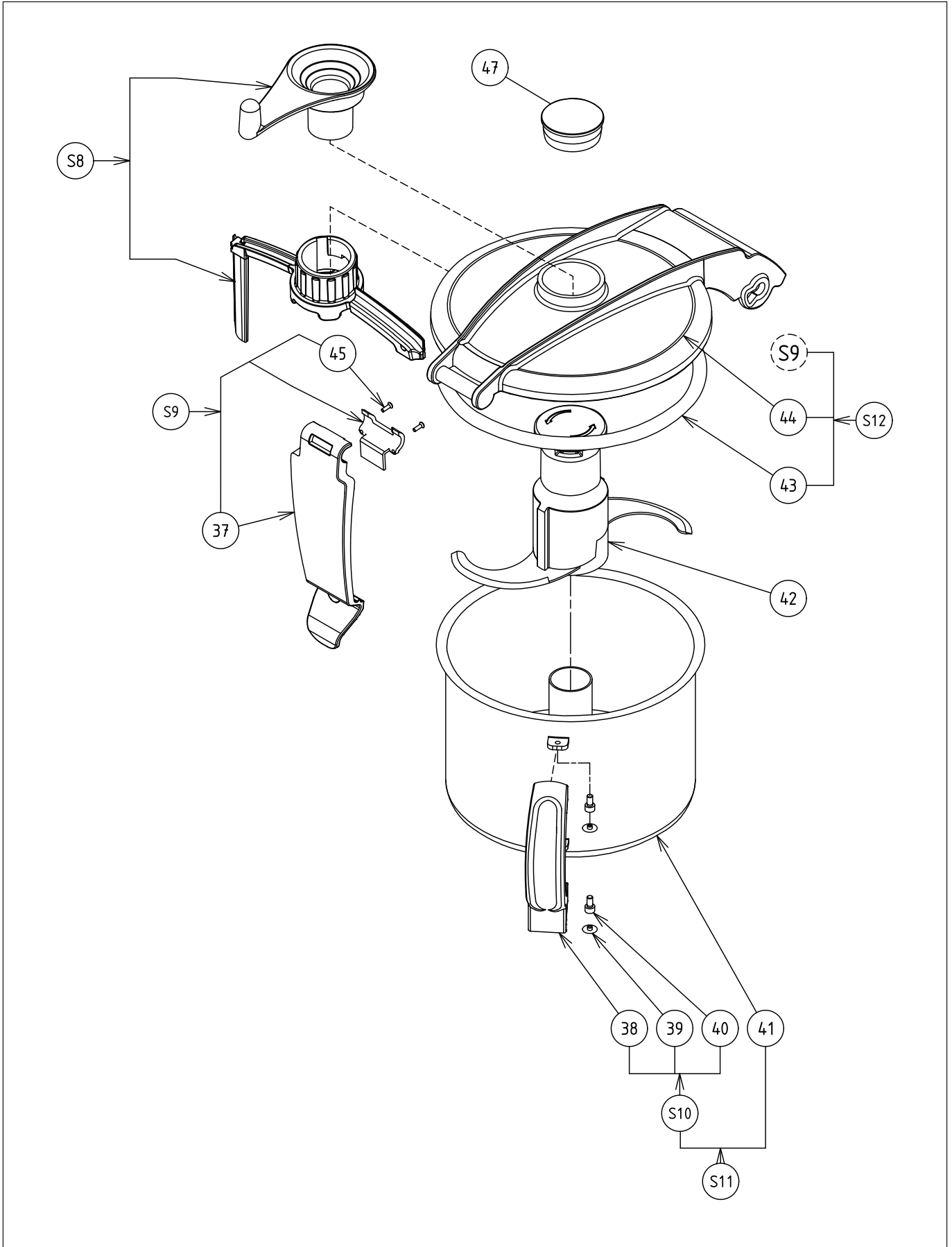
Pag.	Index
5	Exploded view - Body
6	Parts list - Body
7	Exploded view - Motor + Casing
8	Parts list - Motor + Casing
9	Exploded view - Lid + Bowl
10	Parts list - Lid + Bowl
11	Exploded view - 1-speed single phase Control circuit board
12	Parts list - 1-speed single phase Control circuit board
13	Exploded view - 2-speed three-phase Control circuit board
14	Parts list - 2-speed three-phase Control circuit board
15	Exploded view - Variable speed unit circuit board
16	Parts list - Variable speed unit circuit board



Pos.	Code	Description	V	W&T	Ref.	Notes	S/N break
1	0D5412	Sleeve					
2	0D2662	15.54x2.62 O-ring (set x 5)		X			
3	0D5413	Cam					
4	0D6754	M4x12 screw (set x 10)					
5	0D5414	1412 K30/16 PTWN screw (set x 10)					
6	0D6620	Micro-switch with wafer	X				
7	0D5415	Micro-switch support					
8	0D7860	G06 5x25 pin (set x 10)					
9	0D5997	K19 shaft assembly					
10	0D5419	Deflector		X			
11	0KI998	28x40x7 lip seal (set x 5)		X			
12	0D0520	4 washer (set x 10)					
13	0D3567	Brass earth cable terminal (set x 5)					
15	0D0396	G05 5x20 pin (set x 10)					
16	0KQ479	G01 3x16 pin (set x 10)					
17	0D5427	Button		X			
18	0D5428	Guide					
19	0D5429	Body CE					
19	0DF047	Body CB			K		
21	0D7492	Button assembly		X			
120	0D7859	Circlip 8E (set x 10)					
121	0D7857	Bearing (set x 10)		X			
122	0D7858	Circlip 6E (set x 10)					
123	0D2189	Cap (set x 10)					
124	0D7991	Switch assembly CB	X		K		
124	0D7992	Hood switch CB		X	K		
125	0D0499	M6x16 screw (set x 10) CB			K		
125	0D0503	Nut HU M6 (set x 10) CB			K		
126	0D7237	Label set Electrolux			B		
126	0DF096	Label set Dito Sama			A		
S1	0D5430	Complete sleeve + guide					
S2	0D5431	Micro-switch support assembly					
S3	0D5432	Spindle assembly		X			
S4	0D5433	Body assembly CE					
S4	0DF034	Body assembly CB			K		
S30	0D7856	Assembly pin					

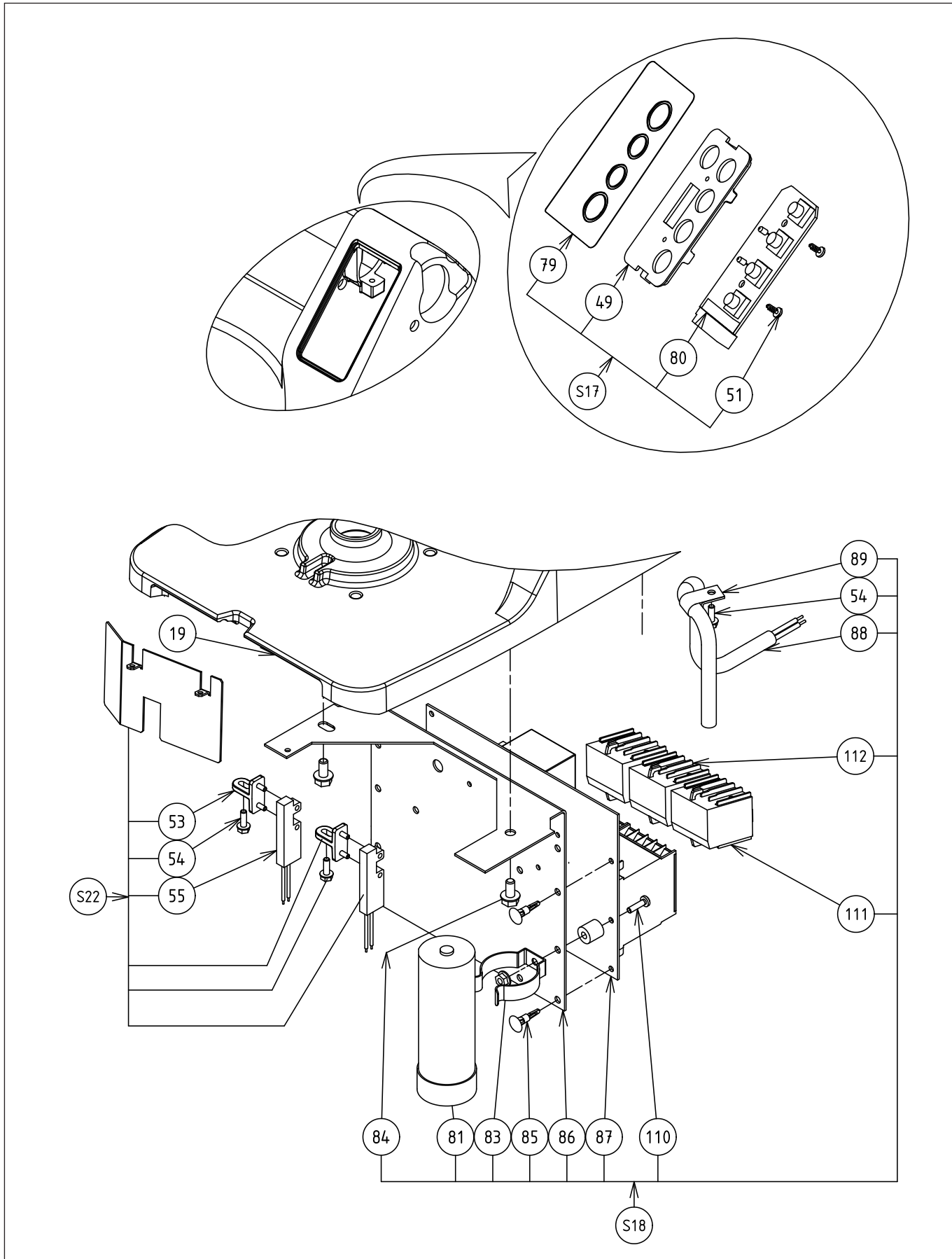


Pos.	Code	Description	V	W&T	Ref.	Notes	S/N break
8	0D7860	G06 5x25 pin (set x 10)					
9	0D5997	Shaft assembly		X			
10	0D5419	Deflector		X			
11	0KI998	G02 6x24 pin (set x 10)		X			
24	0D0571	28x40x7 lip seal (set x 5)					
25	0D1017	M6x16 TRL screw (set x 10)					
26	0D5144	O-ring (set x 5)		X			
S5	0D7938	Single phase motor 1 speed 208/240-50Hz- 0.75Kw K45	X			750W	
S5	0D7939	Three phase motor 2 speed 380/440-50/60Hz- 0.9Kw K45	X			900W	
S5	0D7940	Three phase motor 2 speed 380/440-50/60Hz- 1Kw K55	X			1000W	
S5	0D7941	Three phase motor 2 speed 380/440-50/60Hz- 1.2Kw K70	X			1200W	
S5	0D7942	Motor Variable speed -1Kw K45	X		L	1000W	
S5	0D7943	Motor Variable speed -1.3Kw K55	X		M	1300W	
S5	0D7944	Motor Variable speed -1.5Kw K70	X		N	1500W	
27	0D5592	9x14x3 grommet (set x 10)		X			
28	0D5032	TRL M 4x12 (set x 10) CB			K		
28	0D7990	Nut HU M 4 (set x 10) CB			K		
29	0D1248	Ventillation plate CB			K		
30	0D6754	M 4x12 screw (set x 10)					
31	0D0503	Nut HU M6 (set x 10)					
32	0D2870	Washer CSL 6 (set x 10)					
34	0D7136	Pad assembly (set x 6)		X			
35	0D3039	M6x40 TC screw (set x 10)					
S6	0D7945	Cross-menber assembly		X			
S7	0D7946	Straight casing assembly CE					
S7	0DF035	Straight casing assembly CB			K		

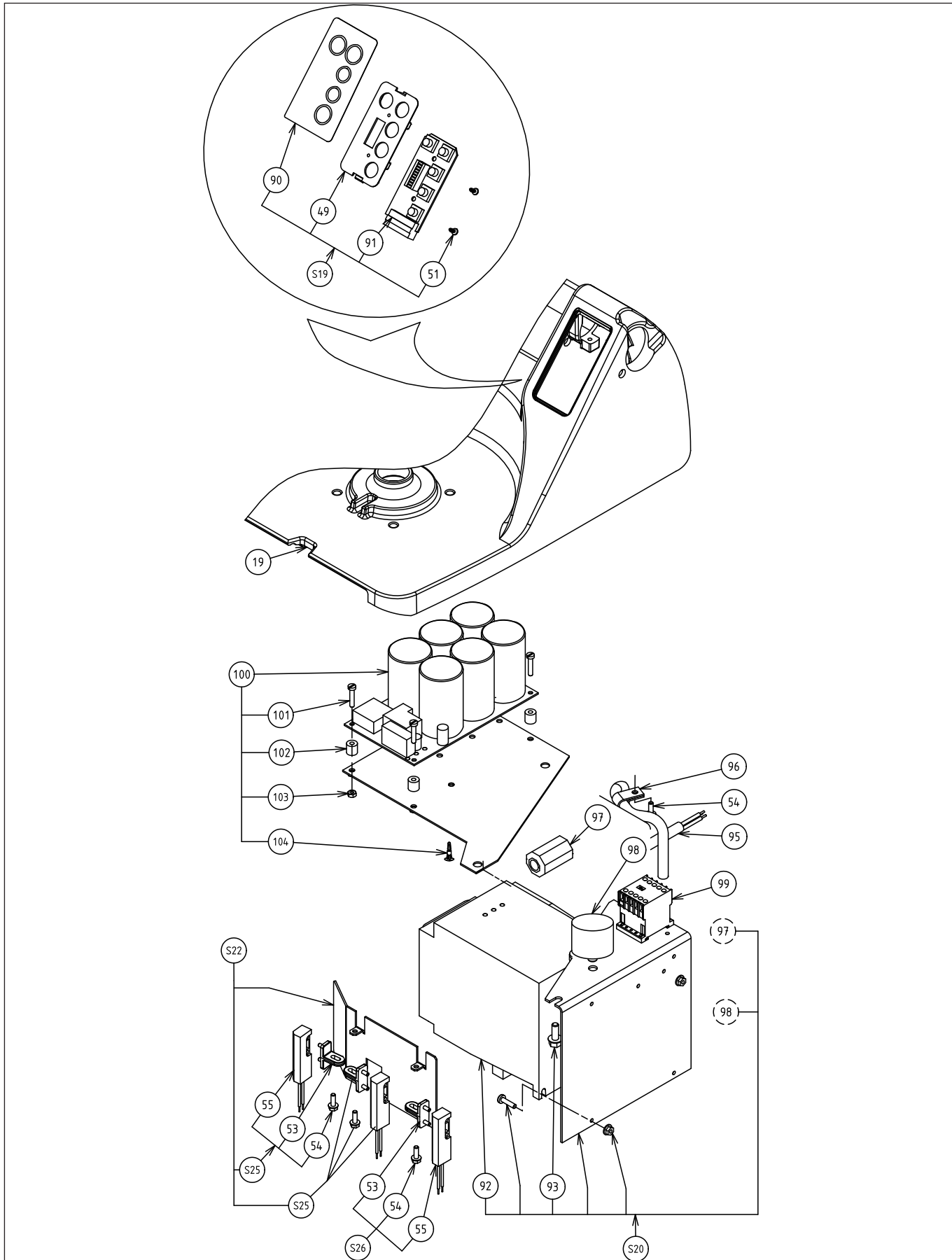


Pos.	Code	Description	V	W&T	Ref.	Notes	S/N break
37	0D5439	Lid clamp handle	X				
38	0D5441	Handle					
39	0D5442	6p concave screw cover (set x 10)					
40	0D2108	M5x10 TCHC screw (set x 15)					
42	653875	4.5-litres smooth rotor		X	L		
42	653876	4.5-litres micro-toothed rotor		X	L		
42	653878	5-litres smooth rotor		X	M		
42	653879	5-litres micro-toothed rotor		X	M		
42	653881	7-litres smooth rotor		X	N		
42	653874	7-litres micro-toothed rotor		X	N		
43	0D5490	Lid seal		X			
44	0D5491	4.5/5.5-litres lid	X		L;M		
44	0D5492	7-litres lid	X		N		
45	0D7973	M3x10 F screw (set x 10)					
47	0D1054	Plug (set x 4)		X			
S8	0D5493	K45 complete bowl lid scraper		X	L		
S8	0D5494	K55/K70 complete bowl lid scraper		X	M;N		
S9	0D7947	Lid clamp handle assembly	X				
S10	0D5496	Bowl handle assembly		X			
S11	653589	Complete 4.5-litres bowl	X		L		
S11	653590	Complete 5.5-litres bowl	X		M		
S11	653593	Complete 7-litres bowl	X		N		
S12	0D7983	Complete 4.5/5.5-litres lid	X		L;M		
S12	0D7984	Complete 7-litres lid	X		N		

Pos.	Code	Description	V	W&T	Ref.	Notes	S/N break
19	0D5429	Body CE					
19	0DF047	Body CB			K		
48	0DF099	K45 1-sp control panel plate		X	L	750W	
49	0D5515	Control card support					
50	0D7987	Power/On/Off control card		X	L		
51	0D2918	1442 K30/8 PTWN screw (set x 10)					
53	0D5517	Detector support					
54	0D6754	M 4x12 screw (set x 10)					
55	0D6626	Proximity detector	X				
56	0D0551	M6x12 Taptite screw (set x 10)					
57	0D3590	HU M8 ring nut (set x 10)					
58	0H1044	20 mf running capacitor	X				
59	0D6438	Spring clip					
60	0D2848	Printed circuit fixing spacer (set x 6)	X				
61	0D5518	Printed circuit component support					
62	0D7950	Single phase power card	X				
63	0KQ203	115 mf start capacitor	X				
64	0D7401	Resistance	X				
65	0D7436	Starter relay 230v	X				
66	0D7951	Single phase power supply lead assembly	X		O		
66	0D8006	Single phase power supply lead UK SASO	X		I		
67	0D7969	Tie (set x 10)		X			
68	0D5135	Terminal bar (set x 5)	X				
69	0D7993	Disjonctor 10A	X				
S14	0D5519	Complete K 45 1-sp control card	X				
S15	0D5542	Complete PSA support (clip holder)	X				
S16	0D7978	Complete 1 v single phase K45 750W circuit board	X				



Pos.	Code	Description	V	W&T	Ref.	Notes	S/N break
19	0D5429	Body CE					
19	0DF047	Body CB			K		
49	0D5515	Control card support					
51	0D2918	1442 K30/8 PTWN screw (set x 10)					
53	0D5517	Detector support					
54	0D6754	M4x12 screw (set x 10)					
55	0D6626	Proximity detector	X				
79	0DF158	2-speed control panel plate		X	A		
79	0DF159	2-speed control panel plate		X	B		
80	0D5600	2-speed control card	X		G		
81	0H1034	200 mf brake capacitor	X		G		
83	0D6438	Spring clip					
84	0D6708	M6x16 Taptite screw (set x 10)					
85	0D2848	Printed circuit fixing spacer (set x 6)	X				
86	0D5518	Printed circuit component support					
87	0D7952	2-speed power card	X		G		
88	0D7963	Three-phase power supply lead assembly	X		G		
89	0D7969	Tie (set x 10)		X			
110	0D6755	Screw TC M4x20 (set x 10)					
110	0D6441	Spacer (set x 10)					
110	0D6756	Nut HU M4					
111	0D7953	Additive contact	X		G		
112	0U0486	Additive contact	X		G		
S17	0DF173	Complete 2-speed control card	X				
S18	0D7954	Complete 2-sp. K45/K55/K70 circuit board	X		G		
S22	0D6439	Complete PSA support	X				



Pos.	Code	Description	V	W&T	Ref.	Notes	S/N break
19	0D5429	Body CE					
19	0DF047	Body CB			K		
49	0D5515	Control card support					
51	0D2918	1442 K30/8 PTWN screw (set x 10)					
53	0D5517	Detector support					
54	0D6754	M4x12 screw (set x 10)					
55	0D6626	Proximity detector	X				
90	0DF161	Variable Speed control panel plate		X	B		
90	0DF100	Variable speed control panel plate		X	A		
91	0D5546	Power/On/off/+/- control card	X				
92	0D7976	Variable speed unit	X				
93	0D0551	M6x12 Taptite screw (set x 10)					
95	0D6135	Single phase power supply lead assembly CE	X		O		
95	0D7979	Single phase power supply lead assembly UK	X		H		
95	0D7980	Single phase power supply lead assembly AUS	X		J		
95	0D7995	Single phase power supply assembly USA	X		F		
95		JAPAN	X		R		
96	0D7969	Tie (set x 10)		X			
97	0D7949	Ferrite	X		E		
98	0D7948	Inductance	X		E		
99	0D7994	Contacto 9A CB	X		E		
100	0D6884	Voltage doubler packed USA	X		F		up to 2022 38
100	0DF040	Voltage doubler packed USA	X		F		from 2022 39
101	0D6755	M4x20 screw (set x10)			F		
102	0D6441	Spacer 4x10x10 (set x 10)			F		
103	0D6756	HU M4 nut (set x 10)			F		
104	0D2848	Circuit fixing spacer (set x 6)			F		
S19	0D162	Complete Variable Speed control card	X		A		
S19	0DF163	Complete Variable Speed control card	X		B		
S20	0D7977	Complete variable speed unit support	X				
S22	0D6439	Comple PSA support	X				
S25	0D5543	Complete PSA support (lug holder)	X				
S26	0D7982	Complete PSA support	X				

CE