

TRS / TR210

PNC	Model	Modules	Description	Note
600457	TR210Y1V	B;C;E;S	VEGETABLE SLICER - AUTOMATIC HOPPER - 1 SPEED - 500W	
600411	TR210Y1V	A;C;E;S	VEGETABLE SLICER - AUTOMATIC HOPPER - 1 SPEED - 500W	
600460	TR210YVVT	B;C;G;S	VEGETABLE SLICER - AUTOMATIC HOPPER - TROLLEY - VARIABLE SPEED - 500W	replace by CC0H6B
600414	TR210YVVT	A;C;G;S	VEGETABLE SLICER - AUTOMATIC HOPPER - VARIABLE SPEED - 500W	replace by CC0H68
600415	TR210YVV	A;C;G;P;S	VEGETABLE SLICER - AUTOMATIC HOPPER - VARIABLE SPEED - 500W	
600416	TR210YTL	A;C;G;Q;S	VEGETABLE SLICER - AUTOMATIC HOPPER - MANUAL FEED HOPPER - TROLLEY - VARIABLE SPEED - 500W	replace by CC0H69
600459	TR210Y2VT	B;C;F;K	VEGETABLE SLICER - AUTOMATIC HOPPER - TROLLEY - 2 SPEED - 750W	replace by CC0H6A
600412	TR210Y2V	A;C;F;K;P	VEGETABLE SLICER - AUTOMATIC HOPPER - 2 SPEED - 750W	
600413	TR2102VT	A;C;F;K	VEGETABLE SLICER - AUTOMATIC HOPPER - TROLLEY- 2 SPEED - 750W	replace by CC0H67
600458	TR210Y2V	B;C;F;K;P	VEGETABLE SLICER - AUTOMATIC HOPPER - 2 SPEED - 750W	
602231	TR210	A;C;F;K	VEGETABLE SLICER - 2 SPEED - 750W - MOTOR BLOCK ONLY	
602300	TR210YVV	B;C;G;P;S	VEGETABLE SLICER - AUTOMATIC HOPPER - VARIABLE SPEED - 500W	
602232	DTR210YTH	A;C;F;K;Q	VEGETABLE SLICER - MANUAL HOPPER - TROLLEY - 2 SPEED - 750W	
600464	TRS	B;D;E;S	VEGETABLE SLICER - 1 SPEED - 500W	
600417	TRS	A;D;E;L;S	VEGETABLE SLICER - 1 SPEED - 500W - AUSTRALIA	
600418	TRS	A;D;E;J	VEGETABLE SLICER - 1 SPEED - 370W	
600419	TRS	A;D;E;S	VEGETABLE SLICER - 1 SPEED - 500W	
600420	TRS	A;D;E;O;S	VEGETABLE SLICER - 1 SPEED - 500W - CB APPROVED	
600426	TRS	A;D;E;M;S	VEGETABLE SLICER - 1 SPEED - 500W - UK PLUG	
600463	TRS	B;D;E;S	VEGETABLE SLICER - 1 SPEED - 500W - RUSSIA	
600465	TRS	B;D;E;J	VEGETABLE SLICER - 1 SPEED - 370W	
600466	TRS	B;D;E;O;S	VEGETABLE SLICER - 1 SPEED - 500W - CB APPROVED	
600469	TRS	B;D;E;M;S	VEGETABLE SLICER - 1 SPEED - 500W - UK PLUG	
600470	TRS	B;D;E;L;S	VEGETABLE SLICER - 1 SPEED - 500W - AUSTRALIA	
600471	TRS	B;D;H;O;S	VEGETABLE SLICER - 1 SPEED - 500W - CB APPROVED	
600474	TRS	B;D;I;J	VEGETABLE SLICER - 1 SPEED - 370W - USA	
600476	TRS	B;D;I;K	VEGETABLE SLICER - 1 SPEED - 750W - USA	
600539	TRS	B;D;H;N;O; S	VEGETABLE SLICER - 1 SPEED - 500W - CB - UK SASO PLUG	
600472	TRS	B;D;G;S	VEGETABLE SLICER - VARIABLE SPEED - 500W	
600424	TRS	A;D;G;S	VEGETABLE SLICER - VARIABLE SPEED - 500W	
600425	TRS	A;D;G;O;S	VEGETABLE SLICER - VARIABLE SPEED - 500W - CB APPROVED	
600461	TRS	B;D;G;L;S	VEGETABLE SLICER - VARIABLE SPEED - 500W - AUSTRALIA	

TRS / TR210

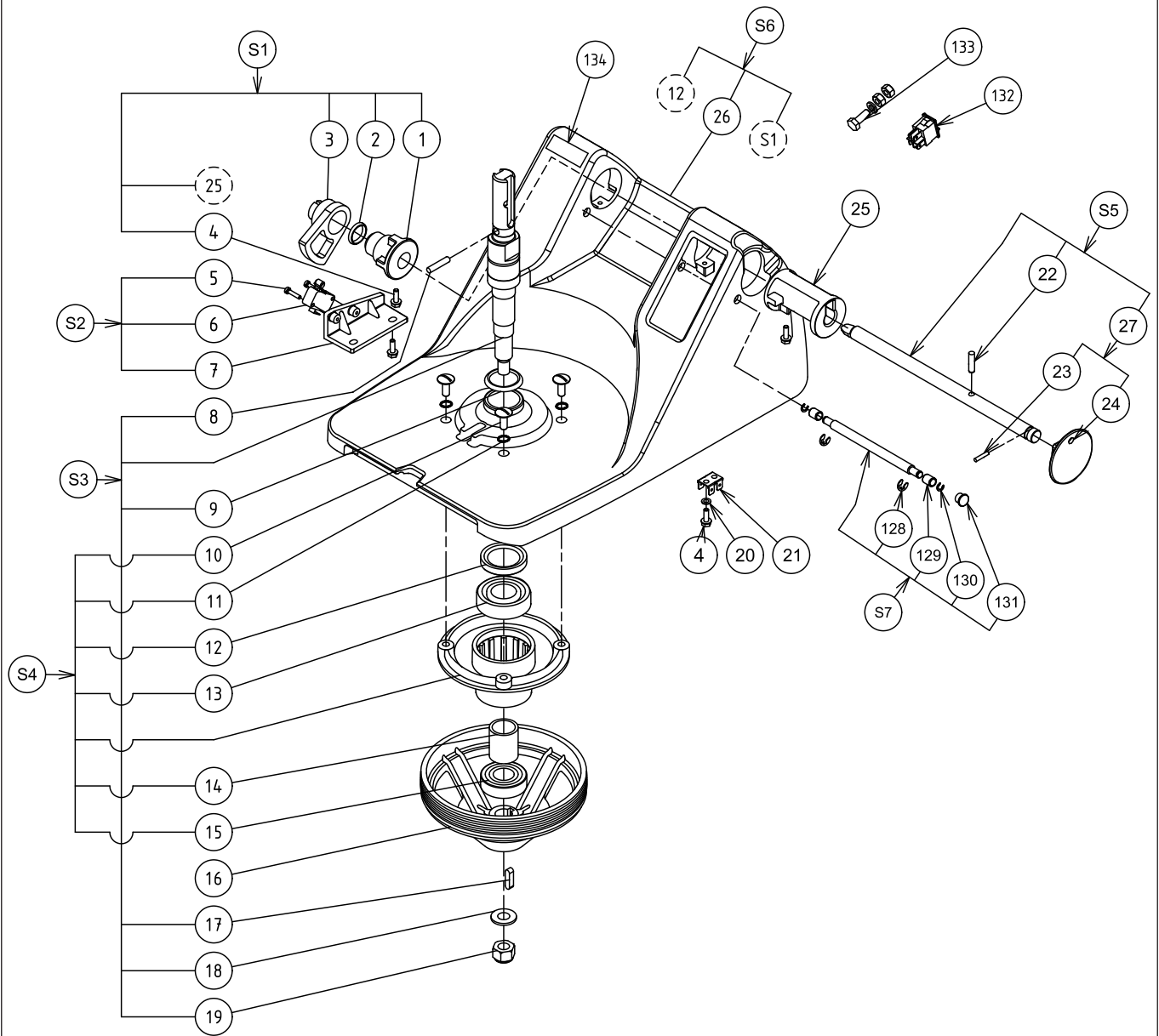
PNC	Model	Modules	Description	Note
600473	TRS	B;D;G;O;S	VEGETABLE SLICER - VARIABLE SPEED - 500W - CB APPROVED	
600531	TRS	A;D;G;N;O;S	VEGETABLE SLICER - VARIABLE SPEED - 500W - CB APPROVED - UK SASO PLUG	
600540	TRS	B;D;G;N;O;S	VEGETABLE SLICER - VARIABLE SPEED - 500W - CB APPROVED - UK SASO PLUG	
600467	TRS	B;D;R;S	VEGETABLE SLICER - 1 SPEED - 500W	
600421	TRS	A;D;R;S	VEGETABLE SLICER - 1 SPEED - 500W	
600422	TRS	A;D;O;R	VEGETABLE SLICER - 1 SPEED - 500W - CB APPROVED	
600468	TRS	B;D;F;K	VEGETABLE SLICER - 2 SPEED - 750W	
600423	TRS	A;D;F;K	VEGETABLE SLICER - 2 SPEED - 750W	
602239	TRS	A;D;I;J;T	VEGETABLE SLICER - 1 SPEED - 370W	
602240	TRS	A;D;I;K;T	VEGETABLE SLICER - 1 SPEED - 750W	

TRS / TR210**Modules classifications**

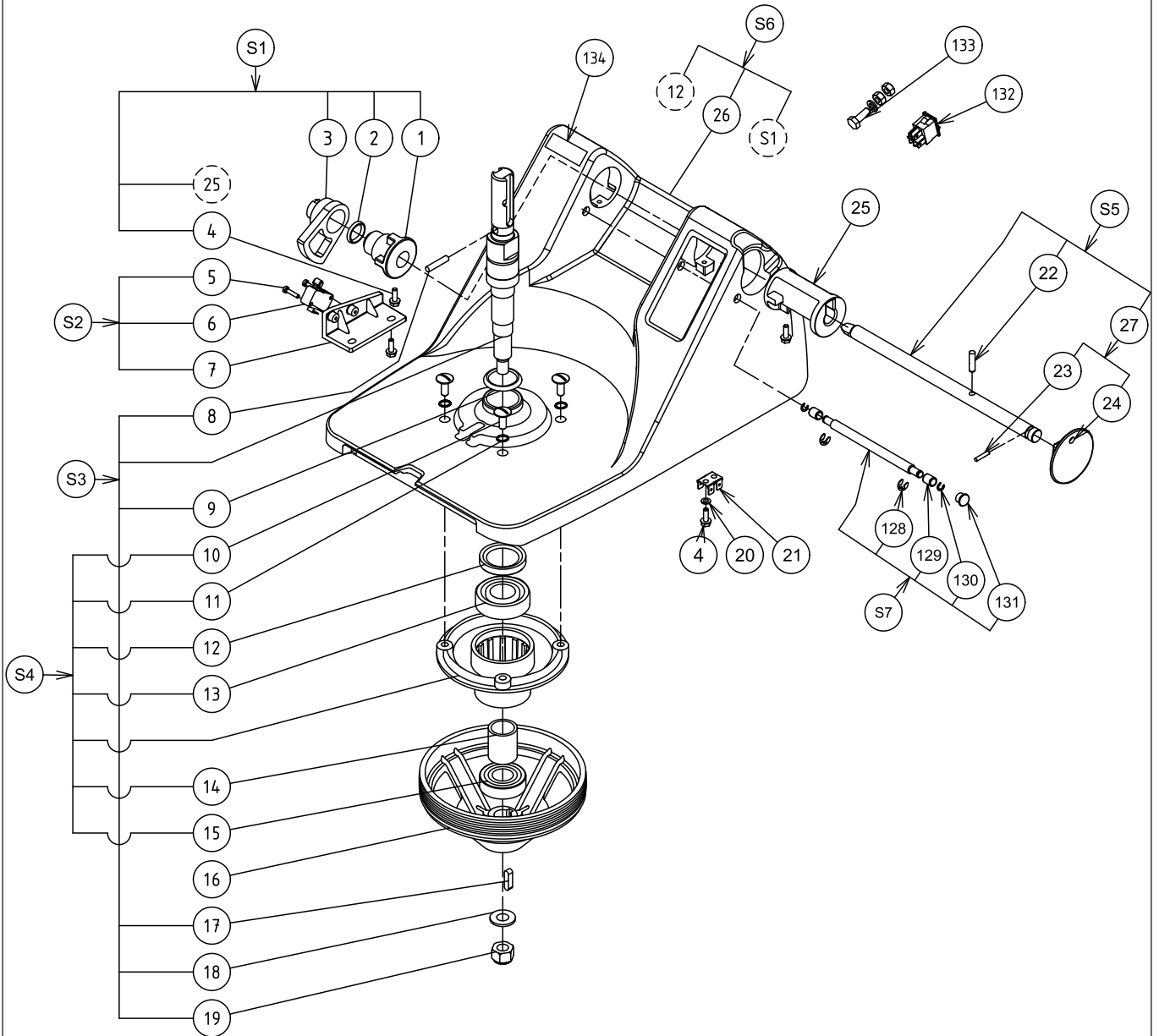
A	DITO SAMA
B	ELECTROLUX PROFESSIONAL
C	TR210
D	TRS
E	I - 220-240V 50HZ
F	III - 380-440V 50/60 HZ
G	I - 200-240V 50/60 HZ
H	I - 208-230V 60 HZ
I	I - 100-120V 60 HZ USA
J	370W
K	750W
L	AUSTRALIE PLUG
M	UK PLUG
N	UK SASO PLUG
O	MAIN SWITCH
P	WITHOUT TABLE
Q	HOPPER LEVER
R	III - 200-240/380-440V 50/60HZ
S	500W
T	DITO SAMA USA

TRS / TR210

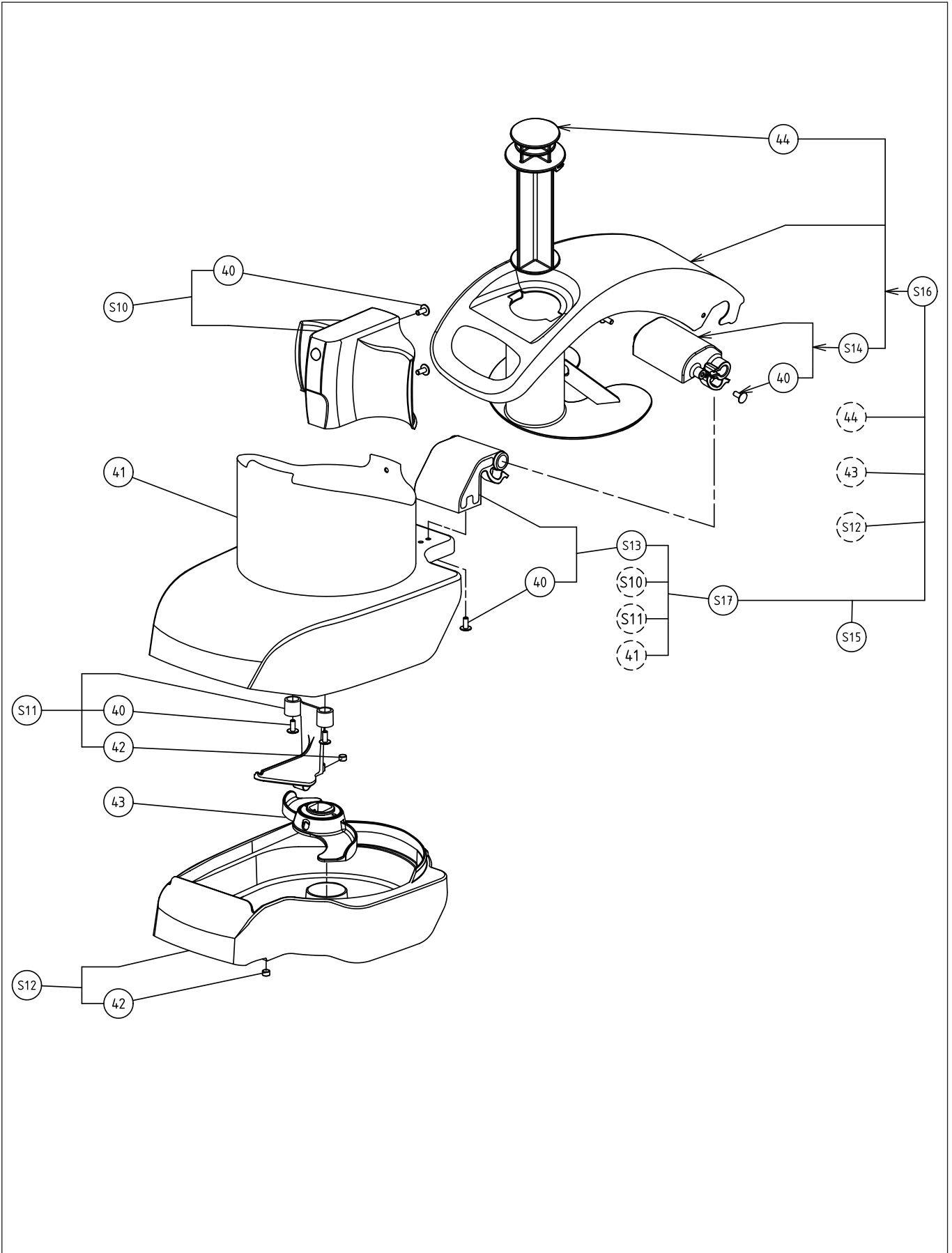
Pag.	Index
5	Exploded view - Body
6	Parts list - Body
7	Exploded view - Body
8	Parts list - Body
9	Exploded view - Hopper
10	Parts list - Hopper
11	Exploded view - Automatic Hopper
12	Parts list - Automatic Hopper
13	Exploded view - Motor
14	Parts list - Motor
15	Exploded view - Casing TR2S
16	Parts list - Casing TR2S
17	Exploded view - Casing TR210
18	Parts list - Casing TR210
19	Exploded view - TR 1-sp. single phase circuit board-Control
20	Parts list - TR 1-sp. single phase circuit board-Control
21	Exploded view - TR 1-sp. single phase circuit board-Control U.S.
22	Parts list - TR 1-sp. single phase circuit board-Control U.S.
23	Exploded view -TR 1-sp. 3-ph. Circuit board-Control
24	Parts list - TR 1-sp. 3-ph. Circuit board-Control
25	Exploded view - TR 2-sp three-ph. Circuit board-Control
26	Parts list - TR 2-sp three-ph. Circuit board-Control
27	Exploded view - TR Variable speed Circuit board-Control
28	Parts list - TR Variable speed Circuit board-Control



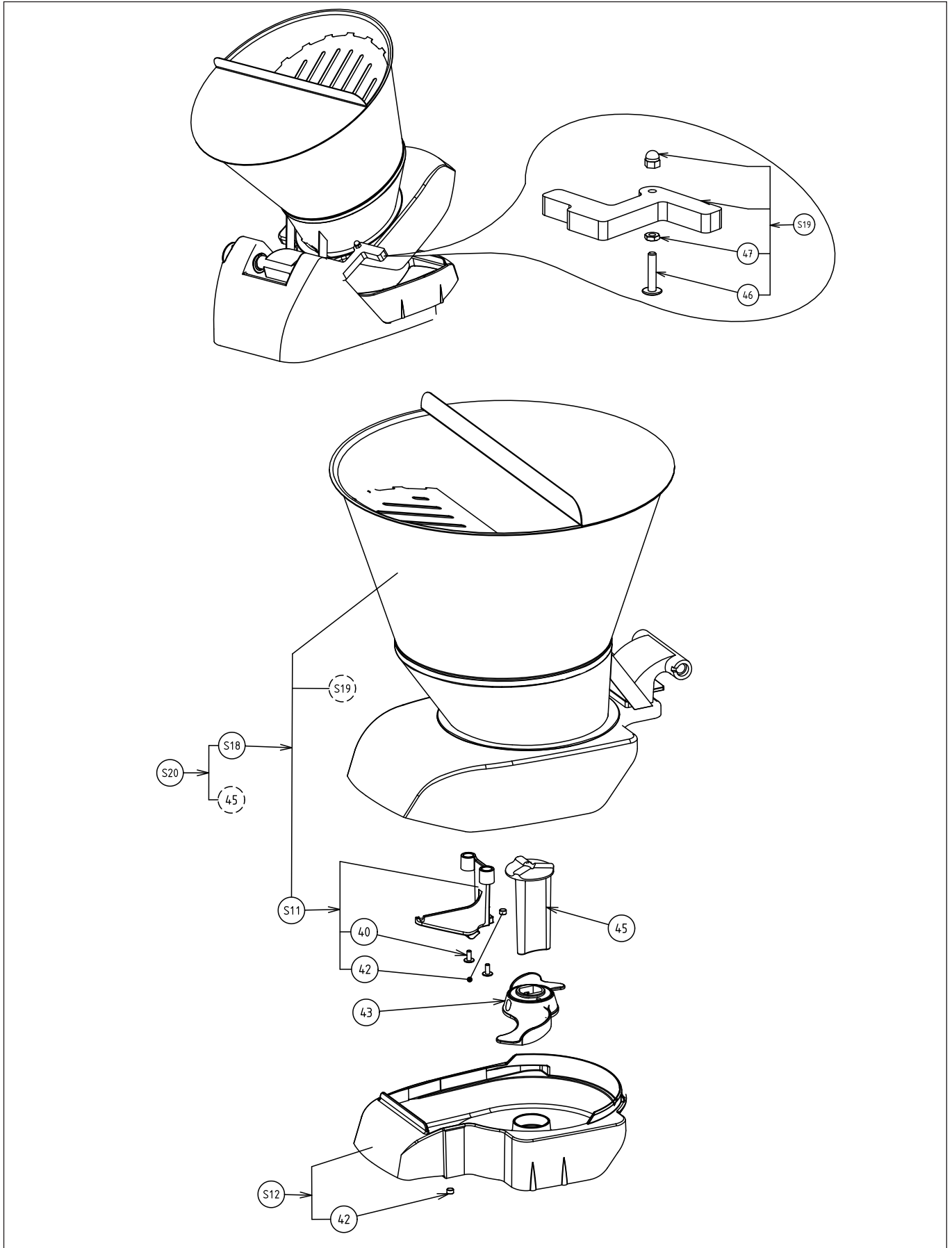
Pos.	Code	Description	V	W&T	Ref.	Notes	S/N break
1	0D5412	Sleeve					
2	0D2662	15.54x2.62 O-ring (set x 10)		X			
3	0D5413	Cam					
4	0D6754	M4x12 screw (set x 10)					
5	0D5414	1412 K30/16 PTWN screw (set x 10)					
6	0D6620	Wafer micro-switch	X				
7	0D5415	Micro-switch support					
8	0D7860	G06 5x25 pin (set x 10)					
9	0D5419	Deflector		X			
10	0U0237	M6x20 TRL screw (set x 10)					
11	0D5144	O-ring (set x 5)		X			
12	0D5534	28x40x7 lip seal (set x 5)		X			
13	0KQ395	6204 DDU bearing		X			
14	0D5596	20x25x30 spacer					
15	0D8256	6203 2RS bearing		X			
16	0D2093	Driven pulley		X			
17	0HD008	5x5x20 A key (set x 5)					
18	0D5597	M10x22x2 washer (set x 10)					
19	0U0651	M10 lock washer (set x 10)					
20	0D0520	4 ACZN tooth washer (set x 10)					
21	0D3567	Brass earth cable terminal (set x 5)					
22	0D0396	G05 5x20 pin (set x 10)					
23	0KQ479	G01 3x16 pin (set x 10)					
24	0D5427	Button		X			
25	0D5428	Guide					
26	0D5429	Body CE					
26	0DF047	Body CB			O		
27	0D7492	Button assembly		X			
128	0D7859	Circlip 8E (set x 10)					
129	0D7857	Bearing (set x 10)		X			
130	0D7858	Circlip 6E (set x 10)					
131	0D2189	Cap (set x 10)					
132	0D7991	Switch assembly CB	X		O		
132	0D7992	Hood switch CB		X	O		
133	0D0499	M6x16 screw (set x 10) CB			O		
133	0D0503	Nut HU M6 (set x 10) CB			O		



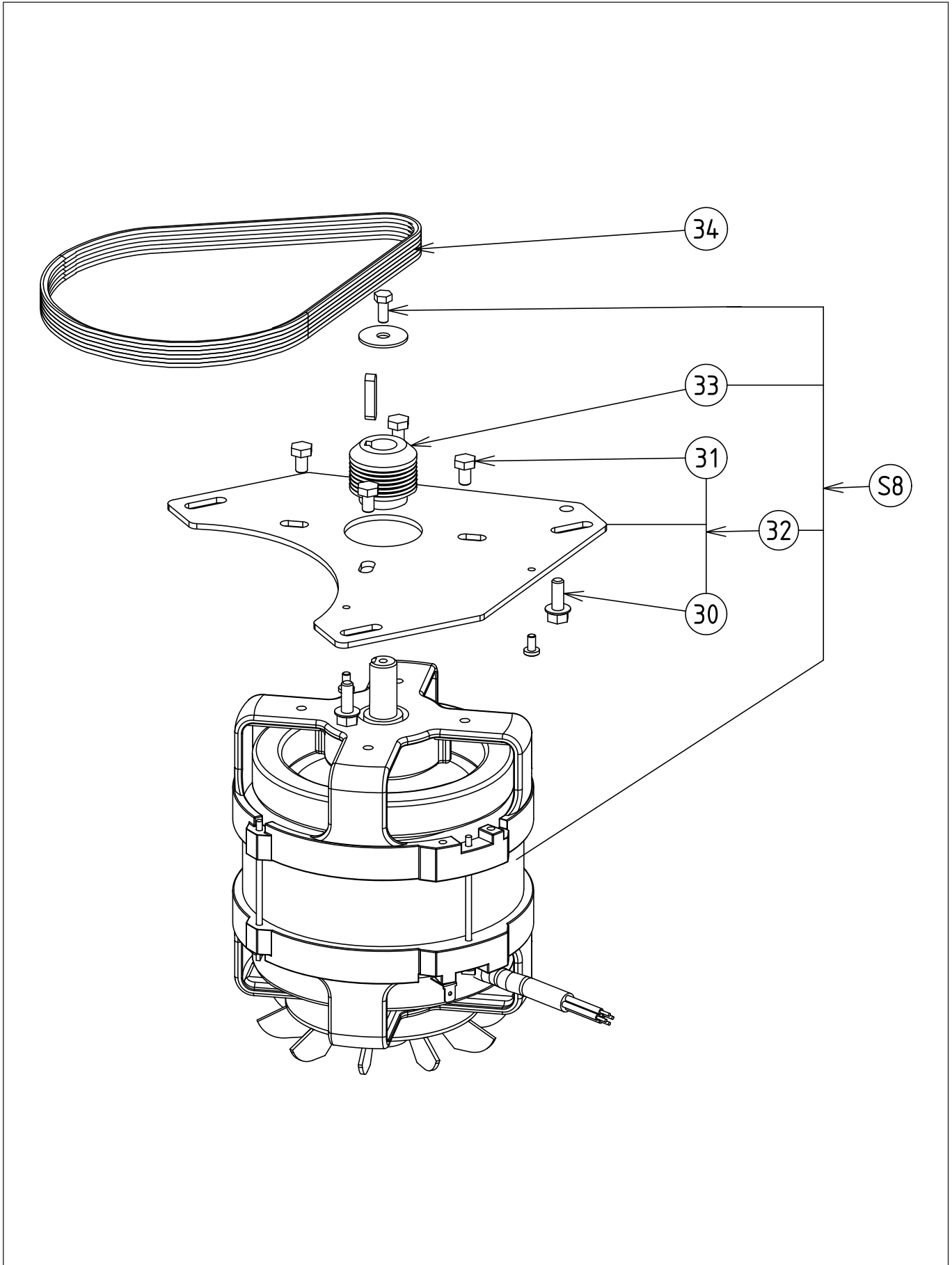
Pos.	Code	Description	V	W&T	Ref.	Notes	S/N break
134	0D7237	Label set Electrolux			B		
134	0DF096	Label set Dito Sama			A		
S1	0D5430	Switch assembly					
S2	0D5431	Micro-switch support assembly					
S3	0D5569	TR shaft assembly		X	D		
S3	0D7681	TR210 Shaft assembly		X	C		
S4	0D5570	Bearing housing assembly		X			
S5	0D5432	Spindle assembly		X			
S6	0D5433	Body assembly CE					
S6	0DF034	Body assembly CB			O		
S7	0D7856	Assembly pin					



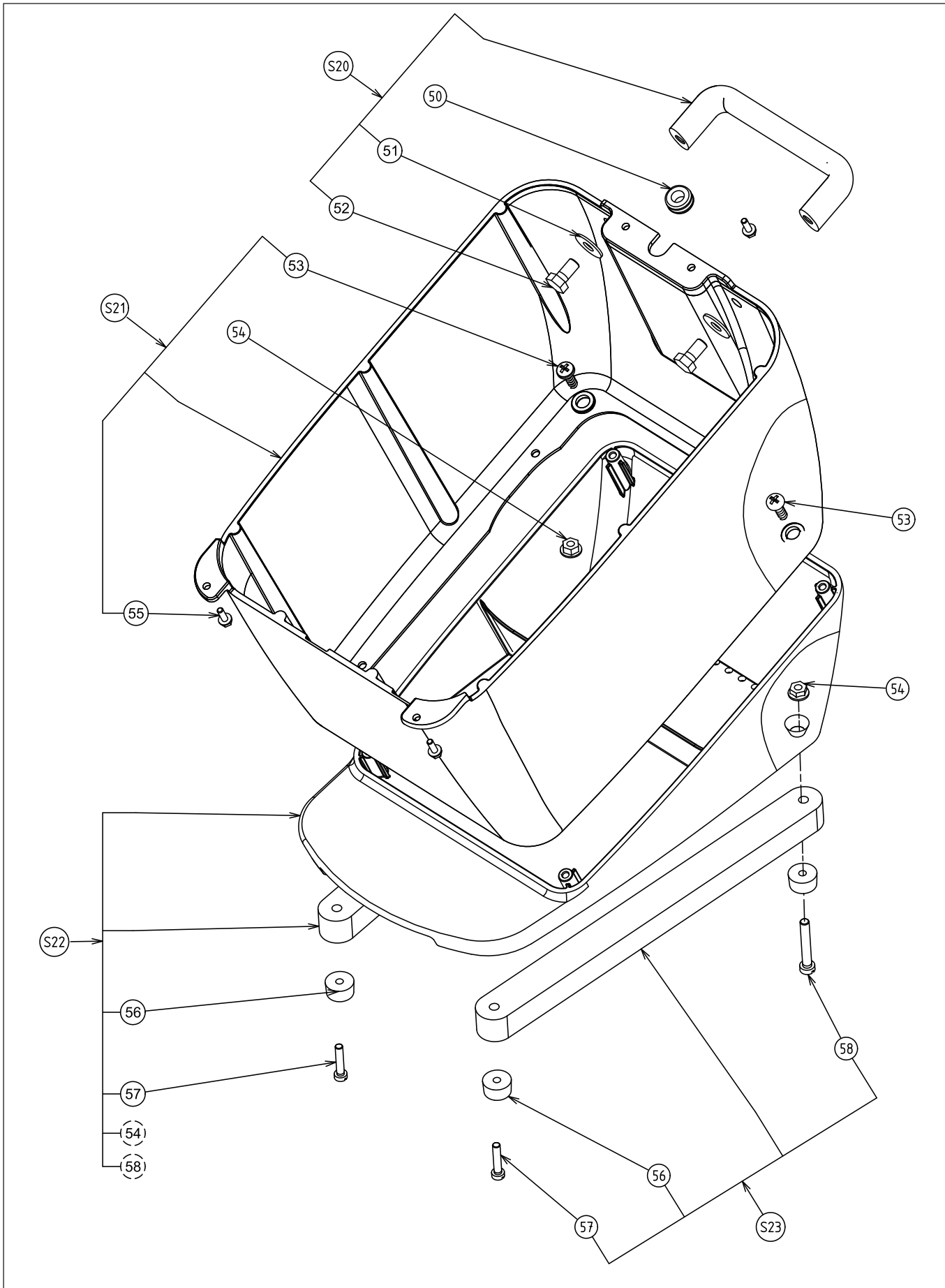
Pos.	Code	Description	V	W&T	Ref.	Notes	S/N break
40	0U0666	M5x12 TRL screw (set x 10)					
41	0D6737	U TR standard hopper	X				
42	0D5334	8 x 5 NEODYMIUM magnet		X			
43	0D5554	Standard ejector	X				
44	0D7972	Pusher	X				
S10	0D5560	Shoe assembly		X			
S11	0D5561	Locking handle assembly		X			
S12	0D8020	Cutting chamber assembly	X				
S13	0D7933	Hopper hinge assembly		X			
S14	0D7935	Ram hinge assembly		X			
S15	0D8003	Complete hopper	X				
S16	0D8002	Complete ram	X				
S17	0D7934	Hopper assembly	X				



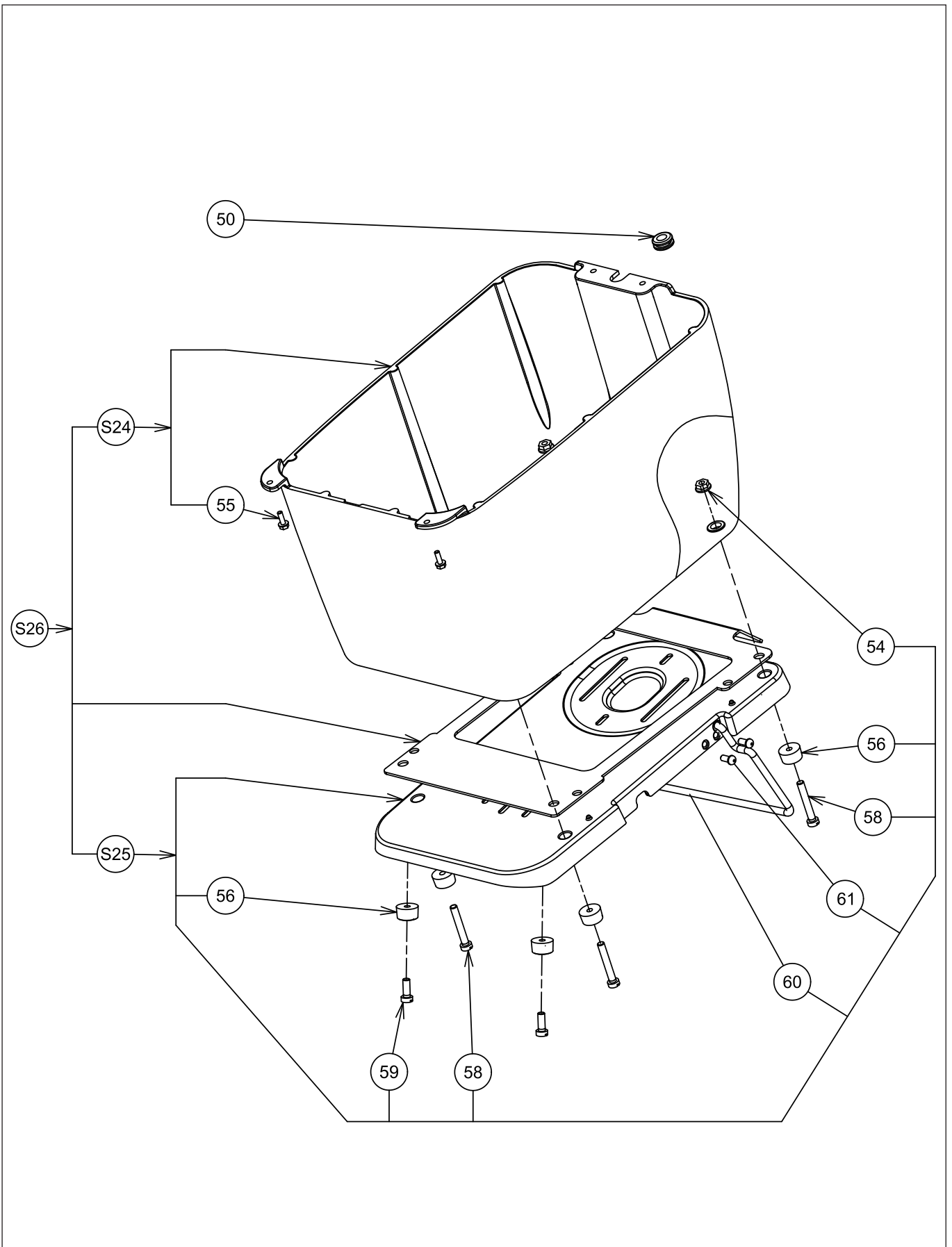
Pos.	Code	Description	V	W&T	Ref.	Notes	S/N break
40	0U0666	M5x12 TRL screw (set x 10)					
42	0D5334	8x5 NEODYNIUM Magnet		X			
43	0D5554	Ejector	X				
45	0D7679	Agitator	X		C		
46	0D0590	Nut HM6 (set x 10)					
47	0D6906	Screw TRL M6x30 (set x 10)					
S11	0D5561	Locking handle assembly		X			
S12	0D8020	Cutting chamber assembly	X				
S18	0D8009	Assembly automatic hopper	X		C		
S19	0D7985	Locking assembly		X	C		
S20	653884	Complete automatic hopper	X		C		



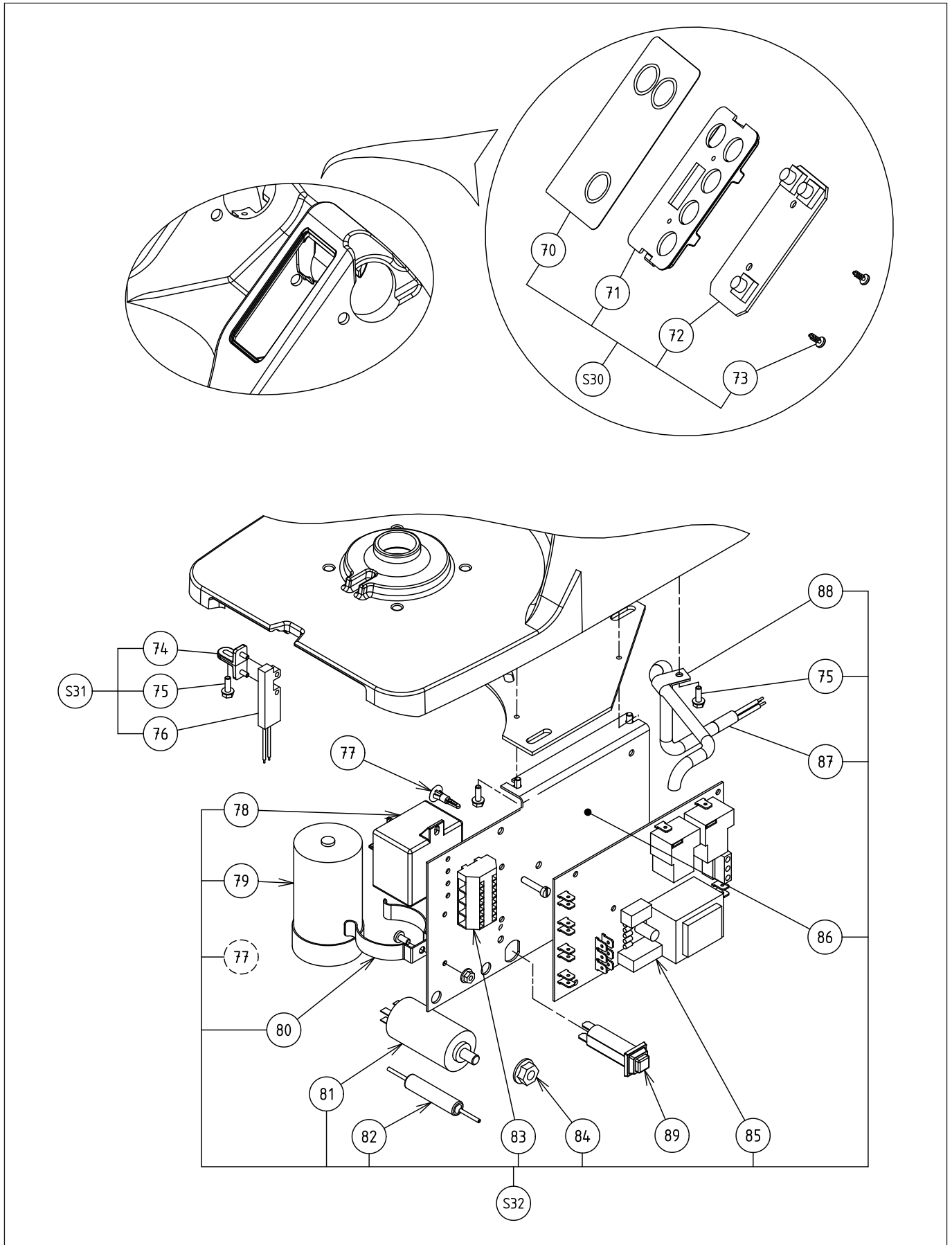
Pos.	Code	Description	V	W&T	Ref.	Notes	S/N break
30	0D6708	M6x16 Taptite screw (set x 10)					
31	0D0594	ScrewTH M6x10 Stainless Steel Set X10					
32	0D5598	Motor support assembly					
33	0KQ336	34.4 drive pulley		X			
34	033106	559 J6 -ribbed belt	X	X			
S8	0D7955	Single phase mot.1V 220V 50Hz 0.37KW STD	X		E;J		
S8	0D7956	Single phase mot.1V 220V 60Hz 0.5KW	X		H;O;S		
S8	0D7957	Single phase mot.1V 220-240V 50Hz 0.5KW	X		E;S		
S8	0D7928	Three phase mot.1V 200-240/380-440 50/60Hz 0.5Kw	X		R;S		
S8	0D7958	Three phase mot.2V 380-440 50/60Hz 0.75Kw STD	X		F;K		
S8	0D7959	Three phase Mot.VV 200-240 50/60Hz 0.5Kw	X		F;G;S		
S8	0D7997	Single ph.mot.1V 100-120V 50/60Hz 0.37KW USA	X		I;J		
S8	0D7998	Single ph.mot.1V 100-120V 50/60Hz 0.5KW USA	X		I;S		
S8	0D7999	Single phase mot.100-120V 50/60 0.75KW USA	X		I;K		



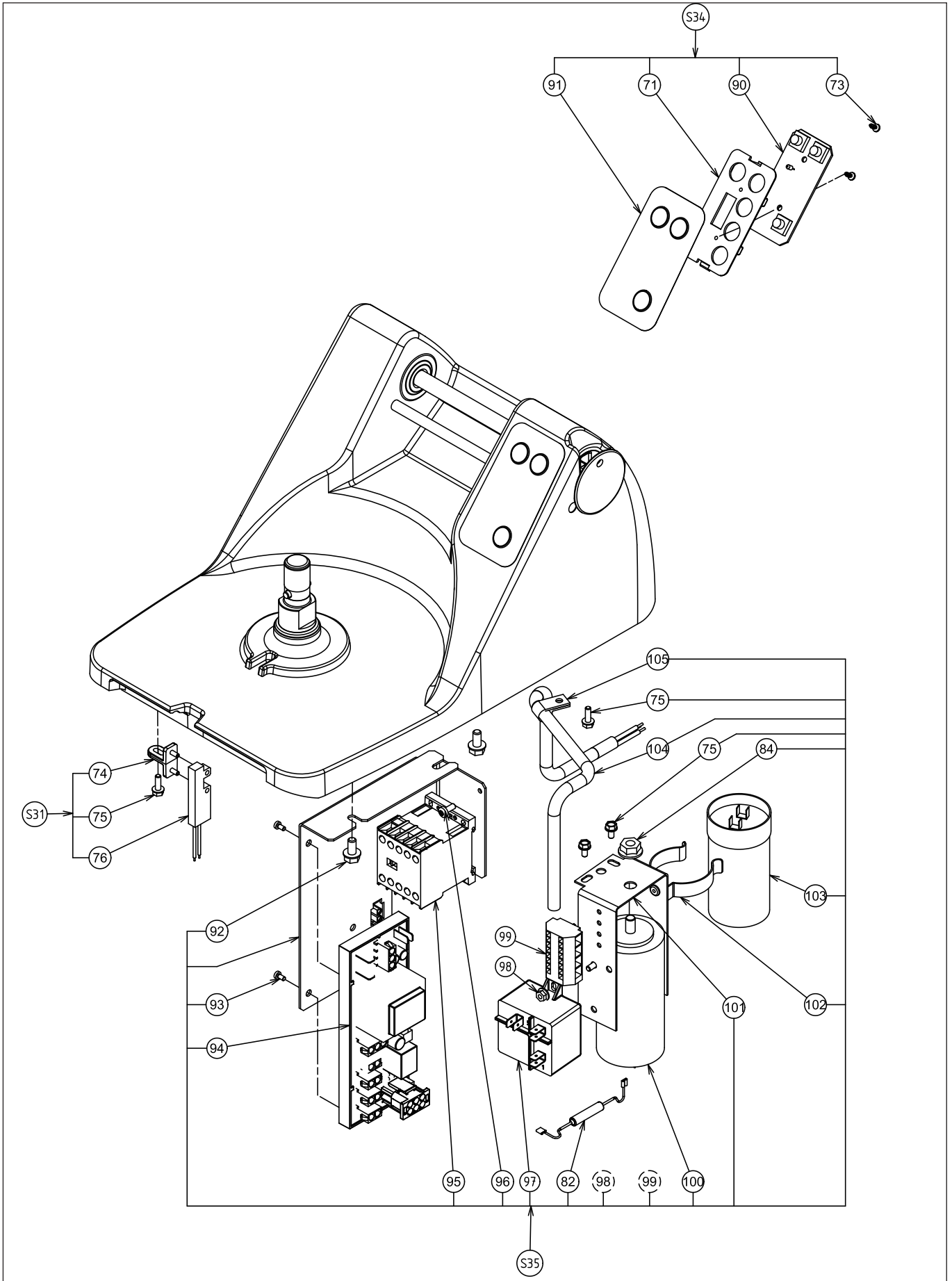
Pos.	Code	Description	V	W&T	Ref.	Notes	S/N break
50	0D6160	9x16x4 grommet (set x 5)		X			
51	0D0632	Washer (set x 10)			I		
52	0D0498	Screw M8x16 (set x 10)			I		
53	0D3208	6x20 TCB screw (set x 10)					
54	0D6782	Nut HU M6 (set x 10)					
55	0D6742	TH M4x12 screw (set x 10)					
56	0D7136	Pad assembly (set x 6)		X			
57	0D5133	TCL M5x25 screw (set x 10)					
58	0D3039	TC M6x40 screw (set x 10)					
S20	0D0900	Handle assembly		X	I		
S21	0D5566	TR casing assembly			D		
S21	0D7397	TR casing assembly			D;I		
S22	0D7960	Base cross member assembly		X	D;I		
S23	0D8027	Cross member assembly		X	D;I		



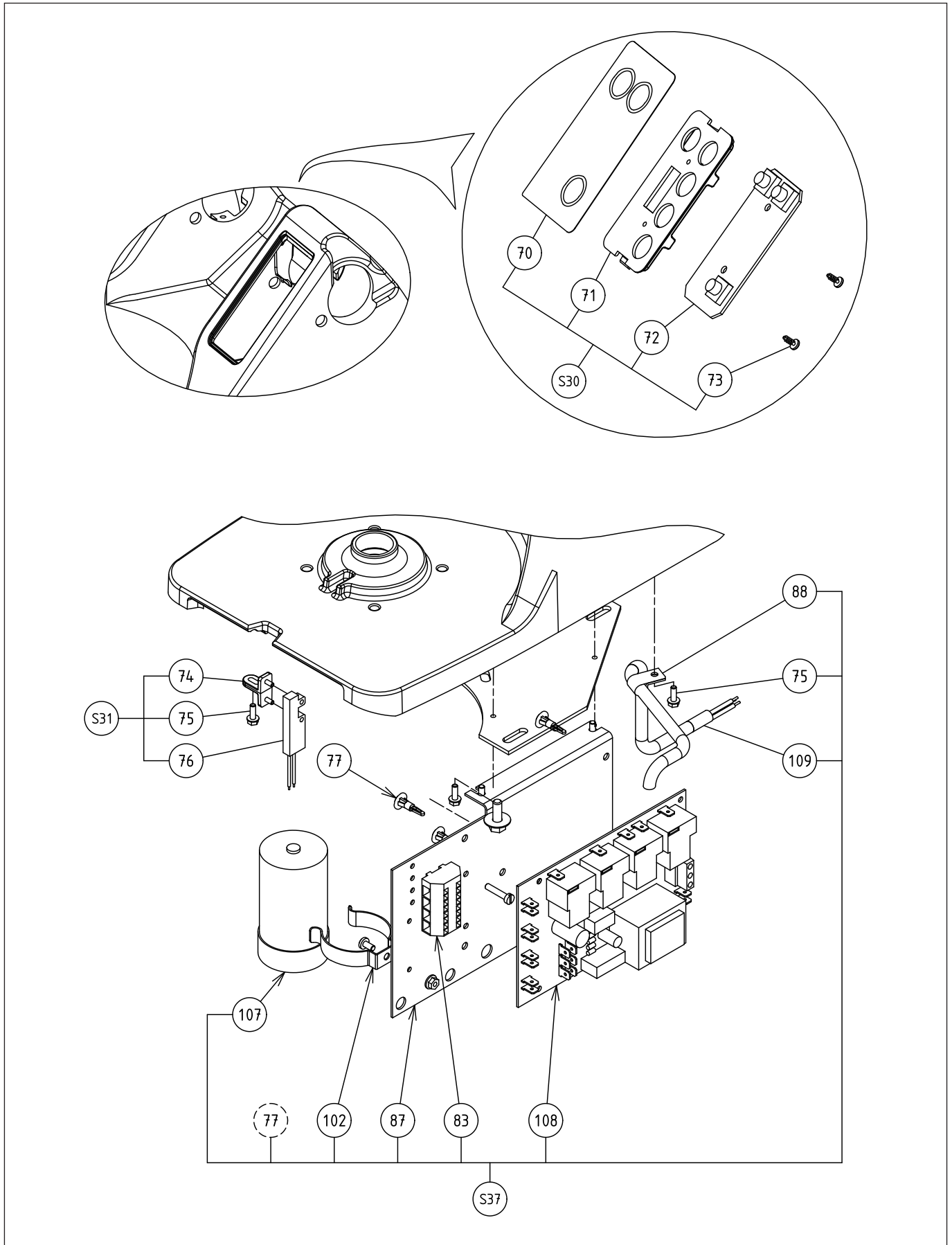
Pos.	Code	Description	V	W&T	Ref.	Notes	S/N break
50	0D6160	Grommet 9x16x4 (set x 5)		X			
54	0D6782	Nut HU 6 (set x 10)					
55	0D6754	screw M4x12 (set x 10)					
56	0D7136	Pad (set x 6)		X			
58	0D3039	TC screw M6x40 (set x 10)					
59	0D0615	TC screw M6x16 (set x 10)					
60	0D5549	Crutch					
61	0KQ699	Stop (set x 5)		X			
S24	0D5566	Right casing			C		
S25	0D7974	Complete reclining base			C		
S26	0D7686	Complete casing			C		



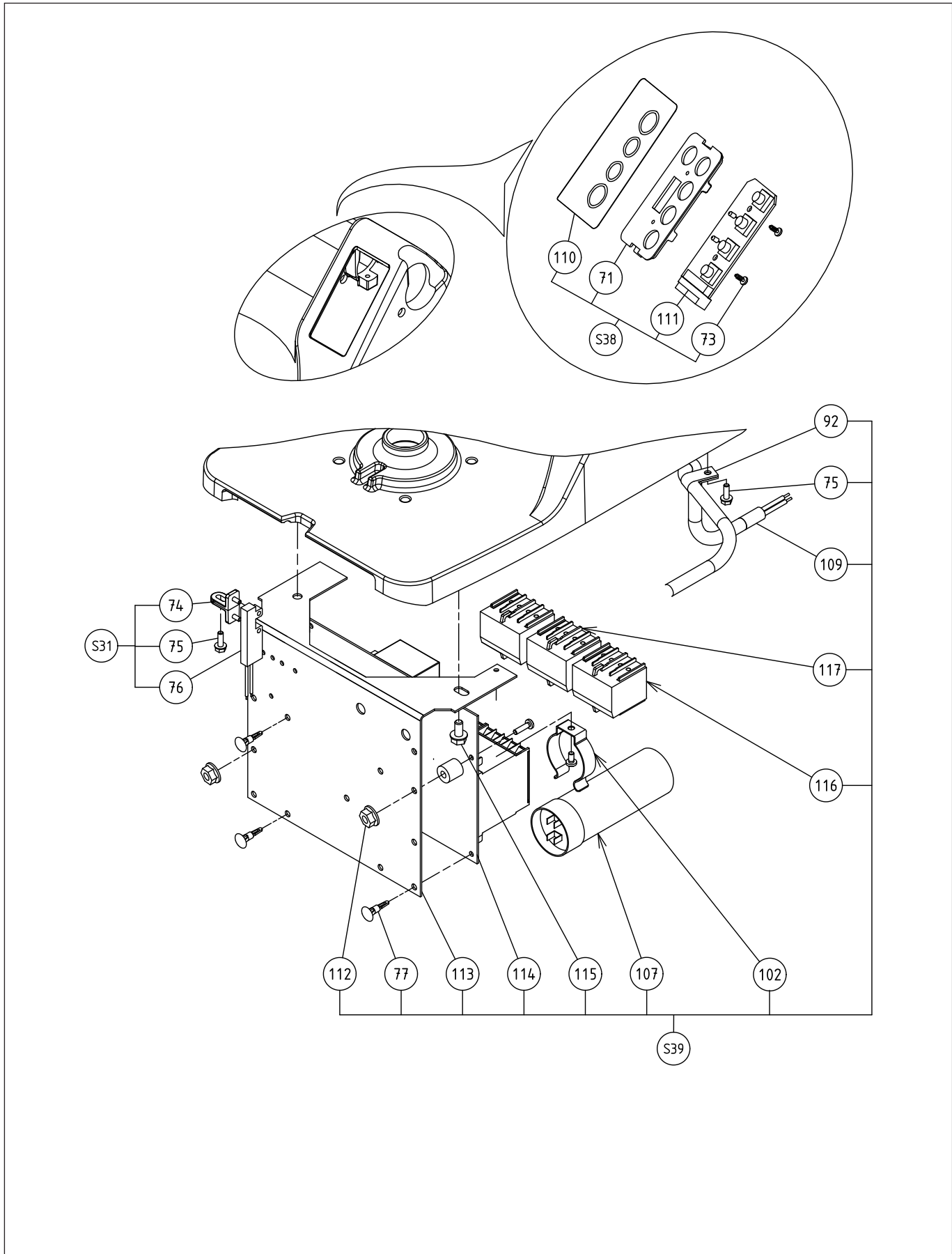
Pos.	Code	Description	V	W&T	Ref.	Notes	S/N break
70	0DF157	TR 1-speed control panel Elux		X	B		
70	0DF099	TR 1-speed control panel Dito		X	A		
71	0D5515	Control card support					
72	0D7987	Power/On/Off control card	X		E;H;J;R;S	1 speed	
73	0D2918	WN K30/8 PT screw (set x 10)					
74	0D5517	Safety device support					
75	0D6754	M4x12 screw (set x 10)					
76	0D6626	Proximity detector	X				
77	0D2848	Printed circuit fixing spacer (set x 6)	X				
78	0D7436	relais tension	X		E;H;J;S	1 speed	
79	0U0471	90 mf start capacitor	X		E;H;J;S	1 speed	
80	0U0242	Spring clip					
80	0D3429	M4x8 tapping screw (set x 10)					
80	0D7501	M4 HU nut (set x 10)					
81	0U0403	10 mf running capacitor	X		E;H;J;S	1 speed	
82	0D7401	Resistance	X		E;H;J;S	1 speed	
83	0D5135	Terminal bar (set x 5)	X				
84	0D3590	M8 HU nut (set x 10)					
85	0D7950	Single phase power card	X		E;H;J;S	1 speed	
86	0D5602	Component support fixed on motor support					
87	0D7951	Single phase power supply lead assembly	X				
87	0D8006	Single phase power supply UK	X		N		
88	0D7969	Tie (set x 10)		X			
89	0D7996	Breaker CB	X				
S30	0D8007	Complete card support	X		B		
S30	0D8008	Complete card support	X		A		
S31	0D5522	Complete PSA support	X				
S32	0D7961	Complete single ph. power card support	X		E;H;J;S	1 speed	



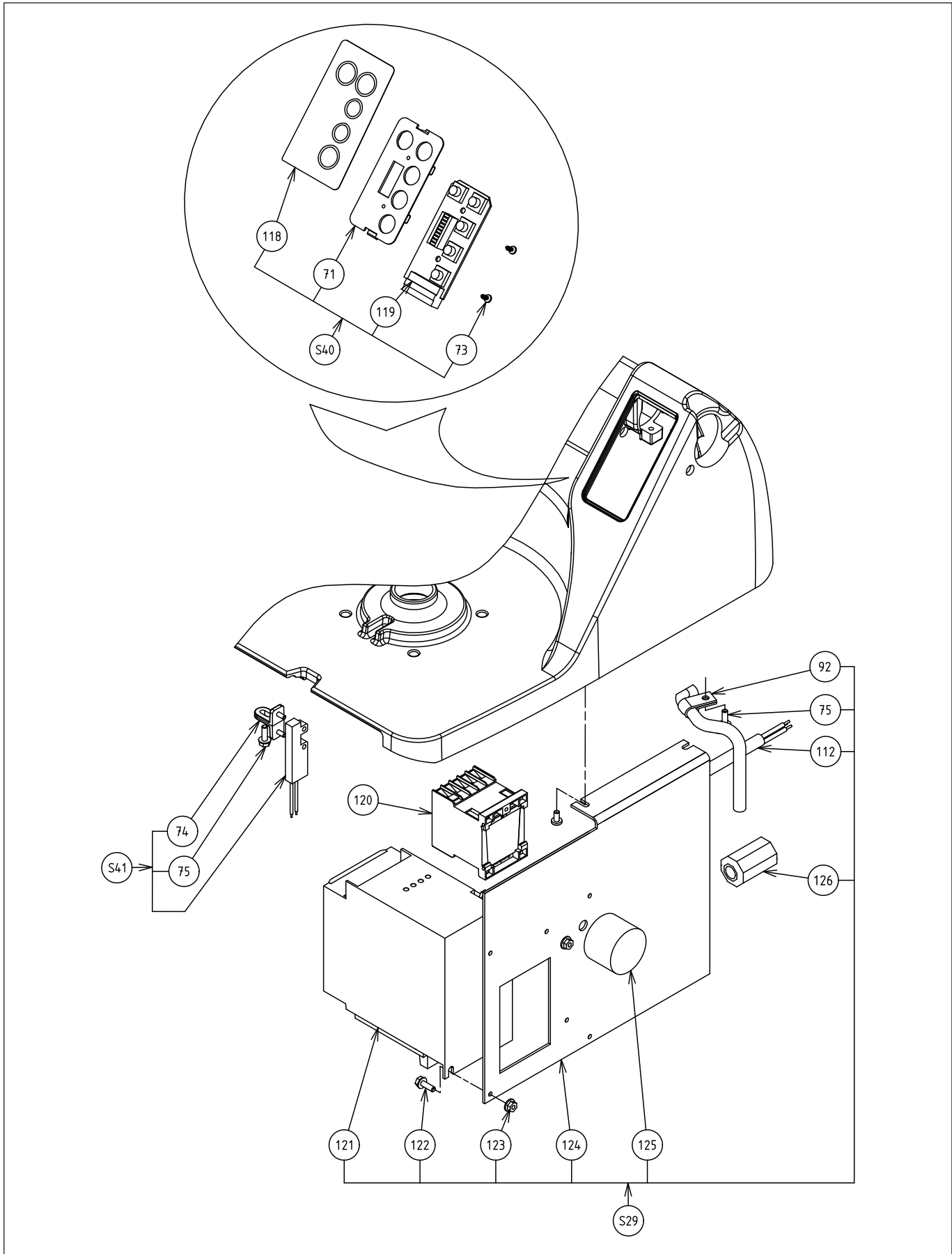
Pos.	Code	Description	V	W&T	Ref.	Notes	S/N break
71	0D5515	Control card support					
73	0D2918	WN K30/8 PT screw (set x 10)					
74	0D5517	Proximity detector					
75	0D6754	M4x12 screw (set x 10)					
76	0D6626	Detector	X				
82	0D7401	Resistance	X		I		
84	0D3590	M8 HU nut (set x 10)					
90	0D7386	Control card 1V	X		I		
91	0DF157	Control panel 1 speed		X	B		
91	0DF099	Control panel 1 speed		X	A		
92	0D6708	M6x16 screw (set x 10)					
93	033984	C M3x6 screw (set x 10)					
93	033986	Washer m3 (set x 10)					
94	0D7384	Power card	X				
95	0D7399	Contacteur	X		I		until 2020-07
95	0D8011	Contacteur	X		I		from 2020-08
96	0D5323	M4x16 screw (set x 10)					
97	0D7379	Relais tension 115v	X		I		
98	0D3065	M4 HU nut (set x 10)					
98	0D0610	C M4x8 screw (set x 10)					
99	0D5135	barrette a borne (jeu x 5)	X				
100	0D1465	Capacitor permanent 30mf 250v	X		I;J		
100	0D7389	Capacitor permanent 60mf 250v	X		I;K		
101	0D6209	Component support TR USA					
102	0D3491	Lyre 100x18 (jeu x5)					
103	0D6731	Capacitor dem 145-174			I;J		
103	0H1034	Capacitor dem 189-227	X		I;K		
104	0D7390	Supply cord TR USA	X		I		
105	0D6040	CV8 tie (set x 10)		X			
S31	0D7394	Complete detector	X				
S34	0D7391	Complete control card	X		B		
S34	0D8008	Complete control card	X		A		
S35	0D7395	Assembly power card	X		I;J		
S35	0D7396	Assembly power card	X		I;K		



Pos.	Code	Description	V	W&T	Ref.	Notes	S/N break
70	0DF099	1-speed control panel plate		X	A		
70	0DF157	1-speed control panel plate		X	B		
71	0D5515	Control card support					
72	0D7987	Power/On/Off control card	X				
73	0D2918	WN K30/8 PT screw (set x 10)					
74	0D5517	Safety device support					
75	0D6754	M4x12 screw (set x 10)					
76	0D6626	Proximity detector	X				
77	0D2848	Printed circuit fixing spacer (set x 6)	X				
83	0D5135	Terminal bar (set x 5)	X				
87	0D5602	Component support fixed on motor support					
92	0D7969	Tie (set x 10)		X			
102	0D3491	Spring clip					
107	0KQ662	100mf brake capacitor	X		D;R		
108	0D7962	1-speed three-phase power card	X		D;R		
109	0D7963	Three-ph. power supply lead assembly	X				
S30	0D8109	Complete control card support	X		D		
S31	0D5522	Complete PSA support	X				
S37	0D7964	Complete 1-sp. three-ph. power card support	X		D;R		



Pos.	Code	Description	V	W&T	Ref.	Notes	S/N break
71	0D5515	Control card support					
73	0D2918	WN K30/8 PT screw (set x 10)					
74	0D5517	Safety device support					
75	0D6754	M4x12 screw (set x 10)					
76	0D6626	Proximity detector	X				
77	0D2848	Printed circuit fixing spacer (set x 6)	X				
92	0D7969	Tie (set x 10)		X			
102	0D3491	Spring clip					
107	0KQ662	100 mf brake capacitor	X				
107	0D3429	M4x8 tapping screw (set x 10)					
109	0D7963	Three-phase power supply lead assembly	X				
110	0DF158	TR 2 speed control panel plate		X	A		
110	0DF159	TR 2-speed control panel plate		X	B		
111	0D5600	Power/1/2/Off control card	X		C;D;F		
111	0D7491	Cable	X		C;D;F		
112	0D7501	Nut HU M4 (set x 10)					
112	0D6441	Spacer 4x10x10 (set x 10)					
112	0D6755	Screw TC M4x20 (set x 10)					
113	0D5518	TR Printed circuit component support					
114	0D7952	2-speed power card	X		F		
115	0D6708	M6x16 Taptite screw (set x 10)					
116	0U0486	Additive contact 1NO 1NF	X		F		
117	0D7953	Additive contact 4NF	X		F		
S31	0D5522	Complete PSA support	X				
S38	0D5571	Control card support + wiring harness	X				
S38	0DF173	Control card support assembly	X				
S39	0D8001	Complete 2-sp. three-ph. power card support	X				



Pos.	Code	Description	V	W&T	Ref.	Notes	S/N break
71	0D5515	Control card support					
73	0D2918	442 K30/8 PTWN screw (set x 10)					
74	0D5517	Detector support					
75	0D6754	M4x12 Taptite screw (set x 10)					
92	0D7969	Tie (set x 10)		X			
112	0D6135	Single phase power supply lead assembly	X		G		
112	0D8005	Single phase power UK	X		G;N		
118	0DF164	Variable speed control panel plate		X	B;G		
118	0DF160	Variable speed control panel plate		X	A;G		
119	0D5546	Power/On/Off/+/- control card	X		G		
119	0D8037	Lead	X		G		
120	0D7994	Contacttor 9A CB	X		G;O		
121	0D7968	ATV12 variable speed unit	X		G		
122	0D5323	M4x16 Taptite screw (set x 10)					
123	0D7501	Nut HU M4 (set x 10)					
124	0D5748	Variable speed unit component support			G		
125	0D7948	Inductance	X		G		
126	0D7949	Ferrite	X		G		
S40	0D7688	Complete variable speed control card Elux	X		B;G		
S40	0D7695	Complete variable speed control card Dito	X		A;G		
S41	0D7967	Complete PSA support (clip holders)	X		G		
S42	0D7970	Complete variable speed unit support	X		G		

CE