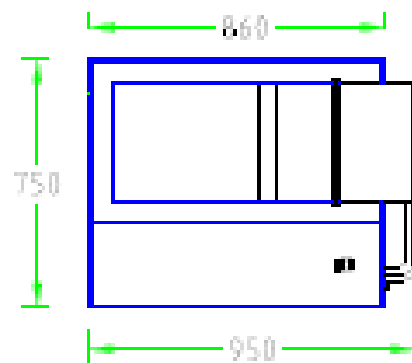
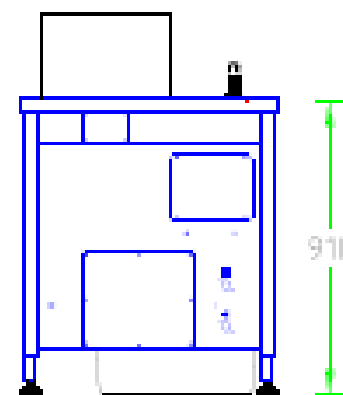
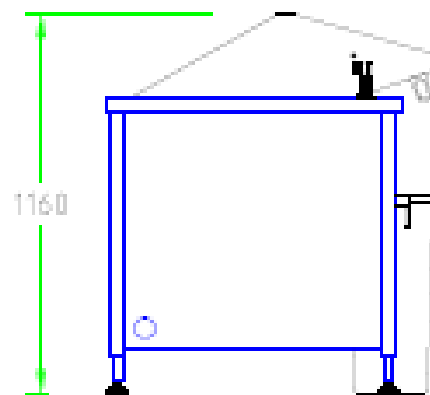
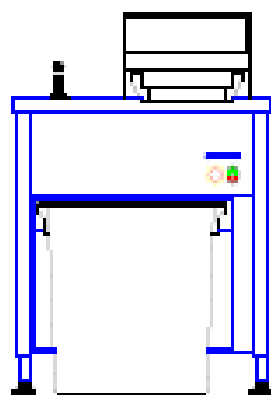


Code 1005



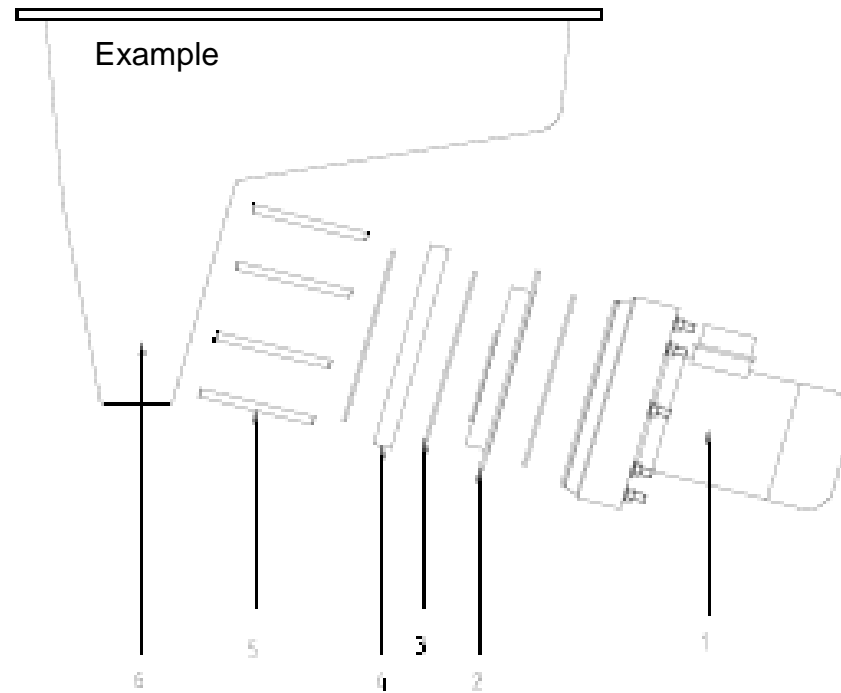
Disposer spare parts list

Code 2114/E

Version: 210911

Item	Quantity	Unit	Designation	Code number / standard brief designation	Item/ drawing number
1	1	Pcs.	Grinder	Assembly/ELITE	211A/E
2	1	Pcs.	Sprocket	Assembly	B481800
3	2	Pcs.	O-ring	DIN 3771-255x4	Z000212
4	1	Pcs.	Space ring	Plastic	B485901
5	8	Pcs.	Threaded rod	DIN M12x145	B476315
6	1	Pcs.	Sump	Assembly	
7		Pcs.			
8		Pcs.			
9		Pcs.			
10		Pcs.			
11		Pcs.			
12		Pcs.			
13		Pcs.			
14		Pcs.			
15		Pcs.			/
1b		Pcs.			/
17		Pcs.			/
18		Pcs.			/
19		Pcs.			/
20		Pcs.			/
21		Pcs.			/
22		Pcs.			/
23		Pcs.			/
24		Pcs.			/
25		Pcs.			/
26		Pcs.			/
27		Pcs.			/
28		Pcs.			/
29		Pcs.			/

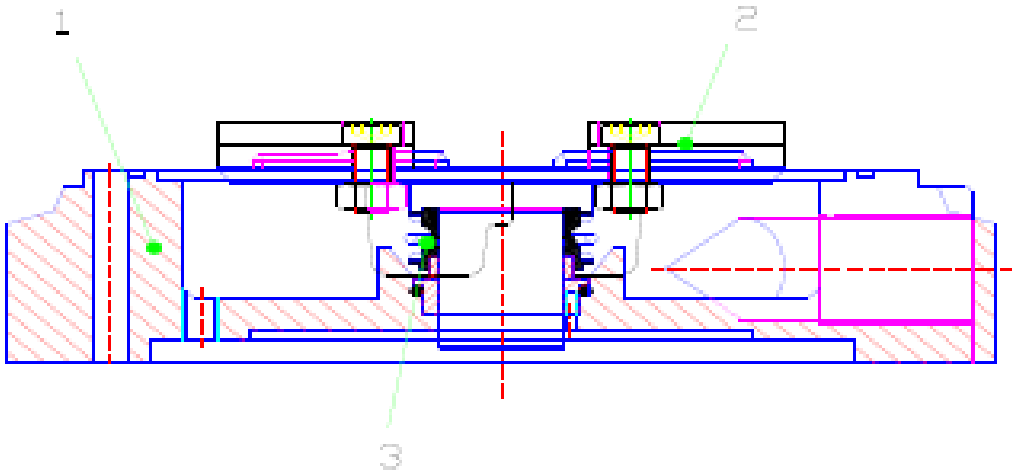
Disposer Code 2114/E



Version 210911

Disposer
Code 2114/E

485912 Grinder housing and grinder disc

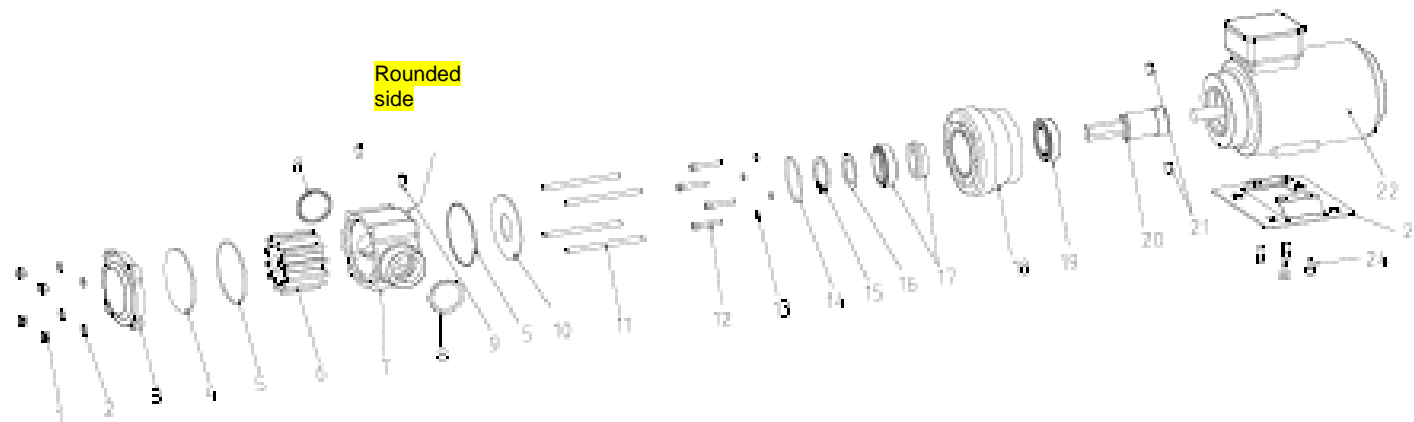


Disposer spare parts list Code 2114/E

VERSION: 050511

Item	Quantity	Unit	Designation	Code number/standard brief designation	Item/drawing number
1	1	Pcs.	Grinder housing	Assembly	485907
2	1	Pcs.	Grinder disc	Assembly	481900
3	1	Pcs.	Slide ring seal	MG 1/45	485914
4		Pcs.			/
5		Pcs.			/
b		Pcs.			/
7		Pcs.			/
8		Pcs.			/
9		Pcs.			/
10		Pcs.			/
11		Pcs.			/
12		Pcs.			/
13		Pcs.			/
14		Pcs.			/
15		Pcs.			/
16		Pcs.			/
17		Pcs.			/
18		Pcs.			/
19		Pcs.			/
20		Pcs.			/
21		Pcs.			/
22		Pcs.			/
23		Pcs.			/
22		Pcs.			/
25		Pcs.			/
26		Pcs.			/
27		Pcs.			/
28		Pcs.			/
29		Pcs.			/

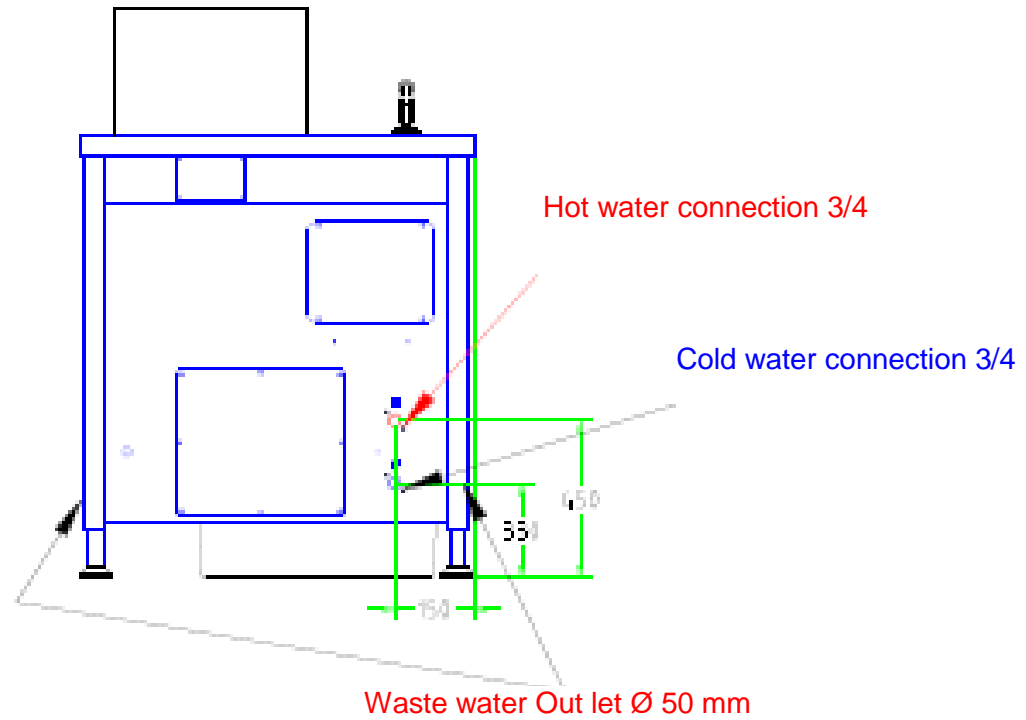
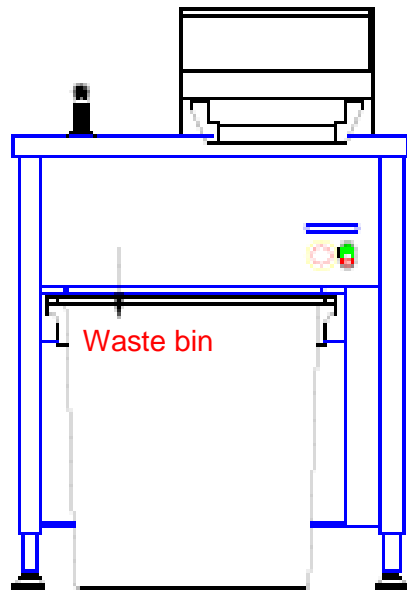
Overview Pressure Pump Code 2504



Version: 20092011
Feed pump

Code 1005

Look from back

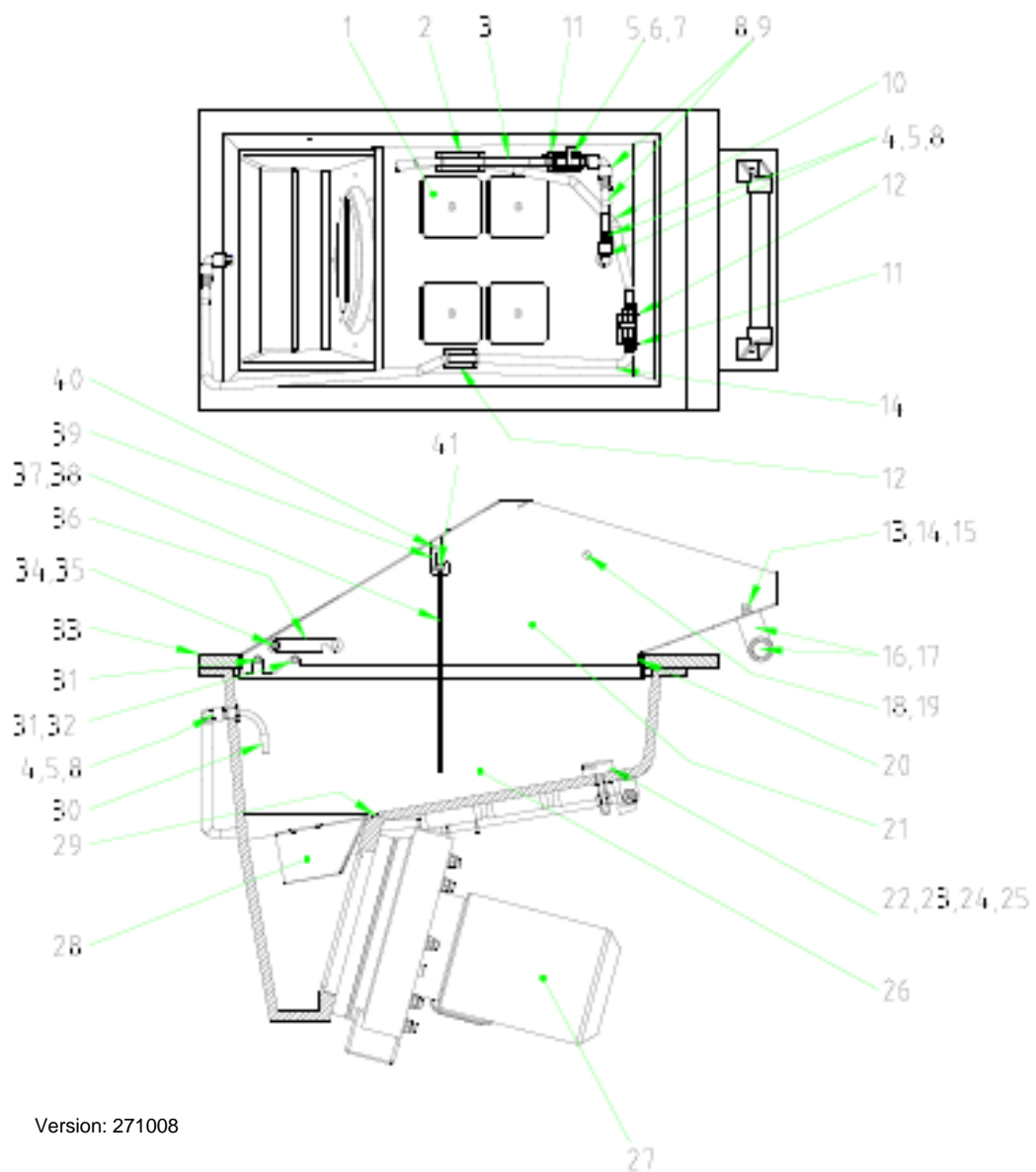


Pressure Pump spare parts list Code 2504

Version 20092011

Item	Quantity	Unit	Designation	Code number/standard brief designation	Item/ drawing number
1	4	Pcs.	Stop nut	DIN 985 - M8	Z000186
2	8	Pcs.	Disc	DIN 125 - A - 8.4	Z000187
3	1	Pcs.	Pump cover	Plastic	B477205
4	1	Pcs.	Top spacer disc	1.4301 3mm	B477208
5	2	Pcs.	O-ring	Ø 100x2.5	Z000101
6	1	Pcs.	Impeller	17935- 0001B-01G	Z000004
7	1	Pcs.	Pump housing	Plastic	B477203
8	2	Pcs.	O-ring	DIN 3771 - Ø45x4	Z000134
9	2	Pcs.	Grub screw	DIN 913 - M8>10	Z000188
10	1	Pcs.	Bottom spacer disc	1.4301 3,0 mm	B477209
11	4	Pcs.	Threaded rod	M 8 x 123mm	B480304
12	4	Pcs.	Cheese-head screw	DIN 912 - M6x40	Z000189
13	4	Pcs.	Disc	DIN 125 - 6.4	Z000058
14	1	Pcs.	O-ring	80x3,4	Z000392
15	1	Pcs.	Lock ring	DIN 471 - 40 x 1,75	Z000414
16	1	Pcs.	Disc	1.4301 1,5mm	B477222
17	1	Pcs.	Slide ring seal	Ø 4 D	B477221
18	1	Pcs.	Bagger housing	Plastic	B480302 A
19	1	Pcs.	Grooved ball bearing	DIN 625 - 6008 - 2RS	Z000213
20	1	Pcs.	Pump shaft	PG 7 CuSnZnPb Ø 40	B480303F
21	2	Pcs.	Grub screw	DIN 913 - M8x16	Z000413
22	1	Pcs.	Motor	0,55Kw 900 U/min	Z000149
23	1	Pcs.	Wall bracket for pump	1.4301 3,0 mm	B480305
24	4	Pcs.	Hexagon head screw	DIN 933 - M8x 12 A2	Z000373
25		Pcs.			
26		Pcs.			
27		Pcs.			
28		Pcs.			
29		Pcs.			

Assembly of parts



Version: 271008

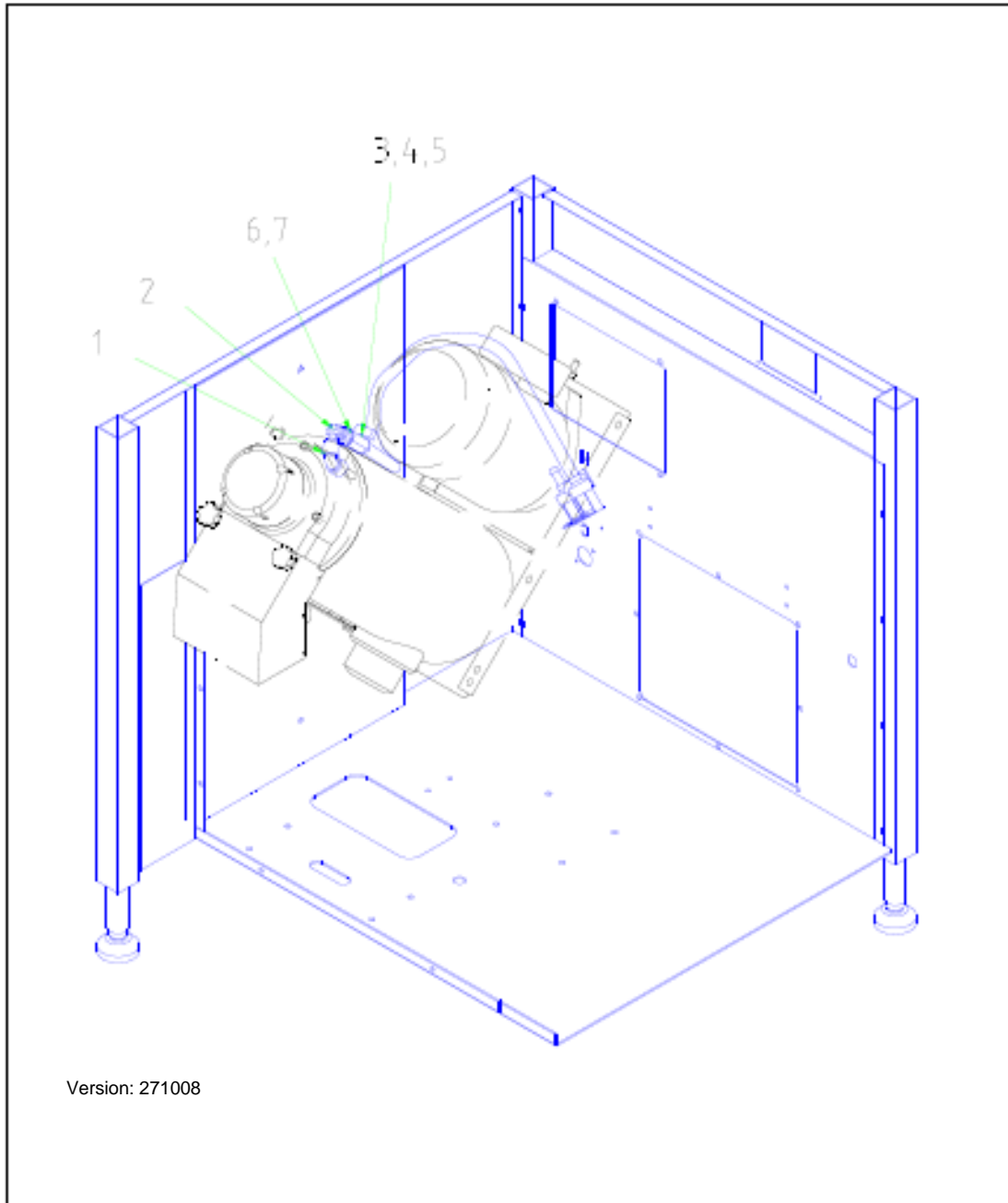
Dehydrator

Hose connection spare parts

VERSION: 2910 08

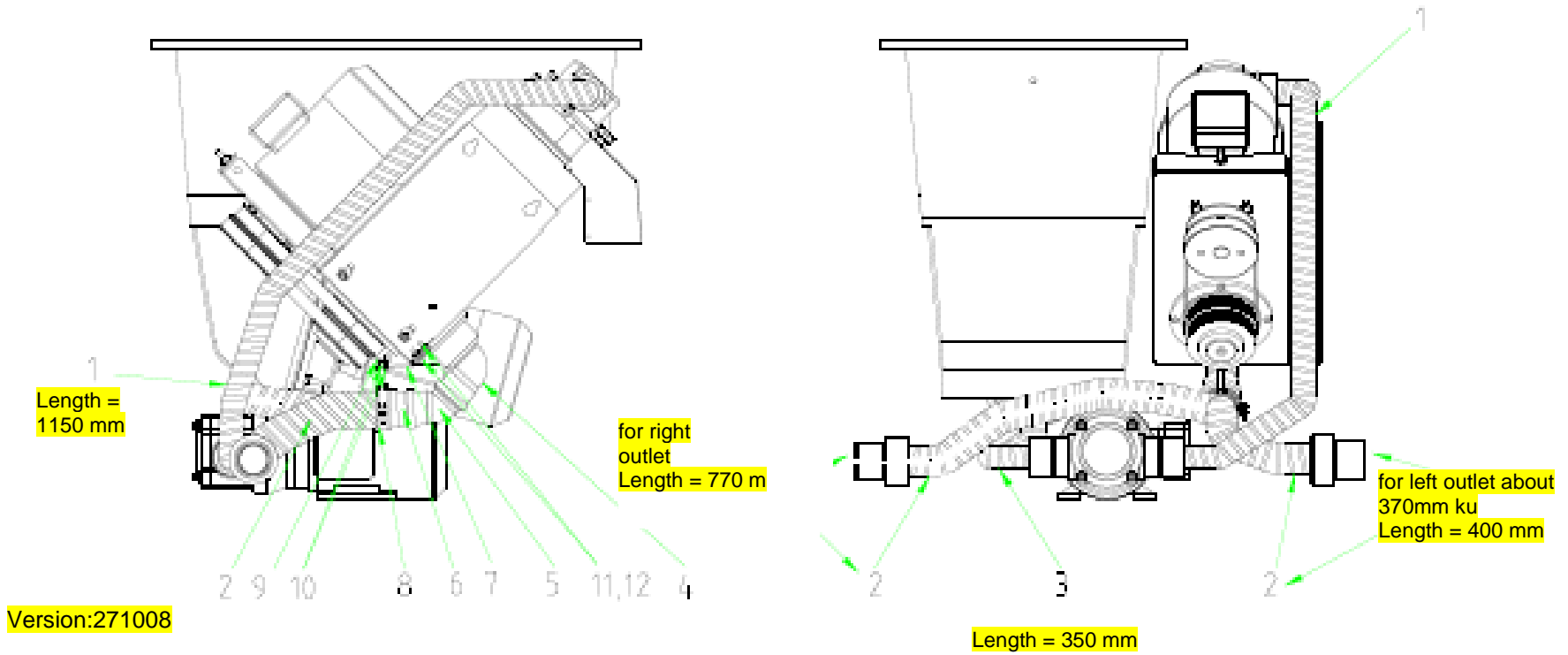
Item	Quantity	Unit	Designation	Code number/standard brief designation	Item/drawing number
1	1	Pcs.	Angle connector	10,0 mm	6025/
2	1	Pcs.	Angle fitting	10,0 mm	5168/
3	1	Pcs.	Threaded fitting	3/8"	5040/
4	1	Pcs.	Ball stop valve	3/8"	5112/
5	1	Pcs.	Brass fitting	3/8"	5346/
6	2	Pcs.	1 collar	Ø 17.5mm	5061/
7	1	Pcs.	Warm water hose	780mm	5344/
8	1	Pcs.	1 collar	Ø 18.5mm	5058/
9		Pcs.			/
10		Pcs.			/
11		Pcs.			/
12		Pcs.			/
13		Pcs.			/
14		Pcs.			/
15		Pcs.			/
16		Pcs.			/
17		Pcs.			/
18		Pcs.			/
19		Pcs.			/
20		Pcs.			/
21		Pcs.			/
22		Pcs.			/
23		Pcs.			/
24		Pcs.			/
25		Pcs.			/
26		Pcs.			/
27		Pcs.			/
28		Pcs.			/
29		Pcs.			/

Dehydrator Hose connection



Version: 271008

Hose connection Code 1005



Spare parts list

Code 1005

VERSION: 271008

Item	Quantity	Unit	Designation	Code number/standard brief designation	Item/ drawing number
1	1	Pcs.	Magnet	100x100x25	5144/
2	1	Pcs.	Hose holder 3	1.4301 1,5mm	/479432
3	1	Pcs.	Hose	AS -760 mm	6613/
4	5	Pcs.	1 collar	Ø 17.5mm	5061/
5	3	Pcs.	Gas welded hose connection	G 3/8"	5346/
6	2	Pcs.	Ball stop valve		5112/
7	1	Pcs.	Threaded fitting	10mm x 3 / 8"	5040/
8	3	Pcs.	Angle connector	10mm	6025/
7	2	Pcs.	Hose	AS- 105mm	6613/
10	1	Pcs.	Hose	AS -980mm	6613/
11	2	Pcs.	Hose holder 1	11.5mm 1.4301	/479430
12	1	Pcs.	Hose holder 2	1,5mm 1.4301	/479431
13	2	Pcs.	Hexagon head screw	DIN 933 - M8X25 - A2	5025/
14	2	Pcs.	Disc	DIN 125 - 8.4 - A2	5412/
15	2	Pcs.	Cap nut	DIN 1587 - M8 - A2	5581/
16	2	Pcs.	Handle piece	Plastic	5075/
17	1	Pcs.	Door pipe	Pipe 30x1.5mmx260 mm 1.4311	/476319
18	2	Pcs.	Pan head screw	DIN 738 0 - M10x20	5990/
19	1	Pcs.	Tamper protection bar	Pipe 12x2x361 mm 1.43 0 1	/476430
20	2	Pcs.	Magnetic cap	Plastic, Magnet 10x4	/200006
21	1	Pcs.	Funnel	Assembly	/476420
22	1	Pcs.	Water inlet nozzle	Plastic	/200017
23	1	Pcs.	Water pipe 2	Pipe 1 1 x1.5 1.4301	/200019
24	1	Pcs.	Disc	DIN 433 - 10.5 - A2	5692/
25	1	Pcs.	Nut	DIN 934 - M10 - A2	6672/
26	1	Pcs.	Sump	for grinder 221 assembly	5172 /2479480
27	1	Pcs.	Grinder Type 221 Elite	Assembly	2114/E
28	1	Pcs.	Safety flap	Assembly	/476321
29	5	Pcs.	Countersunk screw	DIN 7985 - M5x20 - A	5913/

Spare parts list

Code 1005

Version: 271008

Item	Quantity	Unit	Designation	Code number/standard brief designation	Item/drawing number
30	2	Pcs.	self-lock. nut	DIN 985 - M8	5921/
31	2	Pcs.	Disc	DIN 125 - 8,4	5412/
32	2	Pcs.	Hexagon head screw	DIN 933 - M8x20	5417/
33	2	Pcs.	Handle piece	Plastic	5075/
34	1	Pcs.	Door pipe	1.4301 Rohr Ø 30 x2	8008/477319
35		Pcs.			
36		Pcs.			
37		Pcs.			
38		Pcs.			
39		Pcs.			
40		Pcs.			
41		Pcs.			
42		Pcs.			
43		Pcs.			/
44		Pcs.			/
45		Pcs.			/
46		Pcs.			/
47		Pcs.			/
48		Pcs.			/
49		Pcs.			/
50		Pcs.			/
51		Pcs.			/
52		Pcs.			/
53		Pcs.			/
54		Pcs.			/
55		Pcs.			/
56		Pcs.			/
57		Pcs.			/
58		Pcs.			/

Spare parts list

Level Sensors

VERSION: 271008

Item	Quantity	Unit	Designation	Code number/standard brief designation	Item/drawing number
1	4	Pcs.	Disc	DIN 125 - 6.4 - A2	6088/
2	1	Pcs.	Nut	DIN 934 - M6 - A2	5624/
3	2	Pcs.	Polystop	DIN 985 - M6 - A2	5487/
4	1	Pcs.	Countersunk screw	M6x25 A2 DIN 7991	5021/
5	1	Pcs.	Level mass	Grub screw	8142/200032
6		Pcs.			/
7		Pcs.			/
8		Pcs.			/
9		Pcs.			/
10		Pcs.			/
11		Pcs.			/
12		Pcs.			/
13		Pcs.			/
14		Pcs.			/
15		Pcs.			/
16		Pcs.			/
17		Pcs.			/
18		Pcs.			/
19		Pcs.			/
20		Pcs.			/
21		Pcs.			/
22		Pcs.			/
23		Pcs.			/
24		Pcs.			/
25		Pcs.			/
26		Pcs.			/
27		Pcs.			/
28		Pcs.			/
29		Pcs.			/

Spare parts list of Hose connection

VERSION: 201008

Item	Quantity	Unit	Designation	Code number/standard brief designation	Item/drawing number
1	1	Pcs.	Pump pressing unit Pressensehl	Assembly	8054/
2	1	Pcs.	Waste water hose	Assembly	8055/
3	1	Pcs.	Hose connected	Assembly	/479476
4	1	Pcs.	HT bend 87°	DIN 50	6204/
5	1	Pcs.	HT bend 67°	DIN 50	6203/
6	1	Pcs.	HT fitting 130mm	DIN 50	/479478
7	1	Pcs.	Waste water pipe mounting		/479460
8	1	Pcs.	Hinged pipe clamp		6378/
9	1	Pcs.	Hexagon head screw	DIN 933 M8x25	/
10	2	Pcs.	Nut	DIN 934 M8	5027
11	2	Pcs.	UBS bolts	DIN 7380M5x16	/
12	2	Pcs.	Polystop nut	DIN 985 M5	/
13		Pcs.			/
14		Pcs.			/
15		Pcs.			/
16		Pcs.			/
17		Pcs.			/
18		Pcs.			/
19		Pcs.			/
20		Pcs.			/
21		Pcs.			/
22		Pcs.			/
23		Pcs.			/
24		Pcs.			/
25		Pcs.			/
26		Pcs.			/
27		Pcs.			/
28		Pcs.			/
29		Pcs.			/

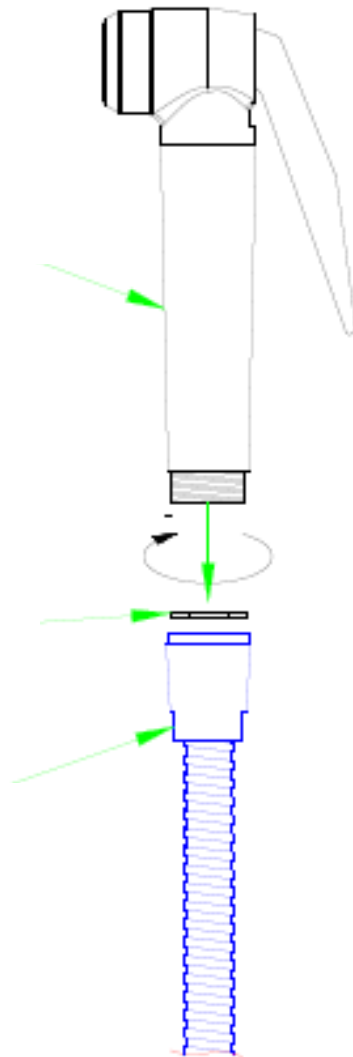
Shower Standard

Shower head

Sealing G 1/2"
5988.1

Shower hose

Version 051108



Waste water Hose

