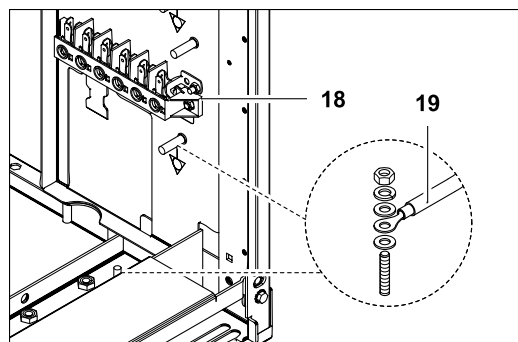
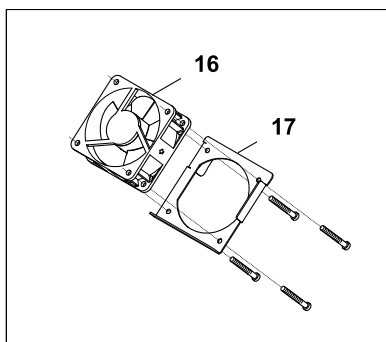
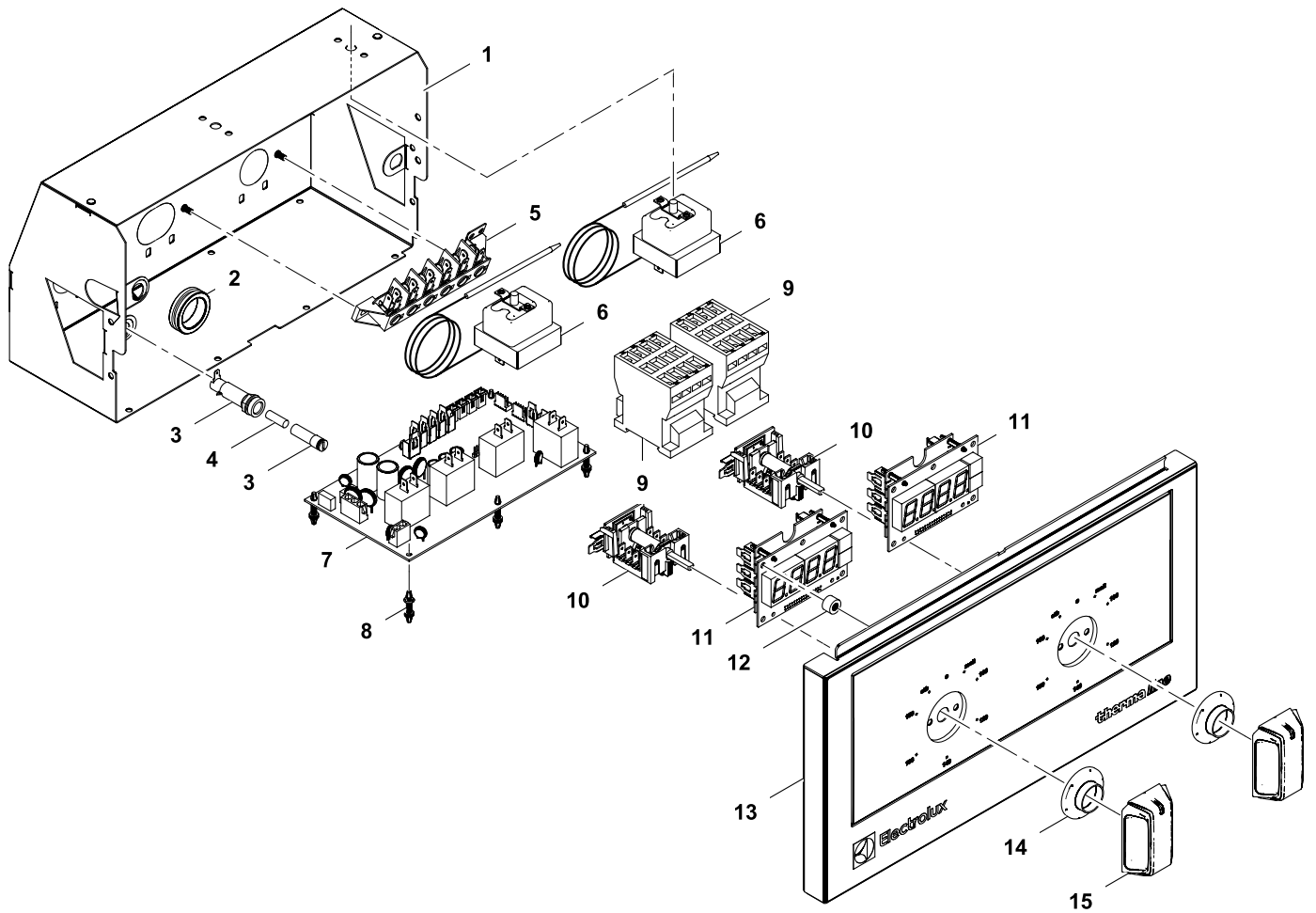


DE ELEKTRISCHE FRITTEUSEN 2 X 5L
EN ELECTRIC DEEP FAT FRYER 2 X 5L

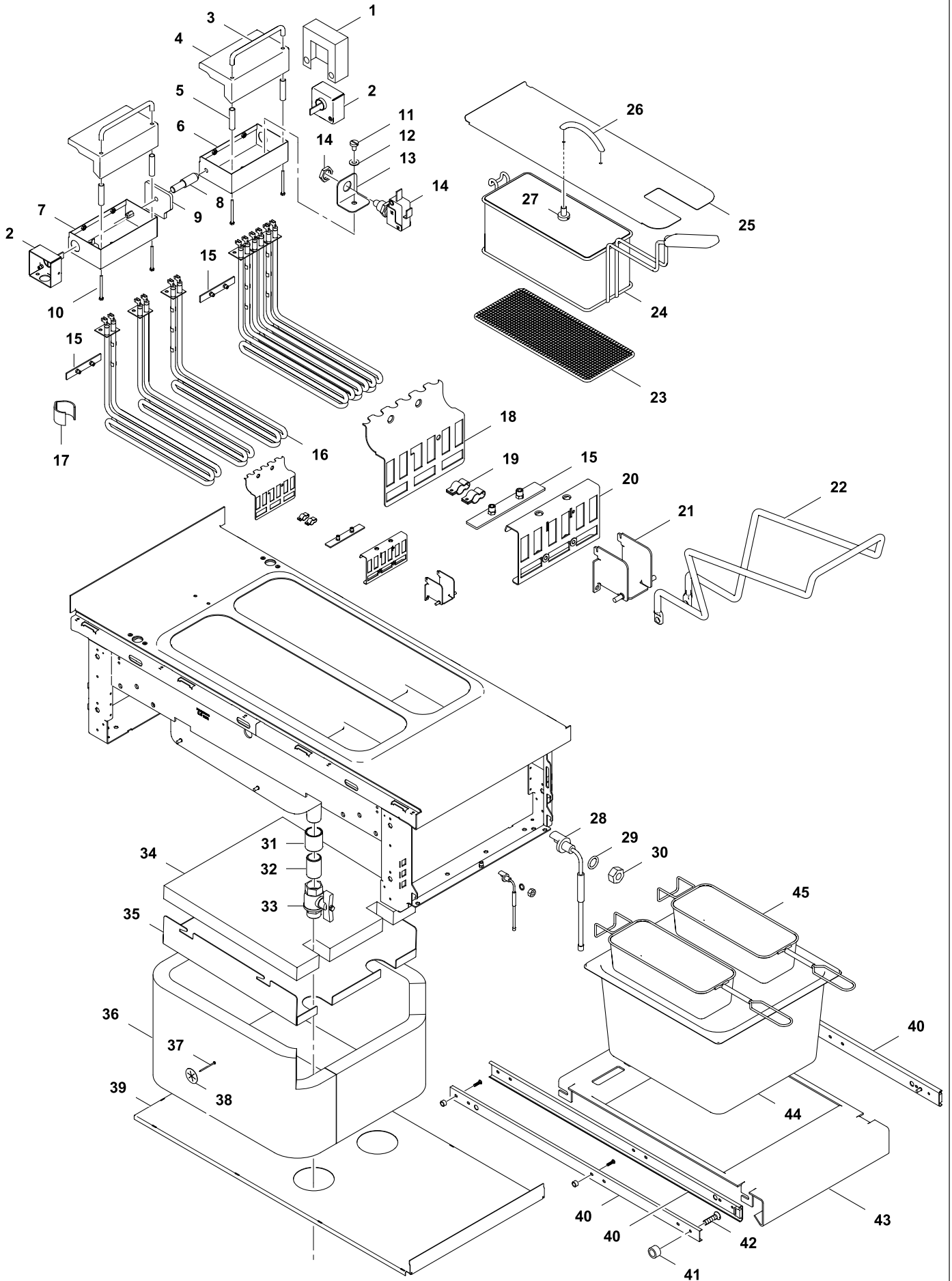
PNC	Factory Model	Ref.	Description
588211	MAFBEADDAO	a	EL. DEEP FAT FRYER, 2X5L 400X800X700H
588212	MAFBEBDDAO	a	EL. DEEP FAT FRYER, 2X5L, C-BOARD, 400X800X700H
588297	MAFBFADDAO	b	EL. DEEP FAT FRYER, 2X5L, 400X800X800H
588298	MAFBFBDDAO	b	EL. DEEP FAT FRYER, 2X5L, C-BOARD, 400X800X800H
588630	MBFBGBDDAO	c	EL. DEEP FAT FRYER, 2X5L, C-BOARD, 400X850X700H
589298	MCFBEADDAO	d	EL. DEEP FAT FRYER, 2X5L, 400X900X700H
589299	MCFBEBDDAO	d	EL. DEEP FAT FRYER, 2X5L, C-BOARD, 400X900X700H
589455	MCFBFADDAO	e	EL. DEEP FAT FRYER, 2X5L, 400X900X800H
589456	MCFBFBDDAO	e	EL. DEEP FAT FRYER, 2 X5L, C-BOARD, 400X900X800H

Page	Index	Last Updates	Page
2	Electrical parts (FME)	12/2015	all
4	Mechanical Module (FMM)	12/2016	6/7
6	Full appliance	04/2017	6/7

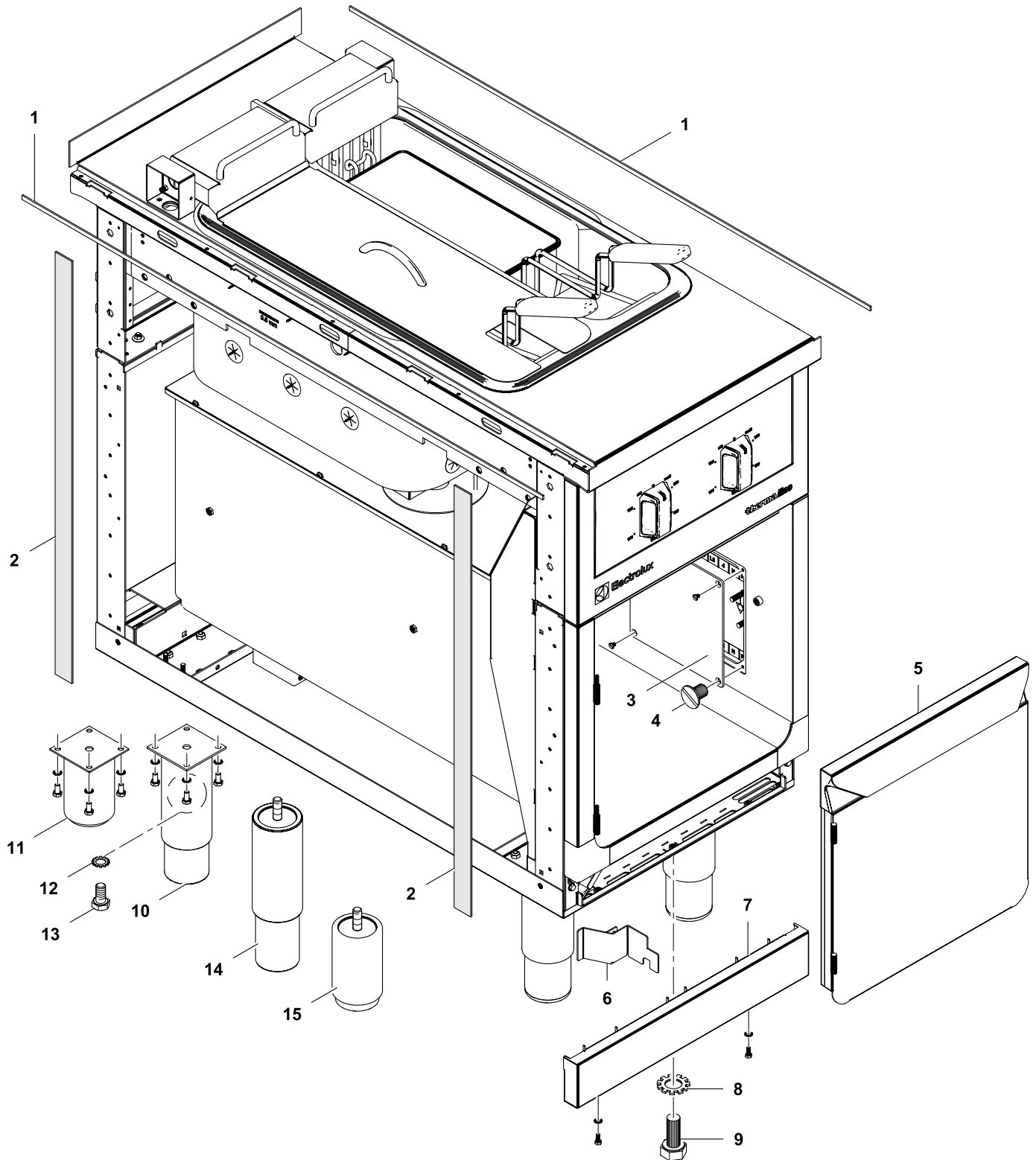
Valid from Ser. № 3101....



1	Alias	Code	Bezeichnung	Description	Ref.	Valid from Serial N°
1	82.3010	OG7303	Elektrobox	Electrical compartment	all types	
2	712 044961.17	OKT854	Kabeltülle Ø25/Ø31/Ø35x10	Cable: sleeve Ø25/Ø31/Ø35x10	all types	
3	82.7093	056582	Halter Sicherung	Fuse holder	all types	
4	712 344362.01	OG5814	Sicherung 5x20 1A	Fuse 5x20 1A	all types	
5	82.7023	058613	Klemme FV122	Terminal FV122	all types	
6	82.9094	004472	Sicherheitsthermostat 259°C -18K	Safety thermostat 259°C -18K	all types	
7	82.7014.KD	OG6221	Mainboard SPARTA	Mainboard SPARTA	all types	
8	75.5000	OG4212	Distanzhalter Kunststoff	Plastic spacer support	all types	
9	1 115 1757	OG4645	Schütz K3-14x027 + K2-E230	Conductor K3-24x027 + K2-E230	all types	
10	82.9015	OG6306	Schalter off-melt-lin-stby +10K Potiometer	Switch off-melt-lin-stby +10K potentiometer	all types	
11	82.7015	OG6246	Eurotas Display	Eurotas Display	D800/900	
	72.5938.04	OKI362	Anzeigelampe grün	Indicator light, green	D850	
	72.5938.08	OKI364	Einsteckfassung grün/gelb Ø10mm	Lamp holder, green/yellow, Ø10mm	D850	
	72.5938.03	OKI361	Anzeigelampe klar	Indicator light, transparent	D850	
	72.5938.07	OKI363	Einsteckfassung klar Ø10mm	Lamp holder, transparent, Ø10mm	D850	
12	76.3011.01	OG3093	Distanzhalter 8mm	Spacer 8mm	all types	
13	82.1027.63	*	Bedienblende Fritteuse 2x5L 400	Control panel Fryer 2x5L 400	D800/900	
	82.1049.63	*	Bedienblende INOX Fritteuse 2x5L 400	Control panel INOX Fryer 2x5L 400	D850	
14	82.7009	OG6247	Dichtung Drehgriff	Sealing for handle	all types	
15	82.9124.01	OG6369	Drehgriff mit Adapter 0°x6.0	Handle with adapter 0°x6.0	all types	
16	82.7159	OG6274	Ventilator 60x60x25 622HH (3.5W)	Ventilator 60x60x25 622HH (3.5W)	all types	
17	82.3009	*	Halteblech Ventilator	Cooling fan support	all types	
	1 701 1083	OG5755	Zylinderschraube M3x30	Socket cap screw M3x30	all types	
	1 701 3540	2KI478	Unterlegscheibe M3	Washer M3	all types	
18	82.7023	058613	Klemme FV122	Terminal FV122	all types	
19	82.9103	OG6424	Kabel: Haupterdraht L400 6mm²	Cable: main earthing L400 6mm²	all types	
	82.9002	OG6897	Kabel: Display - Display L290	Cable: Display - Display L290	D800/900	
	82.9003	OG6899	Kabel: Potentiometer - Display L200	Cable: Potentiometer - Display L200	D800/900	
	82.9044.01	OG6965	Kabel: SPARTA - Potentiometer L450	Cable: SPARTA - Potentiometer L450	D850	
	82.9009	OG6906	Kabel: SPARTA - Ventilator L2000	Cable: SPARTA - Ventilator L2000	D850	
	82.9023	OG6961	Kabel: SPARTA - Display L500	Cable: SPARTA - Display L500	D800/900	
	82.9056	OG7504	Kabel: SPARTA - N - Schalter - P	Cable: SPARTA - N - switch - P	all types	
	82.9052	OG7505	Kabel: X1 - F2 - F3 - K1 - K2	Cable: X1 - F2 - F3 - K1 - K2	all types	
	82.9051	OG7506	Kabel: Schützen - Heizungen	Cable: Conductors - heating elements	all types	
	82.9049.01	OG6966	Kabel: Anzeigelampen K1 - H5	Cable: indicator lights K1 - H5	D850	
	82.9049.02	OG6967	Kabel: Anzeigelampen K2 - H6	Cable: indicator lights K2 - H6	D850	
	82.9035.01	OG6907	Kabel: X0 - X1 Hauptzuleitung	Cable: X0 - X1 mains	all types	



2	Alias	Code	Bezeichnung	Description	Ref.	Valid from Serial N°
1	83.0041	0G7507	Abdeckung Halter aussen	Cover heating element box support	all types	
2	83.0039	0G7508	Halter Heizelementbox aussen	Heating element box support	all types	
3	82.2052	0G7509	Korbhalter	Basket support	all types	
4	82.2051		Abdeckung Heizelementbox	Top cover heating element box	all types	
5	82.3053	0G7510	Distanzstück	Spacer	all types	
6	82.2063.01		Heizelementbox rechts	Heating element box right	all types	
7	82.2063.02		Heizelementbox links	Heating element box left	all types	
8	82.7095	0G6450	Schraube M6 x 7,9	Screw M6 x 7,9	all types	
9	82.2053	0G7513	Halter Heizelementbox mitte	Heating element box support middle	all types	
10	879062	0G7514	Schraube 6kt M4 x 50	Hex bolt M4 x 50	all types	
11	1 701 1041	0G6969	Schraube M4 x 6	Screw M4 x 6	all types	
12	1 701 3502	0G3595	U-Scheibe ø4,3 x ø9,0 x 0,8	Washer ø4,3 x ø9,0 x 0,8	all types	
13	82.2617	0G7515	Befestigung Druckschalter	Pressure switch support	all types	
14	82.7089	002785	Druckschalter	Pressure switch	all types	
15	82.2073	0G7516	Halter Führung	Support	all types	
16	82.7058	0G6343	Heizelement Fitteuse 5+5l	Heating element fryer 5+5L	all types	
17	82.7087	052262	Feder Heizrohr	Clamp	all types	
18	82.2061	0G7517	Führung hinten	Heating element support backside	all types	
19	82.7088	056330	Feder Thermostat	Thermostat clamp	all types	
20	82.2058	0G7518	Führung vorne	Heating element support frontside	all types	
21	82.2062	0G7519	Halter	Support	all types	
22	82.7082	0TTK97	Halter Hebevorrichtung	Support lifting system	all types	
23	82.7083	0G6227	Bodenrost	Grid	all types	
24	82.7081	0G6741	Korb 140mm	Basket 140mm	all types	
25	82.2057	0G7520	Abdeckung Becken 5l	Lid fryer 5l	all types	
26	82.7097	0C0614	Griff für Fritteusendeckel	Handle for lid	all types	
27	1 701 1041	0G6969	Flachkopfschraube M4x6	Flat head screw M4x6	all types	
28	82.7174.01	0G6321	Sensor TC Wasser/Öl (grünes Kabel)	Sensor TC water/oil (green cable)	all types	
	82.7174.02	0G6322	Sensor TC Wasser/Öl (blaues Kabel)	Sensor TC water/oil (blue cable)	all types	
29	82.7216	058904	O-Ring Ø8.75x1.78	O-ring Ø8.75x1.78	all types	
30	1 701 3044	0K4612	Sechskantmutter M8	Hex nut M8	all types	
31	712 344852.25	0KW735	Gewindemuffe 3/4" x 36	Turnbuckle 3/4" x 36	all types	
32	82.7137	0G6974	Doppelnippel 3/4" x40	Double nipple 3/4" x40	all types	
33	1 117 1294	0G6356	Kugelhahn 3/4"	Ball valve 3/4"	all types	
34	82.2032.06	0G7521	Isolation Flumroc	Insulation Flumroc	all types	
35	82.2171	0G7522	Halteblech Isolation	Insulation support	all types	
36	82.2032.05	0G7523	Isolation Flumroc	Insulation Flumroc	all types	
37	1 201 1959	0G6987	Isolationsnägel	Nails	all types	
38	1 201 1961	0G4127	Isolationsclips	Clips	all types	
39	82.0227.01	0G7524	Korpusdeckel D800	Corpus lid D800	D800	
	82.0227.02	0G7525	Korpusdeckel D850	Corpus lid D850	D850	
	82.0227.03	0G7526	Korpusdeckel D900	Corpus lid D900	D900	
40	82.0089	0G6978	Führung Becken	Container rail	all types	
41	72.2528	0G6980	Distanzhülse 6mm	Spacer 6mm	all types	
42	1 701 1146	0G6979	Senkkopfschraube M4x16	Countersunk screw M4x16	all types	
43	82.2059	0G6977	Halter Becken	Container support	all types	
44	82.7084	0G6976	Auffangbecken	Container	all types	
45	82.4217	0G6975	Ölsieb	Oil filter	all types	



3	Alias	Code	Bezeichnung	Description	Ref.	Valid from Serial N°
1	82.7464	0C2496	Dichtband (Schaumstoff-Silikon, klebend)	Sealing strip	all types	
2	82.7467	0C7307	Dichtung 5mm	Sealing sides 5mm	all types	5101...
3	82.0223.01	0G6757	Deckel Servicefenster	Cover plate	all types	
4	1 701 1145	0G6758	Senkkopfschraube M4x6	Countersunk screw M4x6	all types	
5	82.0250.01	0G7350	Tür komplett Anschlag links	Door complete hinges left	D800/900	
	82.1071.01	0G7347	Tür komplett NHC Anschlag links	Door complete NHC hinges left	D850	
6	82.0113.01	0G7386	Leitblech links H700	Aeration sheet left H700	H700	
	82.0113.11	0G7387	Leitblech links H800	Aeration sheet left H800	H800	
7	82.1140.04	0G7122	Std. Anschlussdeckel H66/L400	Bottom panel H66/L400	H700	
	82.1140.24	0G7469	Std. Anschlussdeckel H166/L400	Bottom panel H166/L400	H800	
8	1 701 7002	0G2923	Fächerscheibe M5	Fan washer M5	all types	
9	1 701 2507	0G4653	Sechskantschraube M5x16	Hex bolt M5x16	all types	
10	86.0001	0G5391	Stellfuß 2" 145-252mm rund	Adjustable feet 2" 145-252mm, round	H700	
11	86.2385	0G6140	Stellfuß 2" 100mm	Adjustable feet 2" 100mm	H800	
12	1 701 5051	0G6753	Fächerscheibe M6	Fan washer M6	all types	
13	1 701 2600	OKT919	Sechskantschraube M6x12	Hex bolt M6x12	all types	
14	82.0350.01		Fuss M10 200mm	Foot M10 200mm	H700	
15	82.0350.02		Fuss M10 100mm	Foot M10 100mm	H800	