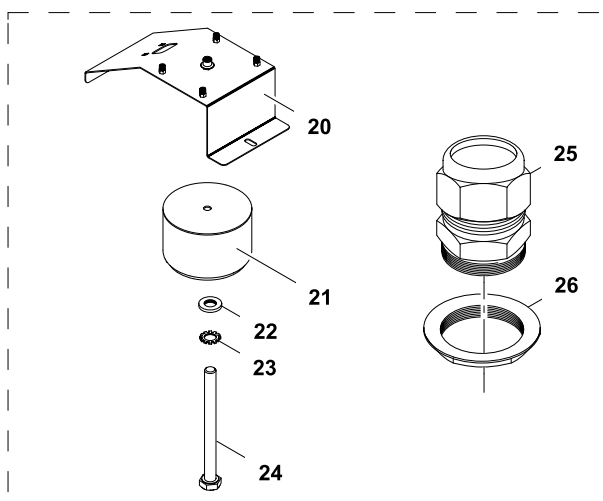
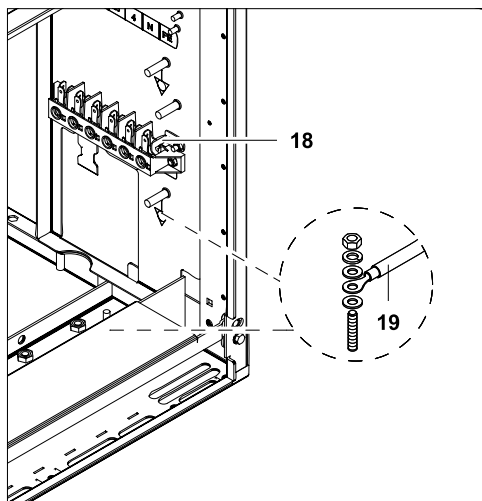
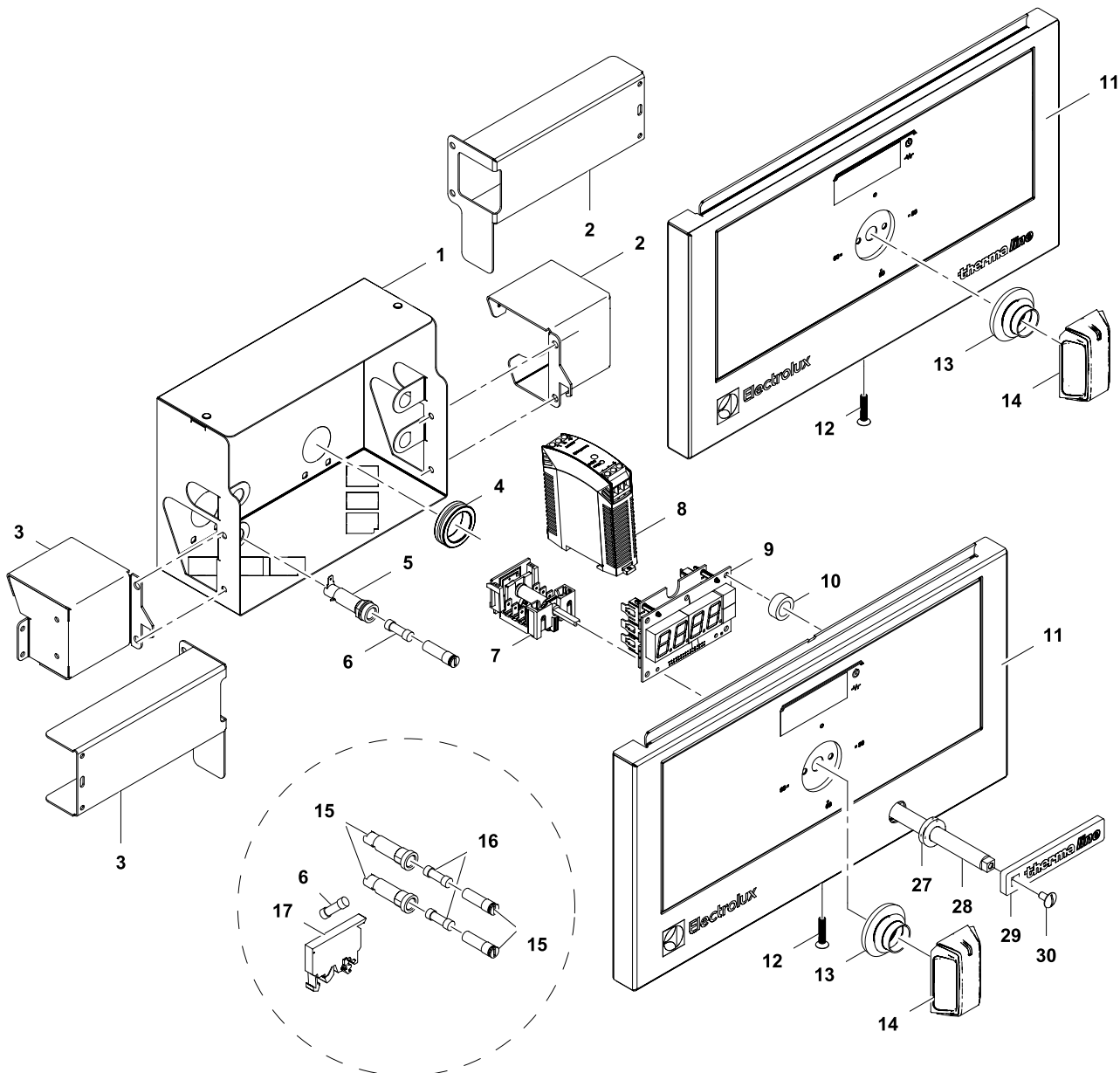


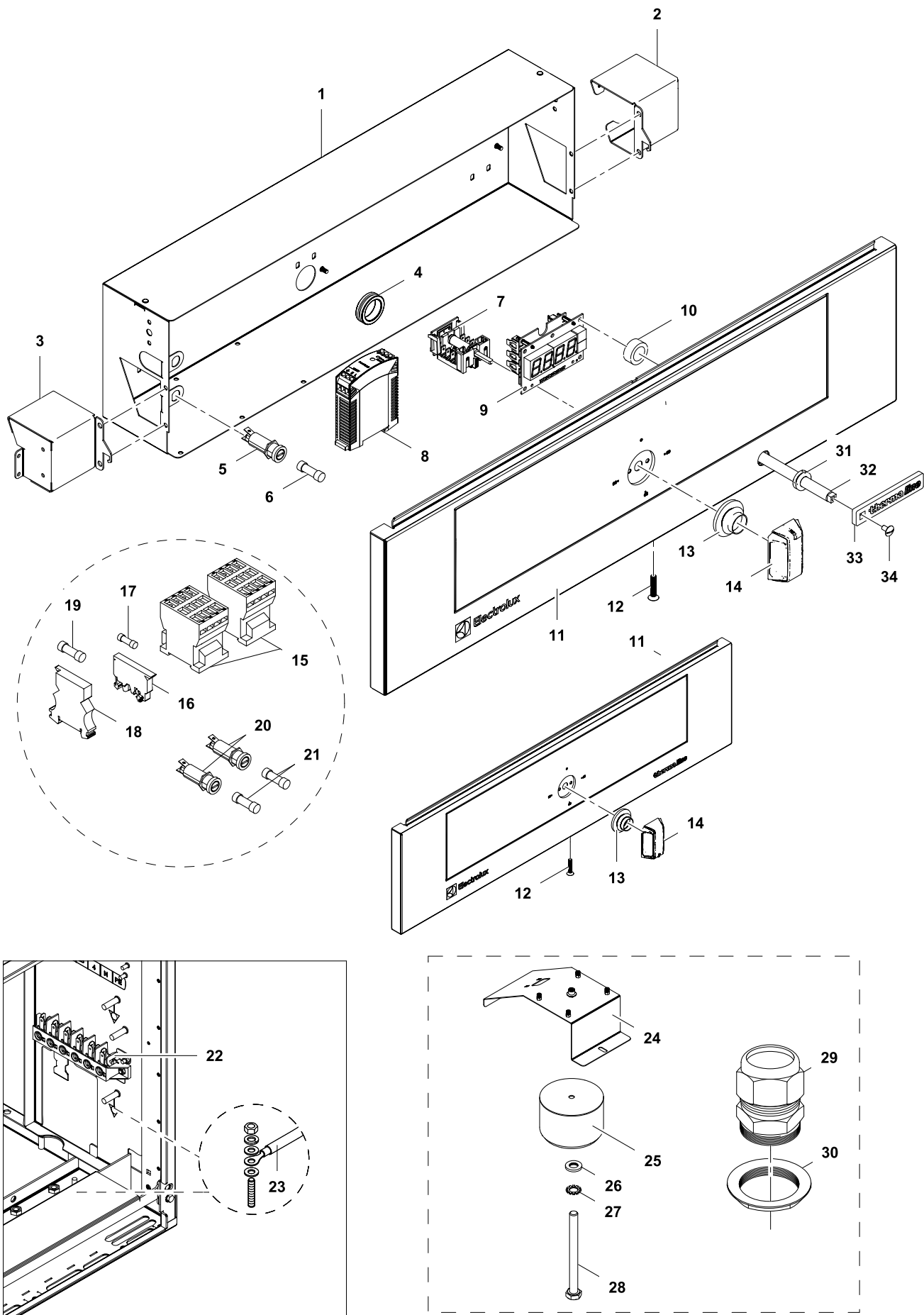
DE BAIN MARIE 1/1GN & 2/1GN
EN BAIN MARIE 1/1GN & 2/1GN

PNC	Factory Model	Ref.	Description
588086	MABAAADOAO	a	BAIN MARIE, 1/1GN, TAP BACK, 400X800X250H
588087	MABAABDOAO	a	BAIN MARIE, 1/1GN, TAP BACK, C-BOARD, 400X800X250H
588400	MABFAAEAO	b	BAIN MARIE, 1/1GN, TAP LEFT, 500X800X250H
588401	MABFABEOAO	b	BAIN MARIE, 1/1GN, TAP LEFT, C-BOARD, 500X800X250H
588402	MABGAAEOAO	c	BAIN MARIE, 1/1GN, TAP RIGHT, 500X800X250H
588403	MABGABEOAO	c	BAIN MARIE, 1/1GN, TAP RIGHT, C-BOARD, 500X800X250H
588088	MABBAAHOAO	d	BAIN MARIE, 2/1GN, TAP BACK, 800X800X250H
588089	MABBABHOAO	d	BAIN MARIE, 2/1GN, TAP BACK, C-BOARD, 800X800X250H
588552	MBBABBDOAO	e	BAIN MARIE, 1/1GN, TAP BACK, C-BOARD, 400X850X250H
588553	MBBBBBHOAO	f	BAIN MARIE, 2/1GN, TAP BACK, C-BOARD, 800X850X250H
589132	MCBAAADOAO	g	BAIN MARIE, 1/1GN, TAP BACK, 400X900X250H
589133	MCBAABDOAO	g	BAIN MARIE, 1/1GN, TAP BACK, C-BOARD, 400X900X250H
589633	MCBFAAEAO	h	BAIN MARIE, 1/1GN, TAP LEFT, 500X900X250H
589634	MCBFABEOAO	h	BAIN MARIE, 1/1GN, TAP LEFT, C-BOARD, 500X900X250H
589635	MCBGAAEOAO	i	BAIN MARIE, 1/1GN, TAP RIGHT, 500X900X250H
589636	MCBGABEOAO	i	BAIN MARIE, 1/1GN, TAP RIGHT, C-BOARD, 500X900X250H
589134	MCBBAAHOAO	j	BAIN MARIE, 2/1GN, TAP BACK, 800X900X250H
589135	MCBBABHOAO	j	BAIN MARIE, 2/1GN, TAP BACK, C-BOARD, 800X900X250H
589820	MCBAEADIDM	k	MARINE* BAIN MARIE, 1/1GN, TAP BACK, 400X900X700H
589822	MCBF AEIDM	l	MARINE* BAIN MARIE, 1/1GN, TAP LEFT, 500X900X700H
589823	MCBGAEIDM	m	MARINE* BAIN MARIE, 1/1GN, TAP RIGHT, 500X900X700H
589821	MCBBAEHIDM	n	MARINE* BAIN MARIE, 2/1GN, TAP BACK, 800X900X700H

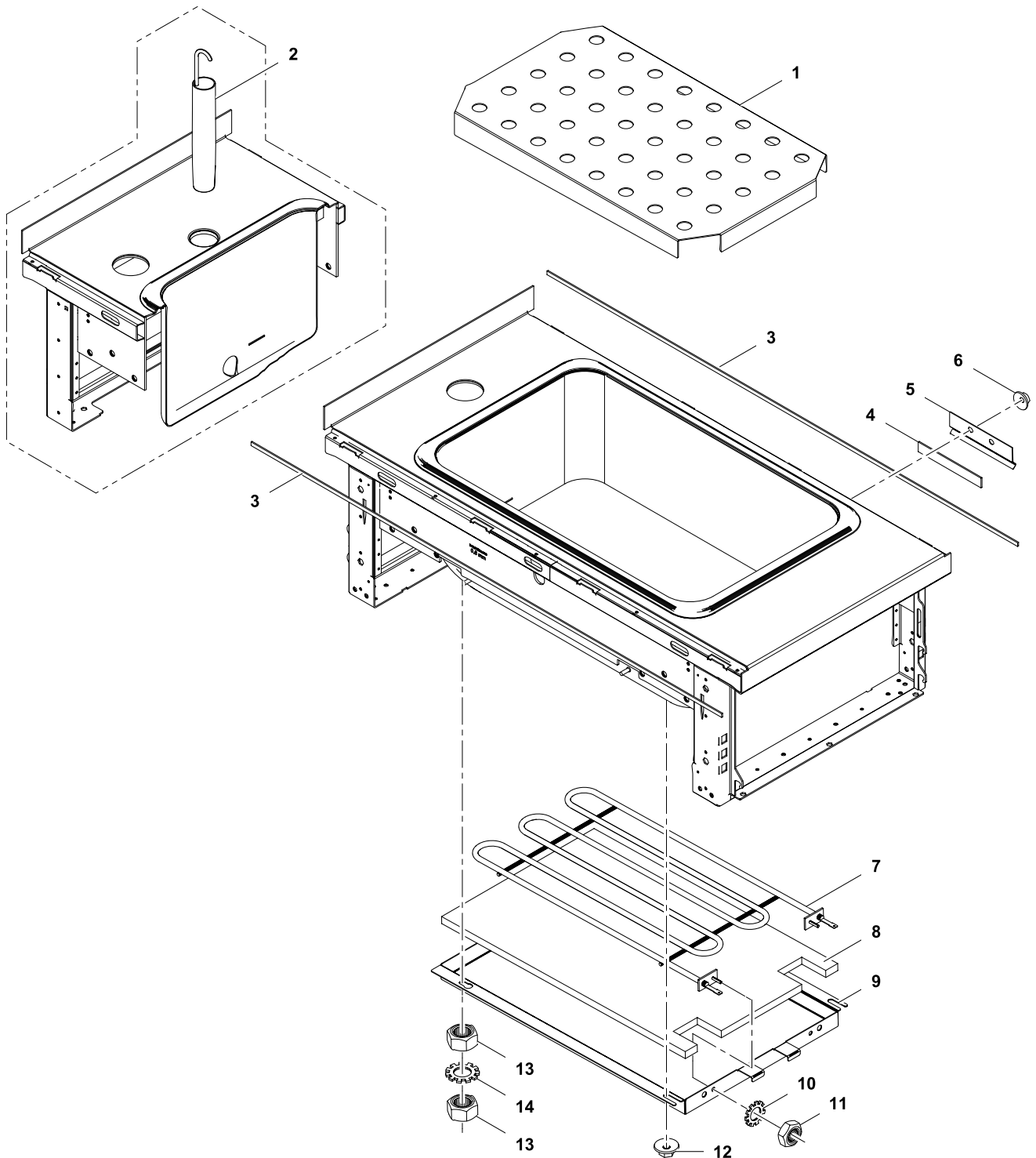
Page	Index	Last Updates	Page	Ref.
2	Electrical compartment 1/1 GN	12/2015	1/1GN	
4	Electrical compartment 2/1 GN	12/2016	all	
6	Mechanical parts	04/2017	15	
8	Drain water connection rear	11/2017	3/5	15/20
10	Drain water connection front			
12	Mixer tap			
14	H3 base (marine)			

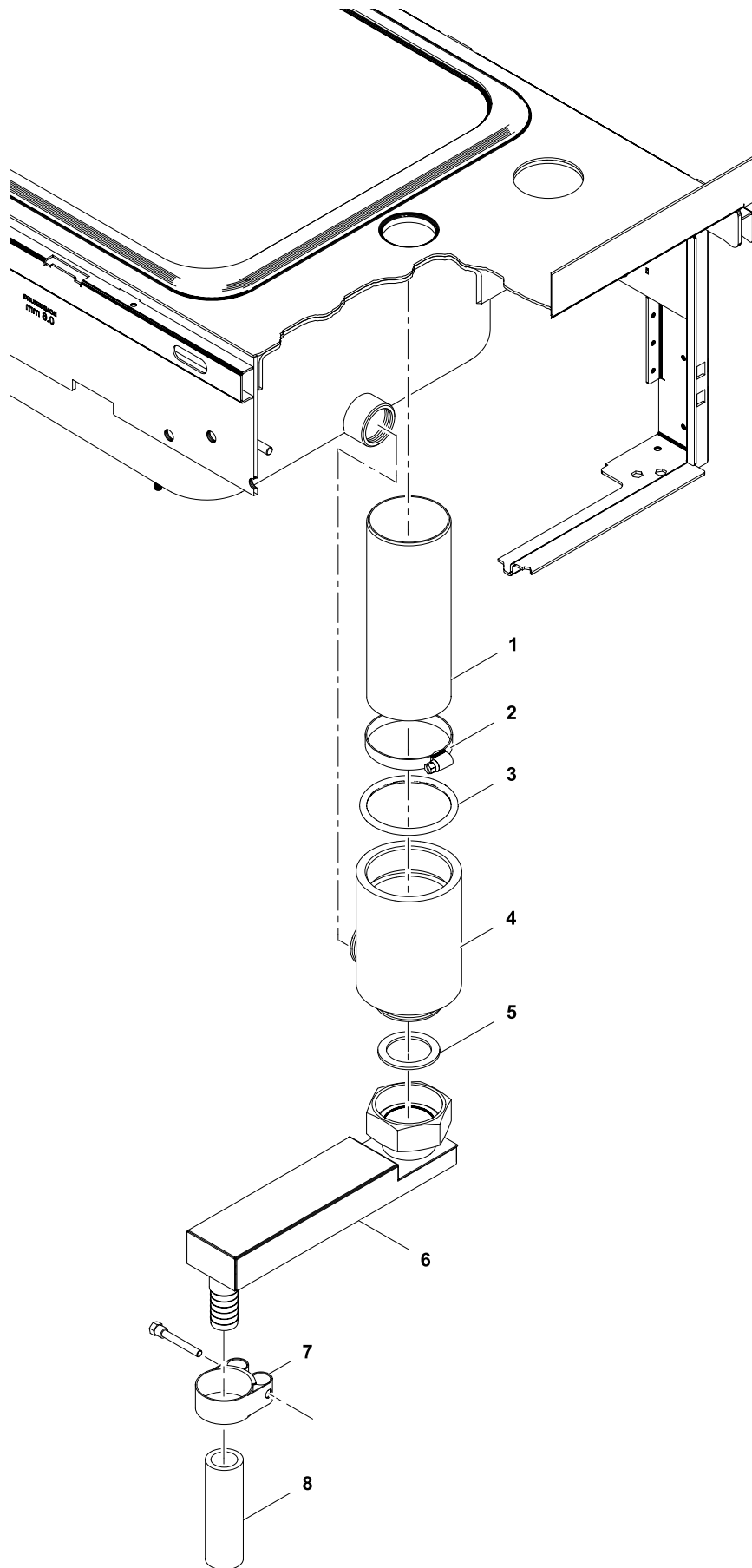


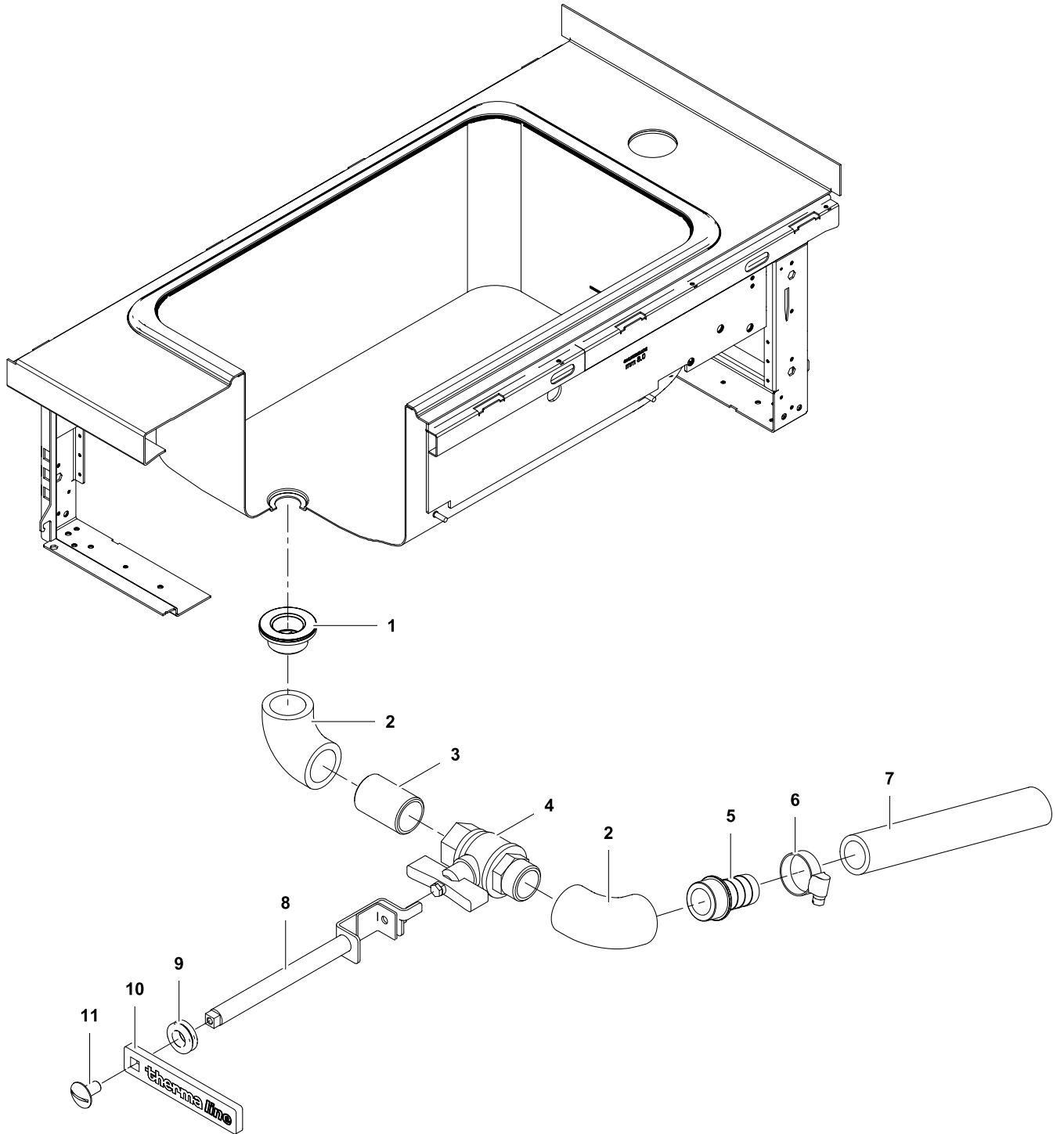
1	Alias	Code	Bezeichnung	Description	Ref.	Valid from Serial N°
1	82.3016	*	Elektrobox 400	Electrical compartment 400	1/1 GN	
2	82.3001	*	Standardventilationsbox links	Ventilation box left	1/1 GN	
3	82.3002	0G7450	Standardventilationsbox rechts	Ventilation box right	1/1 GN	
4	712 044961.17	OKT854	Kabeltülle Ø25/Ø31/Ø35x10	Cable: sleeve Ø25/Ø31/Ø35x10	1/1 GN	
5	82.7093	056582	Halter Sicherung	Fuse holder	1/1 GN Standard	
6	712 344362.01	0G5814	Sicherung 5x20 1A	Fuse 5x20 1A	1/1 GN Standard	
7	82.9076	0G6317	Schalter off-lin 3/4 +Regler 93° +10K Poti	switch off-lin 3/4+control 93°+10K Potent	D800/900	
	1 115 1590	0G2764	Kapillarrohregler	Capillary control	D850	
8	82.9030	0G6075	DC Power supply 2V	DC Power supply 2V	D800/900	
9	82.9115.02	0G6303	Eurotas Display Bain Marie	Eurotas display Bain Marie	D800/900	
	72.5938.04	0K1362	Anzeigelampe grün	Indicator light, green	D850	
	72.5938.08	0K1364	Einsteckfassung grün/gelb Ø10mm	Lamp holder, green/yellow, Ø10mm	D850	
10	76.3011.01	0G3093	Distanzhalter 8mm	Spacer 8mm	D800/900	
11	82.1027.85	*	Bedienbl. Bain Marie W400, D800/900	Control panel Bain Marie W400, D800/900	a g k	
	82.1027.124	*	Bedienbl. Bain Marie W400, D800/900	Control panel Bain Marie W400, D800/900	a g k	6401...
	82.1027.30	0G7539	Bedienbl. Bain Marie W500, D800/900	Control panel Bain Marie W500, D800/900	b c h i l m	
	82.1027.126	*	Bedienbl. Bain Marie W500, D800/900	Control panel Bain Marie W500, D800/900	b c h i l m	6401...
	82.1049.72	*	Bedienbl. INOX Bain Marie D850	Control panel INOX Bain Marie D850	e f	
	82.1049.101	*	Bedienbl. INOX Bain Marie D850	Control panel INOX Bain Marie D850	e f	6401...
12	1 701 1072	0G6833	Senkkopfschraube M5x12	Countersunk screw M5x12	1/1 GN	
13	82.7009	0G6247	Dichtung Drehgriff	Sealing for handle	1/1 GN	
14	82.9124.05	0G6373	Drehgriff mit Adapter 0°x6.0	Handle with adapter 0°x6.0	1/1 GN	
15	87.9204	0CB130	Sicherungshalter Schurter 6.3x32 500V	Fuse holder Schurter 6.3x32 500V	1/1 GN Marine	
16	82.9171	0TTR73	Sicherung 6.3x32 0.63A 500V	Fuse 6.3x32 0.63A 500V	1/1 GN Marine	
17	75.2012.01	0K5155	Sicherungsklemme	Fuse holder terminal	1/1 GN Marine	
	75.2012.02	0T2599	Sicherungsklemme Abschlusswand	Cover for fuse holder terminal	1/1 GN Marine	
18	82.9065	0G6668	Klemme FV122 V/V	Terminal FV122 V/V	1/1 GN	
	82.9101	0G7023	Kabel: FV122 V/V - Erdungsbolzen	Cable: FV122 V/V - ground bolt	1/1 GN	
19	82.9103	0G6424	Kabel: Haupterdraht L400 6mm²	Cable: main earthing L400 6mm²	1/1 GN	
20	82.3029	*	Halteblech	Metal support	1/1 GN Marine	
21	82.9190	0G6874	Turoidal Autotransformator	Turoidal Autotransformer	1/1 GN Marine	
22	1 701 4003	0G3659	Unterlegscheibe M6	Washer M6	1/1 GN Marine	
23	1 701 5051	0G6753	Fächerscheibe M6	Fan washer M6	1/1 GN Marine	
24	1 701 2599	0K4604	Sechskantschraube M6x70	Hex bolt M6x70	1/1 GN Marine	
25	82.2810	0G6875	Kabelverschraubung PG16	Cable gland PG16	1/1 GN Marine	
26	82.9225	0G7170	Gegenmutter PG16	Lock nut PG16	1/1 GN Marine	
27	1 103 1652	0G5285	Gummitülle	Rubber sleeve	1/1 GN	6401...
28	82.2831.01	*	Hahnenarretierung D800	Tap locking D800	D800	6401...
	82.2831.02	*	Hahnenarretierung D850	Tap locking D850	D850	6401...
	82.2831.03	*	Hahnenarretierung D900	Tap locking D900	D900	6401...
29	82.2833		Griff Ablauf	Handle drain	1/1 GN	6401...
30	0001515500		Becherschraube M5x10	Roundheaded bolt M5x10	1/1 GN	6401...
	82.9100	0G7171	Kabel: Potentiometer - Display L200	Cable: Potentiometer - Display L200	D800/900	
	82.9110	0G7172	Kabel: Transformator - Display L450	Cable: Transformer - Display L450	D800/900	
	82.9108	0G7175	Kabel: X0 - Schalter - Transformator	Cable: X0 - Switch - Transformer	D800/900	
	82.9109.01	0G7173	Kabel: Schalter - Heizungen 1/IGN BM	Cable: Switch - Heating 1/IGN BM	1/1 GN	
	82.9231	0G7174	Kabel: Bain Marie D850	Cable: Bain Marie D850	D850	
	82.9197		Kabel: Bain Marie 1/IGN Marine	Cable: Bain Marie 1/IGN Marine	1/1 GN Marine	

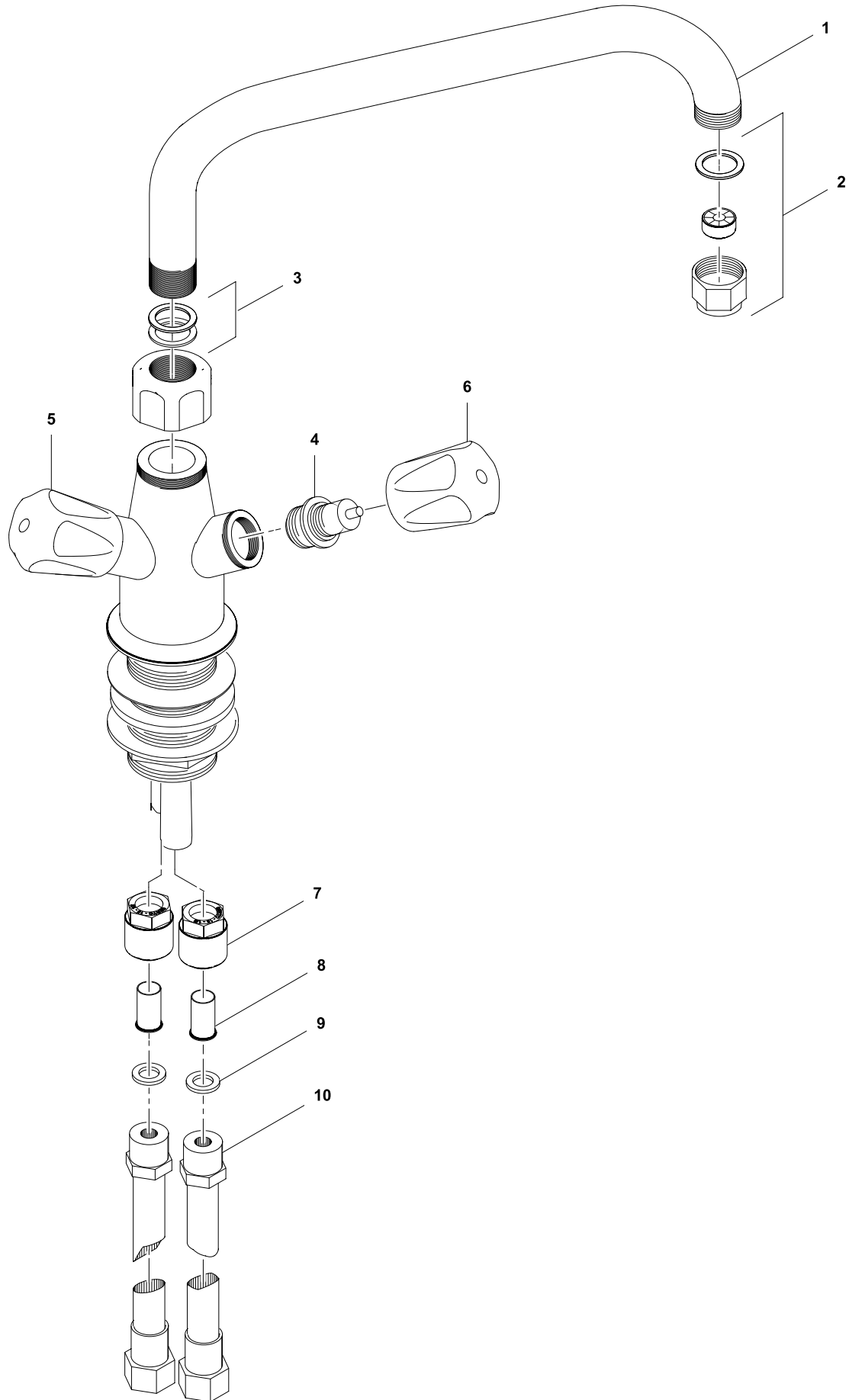


2	Alias	Code	Bezeichnung	Description	Ref.	Valid from Serial N°
1	82.3021	*	Elektrobox 800	Electrical compartment 800	2/1 GN	
2	82.3001	*	Standardventilationsbox links	Ventilation box left	2/1 GN	
3	82.3002	0G7450	Standardventilationsbox rechts	Ventilation box right	2/1 GN	
4	712 044961.17	0KT854	Kabeltülle Ø25/Ø31/Ø35x10	Cable sleeve Ø25/Ø31/Ø35x10	2/1 GN	
5	82.7093	056582	Halter Sicherung	Fuse holder	2/1 GN	
6	712 344362.01	0G5814	Sicherung 5x20 1A	Fuse 5x20 1A	2/1 GN	
7	82.9076	0G6317	Schalter off-lin 3/4 +Regler 93° +10K Poti	switch off-lin 3/4+control 93°+10K Potent	D800/900	
	1 115 1590	0G2764	Kapillarrohrregler	Capillary control	D850	
8	82.9030	0G6075	DC Power supply 2V	DC Power supply 2V	D800/900	
9	82.9115.02	0G6303	Eurotas Display Bain Marie	Eurotas display Bain Marie	D800/900	
	72.5938.04	0K1362	Anzeigelampe grün	Indicator light, green	D850	
	72.5938.08	0K1364	Einsteckfassung grün/gelb Ø10mm	Lamp holder, green/yellow, Ø10mm	D850	
10	76.3011.01	0G3093	Distanzhalter 8mm	Spacer 8mm	D800/900	
11	82.1027.86	*	Bedienbl. Bain Marie W800, D800/900	Control panel Bain Marie W800, D800/900	D800/900	
	82.1027.125	*	Bedienbl. Bain Marie W800, D800/900	Control panel Bain Marie W800, D800/900	D800/900	6401...
	82.1049.73	*	Bedienbl. INOX Bain Marie D850	Control panel INOX Bain Marie D850	D850	
	82.1049.102	*	Bedienbl. INOX Bain Marie D850	Control panel INOX Bain Marie D850	D850	6401...
12	1 701 1072	0G6833	Senkkopfschraube M5x12	Countersunk screw M5x12	2/1 GN	
13	82.7009	0G6247	Dichtung Drehgriff	Sealing for handle	2/1 GN	
14	82.9124.05	0G6373	Drehgriff mit Adapter 0°x6.0	Handle with adapter 0°x6.0	2/1 GN	
15	1 115 1757	0G4645	SCHÜTZ K3-14X027	Conductor K3-14X027	2/1 GN Marine	
16	75.2012.01	0K5155	Sicherungsklemme	Fuse holder terminal	2/1 GN Marine	
	75.2012.02	0T2599	Sicherungsklemme Abschlusswand	Cover for fuse holder terminal	2/1 GN Marine	
17	712 344362.01	0G5814	Sicherung 5x20 1A	Fuse 5x20 1A	2/1 GN Marine	
18	82.9177	0TTW84	Sicherungsklemme Weidmüller	Fuse holder terminal Weidmüller	2/1 GN Marine	
19	82.9219	0G6949	Sicherung 6.3X32 12.0 AT 500V	Fuse 6.3X32 12.0 AT 500V	2/1 GN Marine	
20	87.9204	0CB130	Sicherungshalter Schurter 6.3x32 500V	Fuse holder Schurter 6.3x32 500V	2/1 GN Marine	
21	82.9218	0G6948	Sicherung 6.3X32 6.30 AT 500V	Fuse 6.3X32 6.30 AT 500V	2/1 GN Marine	
22	82.9065	0G6668	Klemme FV122 V/V	Terminal FV122 V/V	2/1 GN	
	82.9101	0G7023	Kabel: FV122 V/V - Erdungsbolzen	Cable: FV122 V/V - ground bolt	2/1 GN	
23	82.9103	0G6424	Kabel: Haupterd draht L400 6mm²	Cable: main earthing L400 6mm²	2/1 GN	
24	82.3029	*	Halteblech	Metal support	2/1 GN Marine	
25	82.9190	0G6874	Turoidal Autotransformator	Turoidal Autotransformer	2/1 GN Marine	
26	1 701 4003	0G3659	Unterlegscheibe M6	Washer M6	2/1 GN Marine	
27	1 701 5051	0G6753	Fächerscheibe M6	Fan washer M6	2/1 GN Marine	
28	1 701 2599	0K4604	Sechskantschraube M6x70	Hex bolt M6x70	2/1 GN Marine	
29	82.2810	0G6875	Kabelverschraubung PG16	Cable gland PG16	2/1 GN Marine	
30	82.9225	0G7170	Gegenmutter PG16	Lock nut PG16	2/1 GN Marine	
31	1 103 1652	0G5285	Gummitülle	Rubber sleeve	2/1 GN	6401...
32	82.2831.01	*	Hahnenarretierung D800	Tap locking D800	D800	6401...
	82.2831.02	*	Hahnenarretierung D850	Tap locking D850	D850	6401...
	82.2831.03	*	Hahnenarretierung D900	Tap locking D900	D900	6401...
33	82.2833		Griff Ablauf	Handle drain	2/1 GN	6401...
34	0001515500		Becherschraube M5x10	Roundheaded bolt M5x10	2/1 GN	6401...
	82.9100	0G7171	Kabel: Potentiometer - Display L200	Cable: Potentiometer - Display L200	D800/900	
	82.9110	0G7172	Kabel: Transformator - Display L450	Cable: Transformer - Display L450	D800/900	
	82.9108	0G7175	Kabel: X0 - Schalter - Transformator	Cable: X0 - Switch - Transformer	D800/900	
	82.9109.02	0G7176	Kabel: Schalter - Heizungen 2/IGN BM	Cable: Switch - Heating 2/IGN BM	2/1 GN	
	82.9231	0G7174	Kabel: Bain Marie D850	Cable: Bain Marie D850	D850	
	82.9210	0G6954	Kabel: Bain Marie 2/IGN Marine	Cable: Bain Marie 2/IGN Marine	2/1 GN Marine	









6	Alias	Code	Bezeichnung	Description	Ref.	Valid from Serial N°
	1 105 1257	0G2974	Kit Mischbatterie Klarco (Pos. 1-6)	Kit Mixer tap Klarco (pos. 1-6)	all types	
1	62.6223.07	0S0959	Schwenkauslauf 3/4", 300x450mm	Swivel spout 3/4", 300x450mm	all types	
2	62.6223.01	0S1471	Auslauf ohne Dripstop	Spout without drip stop	all types	
	1 105 1265	0G5273	Tropfschutz (nicht in Kit enthalten)	Drip stop (not included in kit)	all types	
3	62.6223.02	0L0736	Dichtungsringe	Sealing rings	all types	
4	62.6223.03	0L0450	Ventileinsatz	Valve insert	all types	
5	62.6223.04	0L1041	Griff Heißwasser	Knob hot water	all types	
6	62.6223.05	0L1040	Griff Kaltwasser	Knob cold water	all types	
7	1 101 2075	0KX119	Anschluss G1/2"	Connection G1/2"	all types	
8	1 101 3797	0KE129	Stützhülse Ø15	Sleeve Ø15	all types	
9	712 044481.21	0G3610	Dichtung Ø18/11	Sealing Ø18/11	all types	
10	712 344893.02	0K5363	Panzerschlauch L1100 G1/2" / R1/2"	Armored hose L1100 G1/2" / R1/2"	all types	
	1 201 1813	0G3817	Kleber LOCTIE 577	Glue LOCTITE 577	all types	

