

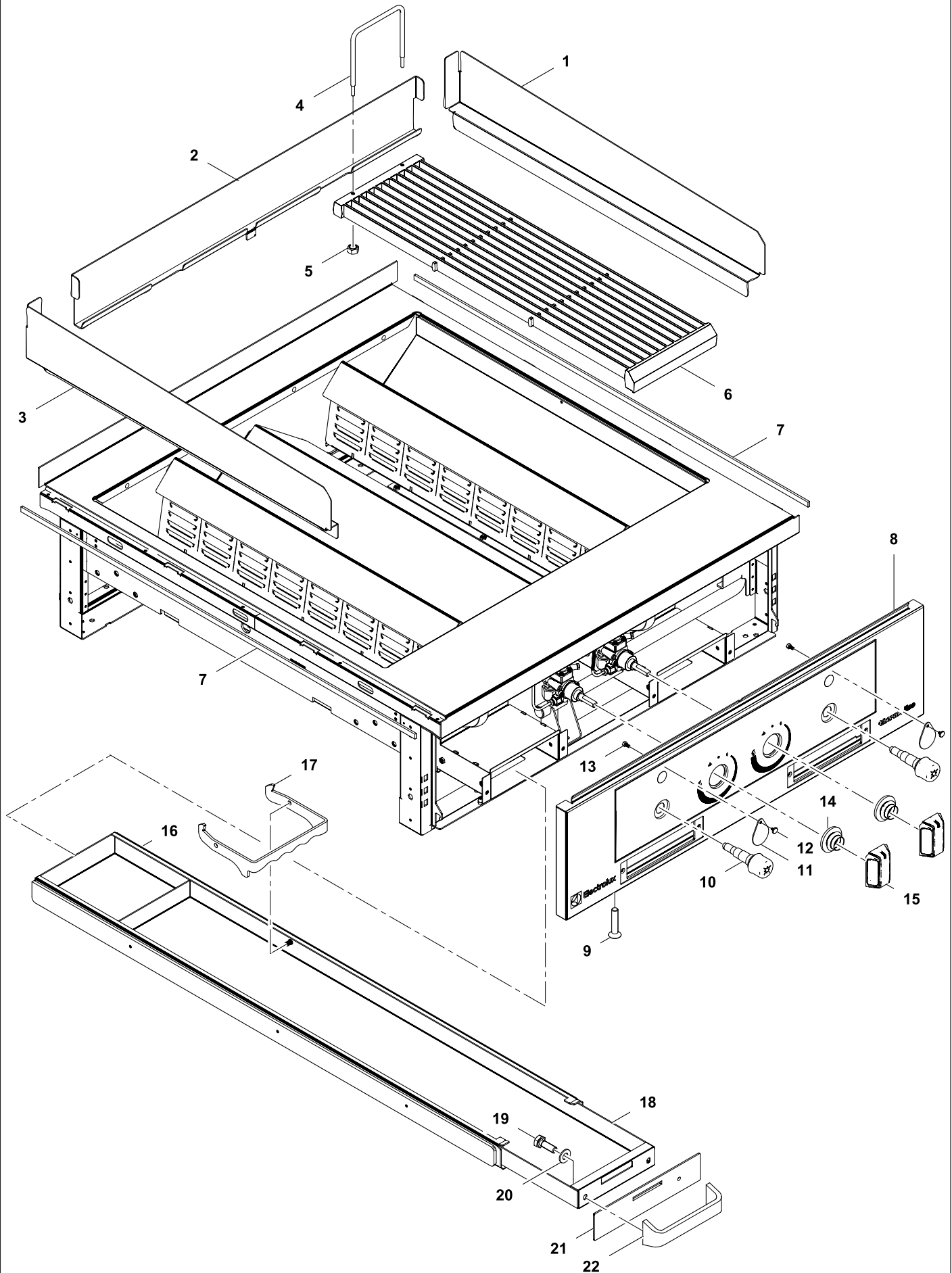
DE GAS CHARGRILL 10.5KW / 21KW / 31KW
EN GAS CHARGRILL 10.5KW / 21KW / 31KW

PNC	Factory Model	Ref.	Description
588618	MBDABBDOPO	a	GAS CHARGRILL, C-BOARD, 400X850X250H
588619	MBDBBBHOPO	b	GAS CHARGRILL, C-BOARD, 800X850X250H
588620	MBDCBBKOPO	c	GAS CHARGRILL, C-BOARD, 1200X850X250H
593100	MBDABBDOVO	a	GAS CHARGRILL, TOWNGAS, C-BOARD, 400X850X250H
593101	MBDBBBHOVO	b	GAS CHARGRILL, TOWNGAS, C-BOARD, 800X850X250H
589278	MCDAAADOPO	d	GAS CHARGRILL, 400X900X250H
589279	MCDAAADOPO	d	GAS CHARGRILL, C-BOARD, 400X900X250H
589280	MCDBAHOPO	e	GAS CHARGRILL, 800X900X250H
589281	MCDBABHOPO	e	GAS CHARGRILL, C-BOARD, 800X900X250H
589282	MCDCAAKOPO	f	GAS CHARGRILL, 1200X900X250H
589283	MDCABKOPO	f	GAS CHARGRILL, C-BOARD, 1200X900X250H
593300	MCDAAADOVO	d	GAS CHARGRILL, TOWNGAS, 400X900X250H
593301	MCDAAADOVO	d	GAS CHARGRILL, TOWNGAS, C-BOARD, 400X900X250H
593302	MCDBAHOVO	e	GAS CHARGRILL, TOWNGAS, 800X900X250H
593303	MCDBABHOVO	e	GAS CHARGRILL, TOWNGAS, C-BOARD, 800X900X250H

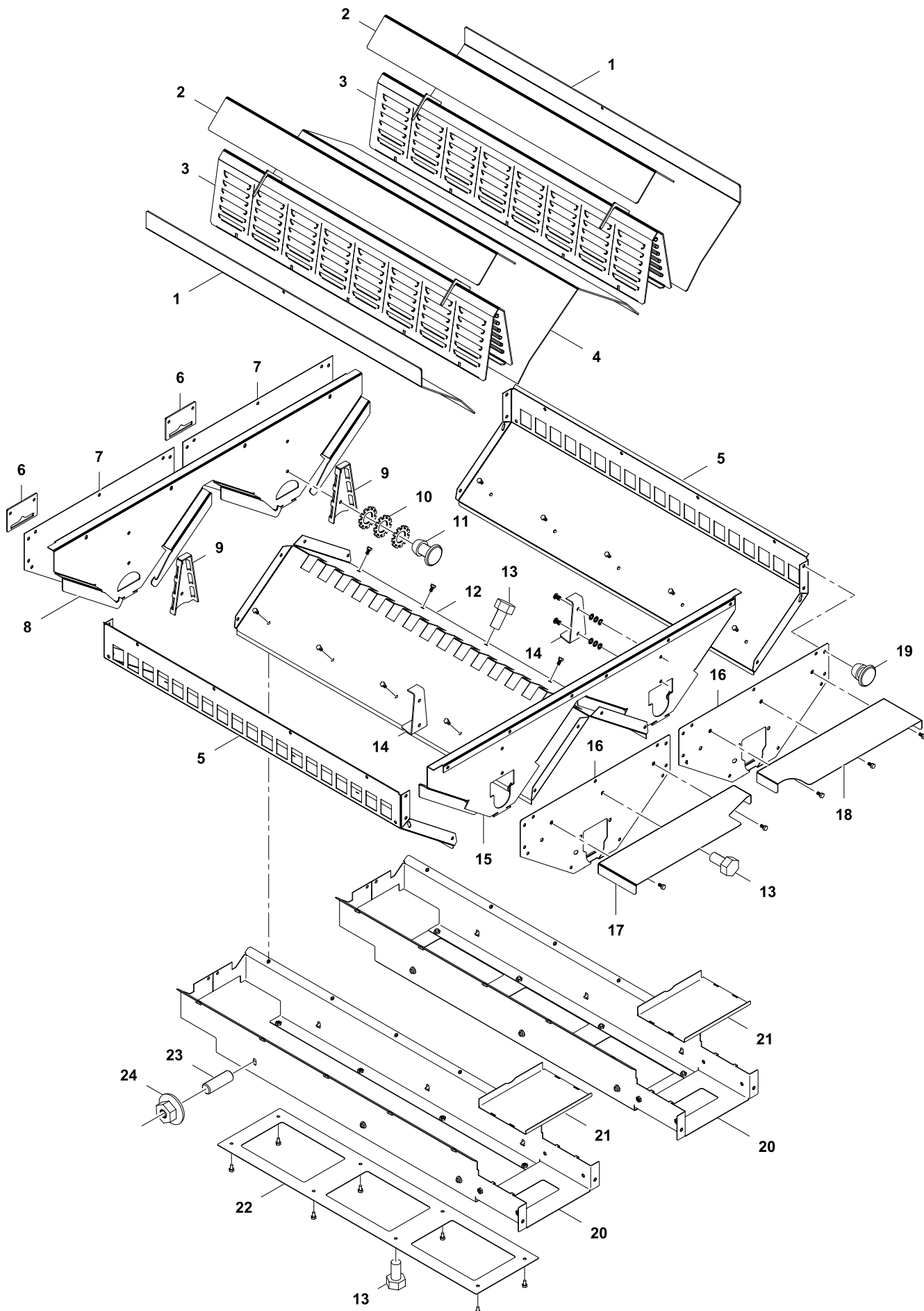
Page	Index
2	Chargrill
4	Mechanical module
6	Gas module

Last Updates	Page
12/2015	all
10/2016	all
04/2017	2-5

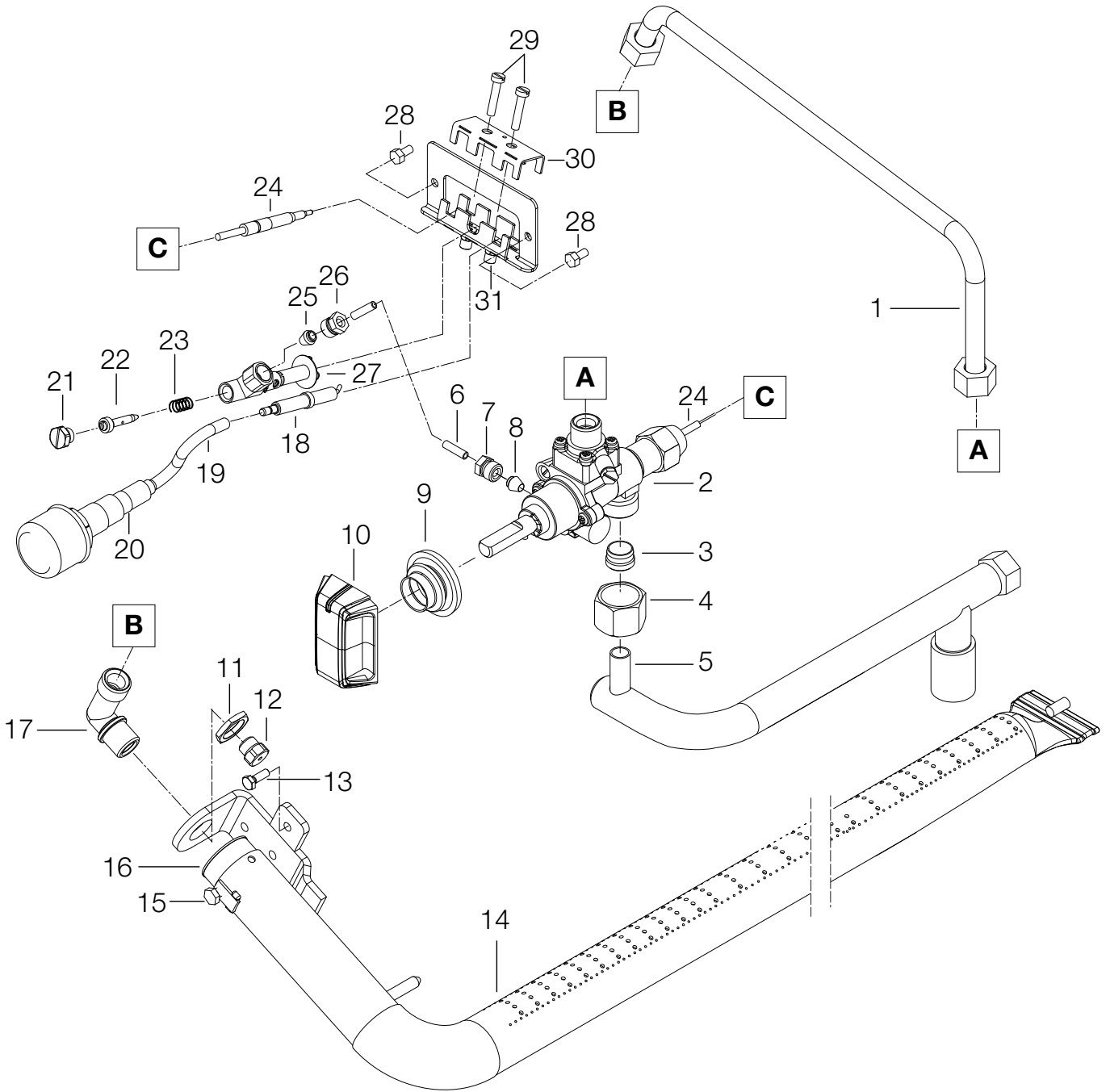
Valid from Ser. № 3101....



1	Alias	Code	Bezeichnung	Description	Ref.	Valid from Serial N°
1	82.4089	0G7669	Spritzschutz rechts	Splash protection right	all types	
2	82.4091.01	0G7670	Spritzschutz hinten 400mm	Splash protection back 400mm	W=400mm	
	82.4091.02	0G7671	Spritzschutz hinten 800mm	Splash protection back 800mm	W=800mm	
	82.4091.03	0G7672	Spritzschutz hinten 1200mm	Splash protection back 1200mm	W=1200mm	
3	82.4090	0G7673	Spritzschutz links	Splash protection left	all types	
4	82.4119	0C6148	Haltegriff Grillrost	Handle	all types	
5	1 701 3008	0G6111	6-kt Mutter M5x0,8D	hex nut M5x0,8D	all types	
6	82.4118	0C7379	Grillrost 672x185	Rost 672x185	all types	
7	82.7464	0C2496	Dichtband selbstklebend	Sealing strip	all types	
8	82.1027.66	*	Bedienblende 400mm	Control panel 400mm	d	
	82.1049.80	*	Bedienblende INOX 400mm	Control panel INOX 400mm	a	
	82.1000.01	*	Blende Rückseite 400mm	Back panel 400mm	d (no C-board)	
	82.1027.82	*	Bedienblende 800mm	Control panel 800mm	e	
	82.1049.69	*	Bedienblende INOX 800mm	Control panel INOX 800mm	b	
	82.1000.05	*	Blende Rückseite 800mm	Back panel 800mm	b (no C-board)	
	82.1027.67	*	Bedienblende 1200mm	Control panel 1200mm	f	
	82.1049.87	*	Bedienblende INOX 1200mm	Control panel INOX 1200mm	c	
	82.1000.08	*	Blende Rückseite 1200mm	Back panel 1200mm	f (no C-board)	
9	1 701 1072	0G6833	Senkschraube M5x25	Countersunk Screw M5x25	all types	
10	82.4323	0C9240	Piezo-Zünder	Piezo knob	all types	
	82.7446	002544	Zündkabel Piezo-Zünder	Ignition cable piezo knob	all types	
11	82.4328	0C6886	Gucklochwippe	Cover	all D850	
12	82.4329	026187	Drehachse Gucklochwippe	Shaft	all D850	
13	75.5006.11	0G7674	Schraube M4x12 USPH	Screw M4x12 USPH	all D850	
14	82.7009	0G6247	Dichtung Drehgriff	Sealing for handle	all types	
15	82.7002	0G6248	Drehgriff	Handle	all types	
	82.7004.03	0G6727	Adapter Drehgriff	Adapter for handle	all types	
16	82.4332	0G7675	Schubladenfutter	Drawer	all types	
	82.4691.01/02		Führungswinkel Schublade	Guiding brackets for drawer	all types	7131...
17	82.4337		Handgriff	Handle	all types	
	82.4686		Handgriff	Handle	all types	7131...
18	82.4335		Schubladenkasten	Drawer inlet	all types	
	82.4685		Schubladenkasten	Drawer inlet	all types	7131...
19	1 701 2629	0G5854	Schraube 6kt M4x12	Hex bolt M4x12	all types	
20	1 701 3502	0G3595	Unterlegscheibe M4	Washer M4	all types	
21	82.4334	0G7644	Frontblech Schublade	Front panel drawer	all types	
	82.2947		Frontblech Schublade	Front panel drawer	all types	7011...
22	82.2209	0G7033	Handgriff Schublade	Handle drawer	all types	
	82.4330	0G7536	Fettschublade komplett (pos. 16-22)	Grease drawer complete (pos. 16-22)	all types	



2	Alias	Code	Bezeichnung	Description	Ref.	Valid from Serial N°
1	82.4104	0G7676	Spiegelwand	Reflector	all types	
2	82.4096	0G7677	Dach Heizkörper	Radiator top cover	all types	
3	82.4121	0C8656	Heizkörper	Radiator	all types	
4	82.4203	0G7678	Spiegelwand mitte	Reflector middle	b c e f	
5	82.4100	0G7679	Seitenwand	Side panel	all types	
	82.4689		Seitenwand	Side panel	all types	7391...
6	82.4204	0G7680	Halter Brenner hinten	Burner support backside	all types	
7	82.4099	0G7681	Stirnblech hinten	Metal sheet backside	all types	
8	82.4103	0G7730	Spiegelwand hinten 400mm	Reflector backside 400mm	W=400mm	
	82.4185	0G7682	Spiegelwand hinten 800mm	Reflector backside 800mm	W=800mm	
	82.4365	0G7683	Spiegelwand hinten 1200mm	Reflector backside 1200mm	W=1200mm	
9	82.4101	0G7684	Halter Heizkörper hinten	Radiator support backside	all types	
10	1 701 7002	0G2923	Fächerscheibe M5	Fan washer M5	all types	
11	1 701 1094	0G7685	Pop Niete 4,8x11	Rivet 4,8x11	all types	
12	82.4197	0G7731	Mittelrichter	Middle adjuster	all types	
	82.4690		Mittelrichter	Middle adjuster	all types	7391...
13	1 701 2503	0G5490	Schraube 6kt M4x8	Hex bolt M4x8	all types	
14	82.4109	0G7732	Halter Heizkörper vorn	Radiator support frontside	all types	
15	82.4102	0G7733	Spiegelwand vorn 400mm	Reflector frontside 400mm	W=400mm	
	82.4187	0G7734	Spiegelwand vorn 800mm	Reflector frontside 800mm	W=800mm	
	82.4366	0G7735	Spiegelwand vorn 1200mm	Reflector frontside 1200mm	W=1200mm	
16	82.4098	0G7736	Stirnblech vorn	Metal sheet frontside	all types	
17	82.4219	0G7737	Wärmestrahlungsschutz links	Thermal shielding panel left	all types	
18	82.4086	0G7738	Wärmestrahlungsschutz rechts	Thermal shielding panel right	b c e f	
19	1 701 1093	0G6569	Pop Niete 4,8x7,6	Rivet 4,8x7,6	all types	
20	82.4084	0G7739	Schubladenfach	Drawer support	all types	
	82.2945		Schubladenfach	Drawer support	all types	6471...
	82.4687		Schubladenfach	Drawer support	all types	7131...
21	82.4085		Deckblech	Cover sheet	all types	
	82.2946		Deckblech	Cover sheet	all types	6471...
	82.4692		Deckblech	Cover sheet	all types	7131...
22	82.4218	0G7745	Boden zu Schubladenfach	Bottom drawer support	all types	
	82.4688		Boden zu Schubladenfach	Bottom drawer support	all types	7131...
23	1 701 5532	0G7217	Gewindestift M4x12	Bolt M4x12	all types	
24	712 044120.04	0G4918	Kepsmutter M4	Keps nut M4	all types	



3	Alias	Code	Bezeichnung	Description	Ref.	Valid from Serial N°
1	82.4190	0G7746	Gaszuleitung komplett rechts	Gas line complete right	W=800/1200	
	82.4191	0G7747	Gaszuleitung komplett links	Gas line complete left	all types	
2	82.7040	0C8647	Gashahn Pintossi	Gas valve Pintossi	all Standard	
	712 344996		Gashahn Pintossi Town Gas	Gas valve Pintossi for town gas	all Towngas	
3	712 345053.01	0G3333	Progressivring	Clamp ring	all types	
4	712 345052.03	0KX142	Überwurfmutter	Sleeve nut	all types	
5	82.4344	0G7748	Gasrampe komplett 400	Gas line complete 400	W=400mm	
	82.4188	0G7749	Gasrampe komplett 800	Gas line complete 800	W=800mm	
	82.4472	0G7750	Gasrampe komplett 1200	Gas line complete 1200	W=1200mm	
6	82.4327	*	Zuleitung Pilotbrenner rechts	Pilot burner gas line right	W=800/1200	
	82.4325	0G7751	Zuleitung Pilotbrenner rechts komplett	Pilot burner gas line right complete	W=800/1200	
	82.4326	*	Zuleitung Pilotbrenner links	Pilot burner gas line left	all types	
	82.4324	0G7752	Zuleitung Pilotbrenner links komplett	Pilot burner gas line left complete	all types	
7	1 701 2759	0G2958	Anschlussnippel	Connection	all types	
8	1 701 2757	0G2960	Klemmring D4	Clamp ring D4	all types	
9	82.7009	0G6247	Dichtung Drehgriff	Sealing for handle	all types	
10	82.7002	0G6248	Drehgriff	Handle	all types	
	82.7004.03	0G6727	Adapter Drehgriff	Adapter for handle	all types	
11	72.7748	020997	Gegenmutter	Counter nut	all types	
12	See nozzle list	-	Düse Hauptbrenner	Main burner nozzle	all types	
13	1 701 2503	0G5490	Schraube 6kt M4x8	Hex bolt M4x8	all types	
14	82.4117	0C8637	Brenner 10.5kW	Burner 10.5kW	all types	
15	*	*	Stellschraube M5	Adjustng screw	all types	
16	*	*	Mischrohr	Aeration pipe	all types	
17	72.7102	0G3635	Düsenräger	Nozzle holder	all types	
18	82.4220	0C7141	Zündelectrode	Ignition electrode	all types	
19	82.7446	002544	Zündkabel Piezo-Zünder	Ignition cable piezo knob	all types	
20	82.4323	0C9240	Piezo-Zünder	Piezo knob	all types	
21	*	*	Kappe Pilotbrenner	Cap pilot burner	all types	
22	See nozzle list	-	Düse Pilotbrenner	Nozzle pilot burner	all types	
23	*	*	Düsenfeder Pilotbrenner	Nozzle spring	all types	
24	82.7064	0G6349	Thermoelement M9x1	Thermocouple m9x1	all types	
25	1 701 2757	0G2960	Klemmring D4 Zündbrennerleitung	Clamp ring D4 pilot gas line	all types	
26	1 701 2759	0G2958	Anschlussnippel Zündbrennerleitung	Connection pilot gas line	all types	
27	82.4116	0C7140	Pilotbrenner komplett 3-weg	Pilot burner complete	all types	
28	1 701 2503	0G5490	Schraube 6kt M4x8	Hex bolt M4x8	all types	
29	75.5006.11	0G7674	Schraube 6kt M4x12 USPH	Hex bolt M4x12 USPH	all types	
30	82.4108	0G7744	Klemme Zündeinrichtung	Clamp ignition union	all types	
31	82.4107	0G7753	Halter Zündeinrichtung	Support ignition union	all types	



Electrolux

thermaline 80 / 85 / 90 Nozzle list / Düsentabelle

Appliance: **CHARGRILL** Nominal heat input: **10.5 kW** Factory Model: **MBDXXXXP/WX** Range: **850 / 900** Doc N°: **82.8051.04**

Town gas: max. 9.5kW / min. 4kW

Town Gas	GAS TYPE	COUNTRY	NOMINAL PRESS.	GAS TYPE <small>Testigas</small>	CATEGORIES	Pressure Regulator ±1%	Nozzle C main burner (Abb. 2)			Small adjusting nozzle (Abb. 3)			Nozzle F ignition burner (Abb. 4)			Aeration adj. PILOT BURNER X (mm) (Abb. 1)	Aeration adj. MAIN BURNER D (mm) (Abb. 1)	Gas Consum.	Gas consumption Lt/min 956.5 mbar Baro / 20°C Sursee Allmendstrasse	
							Type	mm	Alias N°	Spare Part N°	mm	Alias N°	Spare Part N°	N°	Alias N°				Spare Part N°	Min.
Natural Gas	1 G 110	DK, SE	8	G110	1a	-	7.25	51485300	777	Adjust	777	712 345056.03	056796	-	5	2.45 m³/h	-	-		
	2 G 120	SE	8	G120	1b	-	5.50	86517700	777	Adjust	777	712 345056.03	056796	-	5	2.18 m³/h	-	-		
	3		HU	G20	2H	-	2.30	72.7801.40	0A2081	1.80	712 345064.36	0G6593	0G6593	-	5	1.11 m³/h	17.90	18.84	19.78	
	4		AT, CH, DK, EE, ES, FI, GB, GR, IE, IT, LV, NO, PT, SE, SI, SK, BG, CZ, HR, LT, RO, TR, CZ	G25.1	2S	-	2.55	72.7801.41	059529	1.80	712 345064.36	0G4112	0G6593	0G6593	-	4	1.29 m³/h	20.72	21.81	22.90
Liquid Gas	5 Natural Gas H		20	G20	2H	-	2.45	72.7801.11	058980	1.80	712 345064.36	0G4112	0G6593	0G6593	5	1.11 m³/h	17.90	18.84	19.78	
	6 Natural Gas E	DE, LU, PL	20	G20	2E	-	2.45	72.7801.11	058980	1.80	712 345064.36	0G4112	0G6593	0G6593	5	1.11 m³/h	17.90	18.84	19.78	
	7 Natural Gas H/L Pressure Couple	BE, FR	20/25	G25	2E+	-	2.45	72.7801.11	058980	1.80	712 345064.36	0G4112	0G6593	0G6593	5	1.11 m³/h	17.90	18.84	19.78	
	8 Natural Gas L	NL	25	G25	2L	-	2.55	72.7801.41	059529	1.80	712 345064.36	0G4112	0G6593	0G6593	5	1.29 m³/h	20.72	21.81	22.90	
	9 Natural Gas LL	DE	20	G25	2LL	-	2.70	72.7801.20	056795	1.80	712 345064.36	0G4112	0G6593	0G6593	5	1.29 m³/h	20.82	21.91	23.01	
	11 Propan	CH, DE, FR, HU, NL	50	G31	3P	-	1.50	72.7801.47	059384	1.05	712 345064.42	002992	056799	056799	10	0.83 Kg/h	6.72	7.07	7.43	
	12 Butan/Propan	PL	37				-	1.50	72.7801.47	059384	0.95	712 345064.41	002392	056799	056799	10	0.82 Kg/h	5.16	5.43	5.70
	13 Butan/Propan Pressure Couple	CZ, CY, DK, EE, FI, HU, LV, LT, MT, NL, NO, SE, SI, SK, BG, HR, IS, RO, TR	30	G30/31	3B/P	-	1.60	72.7801.29	0A2089	1.10	712 345064.39	0G6598	0G6598	056799	10	0.82 Kg/h	5.20	5.47	5.75	
	14		AT, CH, DE	50			-	1.40	72.7801.13	0A2082	0.95	712 345064.41	002392	056799	056799	10	0.82 Kg/h	5.09	5.36	5.63
	15 Butan/Propan Pressure Couple	BE, CH, ES, FR, GB, GR, IE, IT, PT, LT, SI, CZ, EE, LV, SK	28-30 / 37	G30/31	3+	-	1.60	72.7801.29	0A2089	1.10	712 345064.39	0G6598	056799	056799	10	0.82 Kg/h	5.20	5.47	5.75	

Abb. 1

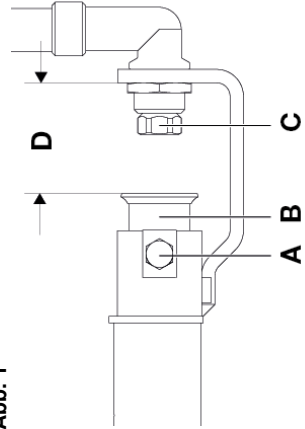


Abb. 2

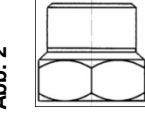


Abb. 3

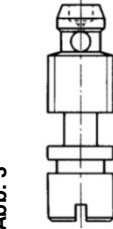


Abb. 4

