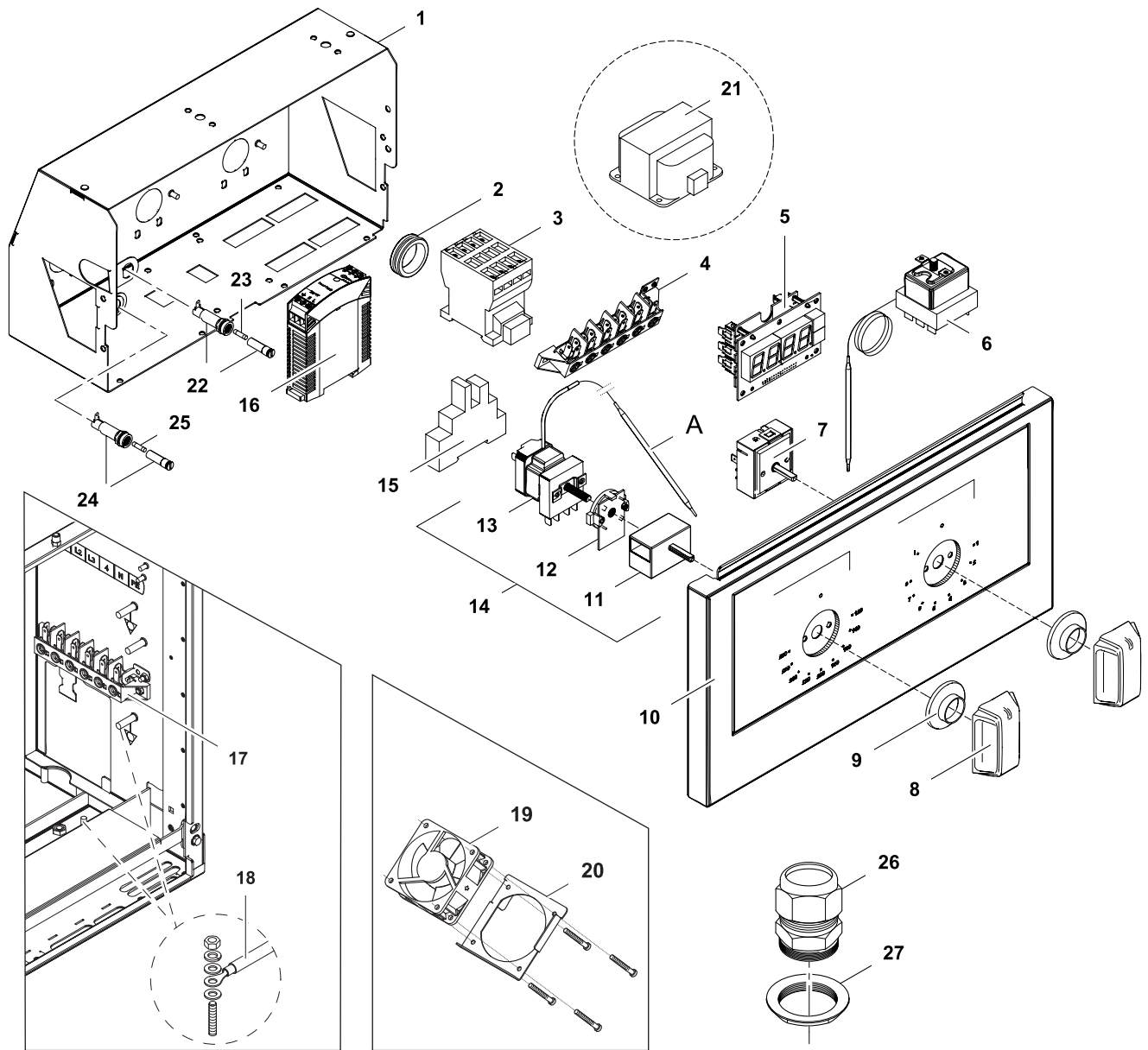


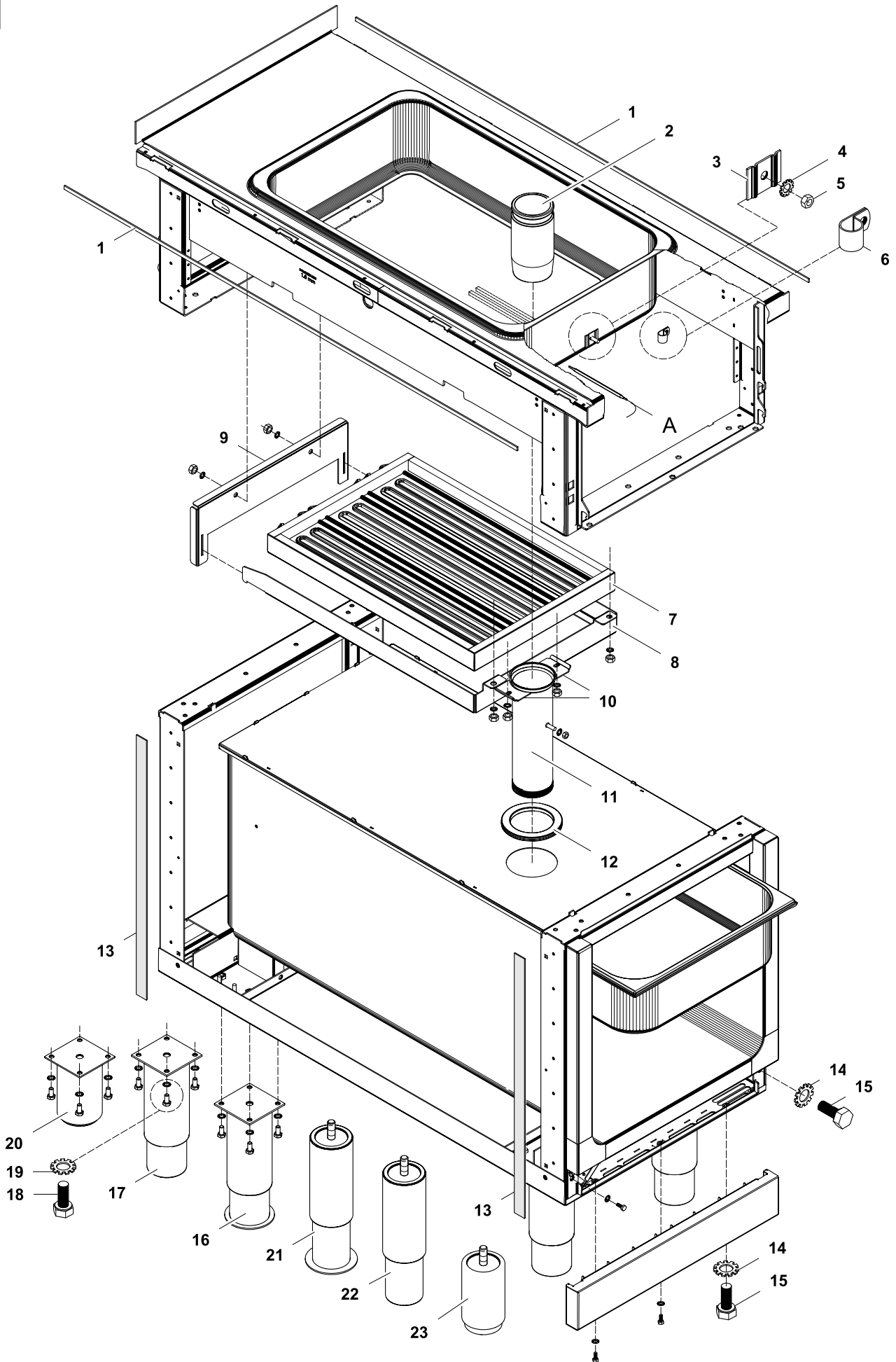
DE ELEKTRISCHER BRATHERD
EN ELECTRIC MULTIBRAISER

PNC	Factory Model	Ref.	Description
588183	MAAAEADDAO	a	1/1 GN, 400X800X700H
588184	MAAAEBDDAO	a	1/1 GN, C-BOARD, 400X800X700H
588277	MAAAFADDAO	b	1/1 GN, 400X800X800H
588278	MAAafbDDAO	b	1/1 GN, C-BOARD, 400X800X800H
588612	MBAAGBDDAO	c	1/1 GN, C-BOARD, 400X850X700H
589266	MCAAEADDAO	d	1/1 GN, 400X900X700H
589267	MCAAEbDDAO	d	1/1 GN, C-BOARD, 400X900X700H
589435	MCAAFADDAO	e	1/1 GN, 400X900X800H
589436	MCAAFbDDAO	e	1/1 GN, C-BOARD, 400X900X800H
588189	MAADEAHDAO	f	2/1 GN, 800X800X700H
588190	MAADEbHDAO	f	2/1 GN, C-BOARD, 800X800X700H
588283	MAADFAHDAO	g	2/1 GN, 800X800X800H
588284	MAADfbHDAO	g	2/1 GN, C-BOARD, 800X800X800H
588615	MBADGBHDAO	h	2/1 GN, C-BOARD, 800X850X700H
589272	MCADEAHDAO	i	2/1 GN, 800X900X700H
589273	MCADEbHDAO	i	2/1 GN, C-BOARD, 800X900X700H
589441	MCADFAHDAO	j	2/1 GN, 800X900X800H
589442	MCADfbHDAO	j	2/1 GN, C-BOARD, 800X900X800H
589818	MCAGEAD1DM	k	MARINE* 1/1 GN, 400X900X700
589819	MCAHEAHIDM	l	MARINE* 2/1 GN, 800X900X700

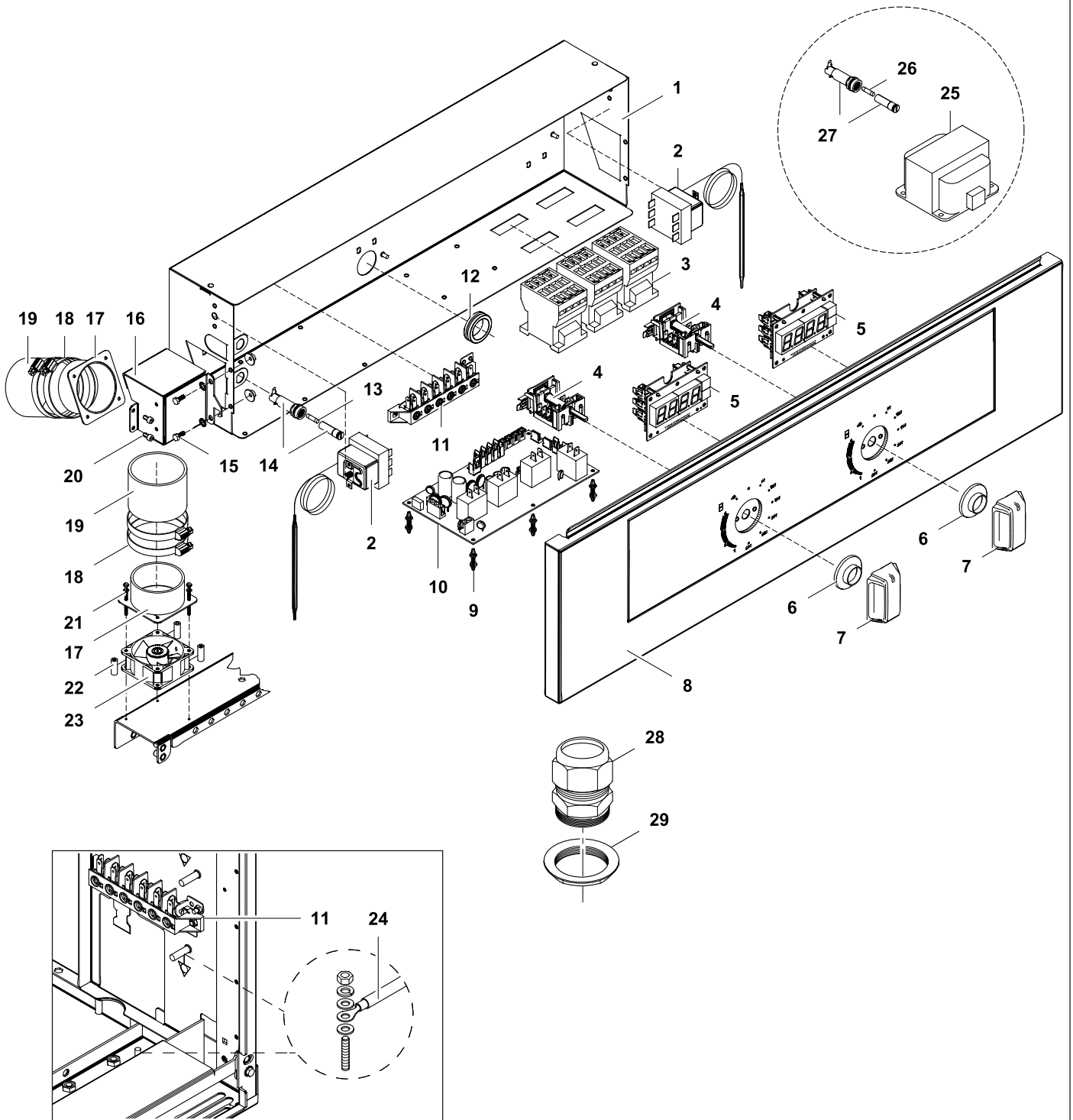
Page	Index	Last Updates	Page	Ref.
2	Multibraiser 1/1 GN	12/2015	all	
6	Multibraiser 2/1 GN	01/2016	all	
		04/2017	4/9	
		10/2017	5/9	2/2
		11/2017	3/7	22/14
		11/2017	5/9	22,23/15,16
	Valid from Ser. № 3101....	11/2017	7	



1	Alias	Code	Bezeichnung	Description	Ref.	Valid from Serial N°
1	82.3010	OG7303	Elektrobox	Electrical compartment	a b c d e k	
2	712 044961.17	OKT854	Kabeltülle Ø25/Ø31/Ø35	Cable sleeve Ø25/Ø31/Ø35	a b c d e k	
3	1 115 1757	OG4645	Schütz K3-14X027 + K2-E230	Contactactor K3-14X027 + K2-E230	a b c d e k	
4	82.7023	058613	Klemme FV122	Terminal FV122	a b c d e k	
5	82.9115.04	OG6305	EUROTAS Display Multibraiser	EUROTAS Display Multibraiser	a b d e k	
6	82.9053	004269	Sicherheitsthermostat 360°C-25K	Safety thermostat 360°C-25K	a b c d e k	
7	75.0011	0C1605	Energeregler 230V	Energy regulator 230V	a b c d e k	
8	82.9124.05	OG6373	Drehgriff mit Adapter 180°x6.0	Handle with adapter 180°x6.0	a b c d e k	
9	82.7009	OG6247	Dichtung Drehgriff	Sealing for handle	a b c d e k	
10	82.1027.59	*	Bedienblende Multibraiser 1/IGN	Control panel Multibraiser 1/IGN	a b d e k	
	82.1049.81	*	Bedienblende INOX Multibraiser 1/IGN	Control panel INOX Multibraiser 1/IGN	c	
	72.5938.04	OKI362	Anzeigelampe, grün	Indicator light, green	c	
	72.5938.08	OKI364	Einsteckfassung, grün/gelb, Ø10mm	Lamp holder, green/yellow, Ø10mm	c	
	72.5938.03	OKI361	Anzeigelampe, klar	Indicator light, transparent	c	
	72.5938.07	OKI363	Einsteckfassung, klar, Ø10mm	Lamp holder, transparent, Ø10mm	c	
11	62.1506	OG2759	Drehwinkelschalter	Rotary switch	a b d e k	
12	82.9095	OG6393	Potentiometer 10 für Display	Potentiometer 10 for display	a b d e k	
13	82.7359	002109	Schalter mit Thermostat 80-270°C	Thermostat switch 80-270°C	a b c d e k	
14	82.9114	OG6319	Schalter off-line 3/4+Regler 260°C+10K Poti	Assembled switch 260°C+10K Potentiometer	a b d e k	
15	82.9174	OG6750	Relais 230V SCHRACK	Relay 230V SCHRACK	a b d e k	
16	82.9030	OG6075	DC Power Supply 12V	DC Power Supply 12V	a b d e k	
17	82.7023	058613	Klemme FV122	Terminal FV122	a b c d e k	
18	82.9103	OG6424	Kabel Haupterd draht L400 6mm²	Main earthing cable L400 6mm²	a b c d e k	
19	82.7159	OG6274	Ventilator 60x60x25 622HH (3.5W)	Cooling fan 60x60x25 622HH (3.5W)	a b c d e k	
	82.7537	OG7488	Ventilator 60x60x25 PWM	Cooling fan 60x60x25 PWM	a b c d e k	5361....
20	82.3009	*	Halteblech Ventilator	Cooling fan support	a b c d e k	
	1 701 1083	OG5755	Zylinderschraube M3x30	Socket cap screw M3x30	a b c d e k	
	1 701 3540	2K1478	Unterlegscheibe M3	Washer M3	a b c d e k	
21	82.9209	006710	Autotransformator 0-240-400-440V 150VA	Autotransformer 0-240-400-440V 150VA	k	
22	87.9204	0CB130	Sicherungshalter 6.3X32 500V	Fuse holder 6.3X32 500V	k	
23	82.9171	OTTR73	Sicherung 6.3X32 0.63A 500V	Fuse 6.3X32 0.63A 500V	k	
24	82.7093	056582	Sicherungshalter	Fuseholder	k	
25	712 344362.01	OG5814	Sicherung 5X20 1 00 A	Fuse 5X20 1 00 A	k	
26	82.2908	0C0068	Kabelverschraubung PG21	Cable gland PG21	all types	
27	82.9226	OG7024	Gegenmutter Kabelverschraubung PG21	Lock nut PG21	all types	
	82.9105	OG6306	Kabel: Multibraiser 1Z XD	Cable: Multibraiser 1Z XD	c	
	82.9230		Kabel: Multibraiser 1Z	Cable: Multibraiser 1Z	a b d e k	
	82.9096	OG7419	Kabel: Poti(EGO)-Display crossover L200	Cable: Poti(EGO)-Display crossover L200	a b d e k	
	82.9173		Kabel: Relais-Schalter-Display	Cable: Relais-Switch-Display	a b d e k	
	82.9242	OG7608	Kabel: Relais-Display-Ventilator	Cable: Relais-Display-Ventilator	a b d e k	5361....
	82.9011	OG7365	Kabel: Trafo-Display-Ventilator	Cable: Transformer-Display-Ventilator	a b d e k	
	82.9110	OG7172	Kabel: Trafo-Display L450	Cable: Transformer-Display L450	a b d e k	5361....
	82.9035.01	OG6982	Kabel: X0-X1 Hauptzuleitung L1500	Cable: X0-X1 Mains L1500	a b c d e k	
	82.9233		Kabel: Multibräter 1Z Marine Kabel	Cable: Multibraiser 1Z Marine Cable	k	

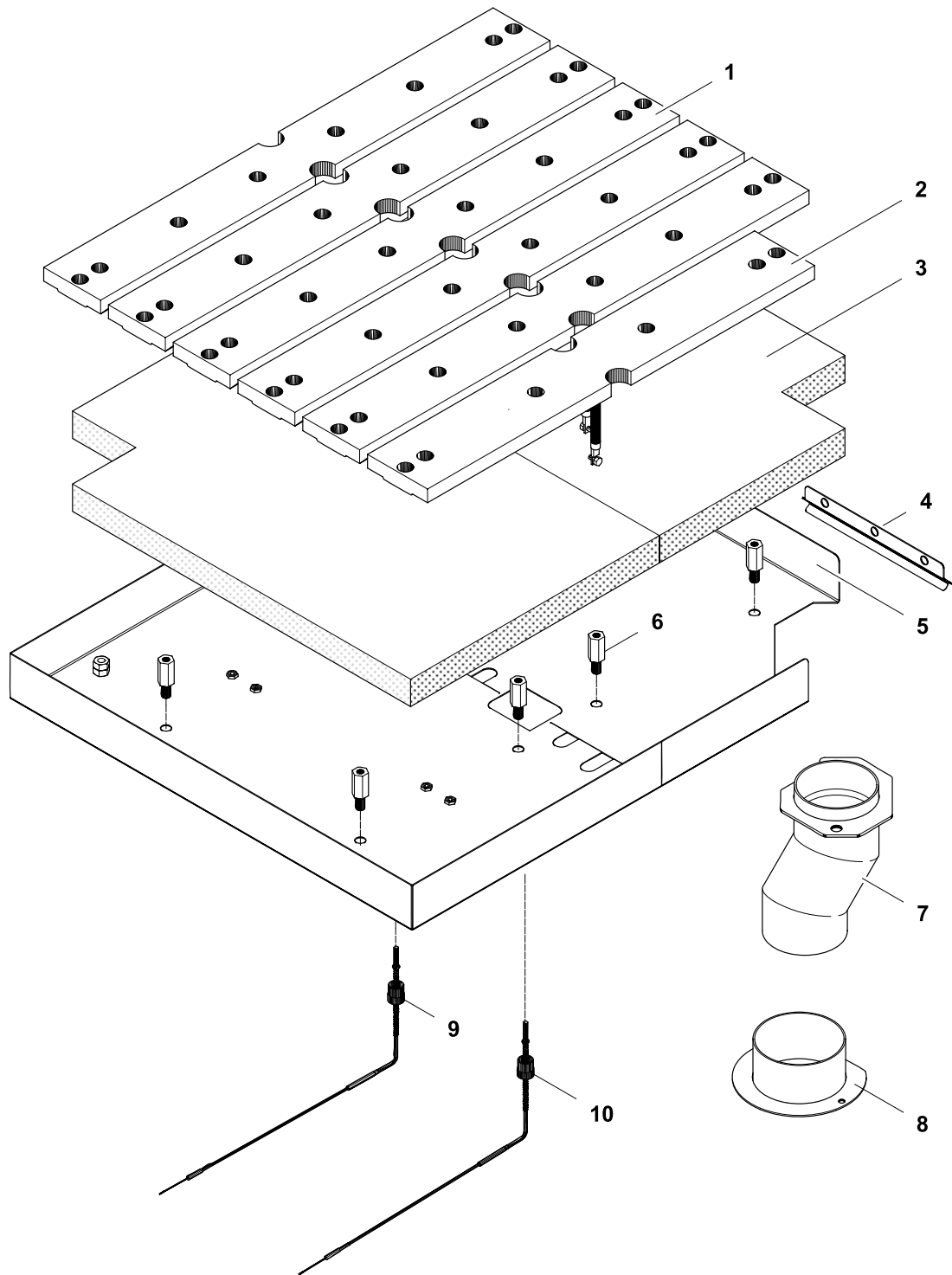


2	Alias	Code	Bezeichnung	Description	Ref.	Valid from Serial N°
1	82.7464	0C2496	Dichtband (Schaumstoff-Silikon, klebend)	Sealing strip	a b c d e k	
2	82.7580	0C9001	Stöpsel Bratherd	Plastic stopper, Multibraiser	a b c d e k	7091...
3	82.2466	051383	Kapillarrohr Befestigung	Capillary probe holder	a b c d e k	
4	1 701 7002	0G2923	Fächerscheibe M5	Fan washer M5	a b c d e k	
5	712 044120.05	0G3998	Sechskantmutter M5	Hex nut M5	a b c d e k	
6	1 115 1635	0T1791	Abschirmschelle K-8104 für Kabel Ø11,1	Screening bracket K-8104 for cable Ø11,1	a b c d e k	
7	82.7475.01	0G6751	Heizung 3x1.67kW/230V (400V/5kW/7.2A)	Heating 3x1.67kW/230V (400V/5kW/7.2A)	a b c d e	
	82.7475.03	0G6752	Heizung 3x1.67kW/208V (208V/5kW/13.9A)	Heating 3x1.67kW/208V (208V/5kW/13.9A)	(UL)	
	82.7475.07	0G6883	Heizung 3x1.67kW/254V (440V/5kW/6.6A)	Heating 3x1.67kW/254V (440V/5kW/6.6A)	k	
8	82.2470	*	Heizung Rahmen	Heating frame	a b c d e k	
9	82.2469	*	Heizung Halter	Heating support	a b c d e k	
10	82.2468	*	Ablaufblech	Drain support	a b c d e k	
	82.2963	*	Halter Ablauf	Drain support	a b c d e k	6481...
11	82.7341	0C2831	Ablaufrohr, geschweißt	Drain pipe, welded	a b c d e	
	82.3057		Ablaufrohr, geschweißt	Drain pipe, welded	k	6011...
12	82.7342	053829	Dichtungsmanschette Ø86/61	Sealing collar Ø86/61	a b c d e k	
13	82.7467	0C7307	Dichtung Geräte seitwärts (NM)	Side-sealing strip	a b c d e k	
14	1 701 7002	0G2923	Fächerscheibe M5	Fan washer M5	a b c d e k	
15	1 701 2507	0G4653	Sechskantschraube M5x16	Hex bolt M5x16	a b c d e k	
16	83.3728	0G6886	Stellfuß 2" Marine 145-252mm	Adjustable feet 2" Marine 145-252mm	k	
17	86.0001	0G5391	Stellfuß 2" 145-252mm rund	Adjustable feet 2" 145-252mm, round	a c d	
18	1 701 2600	OKT919	Sechskantschraube M6x12	Hex bolt M6x12	a b c d e k	
19	1 701 5051	0G6753	Fächerscheibe M6	Fan washer M6	a b c d e k	
20	86.2385	0G6140	Stellfuß 2" 100mm	Adjustable feet 2" 100mm	b e	
21	82.0350.03		Stellfuss M10 200mm Marine	Foot M10 200mm Marine	k	7141...
22	82.0350.01	0G7958	Stellfuss M10 200mm	Foot M10 200mm	a c d	7141...
23	82.0350.02	0G7957	Stellfuss M10 100mm	Foot M10 100mm	b e	7141...

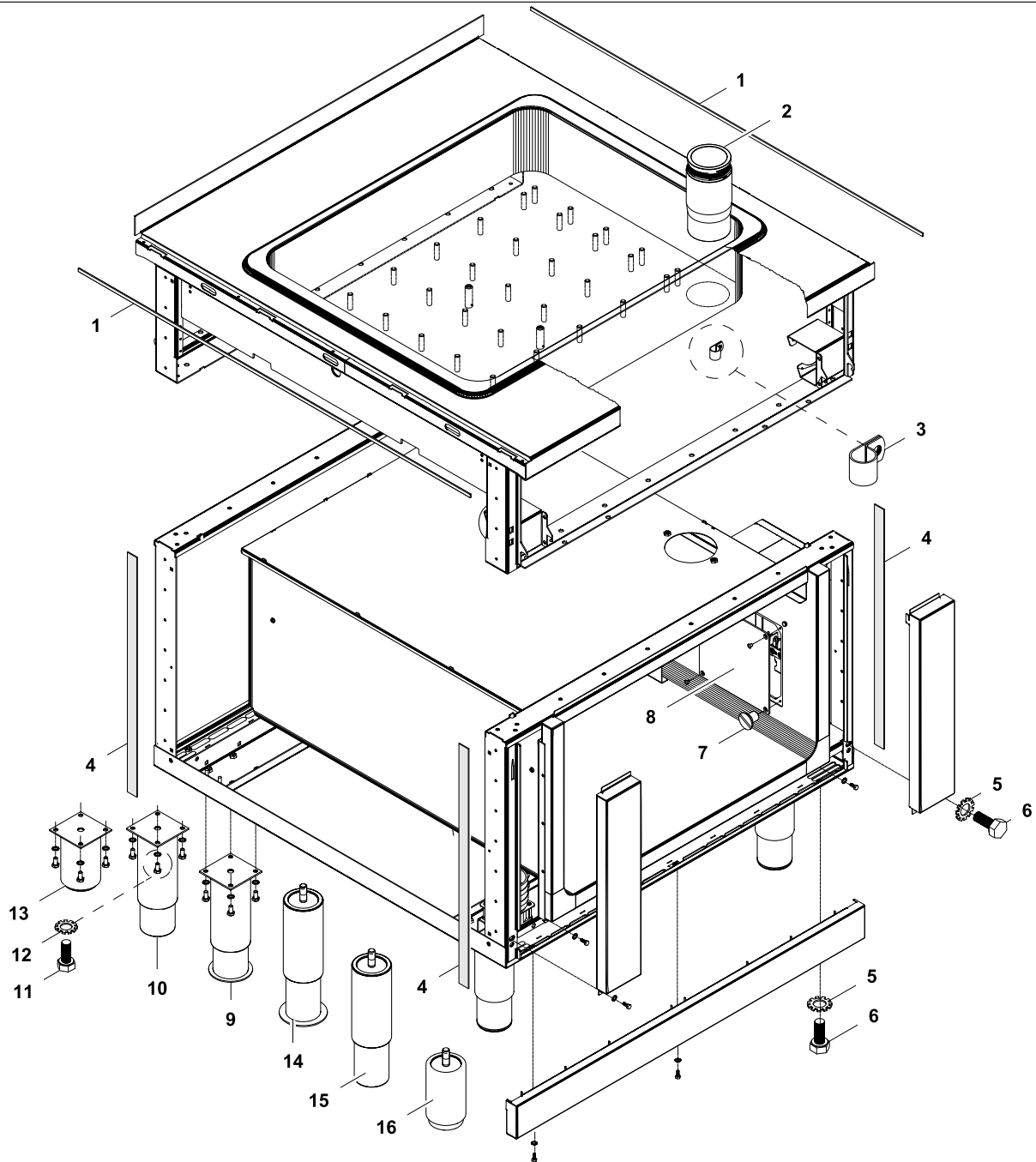


3	Alias	Code	Bezeichnung	Description	Ref.	Valid from Serial N°
1	82.3021	*	Elektrobox 800+	Electronic box 800+	f g h i j l	
2	62.1527	0G2825	Sicherheitsthermostat 295°C-20K	Safety thermostat 295°C-20K	f g h i j l	
3	1 115 1757	0G4645	Schütz K3-14x027	Conductor K3-14x027	f g h i j l	
4	82.9018	0G6310	Schalter off-line 5 Stufen + 10k Potentiometer	Switch off-line 5 steps + 10k potentiometer	f g h i j l	
5	82.7015	0G6246	EUROTAS Display	EUROTAS display	f g i j l	
6	82.7009	0G6247	Dichtung Drehgriff	Sealing for handle	f g h i j l	
7	82.9124.01	0G6369	Drehgriff mit Adapter 0°x6.0	Handle with adapter 0°x6.0	f g h i j l	
8	82.1027.60	*	Bedienblende Multibraiser 2/1 GN	Control panel Multibraiser 2/1GN	f g i j l	
	82.1049.60	*	Bedienblende INOX Multibraiser 2/1 GN	Control panel INOX Multibraiser 2/1GN	h	
	72.5938.04	OKI362	Anzeigelampe grün	Indicator light, green	h	
	72.5938.08	OKI364	Einsteckfassung grün/gelb Ø10mm	Lamp holder, green/yellow, Ø10mm	h	
	72.5938.03	OKI361	Anzeigelampe klar	Indicator light, transparent	h	
	72.5938.07	OKI363	Einsteckfassung klar Ø10mm	Lamp holder, transparent, Ø10mm	h	
9	75.5000.05	0G4212	Distanzhalter Kunststoff	Plastic spacer support	f g h i j l	
10	82.7014.KD	0G6221	Mainboard SPARTA	Mainboard SPARTA	f g h i j l	
11	82.7023	058613	Klemme KV122	Cable terminal KV122	f g h i j l	
12	712 044961.17	OKT854	Kabeltülle Ø25/Ø31/Ø35	Cable sleeve Ø25/Ø31/Ø35	f g h i j l	
13	712 344362.01	0G5814	Sicherung 5x20 1AF	Fuse 5x20 1AF	f g h i j l	
	82.9171	OTTR73	Sicherung 6.3x32 0.63A 500V	Fuse 6.3x32 0.63A 500V	l	
14	82.7093	056582	Halter Sicherung	Fuse holder	f g h i j	
	87.9204	OCB130	Sicherungshalter 6.3X32 500V	Fuse holder 6.3X32 500V	l	
15	1 701 2579	0G4020	Sechskantschraube M5x16	Hex bolt M5x16	f g h i j l	
	1 701 7002	0G2923	Fächerscheibe M5	Fan washer M5	f g h i j l	
	712 044120.05	0G3998	Kepsmutter M5	Hex nut M5	f g h i j l	
16	82.3001	*	Standardventilationsbox links	Ventilation box left	f g h i j l	
17	82.7550.01	0G7868	Rohrstutzen gerade	Pipe socket straight	f g h i j l	
18	1 201 2105	0G6754	Schlauchschele 60-115mm	Hose clamp 60-115mm	f g h i j l	
19	83.9010	0G6701	Alu-Flexschlauch Ø60/66	Flexible aluminium hose Ø60/66	f g h i j l	
20	1 101 8170	0G3250	Innensechskantschraube M4x8	Allen bolt M4x8	f g h i j l	
21	1 701 1083	0G5755	Zylinderschraube M3x30	Socket cap screw M3x30	f g h i j l	
	1 701 3540	2KI478	Unterlegscheibe M3	Washer M3	f g h i j l	
22	82.0133	0G6755	Verstärkungsrohr Ventilator	Cooling fan support	f g h i j l	
23	82.7159	0G6274	Ventilator 60x60x25 622HH (3.5W)	Cooling fan 60x60x25 622HH (3.5W)	f g h i j l	
24	82.9103	0G6424	Kabel Haupterd draht L400 6mm²	Main earthing cable L400 6mm²	f g h i j l	
25	82.9209	006710	Autotransformator 0-240-400-440V 150VA	Autotransformer 0-240-400-440V 150VA	l	
26	82.7093	056582	Sicherungshalter	Fuse holder	l	
27	712 344362.01	0G5814	Sicherung 5x20 1A	Fuse 5x20 1A	l	
28	82.2908	0C0068	Kabelverschraubung PG21	Cable gland PG21	all types	
29	82.9226	0G7024	Gegenmutter Kabelverschraubung PG21	Lock nut PG21	all types	
	82.9023	0G6961	Kabel: Sparta-Display L500	Cable: Sparta-Display L500	D800/900	
	82.9002	0G6897	Kabel: Display-Display (Länge 290mm)	Cable: Display-Display (Länge 290mm)	D800/900	
	82.9003	0G6899	Kabel: Poti-Display L200	Cable: Poti-Display L200	D800/900	
	82.9044.01	0G6965	Kabel: Sparta-Poti L=500	Cable: Sparta-Poti L=500	D850	
	82.9025	0G7018	Kabel: XI-Sicherung-Schalter	Cable: XI-Fuse-Switch	all types	
	82.9058	0G7019	Kabel: Sparta-N-Schalter-P	Cable: Sparta-N-Switch-P	all types	
	82.9022.01	0G7036	Kabel: Schalter SI-Schalter S2 kurz	Cable: Switch SI-Switch S2 kurz	all types	
	82.9009	0G6906	Kabel: Sparta-Ventilator (Länge 2000mm)	Cable: Sparta-Ventilator (Länge 2000mm)	all types	
	82.9036	0G7037	Kabel: XI-Schütz-Sparta	Cable: XI-Schütz-Sparta	all types	
	82.9031	0G7020	Kabel: XI-F2-Sparta-Heizungen	Cable: XI-F2-Sparta-Heizungen	all types	
	82.9032	0G7038	Kabel: XI-F3-K2-Heizungen	Cable: XI-F3-K2-Heizungen	all types	
	82.9038.01	0G7182	Kabel: Anzeigelampen S1-H1-X1.N	Cable: Indicators S1-H1-X1.N	D850	
	82.9038.02	0G7183	Kabel: Anzeigelampen S2-H2-X1.N	Cable: Indicators S2-H2-X1.N	D850	
	82.9057	0G7021	Kabel: Anzeigelampe-Relais L450	Cable: Indicator-Relais L450	D850	
	82.9049.02	0G6967	Kabel: Anzeigelampen L400	Cable: Indicators L400	D850	
	82.9035.02	0G7307	Kabel: X0-X1 Hauptzuleitung	Cable: X0-X1 Hauptzuleitung	all types	
	82.9246		Kabelbaum: Multibraiser 2Z Marine	Wiring: Multibraiser 2Z Marine	Marine	

* Components on demand
* Teile auf Anfrage



4	Alias	Code	Bezeichnung	Description	Ref.	Valid from Serial N°
1	86.7004.01	OG4604	Heizelement 230V - 1.7kW	Heating element 230V - 1.7kW	f g h i j l	
2	86.7005.01	OG4606	Heizelement 230V - 1.7kW (kurz)	Heating element 230V - 1.7kW (short)	f g h i j l	
3	82.7263	OG6756	Isolation Heizelement	Heating element insulation	f g h i j l	
4	82.2462	*	STB Halter	Capillary probe holder	f g h i j l	
5	82.2244	*	Abdeckung Isolation	Insulation cover	f g h i j l	
6	1 115 1772	OG4896	Distanzhalter M8x25	Hexagon head spacer M8x25	f g h i j l	
7	82.7214	*	Ablaufstutzen	Drain pipe	f g h i j l	
8	62.4202	*	Rohr Ablauf - Bratherd	Drain flange	f g h i j l	
9	87.9045	OG5935	TC Boden Sensor blau	TC bottom sensor, blue	f g h i j l	
10	87.9046	OG5934	TC Boden Sensor grün	TC bottom sensor, green	f g h i j l	



5	Alias	Code	Bezeichnung	Description	Ref.	Valid from Serial N°
1	82.7464	0C2496	Dichtband (Schaumstoff-Silikon, klebend)	Sealing strip	f g h i j l	
2	72.5361	0G2860	Stöpsel Bratherd	Plastic stopper Multibraiser	f g h i j l	
3	1 115 1635	0T1791	Abschirmschelle K-8104 für Kabel Ø 11,1	Screening bracket K-8104 for cable Ø 11,1	f g h i j l	
4	82.7467	0C7307	Dichtung Geräte seitwärts (NM)	Side-sealing strip	f g h i j l	
5	1 701 7002	0G2923	Fächerscheibe M5	Fan washer M5	f g h i j l	
6	1 701 2507	0G4653	Sechskantschraube M5x16	Hex bolt M5x16	f g h i j l	
7	1 1701 1145	0G6758	Senkkopfschraube M4x6	Countersunk screw M4x6	f g h i j l	
8	82.0223.01	0G6757	Deckel Servicefenster	Cover plate	f g h i j l	
9	83.3728	0G6886	Stellfuß 2" Marine 145-252mm	Adjustable feet 2" Marine 145-252mm	l	
10	86.0001	0G5391	Stellfuß 2" 145-252mm rund	Adjustable feet 2" 145-252mm, round	f h i	
11	1 701 2600	0KT919	Sechskantschraube M6x12	Hex bolt M6x12	f g h i j l	
12	1 701 5051	0G6753	Fächerscheibe M6	Fan washer M6	f g h i j l	
13	86.2385	0G6140	Stellfuß 2" 100mm	Adjustable feet 2" 100mm	g j	
14	82.0350.03		Stellfuss M10 200mm Marine	Foot M10 200mm Marine	k	7141...
15	82.0350.01	0G7958	Stellfuss M10 200mm	Foot M10 200mm	a c d	7141...
16	82.0350.02	0G7957	Stellfuss M10 100mm	Foot M10 100mm	b e	7141...