

**DE** INDUKTIONSSHERDE  
**EN** INDUCTION COOKER

**INDUCTION COOKER**

PNC	Factory Model	Ref.	Description
588019	MAIBAADOAO	a	INDUCTION TOP, 2 ZONES, 1-SIDE, 400X800X250H
588020	MAIBABDOAO	a	INDUCTION TOP, 2 ZONES, 1-SIDE, C-BOARD, 400X800X250H
588021	MAIBACDOAO	b	INDUCTION TOP, 2 ZONES, 2-SIDES, 400X800X250H
588022	MAIDAAHOAO	c	INDUCTION TOP, 4 ZONES, 1-SIDE, 800X800X250H
588023	MAIDABHOAO	c	INDUCTION TOP, 4 ZONES, 1-SIDE, C-BOARD, 800X800X250H
588024	MAIDACHOAO	d	INDUCTION TOP, 4 ZONES, 2-SIDES, 800X800X250H
588508	MBIBBDOAO	e	INDUCTION TOP, 2 ZONES, 1-SIDE, C-BOARD, 400X850X250H
588509	MBIDBBHOAO	f	INDUCTION TOP, 4 ZONES, 1-SIDE, C-BOARD, 800X850X250H
589025	MCIBAAEOAO	g	INDUCTION TOP, 2 ZONES, 1-SIDE, 500X900X250H
589026	MCIBABEOAO	g	INDUCTION TOP, 2 ZONES, 1-SIDE, C-BOARD, 500X900X250H
589027	MCIBACEOAO	h	INDUCTION TOP, 2 ZONES, 2-SIDES, 500X900X250H
589028	MCIDAAJOAO	i	INDUCTION TOP, 4 ZONES, 1-SIDE, 1000X900X250H
589029	MCIDABJOAO	i	INDUCTION TOP, 4 ZONES, 1-SIDE, C-BOARD, 1000X900X250H
589030	MCIDACJOAO	j	INDUCTION TOP, 4 ZONES, 2-SIDES, 1000X900X250H

**INDUCTION WOK, INDUCTION WOK & PLATE**

PNC	Factory Model	Ref.	Description
588025	MAIHAAEOAO	k	INDUCTION WOK, 1 ZONE, 1-SIDE, 500X800X250H
588026	MAIHABEOAO	k	INDUCTION WOK, 1 ZONE, 1-SIDE, C-BOARD, 500X800X250H
588511	MBIHBBEOAO	l	INDUCTION WOK, 1 ZONE, 1-SIDE, C-BOARD, 500X850X250H
588512	MBIJBBEOAO	m	INDUCTION WOK & PLATE, 2 ZONES, 1-SIDE, C-BOARD, 500X850X250H
589034	MCIHAAEOAO	n	INDUCTION WOK, 1 ZONE, 1-SIDE, 500X900X250H
589035	MCIHABEOAO	n	INDUCTION WOK, 1 ZONE, 1-SIDE, C-BOARD, 500X900X250H
589038	MCIJAAEOAO	o	INDUCTION WOK & PLATE, 2 ZONES, 1-SIDE, 500X900X250H
589040	MCIJABEOAO	o	INDUCTION WOK & PLATE, 2 ZONES, 1-SIDE, C-BOARD, 500X900X250H
589042	MCIKACEOAO	p	INDUCTION PLATE & WOK, 2 ZONES, 2-SIDES, 500X900X250H

	Last Updates	Page	Ref.
Valid from Ser. № 3101....	12/2015	all	
	11/2016	4-9/15/24	
	12/2016	5/9/11	
	04/2017	all	
	06/2017		
	11/2017	5/7/9	8/5/8

## INDUCTION ON WARMING CABINET

PNC	Factory Model	Ref.	Description
588433	MAIQEAH4AO	q	INDUCTION ON WARMING CABINET H2, 1-SIDE, 800X800X700H
588434	MAIQEBH4AO	q	INDUCTION ON WARMING CABINET H2, 1-SIDE, C-BOARD, 800X800X700H
588435	MAIRECH4AO	r	INDUCTION ON WARMING CABINET PASSTHROUGH H2, 2-SIDES, 800X800X700H
588436	MAIQFAH4AO	s	INDUCTION ON WARMING CABINET H2, 1-SIDE, 800X800X800H
588437	MAIQFBH4AO	s	INDUCTION ON WARMING CABINET H2, 1-SIDE, C-BOARD, 800X800X800H
588438	MAIRFCH4AO	t	INDUCTION ON WARMING CABINET PASSTHROUGH H2, 2-SIDES, 800X800X800H
588698	MBIIGBH4AO	u	INDUCTION ON WARMING CABINET NHC, 1-SIDE, C-BOARD, 800X850X700H
588703	MBIQGBH4AO	u	INDUCTION ON WARMING CABINET H2, 1-SIDE, C-BOARD, 800X850X700H
589671	MCIQEAJ4AO	v	INDUCTION ON WARMING CABINET H2, 1-SIDE, 1000X900X700H
589672	MCIQEBJ4AO	v	INDUCTION ON WARMING CABINET H2, 1-SIDE, C-BOARD, 1000X900X700H
589673	MCIRECJ4AO	w	INDUCTION ON WARMING CABINET PASSTHROUGH H2, 2-SIDES, 1000X900X700H
589674	MCIQFAJ4AO	x	INDUCTION ON WARMING CABINET H2, 1-SIDE, 1000X900X800H
589675	MCIQFBJ4AO	x	INDUCTION ON WARMING CABINET H2, 1-SIDE, C-BOARD, 1000X900X800H
589676	MCIRFCJ4AO	y	INDUCTION ON WARMING CABINET PASSTHROUGH H2, 2-SIDES, 1000X900X800H

## INDUCTION ON OVEN

PNC	Factory Model	Ref.	Description
588427	MAIMEAH8AO	z	INDUCTION ON OVEN, 1-SIDE, 800X800X700H
588428	MAIMEBH8AO	z	INDUCTION ON OVEN, 1-SIDE, C-BOARD, 800X800X700H
588429	MAINECH8AO	1	INDUCTION ON OVEN PASSTHROUGH, 2-SIDES, 800X800X700H
588430	MAIMFAH8AO	2	INDUCTION ON OVEN, 1-SIDE, 800X800X800H
588431	MAIMFBH8AO	2	INDUCTION ON OVEN, 1-SIDE, C-BOARD, 800X800X800H
588432	MAINFCH8AO	3	INDUCTION ON OVEN PASSTHROUGH, 2-SIDES, 800X800X800H
588697	MBIMGBH8AO	4	INDUCTION ON OVEN, 1-SIDE, C-BOARD, 800X850X700H
589665	MCIMEAJ8AO	5	INDUCTION ON OVEN, 1-SIDE, 1000X900X700H
589666	MCIMEBJ8AO	5	INDUCTION ON OVEN, 1-SIDE, C-BOARD, 1000X900X700H
589667	MCINECJ8AO	6	INDUCTION ON OVEN PASSTHROUGH, 2-SIDES, 1000X900X700H
589668	MCIMFAJ8AO	7	INDUCTION ON OVEN, 1-SIDE, 1000X900X800H
589669	MCIMFBJ8AO	7	INDUCTION ON OVEN, 1-SIDE, C-BOARD, 1000X900X800H
589670	MCINF CJ8AO	8	INDUCTION ON OVEN PASSTHROUGH, 2-SIDES, 1000X900X800H

Valid from Ser. N° 3101....

## INDUCTION COOKER FOR MARINE

PNC	Factory Model	Ref.	Description
589841	MCIBAAEODM	M1	MARINE* INDUCTION TOP, 2 ZONES, 1-SIDE, 500X900X250H
589842	MCIBACEODM	M2	MARINE* INDUCTION TOP, 2 ZONES, 2-SIDES, 500X900X250H
589843	MCIDAAJODM	M3	MARINE* INDUCTION TOP, 4 ZONES, 1-SIDE, 1000X900X250H
589844	MCIDACJODM	M4	MARINE* INDUCTION TOP, 4 ZONES, 2-SIDES, 1000X900X250H

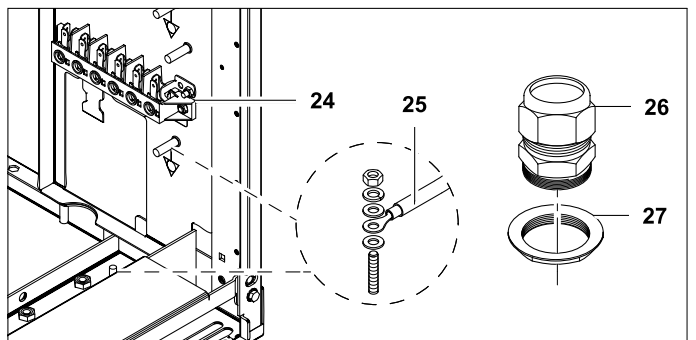
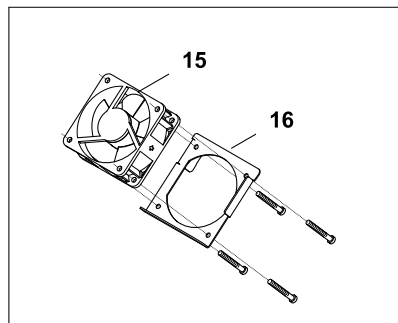
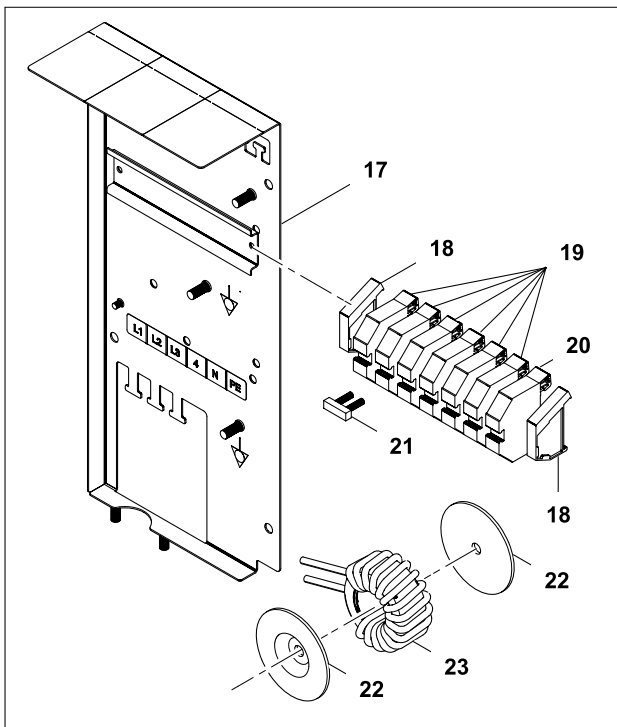
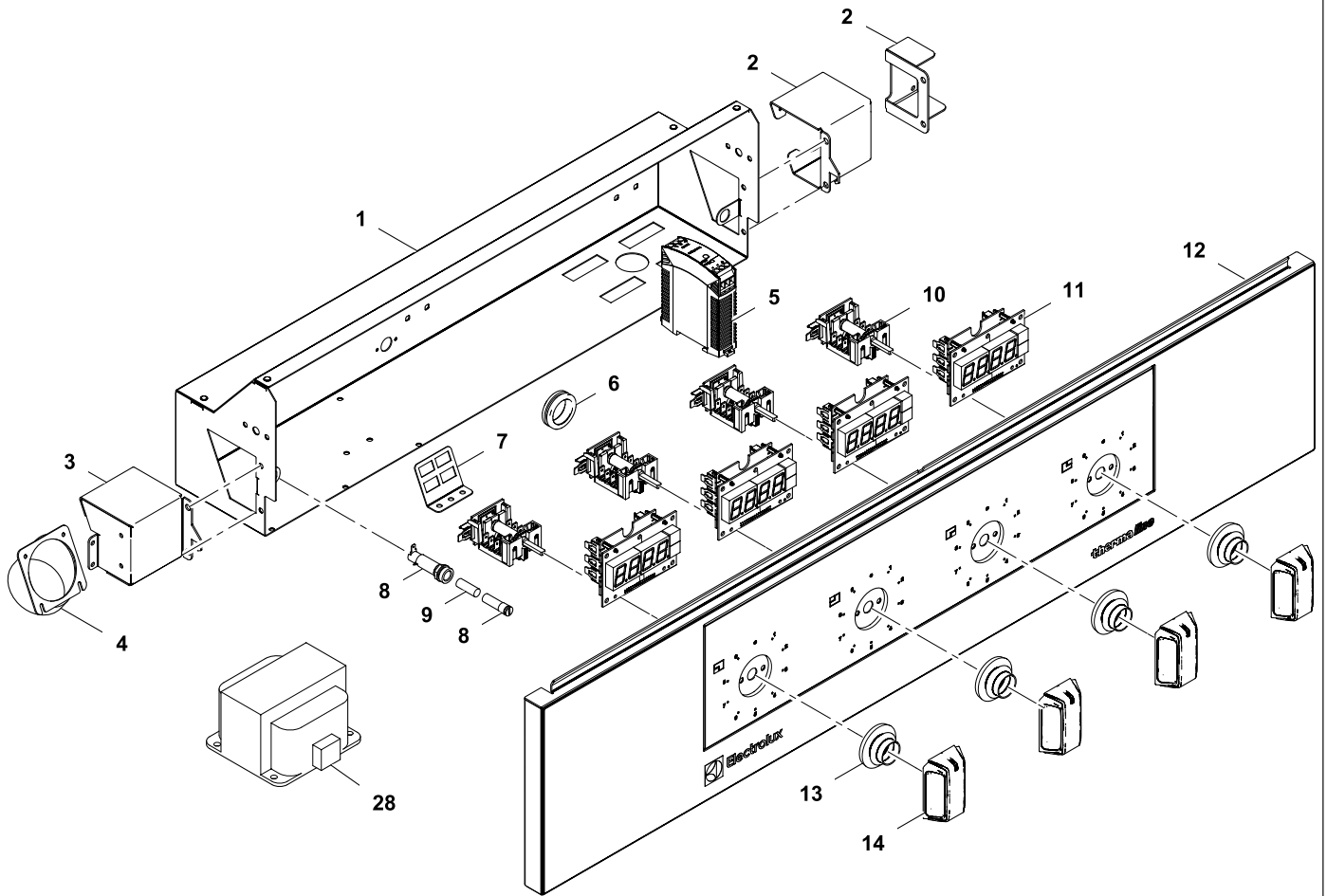
## INDUCTION WOK, INDUCTION WOK & PLATE FOR MARINE

PNC	Factory Model	Ref.	Description
589849	MCIHAAEODM	M5	MARINE* INDUCTION WOK, 1 ZONE, 1-SIDE, 500X900X250H
589850	MCIJAAEODM	M6	MARINE* INDUCTION WOK & PLATE, 2 ZONES, 1-SIDE, 500X900X250H
589851	MCIKACEODM	M7	MARINE* INDUCTION WOK & PLATE, 2 ZONES, 2-SIDES, 500X900X250H

## INDUCTION ON OVEN FOR MARINE

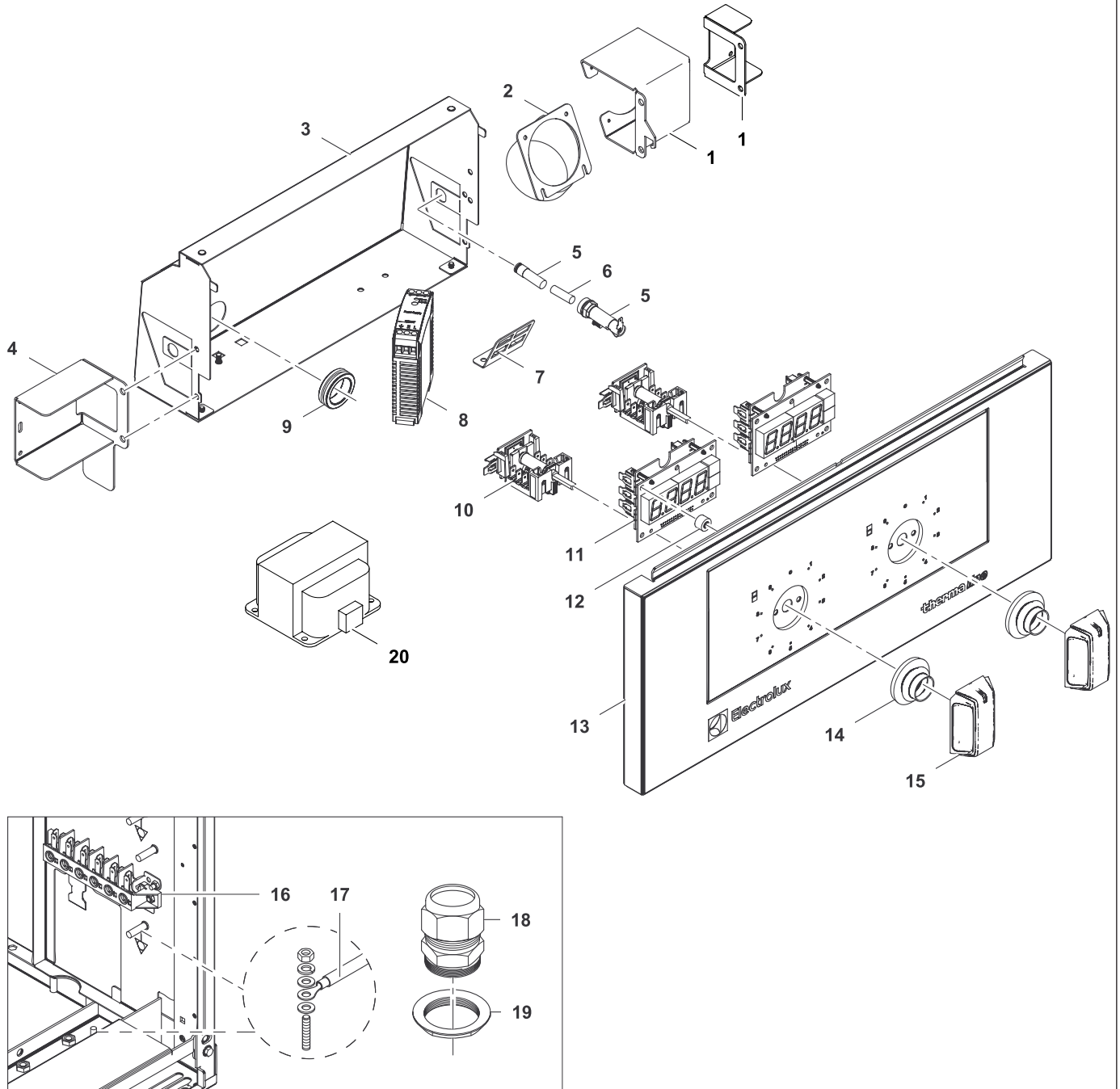
PNC	Factory Model	Ref.	Description
589845	MCIMEAJ8DM	M8	MARINE* INDUCTION ON OVEN, 1-SIDE, 1000X900X700H
589846	MCINECJ8DM	M9	MARINE* INDUCTION ON OVEN, 2-SIDES, 1000X900X700H

Page	Index
2	Electronical parts induction tops (FME)
4	Electronical parts induction wok & plate (FME)
8	Electronical parts induction oven & warming cabinet units (FME)
10	Mechanical parts induction tops (FMM)
12	Mechanical parts induction wok & plate (FMM)
14	Aeration kit (FML)
16	Base oven & warming cabinet units
18	Warming cabinet
20	Control panel warming cabinet
21	Control panel oven
22	Oven
24	Marine Accessories



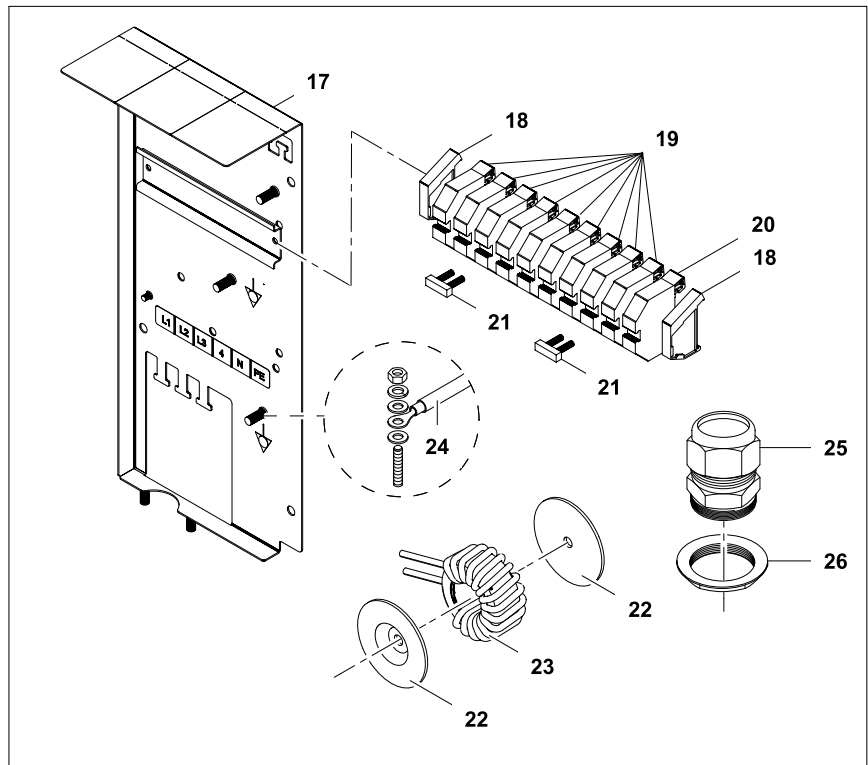
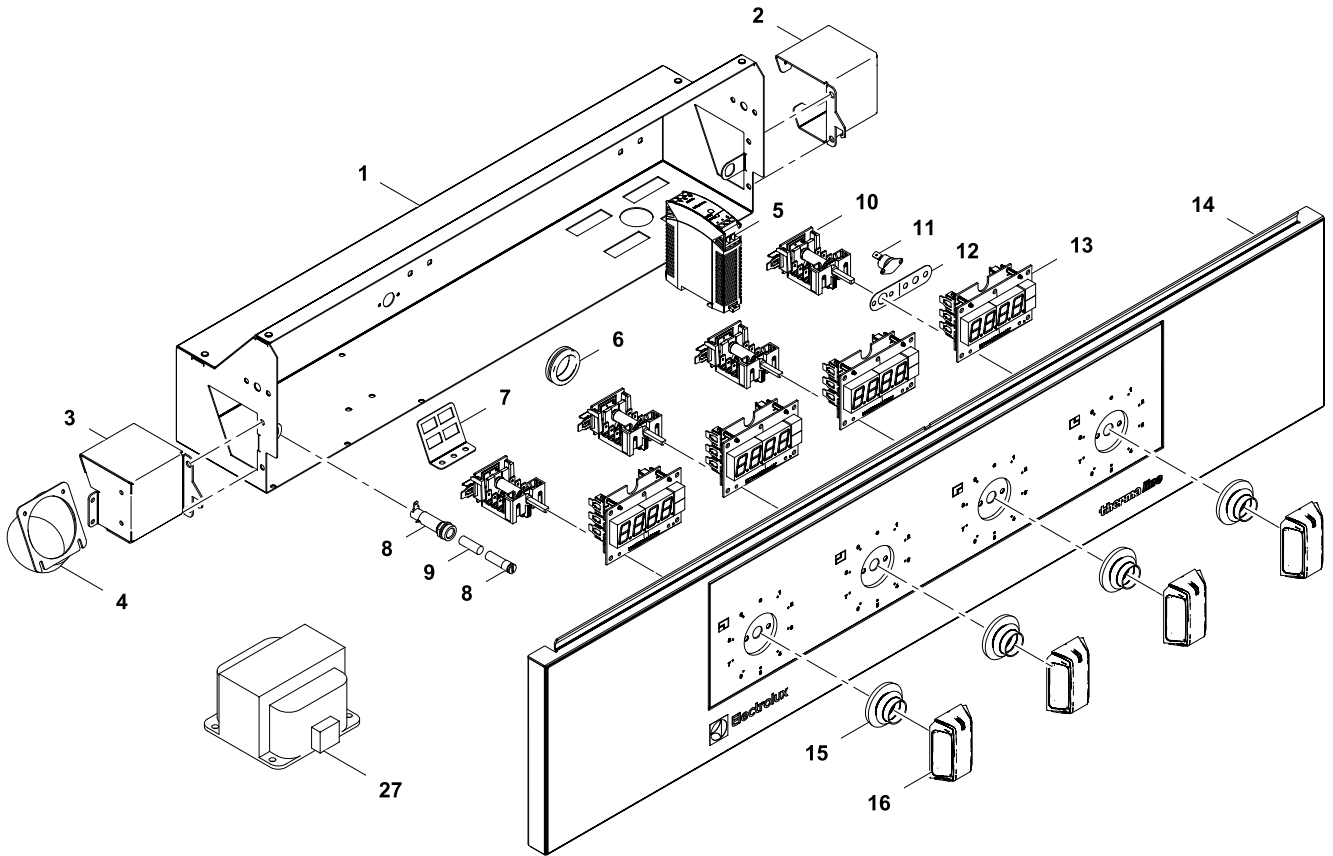
1	Alias	Code	Bezeichnung	Description	Ref.	Valid from Serial N°
1	82.3012	*	Elektrobox 400+	Electric compartment 400+	a b e g h	
	82.3024	0G7447	Elektrobox 800	Electric compartment 800	c d f	
	82.2770	*	Elektrobox 1000	Electric compartment 1000	i j Marine	
	82.3062	*	Elektrobox 500 Marine	Electric compartement 500 marine	Marine	
2	82.3002	0G7450	Standard Ventilationsbox rechts	Ventilation box right	g h d j	
	82.3008.20	*	Halterung Box L=60 rechts	Support box L=60 right	Marine	
3	82.3001	*	Standard Ventilationsbox links	Ventilation box left	g h c d f i j	
4	82.7550.02	*	Rohrstutzen schräg	Pipe socket angular	g h c d f i j	
5	82.9030	0G6075	DC Power Supply 12VDC	DC Power Supply 12VDC	D800/900	
6	712 044961.17	0KT854	Kabeltülle Ø25/Ø31/Ø35x10	Cable sleeve Ø25/Ø31/Ø35x10	all types	
7	82.2720	*	Halter Kommunikationsanschluss	Connectors holder	all types	
8	82.7093	056582	Sicherungshalter	Fuse holder	a g c d g h i j	
	87.9204	0CB130	Sicherungshalter Schurter	Fuse holder Schurter	Marine	
9	712 344362.01	0G5814	Sicherung 5x20 1A	Fuse 5x20 1A	a g c d g h i j	
	82.9171	0TTR73	Sicherung 6.3X32 0.63A 500V	Fuse 6.3X32 0.63A 500V	Marine	
10	82.9020	0G6314	Schalter Off-9 Stufen + 2x10K Potentiometer	Switch off-9 levels + 2x10K potentiometer	D800/900	
	82.9013	0G6242	Schalter Off-9 Stufen + 10K Potentiom. 1,5%	Switch off-9 levels + 10K potentiom. 1,5%	D850	
	82.9270	0CA934	Schalter Off-9 Stufen +10K Potentiometer	Switch off-9 levels + 10K potentiometer	D850	6451...
	82.9271	0CA932	Schalter Off-9 Stufen + 2x10K Potentiometer	Switch off-9 levels + 2x10K potentiometer	D800/900	6511...
11	82.9115.01	0G6302	Eurotas Display Induktion	Eurotas Display Induction	D800/900	
	82.9115.06	0G7873	Eurotas Display Induktion	Eurotas Display Induction	D800/900	6511...
	82.9115.07	0G7874	Eurotas Display Induktion	Eurotas Display Induction	D800/900	7141...
	82.7416	0G6324	Anzeigelampe	Indicator light	D850	
	72.5938.08	0K1364	Einsteckfassung, grün, Ø10mm	Lamp holder, green, Ø10mm	D850	
	72.5938.09	0G2884	Einsteckfassung, rot, Ø10mm	Lamp holder, red, Ø10mm	D850	7141...
12	*	*	Bedienblende	Control panel	-----	
13	82.7009	0G6247	Dichtung Drehgriff	Sealing for handle	all types	
14	82.9124.01	0G6369	Drehgriff mit Adapter 0°x6.0	Handle with adapter 0°x6.0	all types	
15	82.7159	0G6274	Ventilator 60x60x25 622HH (3.5W)	Cooling fan 60x60x25 622HH (3.5W)	W=400	
	82.7537	0G7488	Ventilator 60x60x25 PWM	Cooling fan 60x60x25 PWM	W=400	5361...
16	82.3009	*	Halteblech Ventilator	Cooling fan support	W=400	
17	82.3051	0G7430	Main Terminal	Main Terminal	all 4-Zone	
18	75.2013	0KX290	Arretierstück	Fixation	all 4-Zone	
19	75.2010.40	0K1280	Reihenklamme beige 16mm2	Terminal block 16mm²	all 4-Zone	
20	75.2010.41	0G3488	Reihenklamme blau 16mm2	Terminal block 16mm²	all 4-Zone	
21	75.2010.44	0KT731	Querverbinder	Cross connection	all 4-Zone	
22	82.9194	0G7489	Befestigungsscheibe	Mounting disk	all types	
23	82.9172	0G7490	Ringkern drossel	Toroidal choke	all types	
24	82.9065	0G6668	Klemme FV122 V/V	Terminal FV122 V/V	all 2-Zone	
	82.9101	0G7023	Kabel: Klemme FV122 V/V Erdungsbolzen	Cable: terminal FV122 V/V ground bolt	all 2-Zone	
25	82.9103	0G6424	Kabel: Haupterdraht L400 6mm²	Cable: Main earthing L400 6mm²	all types	
26	82.2809	0C0068	Kabelverschraubung PG21	Cable gland PG21	all types	
27	82.9226	0G7024	Gegenmutter Kabelverschraubung PG21	Lock nut PG21	all types	
28	82.9209	006710	Transformator 0-240-400-440V - 150VA	Transformer 0-240-400-440V - 150VA	Marine	
	82.9002	0G6897	Kabel: Display - Display	Cable: Display - Display	D800/900	
	82.9003	0G6899	Kabel: Potentiometer - Display L200	Cable: Potentiometer - Display L200	D800/900	
	82.9011	0G7365	Kabel: Trafo - Display - Ventilator	Cable: Trafo - Display - Ventilator	D800/900	
	82.9241	0G7420	Kabel: Display - Ventilator	Cable: Display - Ventilator	D800/900	5361...
	82.9110	0G7172	Kabel: Trafo - Display L450	Cable: Transformer - Display L450	D800/900	
	82.9116	0G7366	Kabel: Trafo T1 - Trafo T2	Cable: Trafo T1 - Trafo T2	all 2-Sides	
	82.9022.01	0G7036	Kabel: Schalter S1 - Schalter S2 kurz	Cable: Switch S1 - Switch S2 short	D800/900	
	82.9022.02	0G7367	Kabel: Schalter S2 - Schalter S3 kurz	Cable: Switch S2 - Switch S3 short	c i	
	82.9022.03	0G7195	Kabel: Schalter S2/3 - Schalter S4 kurz	Cable: Switch S2/3 - Switch S4 short	c d i j	
	82.9022.04	0G7491	Kabel: Schalter S1 - Schalter S2 lang	Cable: Switch S1 - Switch S2 long	d h	
	82.9022.05	0G7368	Kabel: Schalter S2 - Schalter S3 lang	Cable: Switch S2 - Switch S3 long	d j	
	82.9142.02	0G7492	Kabel: 2x Potentiometer - Generator 1 + 2	Cable: 2x Potentiometer - Generator 1 + 2	all types	
	82.9142.03	0G7493	Kabel: 2x Potentiometer - Generator 3 + 4	Cable: 2x Potentiometer - Generator 3 + 4	all 4-Zone	
	82.9143.02	0G7494	Kabel: 2x Anzeigelampe - Generator 1 + 2	Cable: 2x Indicator - Generator 1 + 2	D850	
	82.9143.03	0G7495	Kabel: 2x Anzeigelampe - Generator 3 + 4	Cable: 2x Indicator - Generator 3 + 4	D850/ 4-Zone	
	82.9162	0G7496	Kabel: Generator - Communication Fouc.	Cable: Generator - Communication Fouc.	all types	
	82.9059.01	0G7369	Kabel: X0 - F1 - Schalter - Trafo 1	Cable: X0 - F1 - Switch - Transformer 1	D800/900	
	82.9144.01	0G7497	Kabel: X0 - Generator 5+6 Ind. Foucault	Cable: X0 - Generator 5+6 Ind. Foucault	all types	
	82.9144.02	0G7498	Kabel: X0 - Generator 7+8 Ind. Foucault	Cable: X0 - Generator 7+8 Ind. Foucault	all 4-Zone	
	82.9274	0G7870	Kabel: Induktion Marine	Cable: Induction marine	Marine	
	82.9268.02	0G7879	Kabel: 2x Potentiometer (Altmann) - Generator 1+2	Cable: 2x potentiometer (Altmann) - generator 1+2	all 2-Zone	6451...
	82.9268.03	0G7880	Kabel: 2x Potentiometer (Altmann) - Generator 3+4	Cable: 2x potentiometer (Altmann) - generator 3+4	all 4-Zone	6451...
	82.9265	0G7877	Kabel: Foucault - Display	Cable: Foucault - Display	D800/900	7141...
	82.9277.01		Kabel: X0 - F1 - Trafo T1 Foucault II	Cable: X0 - F1 - Transformer T1 Foucault II	D800/900	7141...
	82.9277.02		Kabel: X0 - F2 - Trafo T2 Foucault II	Cable: X0 - F2 - Transformer T2 Foucault II	D800/900	7141...

\* Components on demand  
\* Teile auf Anfrage



2	Alias	Code	Bezeichnung	Description	Ref.	Valid from Serial N°
1	82.3001	*	Standard Ventilationsbox links	Ventilation box left	2-Sides	
	82.3002	OG7450	Standard Ventilationsbox rechts	Ventilation box right	all types	
	82.3008.20	*	Halterung Box L=60 rechts	Support box L=60 right	Marine	
2	82.7550.02	*	Rohrstutzen schräg	Pipe socket angular	all types	
3	82.3012	*	Elektrobox 400+	Electric compartment 400+	all types	
	82.3062	*	Elektrobox 500 Marine	Electric compartment 500 Marine	Marine	
4	82.3008.05	*	Halterung Box L50	Support L50	all types	
	82.3008.15	*	Halterung Box gegengleich L50	Support mirrored L50	2-Sides	
5	82.7093	056582	Sicherungshalter	Fuse holder	all types	
	879204	OCB130	Sicherungshalter Schurter	Fuse holder Schurter	Marine	
6	712 344362.01	OG5814	Sicherung 5x20 1A	Fuse 5x20 1A	all types	
	82.9171	OTTR73	Sicherung 6.3X32 0.63A 500V	Fuse 6.3X32 0.63A 500V	Marine	
7	82.2720	*	Halter Kommunikationsanschluss	Connectors holder	all types	
8	82.9030	OG6075	DC Power Supply 12VDC	DC Power Supply 12VDC	D800/900	
9	712 044961.17	OKT854	Kabeltülle Ø25/Ø31/Ø35x10	Cable sleeve Ø25/Ø31/Ø35x10	all types	
10	82.9020	OG6314	Schalter Off-9 Stufen + 2x10K Potentiometer	Switch off-9 levels + 2x10K potentiometer	D900/800	
	82.9013	OG6242	Schalter Off-9 Stufen + 10K Potentiom. 1,5%	Switch off-9 levels + 10K potentiom. 1,5%	D850	
11	82.9115.01	OG6302	Eurotas Display Induktion	Eurotas Display Induction	D900/800	
	82.7416	OG6324	Anzeigelampe	Indicator light	D850	
	72.5938.08	OKI364	Einsteckfassung, grün, Ø10mm	Lamp holder, green, Ø10mm	D850	
12	76.3011.01	OG3093	Distanzhalter 8mm	Spacer 8mm	all types	
13	82.1027.22	*	Bedienblende 500 1Zone	Control panel 500 1 Zone	1Zone D800/900	
	82.1027.21	*	Bedienblende 500 2Zonen	Control panel 500 2 Zones	2Zone D800/900	
	82.1049.20	*	Bedienblende INOX 500 1Zone	Control panel INOX 500 1 Zone	1Zone D850	
	82.1049.21	*	Bedienblende INOX 500 2Zonen	Control panel INOX 500 2 Zones	2Zone D850	
	82.1000.02	*	Blende Top 500	Back panel 500	1-Side D800/900	
14	82.7009	OG6247	Dichtung Drehgriff	Sealing for handle	all types	
15	82.9124.01	OG6369	Drehgriff mit Adapter 0°x6.0	Handle with adapter 0°x6.0	all types	
16	82.9065	OG6668	Klemme FV122 V/V	Terminal FV122 V/V	all types	
	82.9101	OG7023	Kabel: Klemme FV122 V/V Erdungsbolzen	Cable: terminal FV122 V/V ground bolt	all types	
17	82.9103	OG6424	Kabel: Haupterdraht L400 6mm²	Cable: Main earthing L400 6mm²	all types	
18	82.2809	OC0068	Kabelverschraubung PG21	Cable gland PG21	all types	
19	82.9226	OG7024	Gegenmutter Kabelverschraubung PG21	Lock nut PG21	all types	
20	82.9209	006710	Transformator 0-240-400-440V - 150VA	Transformer 0-240-400-440V - 150VA	Marine	
	82.9002	OG6897	Kabel: Display - Display	Cable: Display - Display	2Zone D800/900	
	82.9003	OG6899	Kabel: Potentiometer - Display L200	Cable: Potentiometer - Display L200	D800/900	
	82.9011	OG7365	Kabel: Trafo - Display - Ventilator	Cable: Trafo - Display - Ventilator	1Zone D800/900	
	82.9241	OG7420	Kabel: Display - Ventilator	Cable: Display - Ventilator	1Zone D800/900	5361...
	82.9110	OG7172	Kabel: Trafo - Display L450	Cable: Transformer - Display L450	2Zone D800/900	
	82.9121	OG7499	Kabel: Generator - Ventilator	Cable: Generator - Ventilator	2Zone D800/900	
	82.9022.01	OG7036	Kabel: Schalter S1 - Schalter S2 kurz	Cable: Switch S1 - Switch S2 short	2Zone D800/900	
	82.9067.01	OG7500	Kabel: 1x Potentiometer - Generator	Cable: 1x Potentiometer - Generator	1-Zone	
	82.9067.02	OG7501	Kabel: 2x Potentiometer - Generator 1+2	Cable: 2x Potentiometer - Generator 1+2	2-Zone	
	82.9066.01	OG7479	Kabel: 1x Anzeigelampe - Generator	Cable: 1x Indicator - Generator	1-Zone	
	82.9066.02	OG6374	Kabel: 2x Anzeigelampe - Generator 1+2	Cable: 2x Indicator - Generator 1+2	2-Zone D850	
	82.9059.01	OG7369	Kabel: X0 - F1 - Schalter - Trafo 1	Cable: X0 - F1 - Switch - Transformer 1	D800/900	
	82.9063.01	OG7502	Kabel: X0 - Generator 5+6	Cable: X0 - Generator 5+6	all types	
	82.9274	OG7870	Kabel: Induktion Marine	Cable: Induction marine	Marine	
	82.9116	OG7366	Kabel: Trafo 1 - Trafo 2	Cable: Transformer 1 - Transformer 2	Marine 2-Sides	
	82.9022.04	OG7491	Kabel: Schalter S1 - Schalter S2 lang	Cable: Switch S1 - Switch S2 long	Marine 2-Sides	





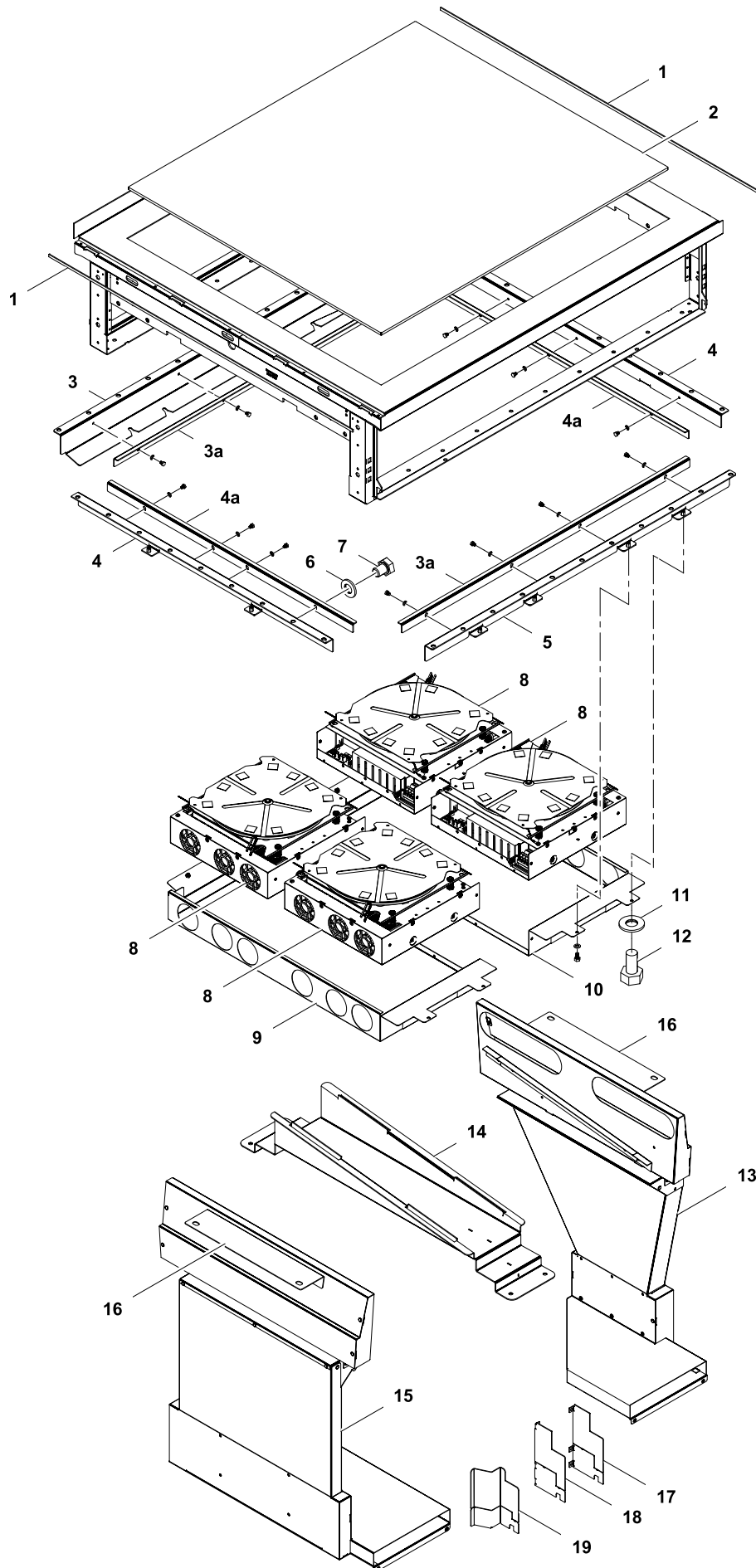


3	Alias	Code	Bezeichnung	Description	Ref.	Valid from Serial N°
1	82.3024	OG7447	Elektrobox 800	Electric compartment 800	D800/850	
	82.2770	*	Elektrobox 1000	Electric compartment 1000	D900	
2	82.3002	OG7450	Standard Ventilationsbox rechts	Ventilation box right		all types
3	82.3001	*	Standard Ventilationsbox links	Ventilation box left		all types
	82.2717.02	*	Ventilationsbox Induktion left	Ventilation box induction left		
4	82.7550.01	OG7868	Rohrstutzen gerade	Pipe socket straight	2-sides	
	82.7550.02	*	Rohrstutzen schräg	Pipe socket angular		all types
	82.2721	*	Reduzierstück Ø 60,3 Ø 42,2	Reduction piece Ø 60,3 Ø 42,2		all types
5	82.9030	OG6075	DC Power Supply 12VDC	DC Power Supply 12VDC	D800/900	
6	712 044961.17	OKT854	Kabeltülle Ø25/Ø31/Ø35x10	Cable sleeve Ø25/Ø31/Ø35x10		all types
7	82.2720	*	Halter Kommunikationsanschluss	Connectors holder		all types
8	82.7093	056582	Sicherungshalter	Fuse holder		all types
	87.9204	OCB130	Sicherungshalter Schurter	Fuse holder Schurter	Marine	
9	712 344362.01	OG5814	Sicherung 5x20 1A	Fuse 5x20 1A		all types
	82.9171	OTTR73	Sicherung 6.3X32 0.63A 500V	Fuse 6.3X32 0.63A 500V	Marine	
10	82.9020	OG6314	Schalter Off-9 Stufen + 2x10K Potentiometer	Switch off-9 levels + 2x10K potentiometer	D800/900	
	82.9013	OG6242	Schalter Off-9 Stufen + 10K Potentiom. 1,5%	Switch off-9 levels + 10K potentiom. 1,5%	D850	
	82.9270	OCA934	Schalter Off-9 Stufen +10K Potentiometer	Switch off-9 levels + 10K potentiometer	D850	6451...
	82.9271	OCA932	Schalter Off-9 Stufen + 2x10K Potentiometer	Switch off-9 levels + 2x10K potentiometer	D800/900	6511...
11	82.9062	OG6231	Temperatur-Thermostat 50° (KLICKSON)	Temperature thermostat 50° (KLICKSON)	D800/900 Oven	
12	82.2682	OG7282	Blech KLICKSON	KLICKSON support	D800/900 Oven	
13	82.9115.01	OG6302	Eurotas Display Induktion	Eurotas Display Induction	D800/900	
	82.9115.06	OG7873	Eurotas Display Induktion	Eurotas Display Induction	D800/900	6511...
	82.9115.07	OG7874	Eurotas Display Induktion	Eurotas Display Induction	D800/900	7141...
	82.7416	OG6324	Anzeigelampe	Indicator light	D850	
	72.5938.08	OKI364	Einsteckfassung, grün, Ø10mm	Lamp holder, green, Ø10mm	D850	
	72.5938.09	OG2884	Einsteckfassung, rot, Ø10mm	Lamp holder, red, Ø10mm	D850	
14	*	*	Bedienblende	Control panel		all types
15	82.7009	OG6247	Dichtung Drehgriff	Sealing for handle		all types
16	82.9124.01	OG6369	Drehgriff mit Adapter 0°x6.0	Handle with adapter 0°x6.0		all types
17	82.3051	OG7430	Main Terminal	Main Terminal		all types
18	75.2013	OKX290	Arretierstück	Fixation		all types
19	75.2010.40	OKI280	Reihenklemme beige 16mm <sup>2</sup>	Terminal block 16mm <sup>2</sup>		all types
20	75.2010.41	OG3488	Reihenklemme blau 16mm <sup>2</sup>	Terminal block 16mm <sup>2</sup>		all types
21	75.2010.44	OKT731	Querverbinder	Cross connection		all types
22	82.9194	OG7489	Befestigungsscheibe	Mounting disk		all types
23	82.9172	OG7490	Ringkernrossel	Toroidal choke		all types
24	82.9103	OG6424	Kabel: Haupterd draht L400 6mm <sup>2</sup>	Cable: Main earthing L400 6mm <sup>2</sup>		all types
25	82.2809	OC0068	Kabelverschraubung PG21	Cable gland PG21	Marine	
26	82.9226	OG7024	Gegenmutter Kabelverschraubung PG21	Lock nut PG21	Marine	
27	82.9209	006710	Transformator 0-240-400-440V - 150VA	Transformer 0-240-400-440V - 150VA	Marine	
	82.9002	OG6897	Kabel: Display - Display	Cable: Display - Display	D800/900	
	82.9003	OG6899	Kabel: Potentiometer - Display L200	Cable: Potentiometer - Display L200	D800/900	
	82.9241	OG7420	Kabel: Display - Ventilator	Cable: Display - Ventilator	D800/900	5361...
	82.9110	OG7172	Kabel: Trafo - Display L450	Cable: Transformer - Display L450	D800/900	
	82.9116	OG7366	Kabel: Trafo T1 - Trafo T2	Cable: Trafo T1 - Trafo T2	2-Sides	
	82.9022.01	OG7036	Kabel: Schalter S1 - Schalter S2 kurz	Cable: Switch S1 - Switch S2 short		all types
	82.9022.02	OG7367	Kabel: Schalter S2 - Schalter S3 kurz	Cable: Switch S2 - Switch S3 short		1-Sides
	82.9022.03	OG7195	Kabel: Schalter S2/3 - Schalter S4 kurz	Cable: Switch S2/3 - Switch S4 short		all types
	82.9022.05	OG7368	Kabel: Schalter S2 - Schalter S3 lang	Cable: Switch S2 - Switch S3 long		2-Sides
	82.9142.02	OG7492	Kabel: 2x Potentiometer - Generator 1 + 2	Cable: 2x Potentiometer - Generator 1 + 2		all types
	82.9142.03	OG7493	Kabel: 2x Potentiometer - Generator 3 + 4	Cable: 2x Potentiometer - Generator 3 + 4		all types
	82.9143.02	OG7494	Kabel: 2x Anzeigelampe - Generator 1 + 2	Cable: 2x Indicator - Generator 1 + 2	D850	
	82.9143.03	OG7495	Kabel: 2x Anzeigelampe - Generator 3 + 4	Cable: 2x Indicator - Generator 3 + 4	D850	
	82.9162	OG7496	Kabel: Generator - Communication Fouc.	Cable: Generator - Communication Fouc.		all types
	82.9059.01	OG7369	Kabel: X0 - F1 - Schalter - Trafo 1	Cable: X0 - F1 - Switch - Transformer 1		all types
	82.9144.01	OG7497	Kabel: X0 - Generator 5+6 Ind. Foucault	Cable: X0 - Generator 5+6 Ind. Foucault		all types
	82.9144.02	OG7498	Kabel: X0 - Generator 7+8 Ind. Foucault	Cable: X0 - Generator 7+8 Ind. Foucault		all types
	82.9274	OG7870	Kabel: Induktion Marine	Cable: Induction marine	Marine	
	82.9268.02	OG7879	Kabel: 2x Potentiometer (Altmann) - Generator 1+2	Cable: 2x potentiometer (Altmann) - generator 1+2	all 2-Zone	6451...
	82.9268.03	OG7880	Kabel: 2x Potentiometer (Altmann) - Generator 3+4	Cable: 2x potentiometer (Altmann) - generator 3+4	all 4-Zone	6451...
	82.9265	OG7877	Kabel: Foucault - Display	Cable: Foucault - Display	D800/900	7141...
	82.9277.01		Kabel: X0 - F1 - Trafo T1 Foucault II	Cable: X0 - F1 - Transformer T1 Foucault II	D800/900	7141...
	82.9277.02		Kabel: X0 - F2 - Trafo T2 Foucault II	Cable: X0 - F2 - Transformer T2 Foucault II	D800/900	7141...

\* Components on demand  
\* Teile auf Anfrage

Doc. № 82.8080.03

Page: 9

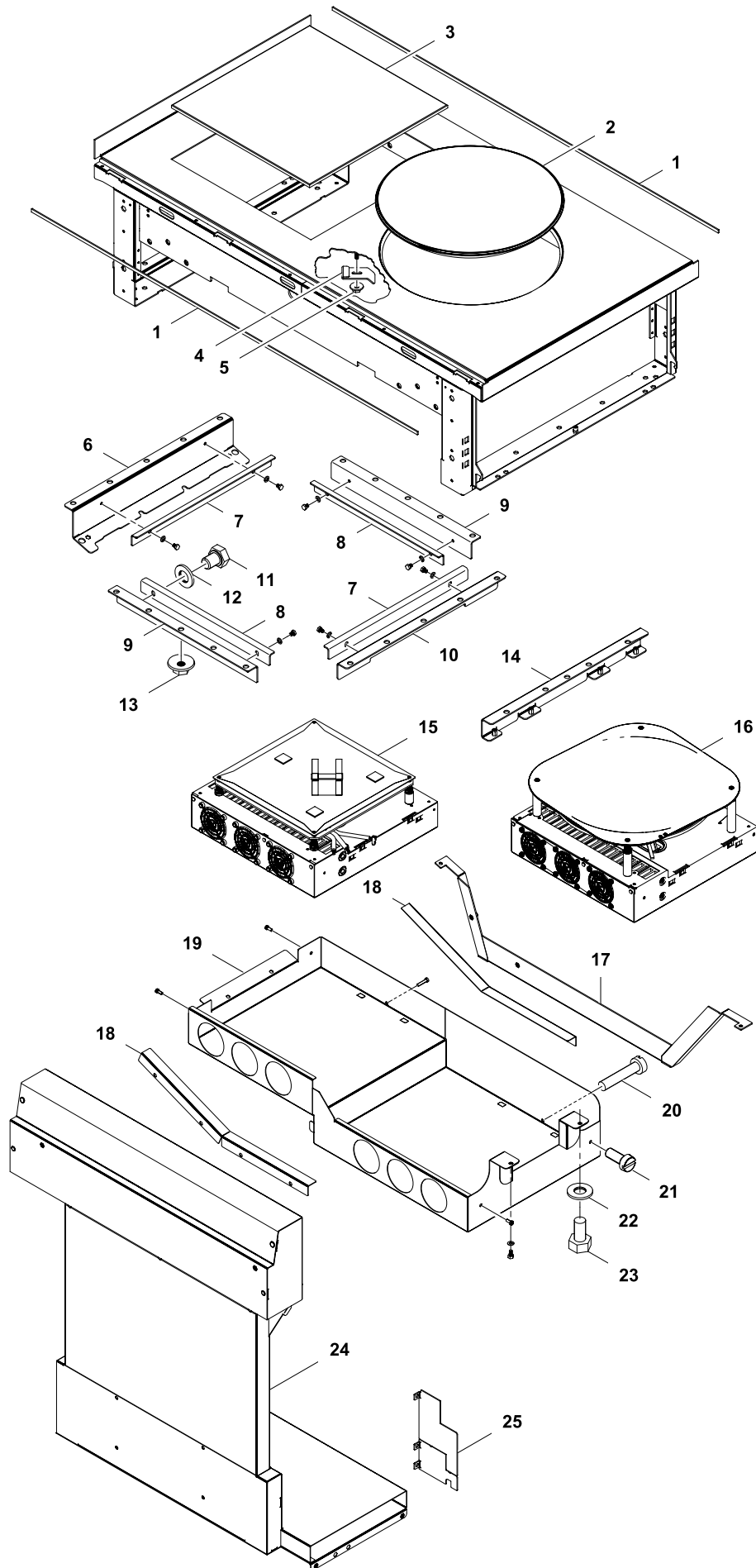


4	Alias	Code	Bezeichnung	Description	Ref.	Valid from Serial N°
1	82.7464	0C2496	Dichtband	Sealing strip	all types	
2	82.7070	0G6335	Glaskeramikplatte 840x740	Ceramic glass plate 840x740	4-Zone D900	
	82.7489	0G6824	Glaskeramikplatte 660x660	Ceramic glass plate 660x660	4-Zone D800/850	
	82.7490	0G6825	Glaskeramikplatte 320x660	Ceramic glass plate 320x660	2-Zone D800/850	
	82.7068	0G6333	Glaskeramikplatte 340x740	Ceramic glass plate 340x740	2-Zone D900	
	1 201 1444	0K5103	Silikonplättchen	Silicon plate	all types	
	1 201 1792	0K3948	Novasil Kleber	Glue Novasil	all types	
3	82.0712.XX	*	Auflage hinten FMM	Support backside FMM	-----	
3a	82.0715.XX	*	Querträger verstellbar	Cross beam	-----	
4	82.0713.XX	*	Befestigung seitlich	Support sides	-----	
4a	82.0714.XX	*	Längsträger verstellbar	Longitudinal beam	-----	
5	82.0711.XX	*	Aufhängung vorn FMM	Support frontside FMM	-----	
6	1 701 3535	0G3588	Unterlegscheibe M5	Washer M5	all types	
7	1 701 2623	0T1776	Sechskantschraube M5x6	Hex bolt M5x6	all types	
8	82.7452	OCA027	Kit Foucault 5kW 400V	Kit Foucault 5kW 400V	all types	4351....
	82.7570.01	OCA937	Kit Foucault 5kW 400V V51	Kit Foucault 5kW 400V V51	all types	6451...
	82.7079.01	0C8305	Kit Atics 5KW 400V	Kit Atics 5KW 400V	all types	
	82.7079.03	0G7994	Kit Atics 5KW 440V	Kit Atics 5KW 440V	M3 M4 M8 M9	
	82.7576.01	0CB054	Kit Foucault 2.0 5kW 400V TL80/90	Kit Foucault 2.0 5kW 400V TL80/90	D800/900	7141...
	82.7576.02	0CB040	Kit Foucault 2.0 5kW 400V TL85	Kit Foucault 2.0 5kW 400V TL85	D850	7141...
9	82.0208.01	*	Support Foucault links	Support Foucault left	D800/850	4351....
	82.0208.03	*	Support Foucault links	Support Foucault left	D900	4351....
	82.2041.01	*	Support Atics links	Support Atics left	D800/850	
	82.2041.03	*	Support Atics links	Support Atics left	D900	
10	82.0208.02	*	Support Foucault rechts	Support Foucault right	D800/850	4351....
	82.0208.04	*	Support Foucault rechts	Support Foucault right	D900	4351....
	82.2041.02	*	Support Atics rechts	Support Atics right	D800/850	
	82.2041.04	*	Support Atics rechts	Support Atics right	D900	
11	1 701 3502	0G3595	Unterlegscheibe $\varnothing 4,3 \times \varnothing 9 \times 0,8$	Washer $\varnothing 4,3 \times \varnothing 9 \times 0,8$	all types	
12	1 701 2503	0G5490	Sechskantschraube M4x8	Hex bolt M4x8	all types	
13	82.2716.01	*	Luftkanal Foucault rechts 800x800	Air channel Foucault right 800x800	4-Zone D800	4351....
	82.2716.02	*	Luftkanal Foucault rechts 800x850	Air channel Foucault right 800x850	4-Zone D850	4351....
	82.2716.03	*	Luftkanal Foucault rechts 1000x900	Air channel Foucault right 1000x900	4-Zone D900	4351....
14	82.2033.01	*	Mittelsupport T800	Middle support D800	4-Zone D800	4351....
	82.2033.01	*	Mittelsupport T850	Middle support D850	4-Zone D850	4351....
	82.2033.01	*	Mittelsupport T900	Middle support D900	4-Zone D900	4351....
	82.2660.01	*	Spulensupport T800/850	Coil support D800/850	2-Zone D800/850	4351....
	82.2660.02	*	Spulensupport T900	Coil support D900	2-Zone D900	4351....
15	82.2715.02	*	Luftkanal Foucault links 800x800	Air channel Foucault left 800x800	4-Zone D800	4351....
	82.2715.03	*	Luftkanal Foucault links 400x800	Air channel Foucault left 400x800	2-Zone D800	4351....
	82.2715.04	*	Luftkanal Foucault links 800x850	Air channel Foucault left 800x850	4-Zone D850	4351....
	82.2715.06	*	Luftkanal Foucault links 400x850	Air channel Foucault left 400x850	2-Zone D850	4351....
	82.2715.05	*	Luftkanal Foucault links 500/1000x900	Air channel Foucault left 500/1000x900	D900	4351....
16	82.2718.01	*	Luftkanalsupport 800x800/850	Air channel support 800x800/850	4-Zone D800/850	4351....
	82.2718.02	*	Luftkanalsupport 1000x900	Air channel support 1000x900	4-Zone D900	4351....
	82.2718.03	*	Luftkanalsupport 400x800/850	Air channel support 400x800/850	2-Zone D800/850	4351....
	82.2718.04	*	Luftkanalsupport 500x900	Air channel support 500x900	2-Zone D900	4351....
17	82.0114.11	0G7054	Abgrenzungsblech Frischluft links	Aeration sheet left	all 4-Zone	
18	82.0114.12	0G7056	Abgrenzungsblech Frischluft rechts	Aeration sheet right	all 4-Zone	
19	82.0113.11	0G7387	Leitblech links	Aeration sheet left	all types	

\* Components on demand  
\* Teile auf Anfrage

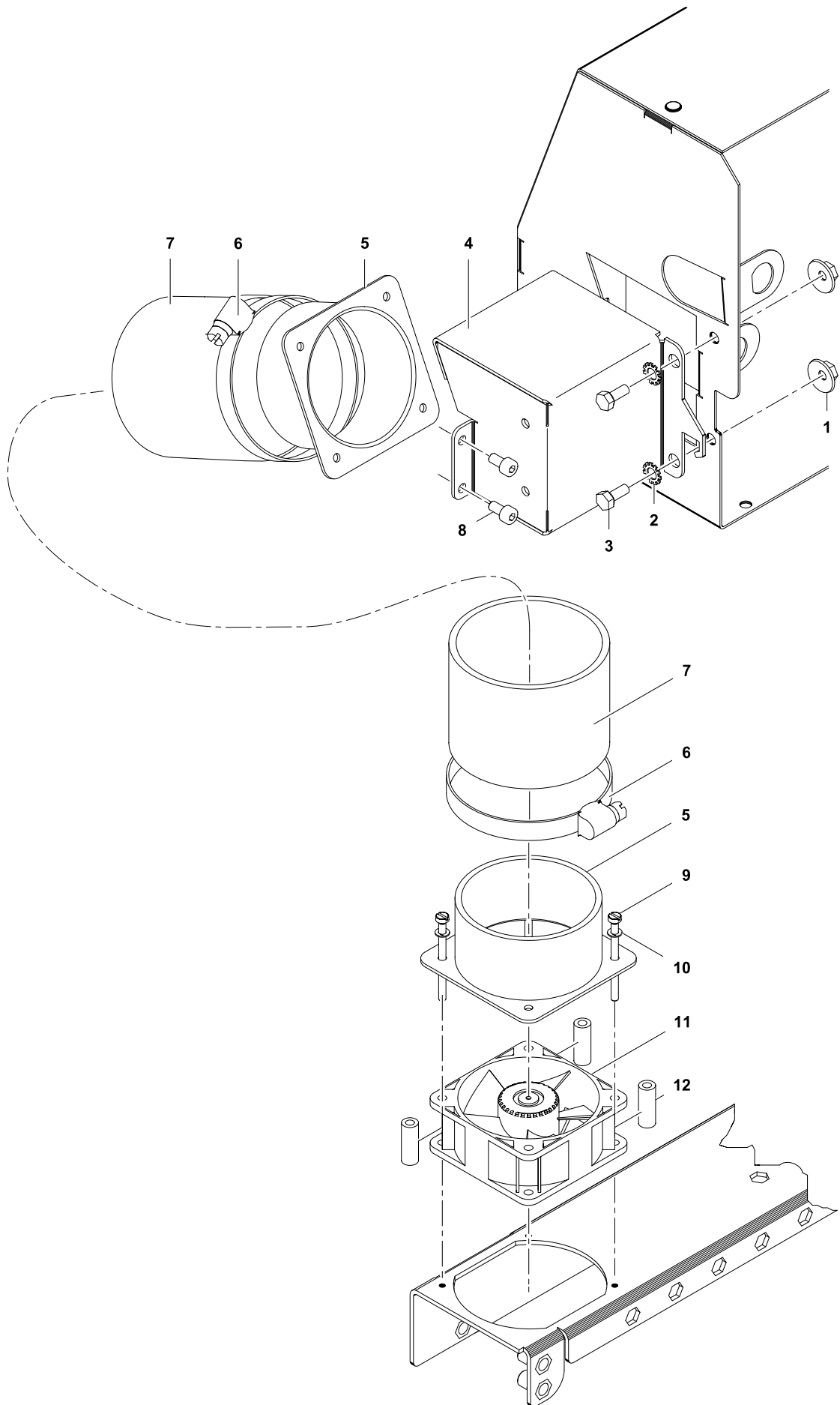
Doc. № 82.8080.03

Page: 11



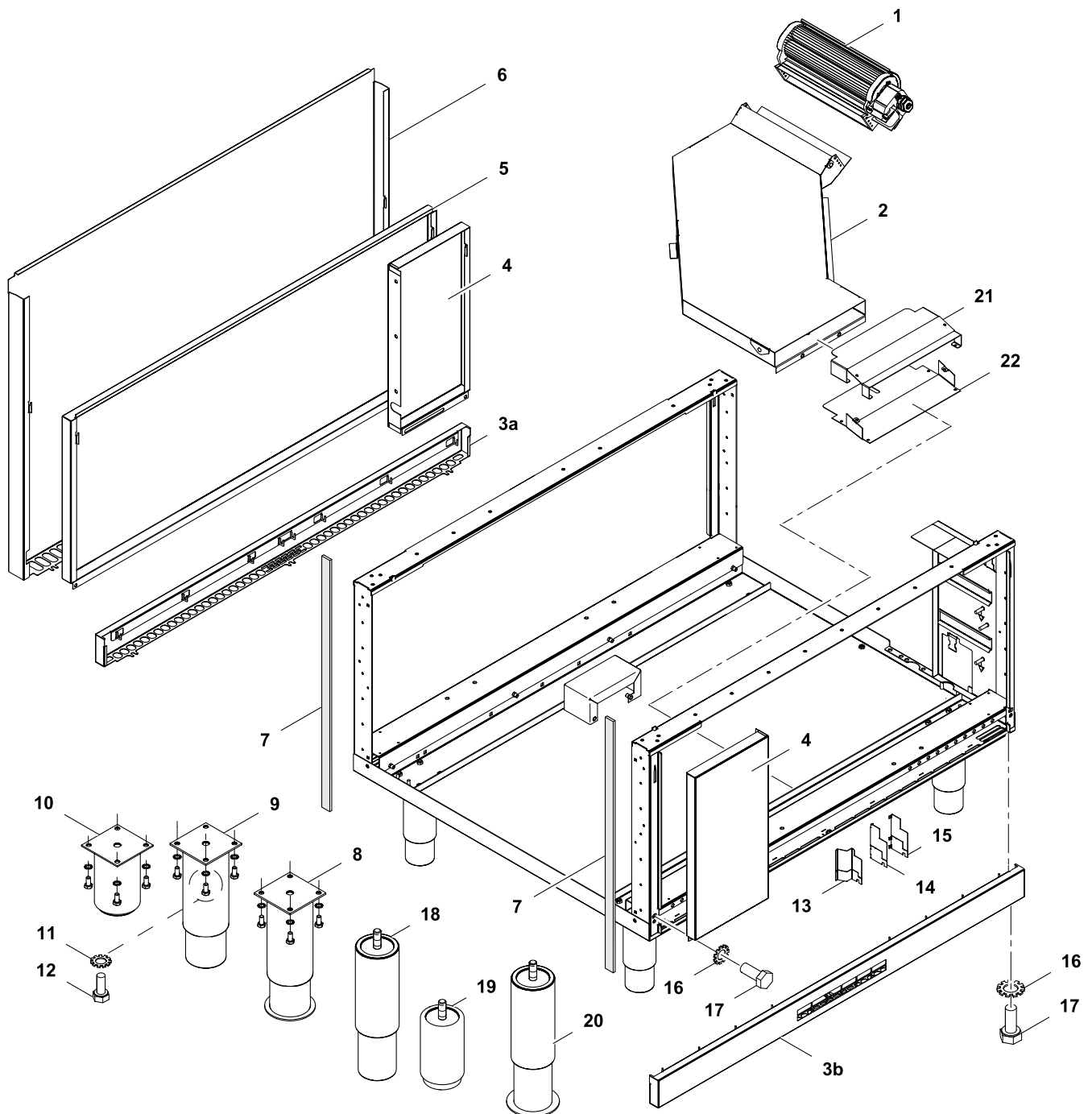
5	Alias	Code	Bezeichnung	Description	Ref.	Valid from Serial N°
1	82.7464	0C2496	Dichtband	Sealing strip	all types	
2	72.6015	0T2444	Wok Cuvette	Wok cuvette	Wok	
3	82.7402	0G6337	Glaskeramikplatte 320x320	Ceramic glass plate 320x320	Plate	
	1 201 1444	OK5103	Silikonplättchen	Silicon plate	all types	
	1 201 1792	OK3948	Novasil Kleber	Glue Novasil	all types	
4	82.2585	0C7167	Wok Support	Wok support	Wok	
5	712 044120.05	0G3998	Keps-Mutter M5	Keps-nut M5	Wok	
6	82.0712.XX	*	Auflage hinten FMM	Support backside FMM	-----	
7	82.0715.XX	*	Querträger verstellbar	Cross beam	-----	
8	82.0714.XX	*	Längsträger verstellbar	Longitudinal beam	-----	
9	82.0713.XX	*	Befestigung seitlich	Support sides	-----	
10	82.0711.XX	*	Aufhängung vorn FMM	Support fontside FMM	-----	
11	1 701 3535	0G3588	Unterlegscheibe M5	Washer M5	all types	
12	1 701 2623	0T1776	Sechskantschraube M5x6	Hex bolt M5x6	all types	
13	712 044120.04	0G4918	Keps-Mutter M4	Keps-nut M4	all types	
14	82.0711.01	*	Aufhängung Wok vorn	Support Wok front side	Wok	
15	82.7079.01	0C8305	Kit Atics 5kW 400V	Kit Atics 5kW 400V	Plate	
	82.7079.03	0G7994	Kit Atics 5KW 440V	Kit Atics 5KW 440V	M1 M2	
16	82.7347.01	0C9091	Kit Atics Wok 5kW 400V	Kit Atics Wok 5kW 400V	Wok	
	82.7347.03	0G7995	Kit Atics Wok 5KW 440V	Kit Atics Wok 5KW 440V	M5 M6 M7	
17	82.2660.01	*	Spulensupport T800/850	Coil support D800/850	2-Zone D800/850	
	82.2660.02	*	Spulensupport T900	Coil support D900	2-Zone D900	
18	82.2854	*	Schiene	L-rail	2-Zone	
19	82.2582	*	Support Wok & Plate	Support Wok & Plate	Wok & Plate	
	82.2670	*	Support Wok	Support Wok	Wok	
20	1 701 2026	OK4596	Schraube M4x20	Screw M4x20	all types	
21	1 701 2021	OKX167	Schraube M4x10	Screw M4x10	all types	
22	1 701 3502	0G3595	Unterlegscheibe $\varnothing 4,3 \times \varnothing 9 \times 0,8$	Washer $\varnothing 4,3 \times \varnothing 9 \times 0,8$	all types	
23	1 701 2503	0G5490	Sechskantschraube M4x8	Hex bolt M4x8	all types	
24	*	*	Luftkanal	Air channel	all types	
25	82.0114.11	0G7054	Abgrenzungsblech Frischluft links	Aeration sheet left	all types	
	82.0114.12	0G7056	Abgrenzungsblech Frischluft rechts	Aeration sheet right	2-Side	

\* Components on demand  
\* Teile auf Anfrage

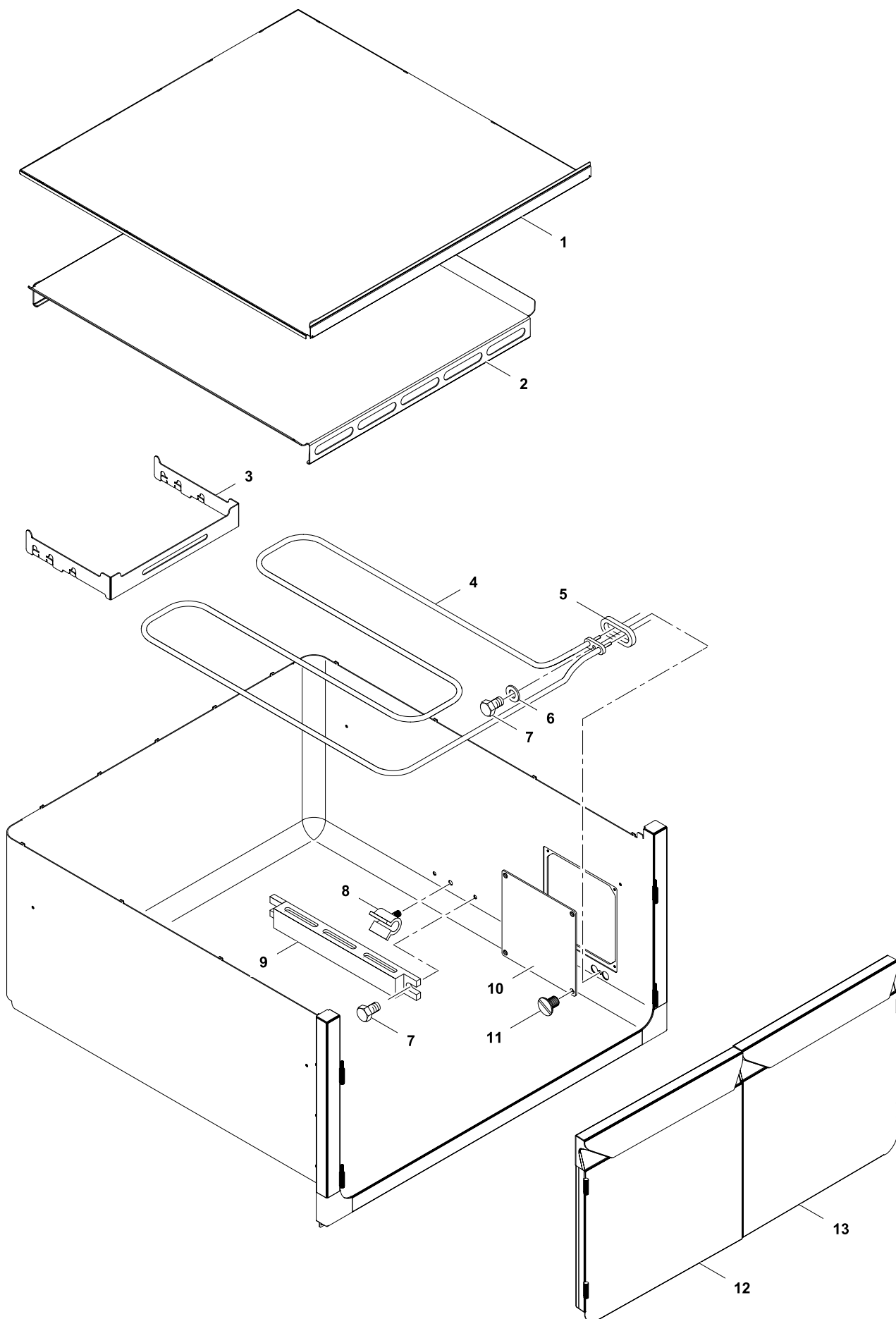


6	Alias	Code	Bezeichnung	Description	Ref.	Valid from Serial N°
1	712 044120.05	0G3998	Kepsmutter M5	Hex nut M5	W > 400	
2	1 701 7002	0G2923	Fächerscheibe M5	Fan washer M5	W > 400	
3	1 701 2579	0G4020	Sechskantschraube M5x16	Hex bolt M5x16	W > 400	
4	82.3001	*	Standard Ventilationsbox links	Ventilation box left	W > 400	
	82.2717.02	*	Ventilationsbox Induktion left	Ventilation box induction left	oven & warm.	
5	82.7550.01	0G7868	Rohrstutzen gerade	Pipe socket straight	W > 400	
	82.7550.02	*	Rohrstutzen schräg	Pipe socket angular	oven & warm.	
	82.2721	*	Reduzierstück Ø 60,3 Ø 42,2	Reduction piece Ø 60,3 Ø 42,2	oven & warm.	
6	1 201 2105	0G6754	Schlauchschelle 60-115mm	Hose clamp 60-115mm	W > 400	
	1 201 2209	0G7664	Schlauchschelle 50-70mm	Hose clamp 50-70mm	r t w y 1 3 6 8	
	82.7250	0G7665	Schlauchschelle 40-60/9	Hose clamp 40-60/9	oven & warm.	
7	83.9010	0G6701	Alu-Flexschlauch Ø60/66	Flexible aluminium hose Ø60/66	W > 400	
	82.7461	0G7666	Alu-Flexschlauch Ø42,5/47,5	Flexible aluminium hose Ø42,5/47,5	oven & warm.	
8	1 101 8170	0G3250	Innensechskantschraube M4x8	Allen bolt M4x8	W > 400	
9	1 701 1083	0G5755	Zylinderschraube M3x30	Socket cap screw M3x30	W > 400	
10	1 701 3540	2KI478	Unterlagsscheibe M3	Washer M3	W > 400	
11	82.7159	0G6274	Ventilator 60x60x25 622HH (3.5W)	Cooling fan 60x60x25 622HH (3.5W)	W > 400	5361...
	82.7537	0G7488	Ventilator 60x60x25 PWM	Cooling fan 60x60x25 PWM	W > 400	
12	82.0133	0G6755	Verstärkungsrohr Ventilator	Cooling fan support	W > 400	

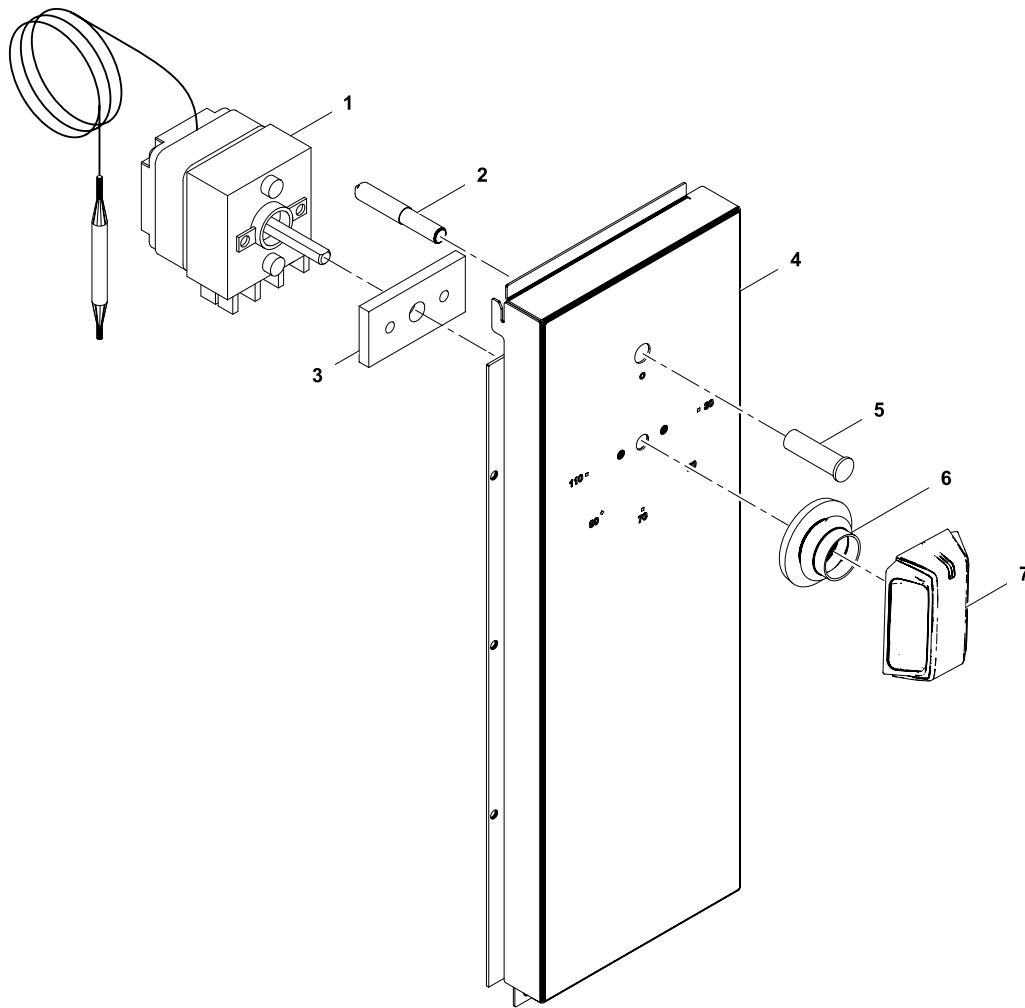




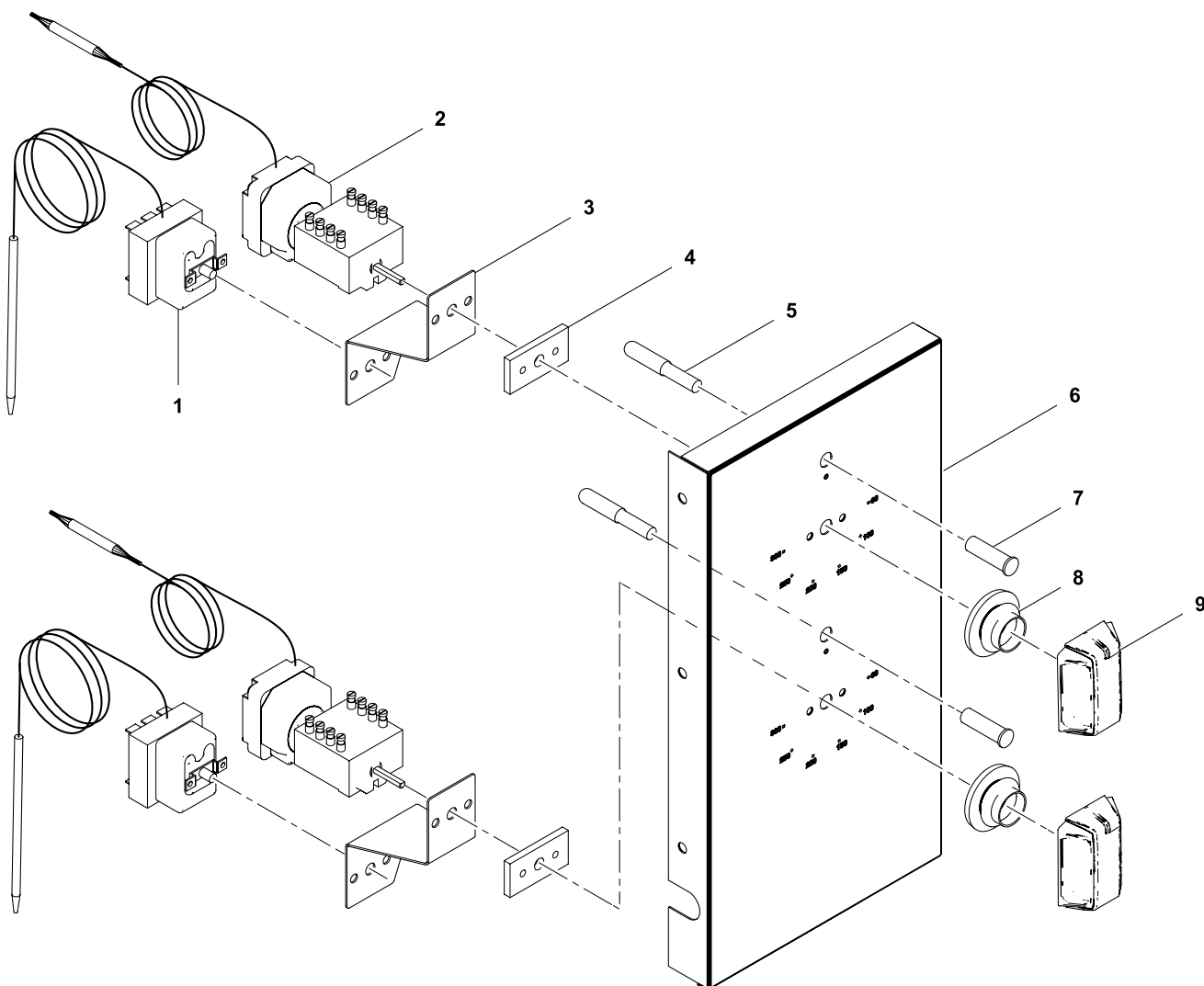
7	Alias	Code	Bezeichnung	Description	Ref.	Valid from Serial N°
1	82.7439	OG6640	Querstromlüfter QLN65/0012-2524	Cross flow blower QLN65/0012-2524	all types	
2	82.5191.008	*	Luftkanal klein 800x800	Air channel small 800x800	D800	
	82.5192.008	*	Luftkanal klein 800x850	Air channel small 800x850	D850	
	82.5193.010	*	Luftkanal klein 1000x900	Air channel small 1000x900	D900	
3a	82.1140.08	OG7288	Anschlussdeckel H66/L800	Bottom front panel H66/L800	D800 2-Sides H700	
	82.1140.28	*	Anschlussdeckel H166/L800	Bottom front panel H166/L800	D800 2-Sides H800	
	82.1140.10	OG7901	Anschlussdeckel H66/L1000	Bottom front panel H66/L1000	D900 2-Sides H700	
	82.1140.30	OG7792	Anschlussdeckel H166/L1000	Bottom front panel H166/L1000	D900 2-Sides H800	
3b	82.1178.08	*	Anschlussdeckel H66/L800	Bottom front panel H66/L800	D800/850 H700	
	82.1178.28	*	Anschlussdeckel H166/L800	Bottom front panel H166/L800	D800 H800	
	82.1178.10	*	Anschlussdeckel H66/L1000	Bottom front panel H66/L1000	D900 H700	
	82.1178.30	*	Anschlussdeckel H166/L1000	Bottom front panel H166/L1000	D900 H800	
4	82.1046.01	*	Ofenblende 201mm links	Oven panel 201mm left	Oven D900	
	82.1046.02	*	Ofenblende 201mm rechts	Oven panel 201mm right	Oven D900 2-Sides	
	82.1046.09	*	Ofenblende 126mm links	Oven panel 126mm left	Oven D800 2-Sides	
	82.1046.11	*	Ofenblende 76mm links	Oven panel 76mm left	Oven D800/850	
	82.1046.12	*	Ofenblende 76mm rechts	Oven panel 76mm right	Oven D800 2-Sides	
	82.1042.08	*	Korpusabdeckung links 100	Cover panel left 100	Warm. D800 2-Sides	
	82.1041.05	*	Korpusabdeckung rechts 60	Cover panel right 60	Warm. D800 2-Sides	
	82.1042.05	*	Korpusabdeckung links 60	Cover panel left 60	Warm. D800/850	
	82.1041.01	*	Korpusabdeckung rechts 130	Cover panel right 130	Warm. D900 2-Sides	
	82.1042.01	*	Korpusabdeckung links 130	Cover panel left 130	Warm. D900	
5	82.1102.07	OG7286	Rückwand 800x700	Back panel 800x700	D800/H700/1-Side/no C-Board	
	82.1102.27	*	Rückwand 800x800	Back panel 800x800	D800/H800/1-Side/no C-Board	
	82.1102.09	*	Rückwand 1000x700	Back panel 1000x700	D900/H700/1-Side/no C-Board	
	82.1102.29	*	Rückwand 1000x800	Back panel 1000x800	D900/H800/1-Side/no C-Board	
6	82.1007.07	*	Rückwand C-Board 800x700	Back panel C-Board 800x700	D800/850/H700/C- Board	
	82.1007.27	*	Rückwand C-Board 800x800	Back panel C-Board 800x800	D800/H800/C- Board	
	82.1007.09	*	Rückwand C-Board 1000x700	Back panel C-Board 1000x700	D900/H700/C- Board	
	82.1007.29	*	Rückwand C-Board 1000x800	Back panel C-Board 1000x800	D900/H800/C- Board	
7	82.7467	OC7307	Dichtung 5mm	Sealing sides 5mm	H700/800	5101...
8	83.3728	OG6886	Stellfuß 2" Marine 145-252mm	Adjustable feet 2" Marine 145-252mm	H700 Marine	
9	86.0001	OG5391	Stellfuß 2" 145-252mm rund	Adjustable feet 2" 145-252mm, round	H700	
10	86.2385	OG6140	Stellfuß 2" 100mm	Adjustable feet 2" 100mm	H800	
11	1 701 5051	OG6753	Fächerscheibe M6	Fan washer M6	H700/800	
12	1 701 2600	OKT919	Sechskantschraube M6x12	Hex bolt M6x12	H700/800	
13	82.0113.01	OG7386	Leitblech H700 links	Aeration sheet left H700	H700	
	82.0113.11	OG7387	Leitblech H800 links	Aeration sheet left H800	H800	
14	82.0114.01	OG7053	Abrenzungsblech H700 links	Aeration sheet left H700	H700	
	82.0114.11	OG7054	Abrenzungsblech H800 links	Aeration sheet left H800	H800	
15	82.0114.02	OG7055	Abrenzungsblech H700 rechts	Aeration sheet right H700	H700	
	82.0114.12	OG7056	Abrenzungsblech H800 rechts	Aeration sheet right H800	H800	
16	1 701 2579	OG4020	Sechskantschraube M5x16	Hex bolt M5x16	all types	
17	1 701 7002	OG2923	Fächerscheibe M5	Fan washer M5	all types	
18	82.0350.01	OG7958	Fuss M10 200mm	Foot M10 200mm	H700	7141...
19	82.0350.02	OG7957	Fuss M10 100mm	Foot M10 100mm	H800	7141...
20	82.0350.03		Fuss M10 200mm Marine	Foot M10 200mm Marine	H700	7141...
21	82.1200.01		Kanalverlängerung oben	Air channel extension top	all types	
22			Kanalverlängerung unten	Air channel extension bottom	all types	
	82.9278		Kabel: Ofen - Querstromlüfter Foucault II	Cable: Oven - Cross flow blower Foucault II		



8	Alias	Code	Bezeichnung	Description	Ref.	Valid from Serial N°
1	82.0226.03		Korpusdeckel 1-seitig 640mm	Corpus cover 1-side 640mm	D800/850 1-Side	
	82.0226.04		Korpusdeckel 1-seitig 740mm	Corpus cover 1-side 740mm	D900 1-side	
	82.0084.04		Korpusdeckel 2-seitig 640mm	Corpus cover 2-side 640mm	D800 2-Sides	
	82.0084.09		Korpusdeckel 2-seitig 740mm	Corpus cover 2-side 740mm	D900 2-Sides	
2	82.2326.03	0G7402	Einlegeboden 640 1S	False bottom 640 1S	D800/850	
	82.0195.02	0G7404	Einlegeboden 740 2S 900	False bottom 740 2S 900	D900 2-Sides	
	82.3063.03		Einlegeboden 640 800	False bottom 640 800	q r s t u	7021...
	82.3063.05		Einlegeboden 740 900	False bottom 740 900	w y	7021...
	82.3063.06		Einlegeboden 740 800	False bottom 740 800	v x	7021...
3	62.4208	0G7406	Halter Heizung	Heating element support	all types	
	72.6257	0G7344	Halter Heizung	Heating element support	all types	
4	62.4082	0G2911	Heizung 2000W /400V	Heating element 2000W /400V	all types	
5	72.1120	0K4989	Dichtung 44x20x3	Sealing 44x20x3	all types	
6	1 701 7002	0G2923	Fächerscheibe M5	Fan washer M5	all types	
7	1 701 2579	0G4020	Sechslantschraube M5x16	Hex bolt M5x12	all types	
8	1 201 2020	0G7345	Fühlerbefestigung	Sensor fixation	all types	
9	72.6251	0G7346	Fühlerschutz	Sensor protection	all types	
10	82.0223.01	0G6757	Deckel Servicefenster	Lid service cover	all types	
11	1 701 1145	0G6758	Senkkopfschraube M4x6	Countersunk screw M4x6	all types	
12	82.0255.01	0G7351	Tür, doppelt, 290, links	Door, couple, 290, left	D900/850 H2	
	82.0255.03	0G7353	Tür, doppelt, 340, links	Door, couple, 340, left	W1000 1S/2S H2	
	82.1068.02	0G7349	Tür, doppelt, NHC, 580, links	Door, couple, NHC, 580, left	D850 NHC	
13	82.0255.02	0G7352	Tür, doppelt, 290, rechts	Door, couple, 290, right	D900/850 H2	
	82.0255.04	0G7354	Tür, doppelt, 340, rechts	Door, couple, 340, right	W100 2S H2	
	82.1068.01	0G7348	Tür, doppelt, NHC, 580, rechts	Door, couple, NHC, 580, right	D850 NHC	

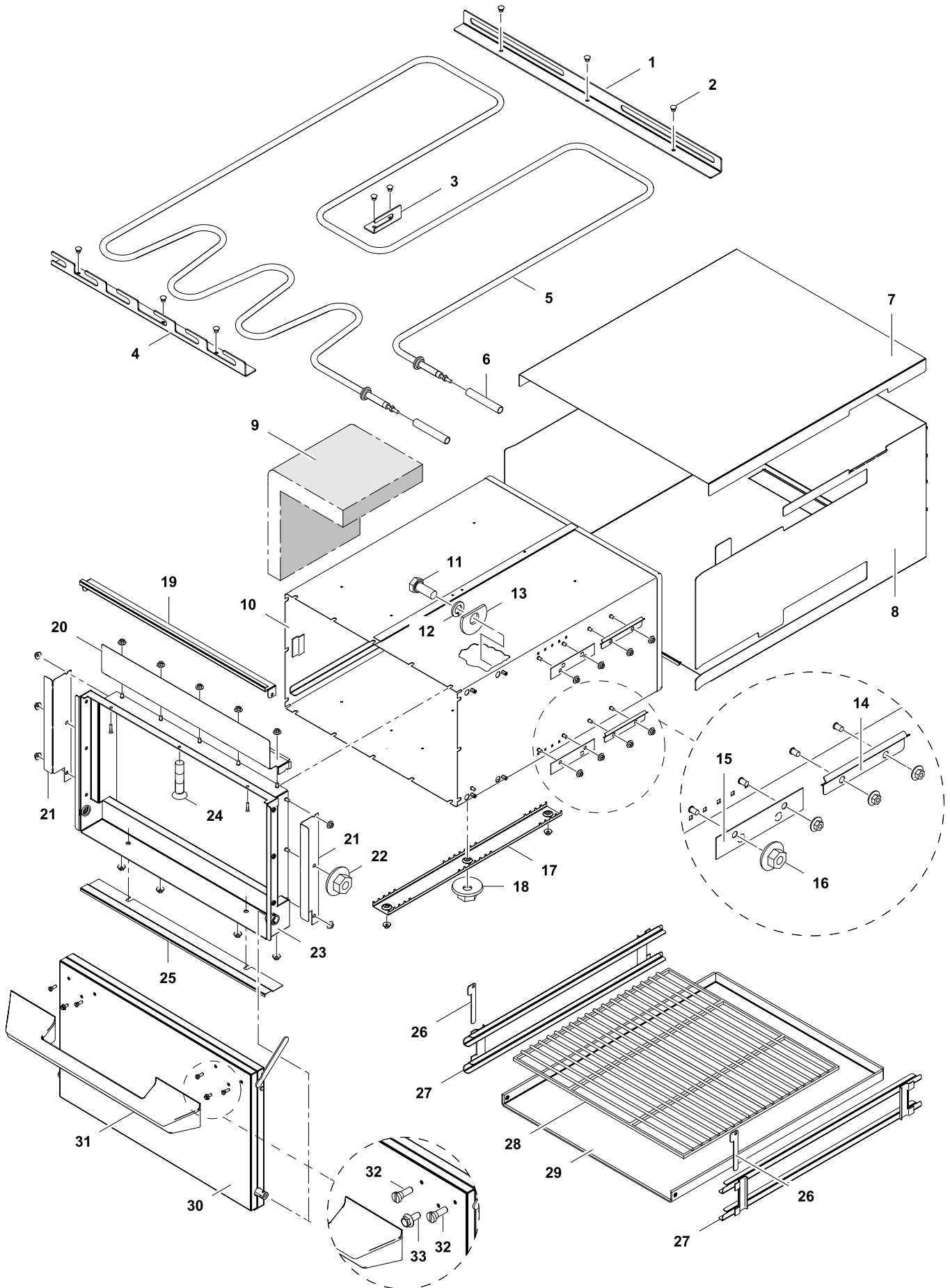


9	Alias	Code	Bezeichnung	Description	Ref.	Valid from Serial N°
1	712 344039	OK5023	Kapillarrohrregler 30-100	Capillary control 30-100	all types	
2	72.5938.04	OKI362	Anzeigelampe klar	Indicator light, clear	all types	
3	82.2665	OG7229	Zwischenblech	Spacer sheet	all types	
4	82.1043.04	*	Bedienblende warming cabinet, rechts, 100	Control panel warming cabinet, right, 100	D800/850	
	82.1043.01	*	Bedienblende warming cabinet, rechts, 130	Control panel warming cabinet, right, 130	D900	
5	72.5938.08	OKI364	Einsteckfassung klar Ø10mm	Lamp holder, clear, Ø10mm	all types	
6	82.7009	OG6247	Dichtung Drehgriff	Sealing for handle	all types	
7	82.9124.01	OG6369	Drehgriff mit Adapter 0°x6.0	Handle with adapter 0°x6.0	all types	
	62.1544.01	OG7399	Kabelbaum: Wärmeschrank komplett	Wiring harness: warming cabinet	warming cabinet	
	62.1503.02	OG7162	Verdrahtung 2X0.5X 300	Wiring 2x0.5x300	warming cabinet	
	82.9183.02	OG7360	Kabel: WS-Querstromlüfter klein	Cable: Warming cab.-cross flow blower small	warming cabinet	



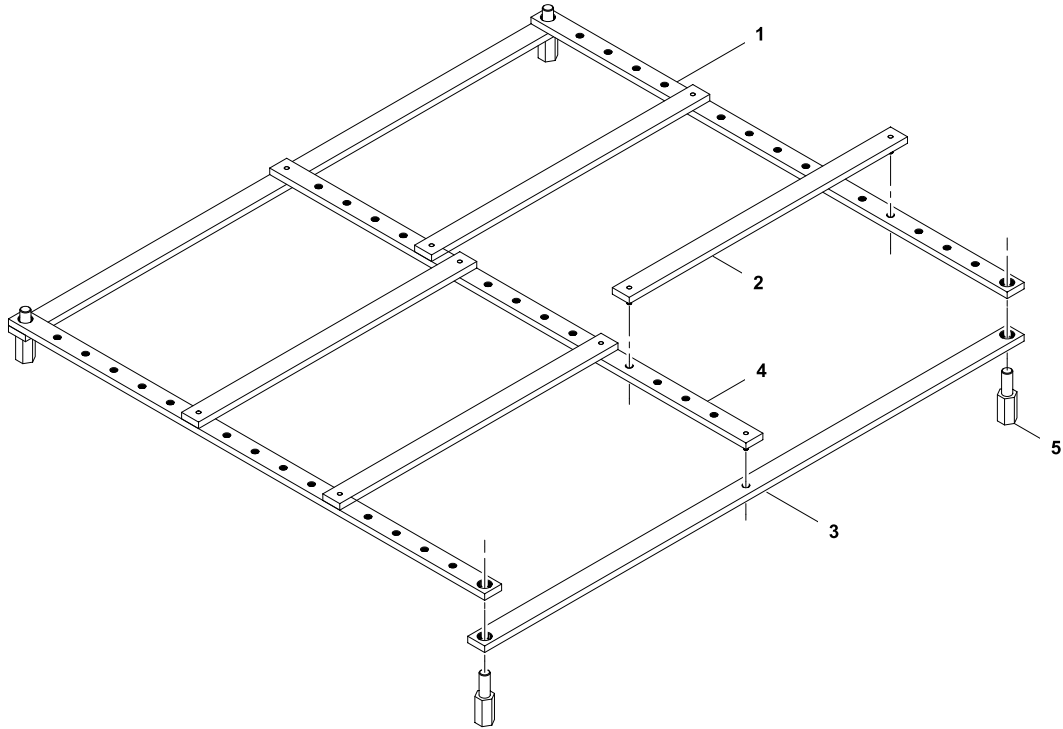
10	Alias	Code	Bezeichnung	Description	Ref.	Valid from Serial N°
1	82.9053	004269	Sicherheitsthermostat 360°C-25K	Safety thermostat 360°C-25K	all types	
2	82.9120	0G6318	Schalter off - lin 3/4 + Regler 280°C	Switch off - lin 3/4 + control 280°C	all types	
3	82.6524	0G7228	Montagewinkel	Mounting angle	all types	
4	82.2665	0G7229	Zwischenblech	Spacer plate	all types	
5	72.5938.03	0K1361	Anzeigelampe klar	Indicator light, clear	all types	
6	82.1120.04	*	Reglerblende Ofen 126mm (°C)	Control panel oven 126mm (°C)	D800/850	
	82.1120.03	*	Reglerblende Ofen 201mm (°C)	Control panel oven 201mm (°C)	D900	
7	72.5938.07	0K1363	Einsteckfassung klar Ø10mm	Lamp holder, clear, Ø10mm	all types	
8	82.7009	0G6247	Dichtung Drehgriff	Sealing for handle	all types	
9	82.9124.01	0G6369	Drehgriff mit Adapter 0°x6.0	Handle with adapter 0°x6.0	all types	
	82.9132.02	0G7503	Kabel: Ofen - Querstromlüfter klein	Cable: oven - cross flow blower short	oven	
	82.9104	0G7389	Kabel: X0 - Schalter 5+6 Ofen	Cable: X0 - Switch 5+6 Oven	oven	
	82.9071.01	0G7390	Kabel: Schalter S5 - STB1 - E5 H5 Ofen	Cable: Switch S5 - STB1 - E5 H5 Oven	oven	
	82.9071.02	0G7391	Kabel: Schalter S6 - STB2 - E6 H6 Ofen	Cable: Switch S6 - STB2 - E6 H6 Oven	oven	
	82.9136	0G7283	Kabel: Temperatur Thermostat KLIICKSON	Cable: Temperature thermostat KLIICKSON	oven	
	82.9203	0G6950	Kabel: Ofen einseitig Marine	Cable: Oven one side Marine	M8	

\* Components on demand  
\* Teile auf Anfrage





11	Alias	Code	Bezeichnung	Description	Ref.	Valid from Serial N°
1	72.6609	OT2542	Halter Heizung hinten	Heating element support backside	all types	
2	1 701 1102	OG6411	Niete 4x7.3	Rivet 4x7.3	all types	
3	72.6610	OT2543	Halter Heizung mittig	Heating element support middle	all types	
4	72.6613	OT2544	Halter heizung vorn	Heating element support frontside	all types	
5	72.5054.03	OK1360	Heizung 2.5kW 400V	Heating element 2.5kW 400V	all Standard	
	72.5054.05	OG2987	Heizung 2.5kW 440V	Heating element 2.5kW 440V	M8 M9	
6	1 115 1281	OK4567	Isolierschlauch Ø14	Insulation tube Ø14	all types	
	1 115 1280	OT0571	Isolierschlauch Ø10	Insulation tube Ø10		
7	82.1157.03	*	Deckel Ofenverkleidung D800	Lid oven cover D800	D800	
	82.1157.01	*	Deckel Ofenverkleidung D850	Lid oven cover D850	D850	
	82.1157.02	*	Deckel Ofenverkleidung D900	Lid oven cover D900	D900	
8	82.1156.03	*	Unterteil Ofenverkleidung 1S/D800	Bottom oven cover 1S/D800	1-side/D800	
	82.1156.01	*	Unterteil Ofenverkleidung 1S/D850	Bottom oven cover 1S/D850	1-side/D850	
	82.1156.02	*	Unterteil Ofenverkleidung 1S/D900	Bottom oven cover 1S/D900	1-side/D900	
	82.1160.03	*	Unterteil Ofenverkleidung 2S/D800	Bottom oven cover 2S/D800	2-sides/D800	
	82.1160.02	*	Unterteil Ofenverkleidung 2S/D900	Bottom oven cover 2S/D900	2-sides/D900	
9	72.0807	OK4265	Isolation	Insulation	2-sides	
	72.0746.01	OK6341	Isolation	Insulation	1-side	
10	72.9794	*	Mantel Elektrobackofen	Mantle electric oven	all types	
11	1 701 2509	OK4598	Sechskantschraube M5x12	Hex bolt M5x12	all types	
12	1 701 5048	OH9734	Federring M5	Spring washer M5	all types	
13	719 040166	OG3052	Heizkörperscheibe	Disc	all types	
14	82.2520	OG7223	STB Halter	Safety thermostat support	all types	
15	719 040247	OK8882	Fühlerhalter	Sensor support	all types	
16	712 044120.06	OG3997	Keps-Mutter M6	Keps nut M6	all types	
17	72.0744	OK4263	Isolationsbefestigung	Insulation fixation	all types	
18	712 044120.06	OG3997	Keps-Mutter M6	Keps nut M6	all types	
19	83.3048	*	Abdeckprofil oben	Cover profile	all types	
20	82.2309	*	Klemmblech oben	Clamp sheet top	all types	
21	72.9822.02	*	Klemmblech links/rechts	Clamp sheet left/right	all types	
22	712 044120.06	OG3997	Keps-Mutter M6	Keps nut M6	all types	
23	83.3044	*	Frontrahmen Backofen	Frontal frame oven	all types	
24	GR40 186.1	OG3575	Flachkopfschraube M6x15	Flat head screw M6x15	all types	
25	83.3047	*	Abdeckprofil unten	Cover profile bottom	all types	
26	719 040244	OK5604	Arretierung Rostführung	Locking for grill rail	all types	
27	62.6197	OG6435	Rostführung Backofen 2/IGN	Grill rail 2/IGN	all types	
28	1 110 1300	OK6412	Grillrost 2/IGN	Grill 2/IGN	all types	
29	719 830045	OK8889	Einlegeplatte 2-seitig	Bottom plate 2-sides	2-sides	
	719 830077.01	OK8892	Einlegeplatte 1-seitig	Bottom plate 1-sides	1-side	
30	83.3450	OG6666	Backofentür komplett	Oven door complete	all types	
31	82.6500	OG7224	Handgriff Backofen	oven handle	all types	
32	82.7352	093923	Schraube M5x12	Screw M5x12	all types	
33	82.7567		Sicherungsschraube M5x16	Lock screw M5x16	all types	



12	Alias	Code	Bezeichnung	Description	Ref.	Valid from Serial N°
	83.3769	OG7016	Schlängerstange komplet 500	Set roling racks 500	2Zones Marine	
	83.3745	OG7017	Schlängerstange komplet 1000	Set roling racks 1000	4Zones Marine	
1	83.3741	OG7218	Schiene-1000 15xØ8	Rolling rack-1000 15xØ8	4Zones Marine	
	83.3768	OG7295	Schiene-500 15xØ8	Rolling rack-500 15xØ8	2Zones Marine	
2	83.3744	OG7219	Schiene-1000 2xØ6	Rolling rack-1000 2xØ6	4Zones Marine	
	83.3767	OG7296	Schiene-500 2xØ6	Rolling rack-500 2xØ6	2Zones Marine	
	83.4704	OG7996	Schiene 455x20	Rolling rack 455x20	M6 M7	
3	83.3743	OG7220	Schiene-1000 2xØ17	Rolling rack-1000 2xØ17	4Zones Marine	
	83.3766	OG7297	Schiene-500 2xØ17	Rolling rack-500 2xØ17	2Zones Marine	
4	83.3742	OG7221	Schiene-1000 15xØ8 mittig	Rolling rack-1000 15xØ8 mittig	4Zones Marine	
5	82.7495	OG7362	Abstandsbolzen 22x80/M8	Spacer bolt 22x80/M8	all types Marine	