

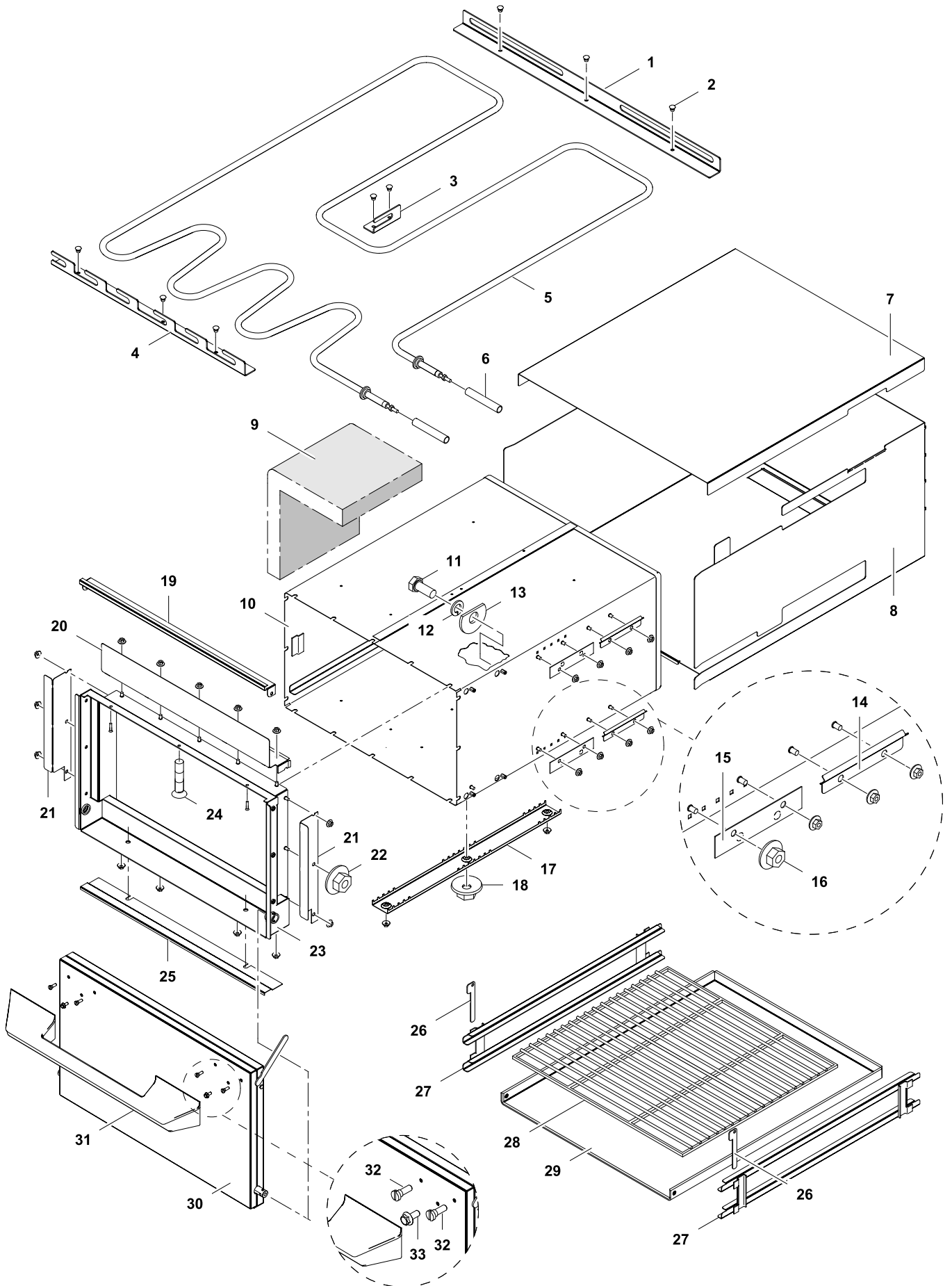
**DE** EL. BACKOFEN  
**EN** EL. STATIC OVEN

<b>PNC</b>	<b>Factory Model</b>	<b>Ref.</b>	<b>Description</b>
588157	MA8ACAHOAO	a	EL.STATIC OVEN, 1-SIDE, 800X800X450H
588158	MA8BCAHOAO	b	EL.STATIC OVEN PASSTHROUGH, 800X800X450H
588247	MA8ADAHOAO	c	EL.STATIC OVEN, 1-SIDE, 800X800X550H
588248	MA8BDAHOAO	d	EL.STATIC OVEN PASSTHROUGH, 800X800X550H
588587	MB8ACAHOAO	e	EL.STATIC OVEN, 1-SIDE, 800X850X450H
589609	MC8ACAJOAO	f	EL.STATIC OVEN, 1-SIDE, 1000X900X450H
589610	MC8BCAJOAO	g	EL.STATIC OVEN PASSTHROUGH, 1000X900X450H
589611	MC8ADAJOAO	h	EL.STATIC OVEN, 1-SIDE, 1000X900X550H
589612	MC8BDAJOAO	i	EL.STATIC OVEN PASSTHROUGH, 1000X900X550H

<b>Page</b>	<b>Index</b>
2	Oven
4	Oven base

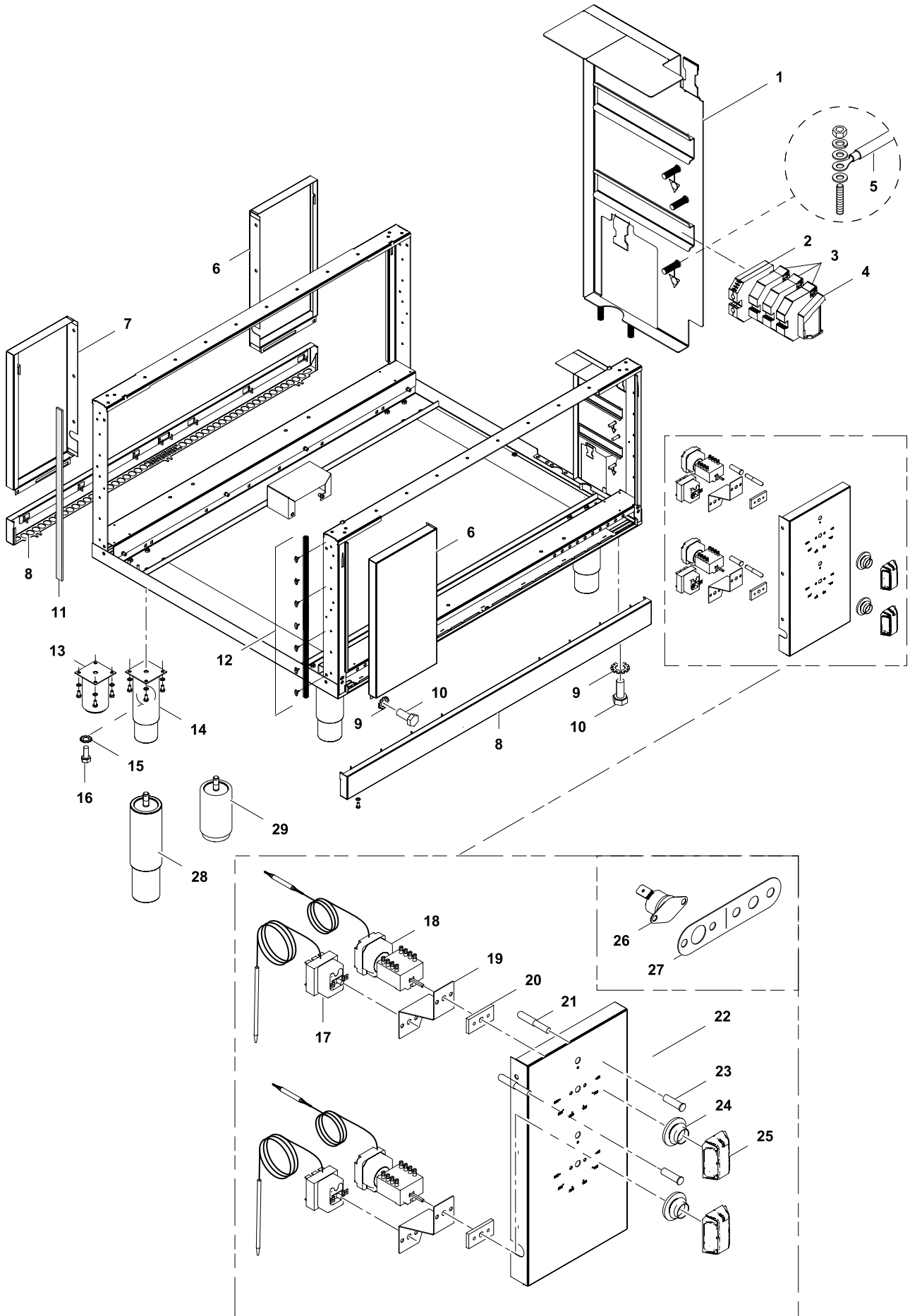
<b>Last Updates</b>	<b>Page</b>
Ed. 12/2015	all
Ed. 01/2017	all
Ed. 04/2017	4

Valid from Ser. № 3101....



1	Alias	Code	Bezeichnung	Description	Ref.	Valid from Serial N°
1	72.6609	OT2542	Halter Heizung hinten	Heating element support backside		
2	1 701 1102	OG6411	Niete 4x7.3	Rivet 4x7.3		
3	72.6610	OT2543	Halter Heizung mittig	Heating element support middle		
4	72.6613	OT2544	Halter heizung vorn	Heating element support frontside		
5	72.5054.03	OK1360	Heizung 2.5kW 400V	Heating element 2.5kW 400V		
6	1 115 1281	OK4567	Isolierschlauch Ø14	Insulation tube Ø14		
7	82.1157.03	*	Deckel Ofenverkleidung D800	Lid oven cover D800	D800	
	82.1157.01	*	Deckel Ofenverkleidung D850	Lid oven cover D850	D850	
	82.1157.02	*	Deckel Ofenverkleidung D900	Lid oven cover D900	D900	
8	82.1156.03	*	Unterteil Ofenverkleidung 1S/D800	Bottom oven cover 1S/D800	1-side/D800	
	82.1156.01	*	Unterteil Ofenverkleidung 1S/D850	Bottom oven cover 1S/D850	1-side/D850	
	82.1156.02	*	Unterteil Ofenverkleidung 1S/D900	Bottom oven cover 1S/D900	1-side/D900	
	82.1160.03	*	Unterteil Ofenverkleidung 2S/D800	Bottom oven cover 2S/D800	2-sides/D800	
	82.1160.02	*	Unterteil Ofenverkleidung 2S/D900	Bottom oven cover 2S/D900	2-sides/D900	
9	72.0807	OK4265	Isolation	Insulation		
10	72.9794	*	Mantel Elektrobackofen	Mantle electric oven		
11	1 701 2509	OK4598	Sechskantschraube M5x12	Hex bolt M5x12		
12	1 701 5048	OH9734	Federring M5	Spring washer M5		
13	719 040166	OG3052	Heizkörperscheibe	Disc		
14	82.2520	OG7223	STB Halter	Safety thermostat support		
15	719 040247	OK8882	Fühlerhalter	Sensor support		
16	712 044120.06	OG3997	Keps-Mutter M6	Keps nut M6		
17	72.0744	OK4263	Isolationsbefestigung	Insulation fixation		
18	712 044120.06	OG3997	Keps-Mutter M6	Keps nut M6		
19	83.3048	*	Abdeckprofil oben	Cover profile		
20	82.2309	*	Klemmblech oben	Clamp sheet top		
21	72.9822.02	*	Klemmblech links/rechts	Clamp sheet left/right		
22	712 044120.06	OG3997	Keps-Mutter M6	Keps nut M6		
23	83.3044	*	Frontrahmen Backofen	Frontal frame oven		
24	GR40 186.1	OG3575	Flachkopfschraube M6x15	Flat head screw M6x15		
25	83.3047	*	Abdeckprofil unten	Cover profile bottom		
26	719 040244	OK5604	Arretierung Rostführung	Locking for grill rail		
27	62.6197	OG6435	Rostführung Backofen 2/IGN	Grill rail 2/IGN		
28	1 110 1300	OK6412	Grillrost 2/IGN	Grill 2/IGN		
29	719 830045	OK8889	Einlegeplatte	Bottom plate		
30	83.3450	OG6666	Backofentür komplett	Oven door complete		
31	82.6500	OG7224	Handgriff Backofen	Oven handle		
32	82.7352	O93923	Schraube M5x12	Screw M5x12		
33	82.7567		Sicherungsschraube M5x16	Locking screw M5x16		

\* Components on demand  
\* Teile auf Anfrage



2	Alias	Code	Bezeichnung	Description	Ref.	Valid from Serial N°
1	82.3030.02	OG6423	Klemmenträger	Terminal support		
	82.3051	OG7430	Klemmenträger	Terminal support		5431...
2	75.2011.02	OKT729	Schutzleiterklemme 10mm²	Ground conductor terminal 16mm²		
3	75.2010.30	OKT732	Reihenklemme 10mm² grau	Terminal block 16mm² grey		
4	75.2013	OKX290	Arretierstück	Fixation		
5	82.9103	OG6424	Kabel Haupterd draht L400 6mm²	Main earthing cable L400 6mm²		
6	82.1046.07	*	Ofenblende 51mm links	Oven panel 51mm links	D800/850	
	82.1046.01	*	Ofenblende 201mm links	Oven panel 201mm links	D900	
	82.1046.05	*	Ofenblende 151mm links	Oven panel 151mm links	all 2-Sides	
7	82.1046.08	*	Ofenblende 51 rechts	Oven panel 51 rechts	2-Sides/D800	
	82.1046.02	*	Ofenblende 201 rechts	Oven panel 201 rechts	2-Sides/D900	
8	82.1140.08	OG7288	Anschlussdeckel H66/L800	Bottom front panel H66/L800	H700/D800 no C-Board	
	82.1140.28	*	Anschlussdeckel H166/L800	Bottom front panel H166/L800	H800/D800 no C-Board	
	82.1140.10	OG7901	Anschlussdeckel H66/L1000	Bottom front panel H66/L1000	H700/D900 no C-Board	
	82.1140.30	OG7792	Anschlussdeckel H166/L1000	Bottom front panel H166/L1000	H800/D900 no C-Board	
9	1 701 7002	OG2923	Fächerscheibe M5	Fan washer M5		
10	1 701 2579	OG4020	Sechskantschraube M5x16	Hex bolt M5x16		
11	82.7467	OC7307	Dichtung 5mm	Sealing sides 5mm		5101...
12	82.7334	OG6396	Dichtung Geräte seitwärts (NM)	Side-sealing strip		
13	86.2385	OG6140	Stellfuß 2" 100mm	Adjustable feet 2" 100mm	H800	
14	86.0001	OG5391	Stellfuß 2" 145-252mm rund	Adjustable feet 2" 145-252mm, round	H700	
15	1 701 5051	OG6753	Fächerscheibe M6	Fan washer M6	H700/800	
16	1 701 2600	OKT919	Sechskantschraube M6x12	Hex bolt M6x12	H700/800	
17	82.9053	004269	Sicherheitsthermostat 360°C-25K	Safety thermostat 360°C-25K		
18	82.9120	OG6318	Schalter off - lin 3/4 + Regler 280°C	Switch off - lin 3/4 + control 280°C		
19	82.6524	OG7228	Montagewinkel	Mounting angle		
20	82.2665	OG7229	Zwischenblech	Spacer plate		
21	72.5938.03	OKI361	Anzeigelampe klar	Indicator light, clear		
22	82.1120.02	*	Reglerblende Ofen 151mm (°C)	Control panel oven 151mm (°C)	D800/850	
	82.1120.03	*	Reglerblende Ofen 201mm (°C)	Control panel oven 201mm (°C)	D900	
23	72.5938.07	OKI363	Einsteckfassung klar Ø10mm	Lamp holder, clear, Ø10mm		
24	82.7009	OG6247	Dichtung Drehgriff	Sealing for handle		
25	82.9124.01	OG6369	Drehgriff mit Adapter 0°x6.0	Handle with adapter 0°x6.0		
26	82.9062	OG6231	Temperatur-Thermostat 50°	Temperature thermostat 50°		
27	82.2682	OG7282	Blech	Metal sheet		
28	82.0350.01		Fuss M10 200mm	Foot M10 200mm	H800	7141...
29	82.0350.02		Fuss M10 100mm	Foot M10 100mm	H700	7141...
	82.9136	OG7283	Kabel: Temperatur-Thermostat	Cable: Temperatur-Thermostat		
	82.9104	OG7389	Kabel: X0 - Schalter - 5+6 (Ofen)	Cable: X0 - switch - 5+6 (oven)		
	82.9071.01	OG7390	Kabel: Schalter R5-STB1-E5 H5 (Ofen)	Cable: switch R5-STB1-E5 H5 (oven)		
	82.9071.02	OG7391	Kabel: Schalter R6-STB2-E6 H6 (Ofen)	Cable: switch R6-STB2-E6 H6 (oven)		