

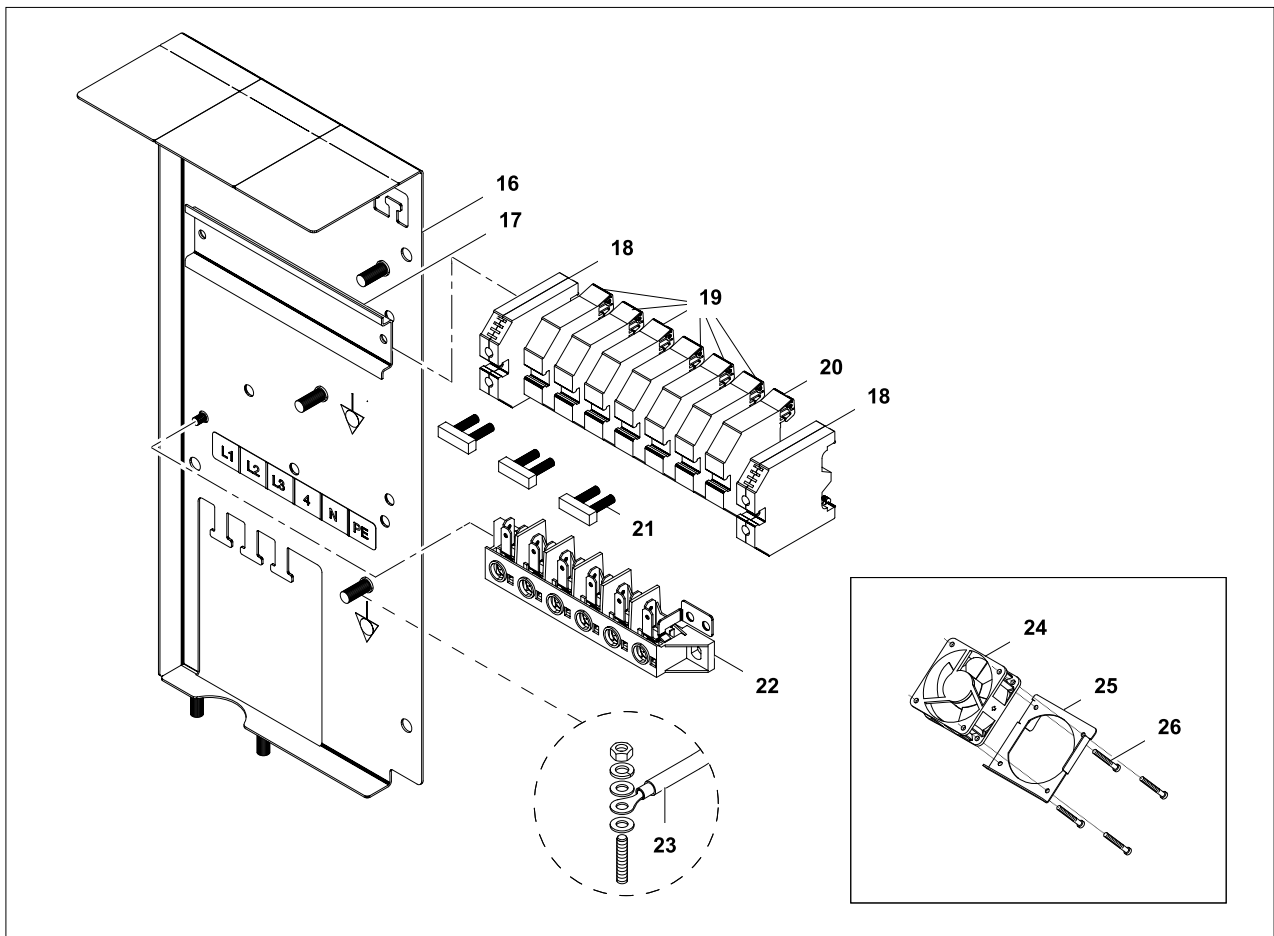
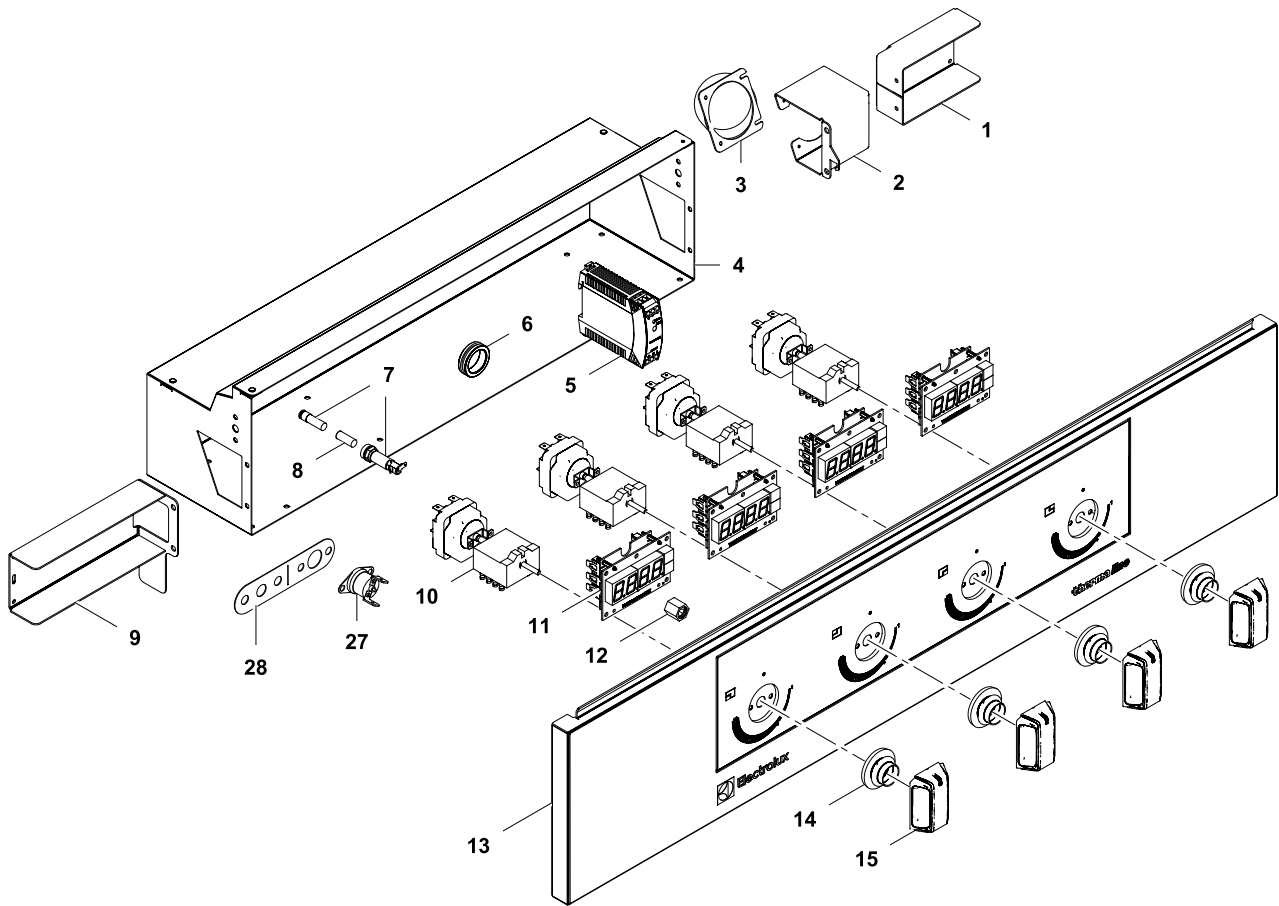
DE INFRAROTHERDE
EN INFRARED COOKERS

PNC	Factory Model	Ref.	Description
588012	MACBAADOAO	a	INFRARED TOP, 2 ZONES, 1-SIDE, 400X800X250H
588013	MACBABDOAO	a	INFRARED TOP, 2 ZONES, 1-SIDE, C-BOARD, 400X800X250H
588014	MACBACDOAO	b	INFRARED TOP, 2 ZONES, 2-SIDES, 400X800X250H
588015	MACDAAHOAO	c	INFRARED TOP, 4 ZONES, 1-SIDE, 800X800X250H
588016	MACDABHOAO	c	INFRARED TOP, 4 ZONES, 1-SIDE, C-BOARD, 800X800X250H
588017	MACDACHOAO	d	INFRARED TOP, 4 ZONES, 2-SIDES, 800X800X250H
588505	MBCBBBDOAO	e	INFRARED TOP, 2 ZONES, 1-SIDE, C-BOARD, 400X850X250H
588506	MBCDBBHOAO	f	INFRARED TOP, 4 ZONES, 1-SIDE, C-BOARD, 800X850X250H
589015	MCCBAEAOAO	g	INFRARED TOP, 2 ZONES, 1-SIDE, 500X900X250H
589016	MCCBABEOAO	g	INFRARED TOP, 2 ZONES, 1-SIDE, C-BOARD, 500X900X250H
589017	MCCBACEOAO	h	INFRARED TOP, 2 ZONES, 2-SIDES, 500X900X250H
589018	MCCDAAJOAO	i	INFRARED TOP, 4 ZONES, 1-SIDE, 1000X900X250H
589019	MCCDABJOAO	i	INFRARED TOP, 4 ZONES, 1-SIDE, C-BOARD, 1000X900X250H
589020	MCCDACJOAO	k	INFRARED TOP, 4 ZONES, 2-SIDES, 1000X900X250H

Page	Index
2	Electronical parts (FME)
4	Aeration kit (FML)
6	Mechanical parts (FMM)

Last Updates	Page
Ed. 12/2015	all
Ed. 01/2017	all
Ed. 04/2017	3

Valid from Ser. Nº 3101....

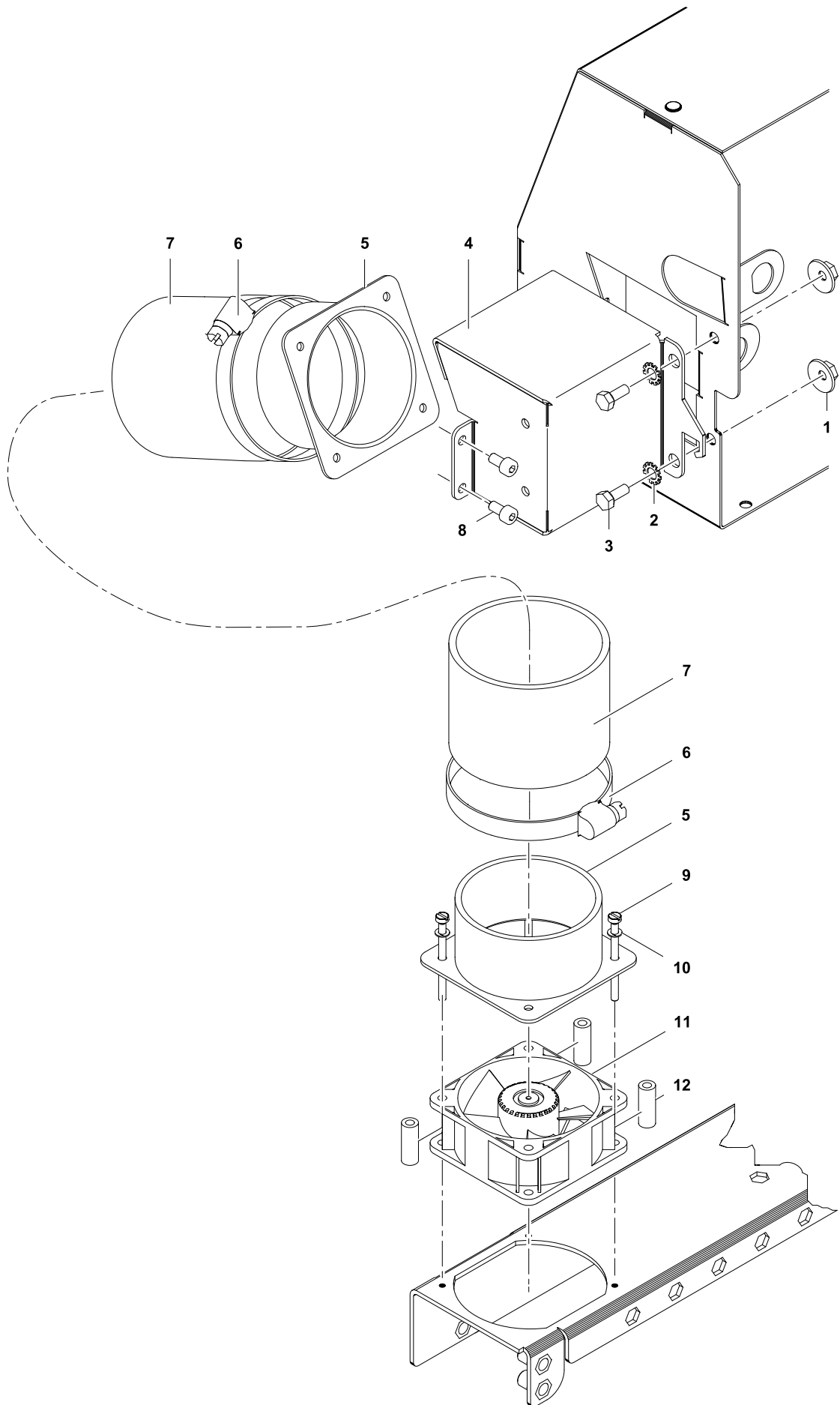


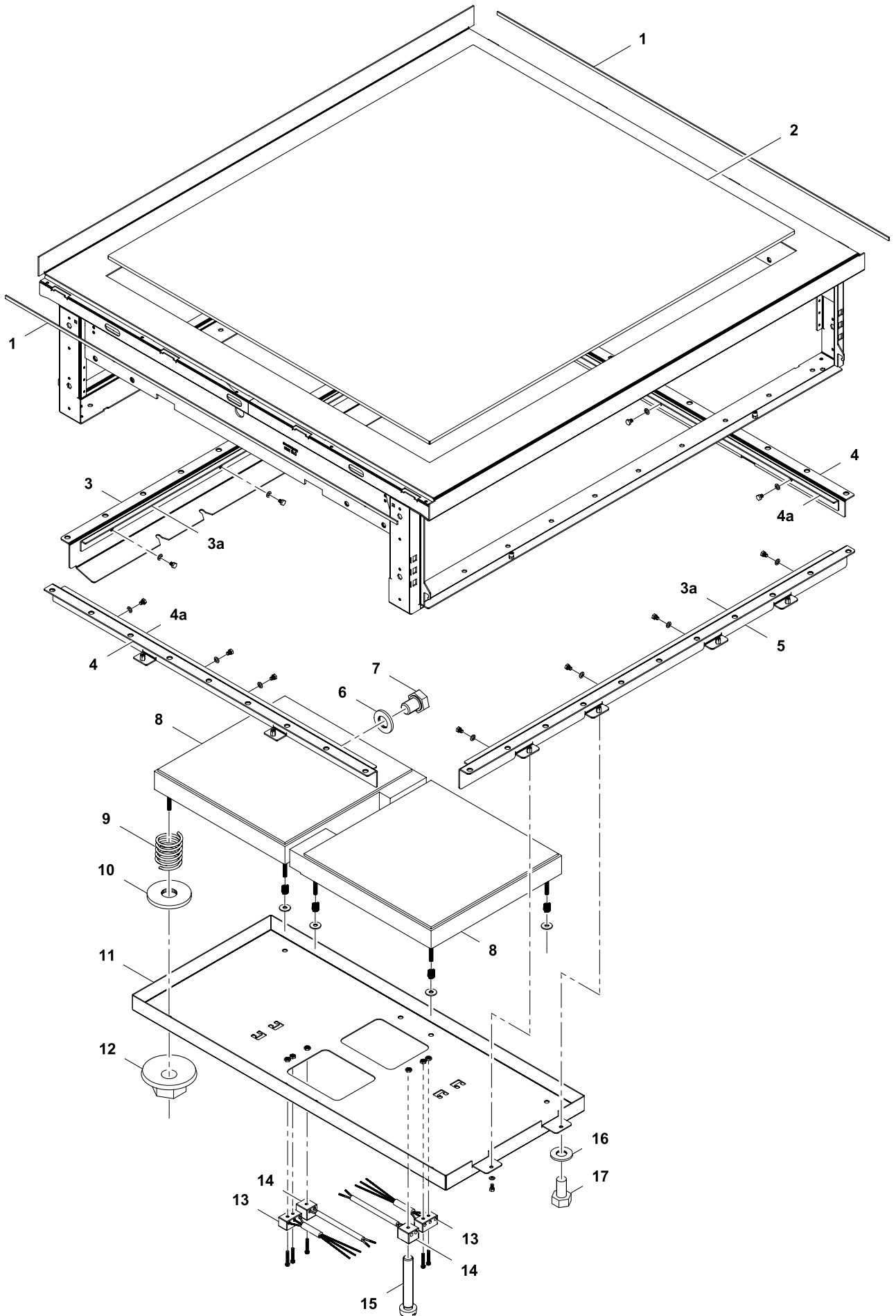
1	Alias	Code	Bezeichnung	Description	Ref.	Valid from Serial N°
1	82.3004.01	OG7448	Halterung Ventilationsbox L100	Support for ventilation box L100		
2	82.3001	*	Standard Ventilationsbox links	Ventilation box left		
	82.3002	OG7450	Standard Ventilationsbox rechts	Ventilation box right		
3	82.7550.01	OG7868	Rohrstutzen gerade	Pipe socket straight		
4	82.3054	*	Elektrobox 800	Electronical compartment 800	4 Zones	
	82.3013	*	Elektrobox 400	Electronical compartment 400	2 Zones	
5	82.9030	OG6075	DC Power Supply 12VDC	DC Power Supply 12VDC	D800/900	
6	712 044961.17	OKT854	Kabeltülle Ø25/Ø31/Ø35x10	Cable: sleeve Ø25/Ø31/Ø35x10		all types
7	82.7093	056582	Sicherungshalter	Fuse holder	D800/900	
8	712 344362.01	OG5814	Sicherung 5x20 1A	Fuse 5x20 1A	D800/900	
9	82.3008.02	*	Halterung Ventilationsbox L200	Support for ventilation box L200		
	82.3008.12	*	Halterung Ventilationsbox L200 gegengleich	Support for ventilation box L200 mirrored		
	82.3008.05	*	Halterung Ventilationsbox L50	Support for ventilation box L50	D850	
10	82.9074	OG6315	Schalter off-lin3/4 + Regler 680°C +10K Pot	Switch off-lin3/4 + control 680°C +10K Pot	D800/900	
	75.0005	OK5067	Schalter off-lin3/4 + Regler 680°C	Switch off-lin3/4 + control 680°C	D850	
11	82.9115.03	OG6304	Eurotas Display Infrarot	Eurotas Display Infrarot	D800/900	
	72.5938.04	OKI362	Anzeigelampe grün Ø10mm	Indicator light green Ø10mm	D850	
	72.5938.08	OKI364	Einsteckfassung grün/gelb Ø10mm	Lamp holder, green/yellow, Ø10mm	D850	
12	76.3011.01	OG3093	Distanzhalter 8mm	Spacer 8mm	D800/900	
13	82.1049.85	*	Bedienblende INOX Infrarot 800 4 Zonen	Control panel INOX Infrared 800 4 Zones	f	
	82.1027.76	*	Bedienblende Infrarot 800 2 Zonen	Control panel Infrared 800 2 Zones	d	
	82.1027.77	*	Bedienblende Infrarot 800 4 Zonen	Control panel Infrared 800 4 Zones	c	
	82.1027.79	*	Bedienblende Infrarot 1000 4 Zonen	Control panel Infrared 1000 4 Zones	i	
	82.1027.78	*	Bedienblende Infrarot 1000 2 Zonen	Control panel Infrared 1000 2 Zones	k	
	82.1000.05	*	Blende Top 800 Rückseite	Back panel 800	c	
	82.1000.07	OG7445	Blende Top 1000 Rückseite	Back panel 1000	i	
	82.1049.83	*	Bedienblende INOX Infrarot 400 2 Zonen	Control panel INOX Infrared 400 2 Zones	e	
	82.1027.72	*	Bedienblende Infrarot 400 1 Zone	Control panel Infrared 400 1 Zone	b	
	82.1027.73	*	Bedienblende Infrarot 400 2 Zonen	Control panel Infrared 400 2 Zones	a	
	82.1027.74	*	Bedienblende Infrarot 500 1 Zone	Control panel Infrared 500 1 Zone	h	
	82.1027.75	*	Bedienblende Infrarot 500 2 Zonen	Control panel Infrared 500 2 Zones	g	
	82.1000.01	*	Blende Top 400 Rückseite	Back panel 400	a	
	82.1000.02	*	Blende Top 500 Rückseite	Back panel 500	g	
14	82.7009	OG6247	Dichtung Drehgriff	Sealing for handle	all types	
15	82.9124.05	OG6373	Drehgriff mit Adapter 180°x6.0	Handle with adapter 0°x6.0	all types	
16	82.3051	OG7430	Main terminal	Main terminal	all 4-Zones	
17	82.3052	*	Klemmenträger	Terminal support	all 4-Zones	
18	75.2011.03	OKX291	Schutzleiterklemme 16mm²	Ground conductor terminal 16mm²	all 4-Zones	
19	75.2010.40	OKI280	Reihenklemme 16mm² grau	Terminal block 16mm² grey	all 4-Zones	
20	75.2010.41	OG3488	Nullleiterklemme 16mm² blau	Neutral wire terminal 16mm² blue	all 4-Zones	
21	75.2010.44	OKT731	Querverbinder	Cross connection	all 4-Zones	
22	82.9065	OG6668	Klemme FV122 V/V	Terminal FV122 V/V	all 2-Zones	
	82.9101	OG7023	Kabel: Klemme FV122 V/V Erdungsbolzen	Cable: terminal FV122 V/V ground bolt	all 2-Zones	
23	82.9103	OG6424	Kabel: Haupterdraht L400 6mm²	Cable: Main earthing L400 6mm²	all types	
24	82.7159	OG6274	Ventilator 60x60x25 622HH (3.5W)	Cooling fan 60x60x25 622HH (3.5W)	a b	
	82.7537	OG7488	Ventilator 60x60x25 PWM	Cooling fan 60x60x25 PWM	a b	5361...
25	82.3009	*	Halteblech Ventilator	Cooling fan support	a b	
26	1 701 1083	OG5755	Zylinderkopfschraube M3x30	Socket cap screw M3x30	a b	
27	82.9062	OG6231	Temperaturthermostat 50 (Klickson)	Temperature thermostat 50 (Klickson)		6111...
28	82.2682	OG7282	Blech Klickson	Sheet metal for Klickson		6111...
	82.9072	OG7418	Kabel: X0 - F - Schalter - Trafo	Cable: X0 - F - Switch - Trafo	D800/900	
	82.9551		Kabel: X0 - F - Schalter - Trafo - Clickson	Cable: X0 - F - Switch - Trafo - Clickson	D800/900	6261...
	82.9116	OG7366	Kabel: Trafo T1 - Trafo T2	Cable: Trafo T1 - Trafo T2	k	
	82.9002	OG6897	Kabel: Display - Display	Cable: Display - Display	a c d g h i k	
	82.9021	OCA121	Kabel: Display - Display L2800	Cable: Display - Display L2800	b	
	82.9096	OG7419	Kabel: Potentiom.- Display (crossover) L200	Cable: Potent - Display (crossover) L200	D800/900	
	82.9110	OG7172	Kabel: Trafo - Display L450	Cable: Trafo - Display L450	D800/900	
	82.9011	OG7365	Kabel: Trafo - Display - Ventilator	Cable: Trafo - Display - Ventilator	D800/900	
	82.9241	OG7420	Kabel: Display - Ventilator	Cable: Display - Ventialtor	D800/900	5361...
	82.9075	OG7421	Kabel: Anzeigelampen - Regler	Cable: Indicator - Control	D850	
	72.4861.03	OT2429	Verdrahtung komplett	Wiring harness	4 Zones	
	72.4861.01	OG7422	Verdrahtung komplett	Wiring harness	2 Zones	
	82.9073.01	OG7423	Kabel: Regler S1 - Regler S2 kurz	Cable: Switch S1 - Switch S2 kurz	a c d k i	
	82.9073.02	OG7424	Kabel: Regler S2 - Regler S3 kurz	Cable: Switch S2 - Switch S3 kurz	c i	
	82.9073.03	OG7425	Kabel: Regler S3 - Regler S4 kurz	Cable: Switch S3 - Switch S4 kurz	d k	
	82.9073.04	OG7426	Kabel: Regler S1 - Regler S2 lang	Cable: Switch S1 - Switch S2 lang	b h	
	82.9073.05	OG7427	Kabel: Regler S2 - Regler S3 lang	Cable: Switch S2 - Switch S3 lang	d k	
	82.9245	OG7875	Kabel: Trafo - Klickson - Ventilator	Cable: Transformer - Klickson - Ventilator	e f	6111...
	82.9248		Kabel: Klickson - Regler	Cabler: Klickson - Regulator	b d h k	6111...
	82.9249		Kabel: Infrared cookers S1+S2	Cable: Infrared cookers S1+S2		
	82.9250		Kabel: Infrared cookers S3+S4	Cable: Infrared cookers S3+S4	c d f i k	

* Components on demand
* Teile auf Anfrage

Doc. № 82.8140.03

Page: 3





3	Alias	Code	Bezeichnung	Description	Ref.	Valid from Serial N°
1	82.7464	0C2496	Dichtband (Schaumstoff-Silikon, mlebend)	Sealing strip	all types	
2	82.7066	0G6332	Glaskeramikplatte 320x660	Ceramic glass plate 320x660	a b d e	
	82.7068	0G6333	Glaskeramikplatte 340x740	Ceramic glass plate 340x740	g h	
	82.7069	0G6334	Glaskeramikplatte 660x660	Ceramic glass plate 660x660	c d f	
	83.7070	0G6335	Glaskeramikplatte 840x740	Ceramic glass plate 840x740	i k	
	1 201 1444	0K5103	Silikonplättchen	Silicon plate	all types	
	1 201 1792		Novasil Kleber	Glue Novasil	all types	
3	82.0712.XX	*	Auflage hinten FMM	Support backside FMM	-----	
3a	82.0715.XX	*	Querträger verstellbar	Cross beam	-----	
4	82.0713.XX	*	Befestigung seitlich	Support sides	-----	
4a	82.0714.XX	*	Längsträger verstellbar	Longitudinal beam	-----	
5	82.0711.XX	*	Aufhängung vorn FMM	Support frontside FMM	-----	
6	1 701 3535	0G3588	Unterlegscheibe M5	Washer M5	all types	
7	1 701 2623	0T1776	Sechskantschraube M5x6	Hex bolt M5x6	all types	
8	72.9641.01	0K4861	Heizung 400V/3N-	Heating elem. 400V/3N-	all types	
	72.9284.01	0K4860	Heizung 400V/3N- mit Topferkennung	Heating elem. 400V/3N-with pot detect	pot detection	
9	75.9005	0K5100	Druckfeder	Compression spring	all types	
10	1 701 3545	0K1298	Unterlegscheibe ø6,4 x Ø 18 x 1,6	Washer ø6,4 x Ø 18 x 1,6	all types	
11	82.2633.01	*	Stützblech Heizung	Support frame	D800/850	
	82.2633.02	*	Stützblech Heizung	Support frame	D900	
12	712 044120.04	0G4918	Kep-Mutter M4	Keps nut M4	all types	
13	62.1660.02	0G7428	Kabelverlängerung	Cable extension	all types	
14	62.1660.01	0G7429	Kabelverlängerung Topferkennung	Cable extension pot detection	pot detection	
15	1 701 2084	0G3586	Zylinderkopfschraube M4x25	Allen screw M4x25	all types	
16	1 701 3502	0G3595	Unterlegscheibe ø4,3 x Ø 9 x 0,8	Washer ø4,3 x Ø 9 x 0,8	all types	
17	1 701 2503	0G5490	Sechskantschraube M4x8	Hex bolt M4x8	all types	

* Components on demand
* Teile auf Anfrage