

DE SPÜLBECKEN
EN SINK UNITS

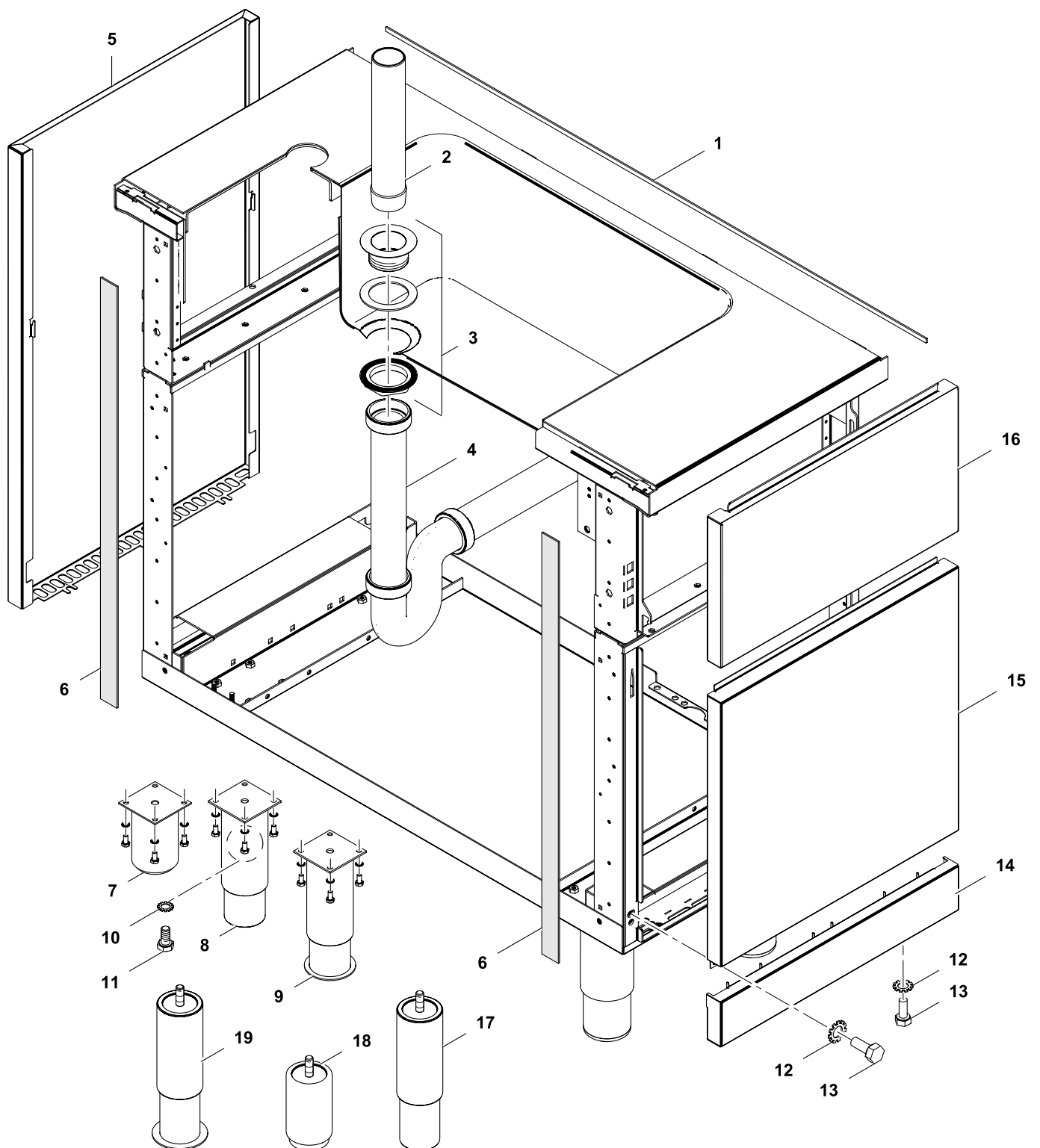
| PNC | Factory Model | Ref. | Description |
|------------|----------------------|-------------|----------------------------------|
| 588213 | MAZAGAD300 | a | SINK UNIT, 400X800X700H |
| 588214 | MAZAGBD300 | a | SINK UNIT, C-BOARD, 400X800X700H |
| 588299 | MAZAHAD300 | b | SINK UNIT, 400X800X800H |
| 588300 | MAZAHBD300 | b | SINK UNIT, C-BOARD, 400X800X800H |
| 588635 | MBZAGBD300 | c | SINK UNIT, C-BOARD, 400X850X700H |
| 589308 | MCZAGAD300 | d | SINK UNIT, 400X900X700H |
| 589309 | MCZAGBD300 | d | SINK UNIT, C-BOARD, 400X900X700H |
| 589465 | MCZAHAD300 | e | SINK UNIT, 400X900X800H |
| 589466 | MCZAHBD300 | e | SINK UNIT, C-BOARD, 400X900X800H |

| Page | Index |
|-------------|----------------|
| 2 | Full appliance |
| 4 | Mixer tap |

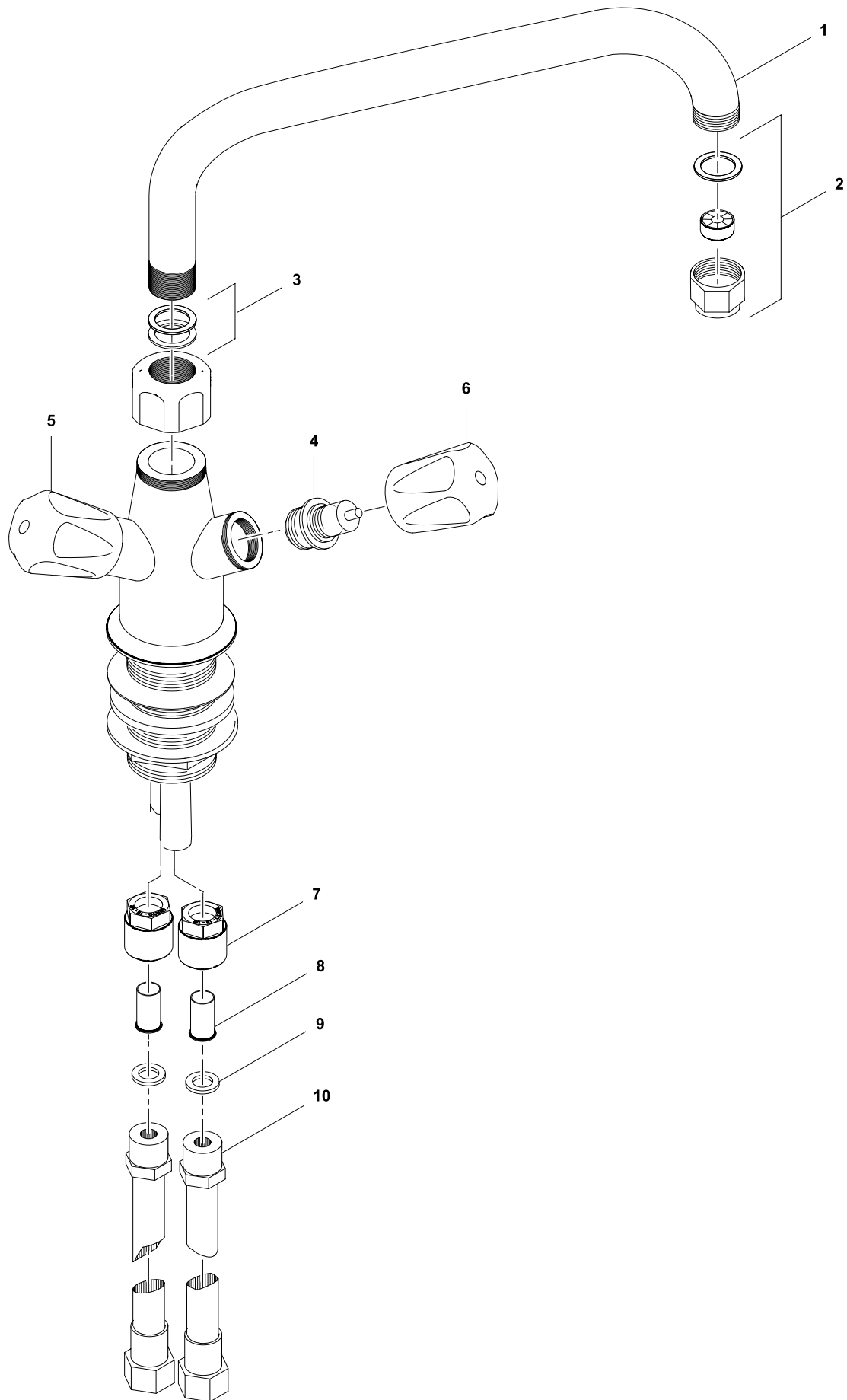
| Last Updates |
|---------------------|
| Ed. 12/2015 |
| Ed. 01/2017 |
| Ed. 04/2017 |

| Page |
|-------------|
| all |
| 2/3 |
| 2 |

Valid from Ser. № 3101....



| 1 | Alias | Code | Bezeichnung | Description | Ref. | Valid from Serial N° |
|----|------------|--------|--|-------------------------------------|-----------------|----------------------|
| 1 | 82.7464 | 0C2496 | Dichtband (Schaumstoff-Silikon, mlebend) | Sealing strip | all types | |
| 2 | 82.7484 | 0C9489 | Überlauf | Overflow pipe | all types | |
| 3 | 82.7481 | 069654 | Abfluss | Drain | all types | |
| 4 | 82.7483 | 0C9488 | Siphon mit flexiblem Abfluss | Siphon with flexible drain pipe | all types | |
| 5 | 82.1102.03 | 0G7284 | Rückwand 400x700 ohne Aufkantung | Back panel 400x700 without C-board | all H700/ no CB | |
| | 82.1102.23 | 0G7468 | Rückwand 400x800 ohne Aufkantung | Back panel 400x800 without C-board | all H800/ no CB | |
| 6 | 82.7467 | 0C7307 | Dichtung 5mm | Sealing sides 5mm | all types | 5101... |
| 7 | 86.2385 | 0G6140 | Stellfuß 2" 100mm | Adjustable feet 2" 100mm | all H800 | |
| 8 | 86.0001 | 0G5391 | Stellfuß 2" 145-252mm rund | Adjustable feet 2" 145-252mm, round | all H700 | |
| 9 | 83.3728 | 0G6886 | Stellfuß 2" Marine 145-252mm | Adjustable feet 2" Marine 145-252mm | Marine | |
| 10 | 1 701 5051 | 0G6753 | Fächerscheibe M6 | Fan washer M6 | all types | |
| 11 | 1 701 2600 | 0KT919 | Sechskantschraube M6x12 | Hex bolt M6x12 | all types | |
| 12 | 1 701 7002 | 0G2923 | Fächerscheibe M5 | Fan washer M5 | all types | |
| 13 | 1 701 2579 | 0G4020 | Sechskantschraube M5x16 | Hex bolt M5x16 | all types | |
| 14 | 82.1140.04 | 0G7122 | Anschlussdeckel H66/B400 | Bottom Panel H66/B400 | all H700 | |
| | 82.1140.24 | 0G7469 | Anschlussdeckel H166/B400 | Bottom Panel H166/B400 | all H800 | |
| 15 | 82.1031.04 | * | Blende Unterbau | Base panel | all types | |
| 16 | 82.1000.01 | * | Blende Top | Top panel | all types | |
| 17 | 82.0350.01 | | Fuss M10 200mm | Foot M10 200mm | all H700 | 7141... |
| 18 | 82.0350.02 | | Fuss M10 100mm | Foot M10 100mm | all H800 | 7141... |
| 19 | 82.0350.03 | | Fuss M10 200mm Marine | Foot M10 200mm Marine | Marine | 7141... |



| 5 | Alias | Code | Bezeichnung | Description | Ref. | Valid from Serial N° |
|----------|---------------|-------------|--------------------------------------|----------------------------------|-------------|-----------------------------|
| 1 | 1 105 1257 | 0G2974 | Kit Mischbatterie Klarco (Pos. 1-6) | Kit Mixer tap Klarco (pos. 1-6) | all types | |
| | 62.6223.07 | 0S0959 | Schwenkauslauf 3/4", 300x450mm | Swivel spout 3/4", 300x450mm | all types | |
| 2 | 62.6223.01 | 0S1471 | Auslauf ohne Dripstop | Spout without drip stop | all types | |
| | 1 105 1265 | 0G5273 | Tropfschutz (nicht in Kit enthalten) | Drip stop (not included in kit) | all types | |
| 3 | 62.6223.02 | 0L0736 | Dichtungsringe | Sealing rings | all types | |
| 4 | 62.6223.03 | 0L0450 | Ventileinsatz | Valve insert | all types | |
| 5 | 62.6223.04 | 0L1041 | Griff Heißwasser | Knob hot water | all types | |
| 6 | 62.6223.05 | 0L1040 | Griff Kaltwasser | Knob cold water | all types | |
| 7 | 1 101 2075 | 0KX119 | Anschluss G1/2" | Connection G1/2" | all types | |
| 8 | 1 101 3797 | 0KE129 | Stützhülse Ø15 | Sleeve Ø15 | all types | |
| 9 | 712 044481.21 | 0G3610 | Dichtung Ø18/11 | Sealing Ø18/11 | all types | |
| 10 | 712 344893.02 | 0K5363 | Panzerschlauch L1100 G1/2" / R1/2" | Armored hose L1100 G1/2" / R1/2" | all types | |
| | 82.6628 | 0G7139 | Mischbatterie mit Hebel Klarco | Mixer tap with lever Klarco | | |
| | 1 201 1813 | 0G3817 | Kleber LOCTIE 577 | Glue LOCTITE 577 | all types | |

* Components on demand
* Teile auf Anfrage