

DE MISCHBATTERIE-ELEMENT
EN MIXER TAP UNIT

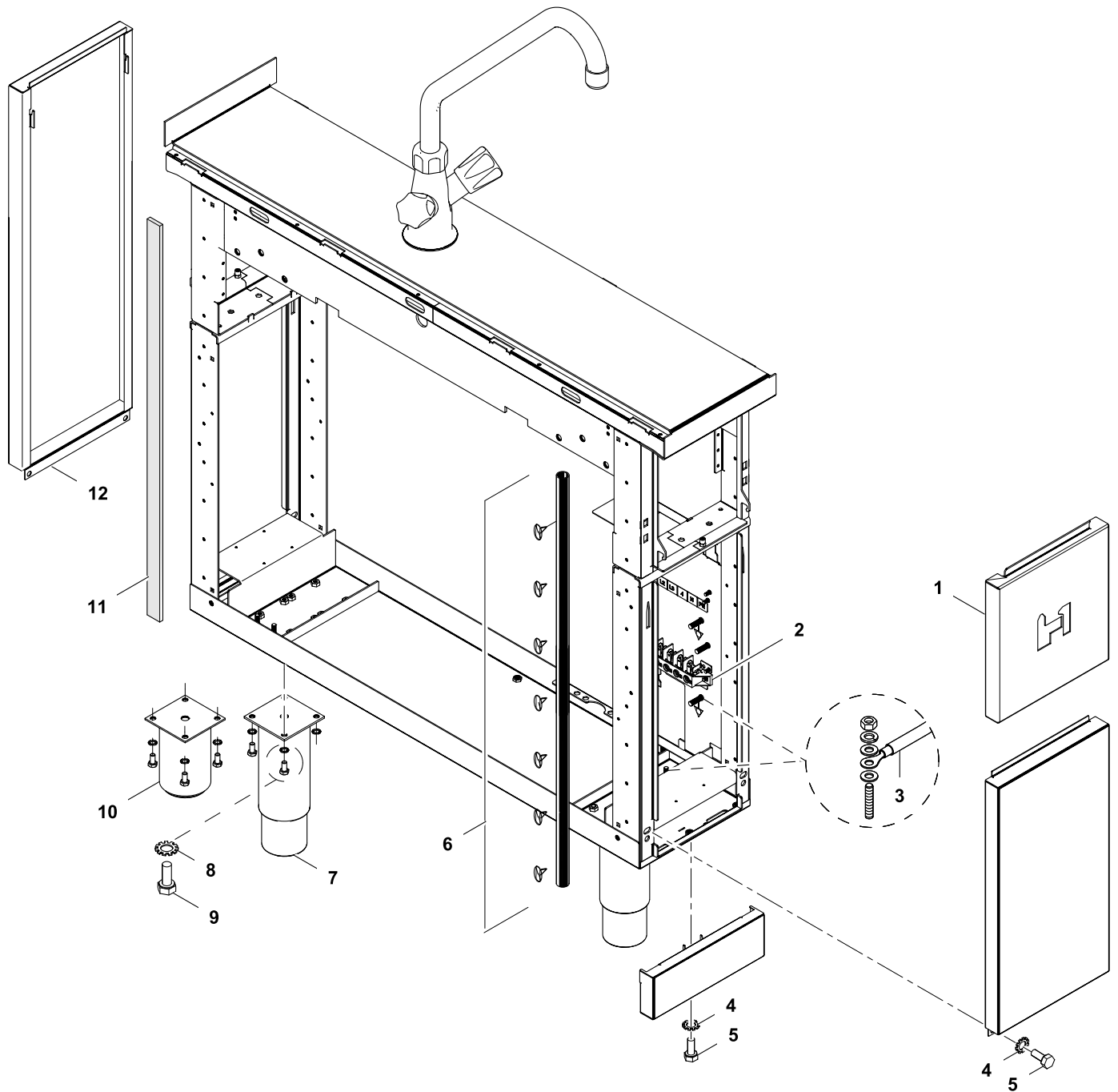
| PNC | Factory Model | Ref. | Description |
|--------|---------------|------|---|
| 588386 | MAEAGAB300 | a | MIXER TAP, LEVER, 200X800X700 |
| 588387 | MAEAGBB300 | a | MIXER TAP, LEVER, C-BOARD, 200X800X700 |
| 588388 | MAEBGAB300 | b | MIXER TAP, KNOBS, 200X800X700 |
| 588389 | MAEBGBB300 | b | MIXER TAP, KNOBS, C-BOARD, 200X800X700 |
| 588390 | MAEAHAB300 | c | MIXER TAP, LEVER, 200X800X800 |
| 588391 | MAEAHBB300 | c | MIXER TAP, LEVER, C-BOARD, 200X800X800 |
| 588392 | MAEBHAB300 | d | MIXER TAP, KNOBS, 200X800X800 |
| 588393 | MAEBHBB300 | d | MIXER TAP, KNOBS, C-BOARD, 200X800X800 |
| 588172 | MAMAGAB3BO | e | MIXER TAP, AUTOM. WATER FILLING, 200X800X700H |
| 588173 | MAMAGBB3BO | e | MIXER TAP, AUTOM. WATER FILLING, C-BOARD, 200X800X700 |
| 588266 | MAMAHAB3BO | f | MIXER TAP, AUTOM. WATER FILLING, 200X800X800H |
| 588267 | MAMAHBB3BO | f | MIXER TAP, AUTOM. WATER FILLING, C-BOARD, 200X800X800 |
| 588558 | MBEAGBB300 | g | MIXER TAP, LEVER, C-BOARD, 200X850X700 |
| 588559 | MBEBGBB300 | h | MIXER TAP, KNOBS, C-BOARD, 200X850X700 |
| 588597 | MBMAGBB3BO | i | MIXER TAP, AUTOM. WATER FILLING, C-BOARD, 200X850X700 |
| 589591 | MCEAGAB300 | k | MIXER TAP, LEVER, 200X900X700 |
| 589592 | MCEAGBB300 | k | MIXER TAP, LEVER, C-BOARD, 200X900X700 |
| 589593 | MCEBGAB300 | l | MIXER TAP, KNOBS, 200X900X700 |
| 589594 | MCEBGBB300 | l | MIXER TAP, KNOBS, C-BOARD, 200X900X700 |
| 589595 | MCEAHAB300 | m | MIXER TAP, LEVER, 200X900X800 |
| 589596 | MCEAHBB300 | m | MIXER TAP, LEVER, C-BOARD, 200X900X800 |
| 589597 | MCEBHAB300 | n | MIXER TAP, KNOBS, 200X900X800 |
| 589598 | MCEBHBB300 | n | MIXER TAP, KNOBS, C-BOARD, 200X900X800 |
| 589221 | MCMAGAB3BO | o | MIXER TAP, AUTOM. WATER FILLING, 200X900X700H |
| 589222 | MCMAGBB3BO | o | MIXER TAP, AUTOM. WATER FILLING, C-BOARD, 200X900X700 |
| 589390 | MCMAHAB3BO | p | MIXER TAP, AUTOM. WATER FILLING, 200X900X800H |
| 589391 | MCMAHBB3BO | p | MIXER TAP, AUTOM. WATER FILLING, C-BOARD, 200X900X800 |

| Page | Index |
|------|-------------------------|
| 2 | Full appliance |
| 4 | Mixer tap |
| 6 | Automatic water filling |

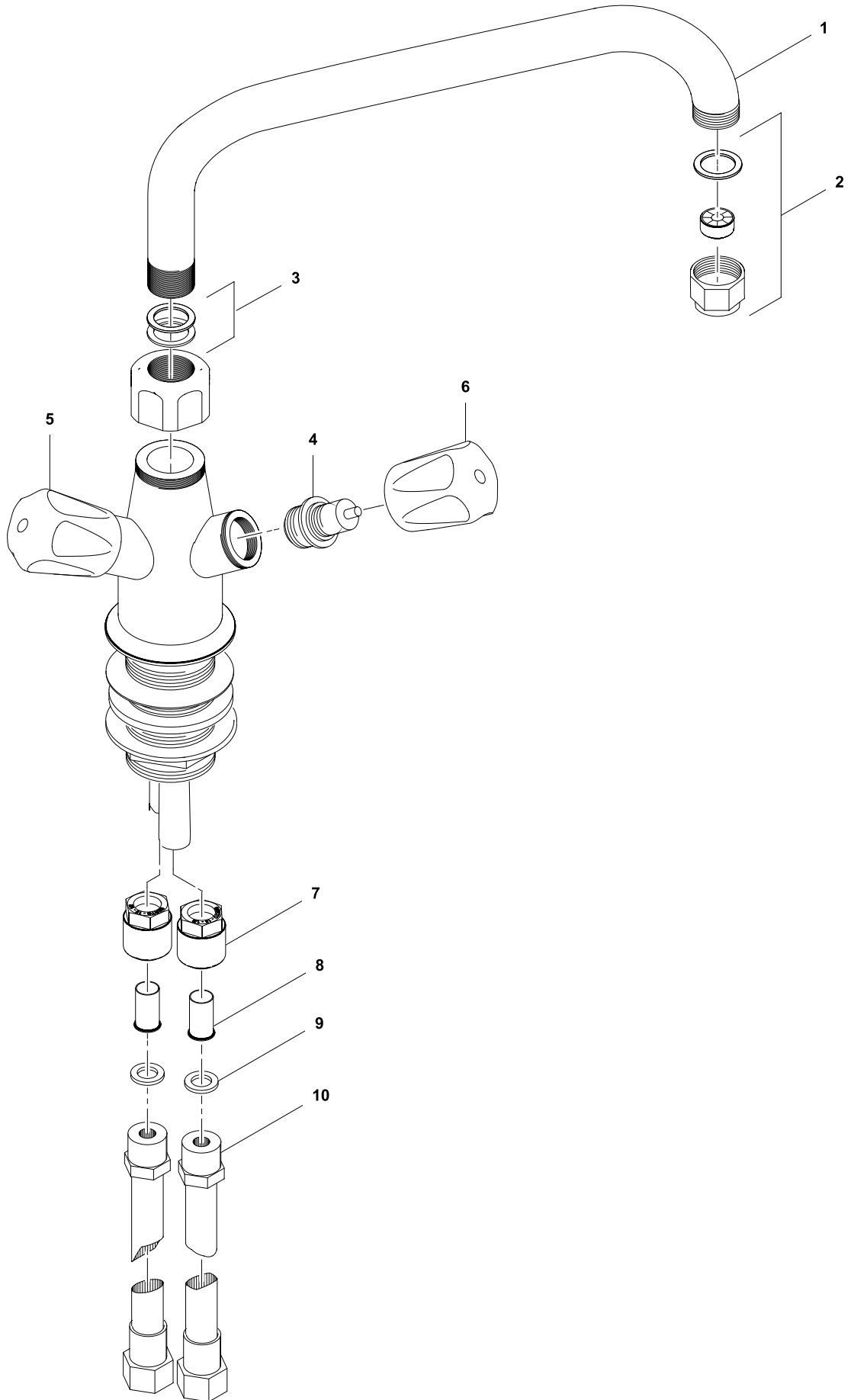
Last Updates
Ed. 12/2015

Page
all

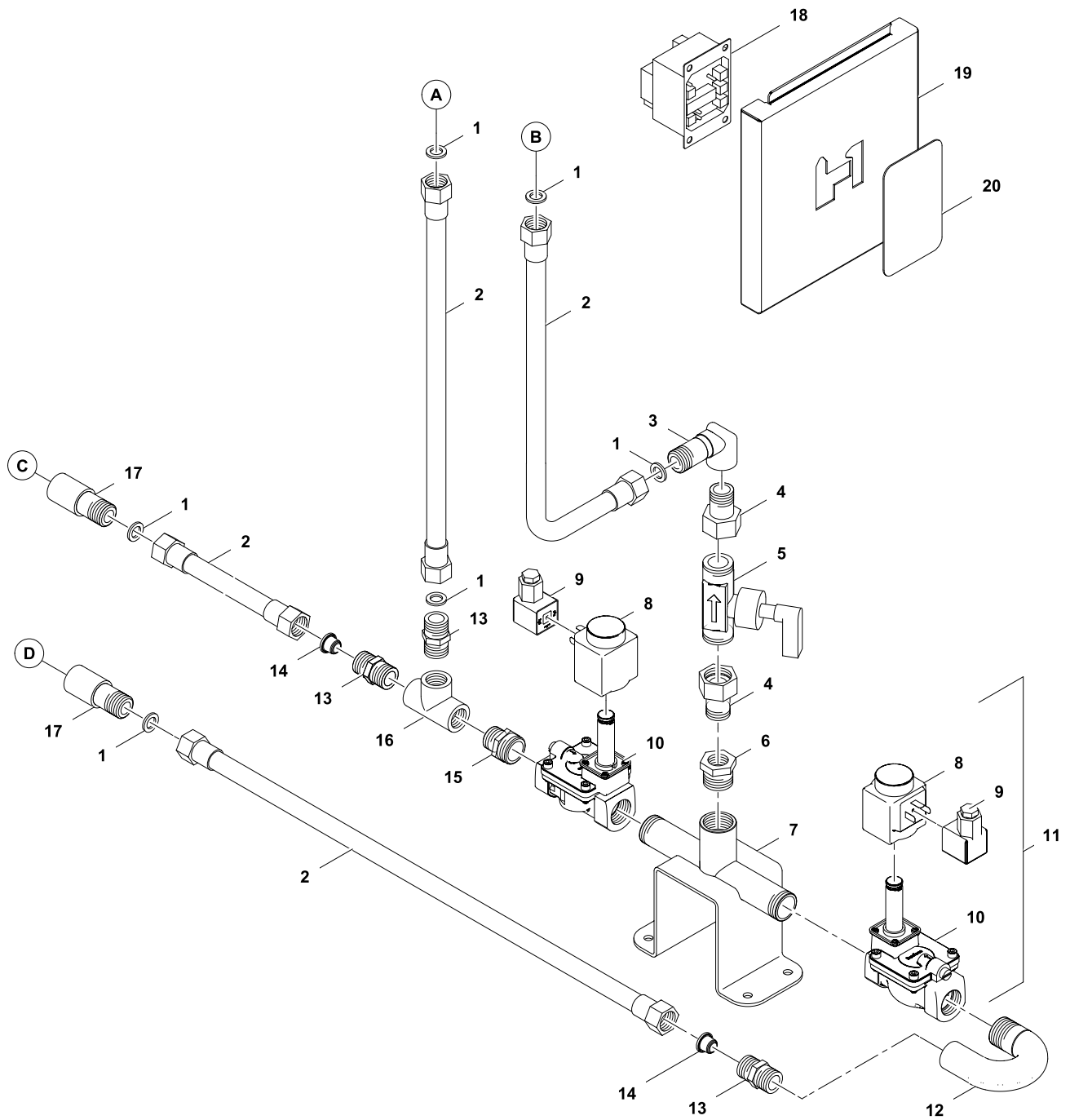
Valid from Ser. № 3101....



| 1 | Alias | Code | Bezeichnung | Description | Ref. | Valid from Serial N° |
|----|------------|--------|---|--|-----------|----------------------|
| 1 | 82.1000.11 | 0G7762 | Blende Top | Panel | no WFA | |
| | 82.1122 | * | Blende Top für WFA | Panel for waterfill automation | e f i o p | |
| 2 | 82.9065 | 0G6668 | Klemme FV122 V/V | Terminal FV122 V/V | e f i o p | |
| 3 | 82.9101 | 0G7023 | Kabel: Klemme - Erdungsbolzen | Cable: Terminal - ground bolt | e f i o p | |
| | 82.9103 | 0G6424 | Kabel: Haupterdraht L400 6mm ² | Cable: main earthing L400 6mm ² | e f i o p | |
| 4 | 1 701 7002 | 0G2923 | Fächerscheibe M5 | Fan washer M5 | all types | |
| 5 | 1 701 2579 | 0G4020 | Sechskantschraube M5x16 | Hex bolt M5x16 | all types | |
| 6 | 82.7334 | 0G6396 | Dichtung Geräte seitwärts (NM) | Side-sealing strip | all types | |
| 7 | 86.0001 | 0G5391 | Stellfuß 2" 145-252mm rund | Adjustable feet 2" 145-252mm, round | all H700 | |
| 8 | 1 701 5051 | 0G6753 | Fächerscheibe M6 | Fan washer M6 | all types | |
| 9 | 1 701 2600 | 0KT919 | Sechskantschraube M6x12 | Hex bolt M6x12 | all types | |
| 10 | 86.2385 | 0G6140 | Stellfuß 2" 100mm | Adjustable feet 2" 100mm | all H800 | |
| 11 | 82.7467 | 0C7307 | Dichtung 5mm | Sealing sides 5mm | all types | 5101 |
| 12 | 82.1102.01 | * | Rückwand 200x700 | Back panel 200x700 | all H700 | |
| | 82.1102.21 | * | Rückwand 200x800 | Back panel 200x800 | all H800 | |



| 5 | Alias | Code | Bezeichnung | Description | Ref. | Valid from Serial N° |
|----|---------------|--------|--------------------------------------|----------------------------------|---------------------|----------------------|
| | 1 105 1257 | 0G2974 | Kit Mischbatterie Klarco (Pos. 1-6) | Kit Mixer tap Klarco (pos. 1-6) | b d e f h i l n o p | |
| 1 | 62.6223.07 | 0S0959 | Schwenkauslauf 3/4", 300x450mm | Swivel spout 3/4", 300x450mm | | |
| 2 | 62.6223.01 | 0S1471 | Auslauf ohne Dripstop | Spout without drip stop | | |
| | 1 105 1265 | 0G5273 | Tropfschutz (nicht in Kit enthalten) | Drip stop (not included in kit) | | |
| 3 | 62.6223.02 | 0L0736 | Dichtungsringe | Sealing rings | | |
| 4 | 62.6223.03 | 0L0450 | Ventileinsatz | Valve insert | | |
| 5 | 62.6223.04 | 0L1041 | Griff Heißwasser | Knob hot water | b d e f h i l n o p | |
| 6 | 62.6223.05 | 0L1040 | Griff Kaltwasser | Knob cold water | b d e f h i l n o p | |
| 7 | 1 101 2075 | 0KX119 | Anschluss G1/2" | Connection G1/2" | all types | |
| 8 | 1 101 3797 | 0KE129 | Stützhülse Ø15 | Sleeve Ø15 | all types | |
| 9 | 712 044481.21 | 0G3610 | Dichtung Ø18/11 | Sealing Ø18/11 | all types | |
| 10 | 712 344893.02 | 0K5363 | Panzerschlauch L1100 G1/2" / R1/2" | Armored hose L1100 G1/2" / R1/2" | all types | |
| | 82.6628 | 0G7139 | Mischbatterie mit Hebel Klarco | Mixer tap with lever Klarco | a c g k m | |
| | 1 201 1813 | 0G3817 | Kleber LOCTIE 577 | Glue LOCTITE 577 | all types | |



| 5 | Alias | Code | Bezeichnung | Description | Ref. | Valid from Serial N° |
|----|---------------|--------|-----------------------------------|------------------------------------|-----------|----------------------|
| 1 | 712 044481.21 | 0G3610 | Flachdichtung Ø18x11x2 | Flat seal Ø18x11x2 | e f i o p | |
| 2 | 712 344893.04 | 0G7140 | Panzerschlauch für WFA L600 G1/2" | Armored hose for WFA L600 G1/2" | e f i o p | |
| 3 | 87.5164 | 0G7141 | Winkel zu WFA | Angle connection for WFA | e f i o p | |
| 4 | 1 101 3923 | 0G7142 | Rohrverschraubung 9201 1/2"x3/4" | Screw fitting 9201 1/2"x3/4" | e f i o p | |
| 5 | 76.9668.97 | 0G3702 | Durchflussmesser WFA | Flow meter WFA | e f i o p | |
| 6 | 75.7004.24 | 0G4739 | Übergangsstück A3/4" - 11/2" | Fitting A3/4" - 11/2" | e f i o p | |
| 7 | 82.6011 | 0G7143 | Verteilerrohr-Support | Pipe support | e f i o p | |
| 8 | 76.3511 | 0G5598 | Spule | Coil | e f i o p | |
| 9 | 76.4935 | 0K4978 | Stecker Magnetventil | Plug for magnetic valve 3-pin | e f i o p | |
| 10 | 76.3510 | 0G5597 | 2/2 Wegeventil | Magnetic valve | e f i o p | |
| 11 | 76.3405 | 0G4526 | 2/2 Wegeventil 3/4" komplett | Magnetic valve complete | e f i o p | |
| 12 | 76.3612 | 0G7144 | Leitung KW | Pipe cold water | e f i o p | |
| 13 | 1 116 1166 | 0G5518 | Sechskantnippel | hex nipple | e f i o p | |
| 14 | 1 701 2827 | 0G6842 | Hutfilter 1/2-50/20 H12 | Filter insert 1/2-50/20 H12 | e f i o p | |
| 15 | 1 117 1182 | 0K4574 | Doppelnippel 1/2" / 3/4" | Double nipple 1/2" / 3/4" | e f i o p | |
| 16 | 1 102 2435 | 0G7145 | T-Stück G1/2" | Tee connection G1/2" | e f i o p | |
| 17 | 87.5168 | 0G6646 | WFA Adapter G1/2" | WFA adapter G1/2" | e f i o p | |
| A | | | Warmwasseranschluss MIBA | Hot water connection at mixer tap | | |
| B | | | Kaltwasseranschluss MIBA | Cold water connection at mixer tap | | |
| C | | | Zuleitung Warmwasser | Hot water inlet | | |
| D | | | Zuleitung Kaltwasser | Cold water inlet | | |
| 18 | 86.9164 | 0G5039 | Steuergerät | Control device | e f i o p | |
| 19 | 82.1122 | * | Blende Top für WFA | Panel for waterfill automation | e f i o p | |
| 20 | 86.9165 | 0G6722 | Bedienfolie | Foil | e f i o p | |
| | 76.9672.03 | 0G7146 | Kabel: X2/X2 WFA 2000mm | Cable: X2/X2 WFA 2000mm | e f i o p | |
| | 76.9671.03 | | Kabel: Y1/X2 WFA 2000mm | Cable: Y1/X2 WFA 2000mm | e f i o p | |

