

SPARE PARTS CATALOGUE

FLEXY DROP-IN COLD DISPLAY FUNCTIONS

Code	En. Ch.	Model	Type	Ref.	Brand	Page
341076	00	D19C2	Flexy Drop-In Cold Display, 2GN	a	Electrolux	3
341077	00	D19C3	Flexy Drop-In Cold Display, 3GN	b	Electrolux	3
341078	00	D19C4	Flexy Drop-In Cold Display, 4GN	c	Electrolux	3
341122	00	D19R2	Flexy Drop-In Remote, Cold Display, 2GN	d	Electrolux	2
341123	00	D19R3	Flexy Drop-In Remote, Cold Display, 3GN	e	Electrolux	2
341124	00	D19R4	Flexy Drop-In Remote, Cold Display, 4GN	f	Electrolux	2

Page

2,3

4,5

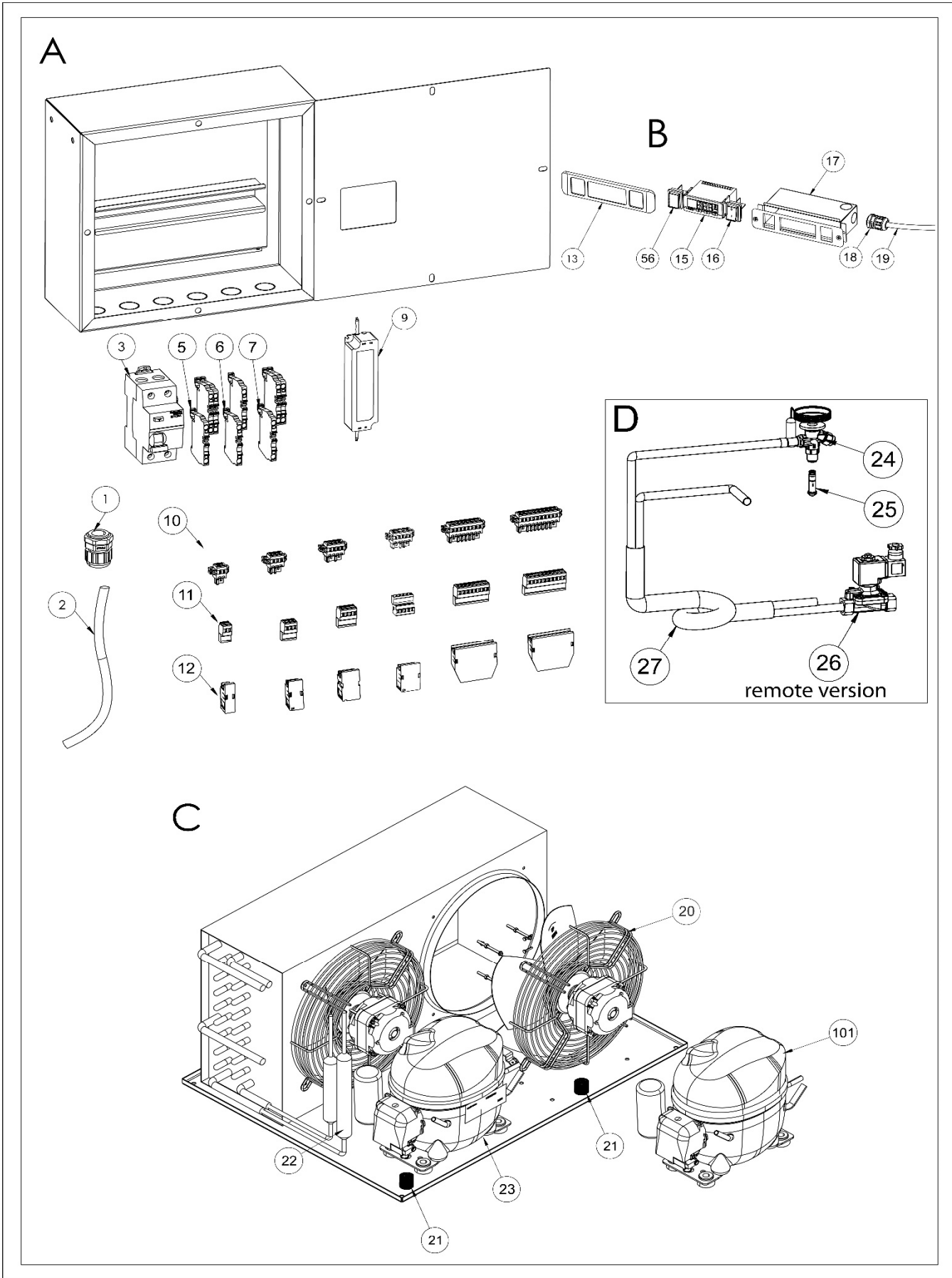
Brand: Electrolux

Country: All

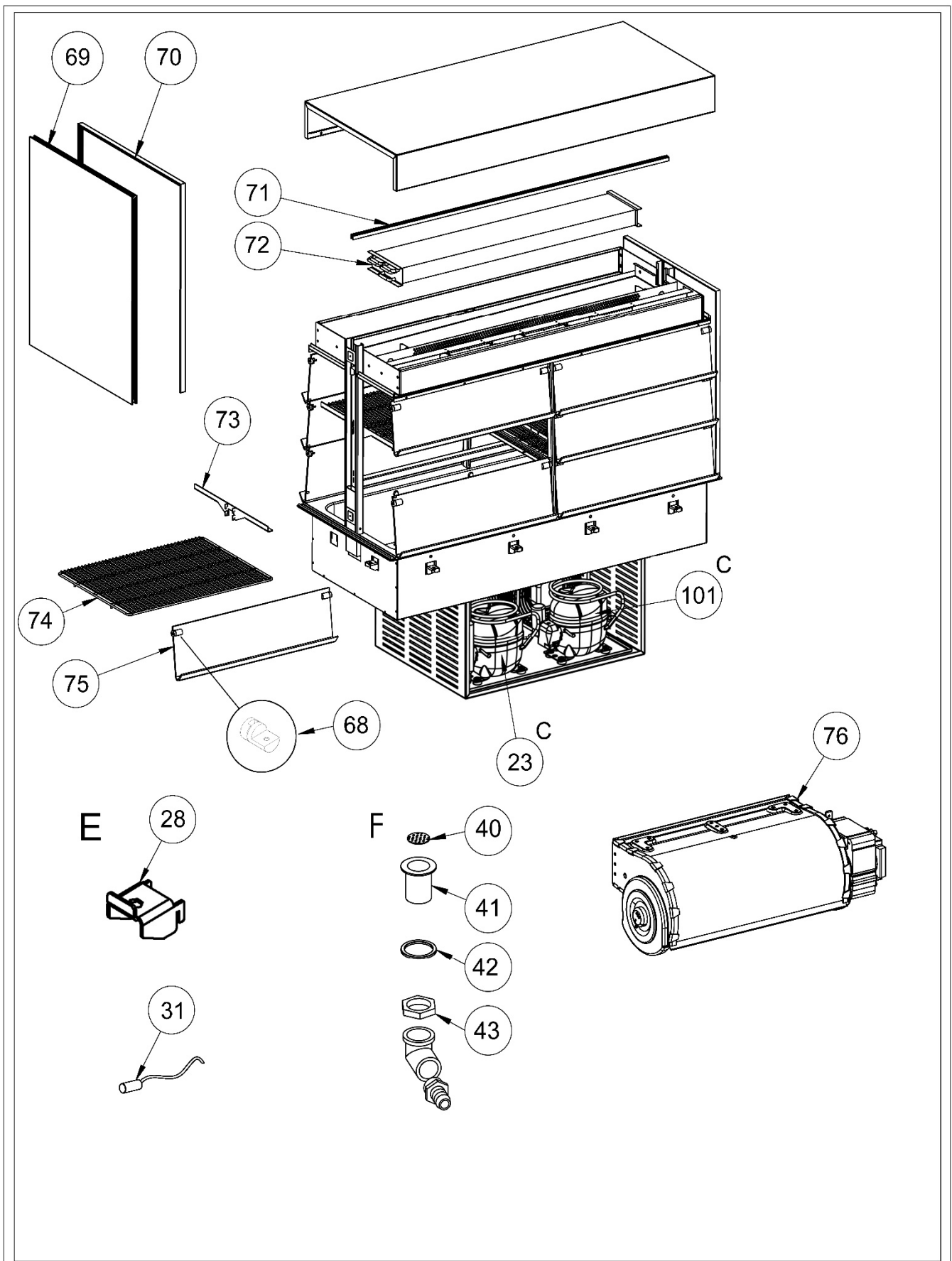
Index

Exploded View

Spare Parts Lists



Cold Display



PNC 341076	REF a	PNC 341077	REF b	PNC 341078	REF c	PNC 341122	REF d	PNC 341123	REF e	PNC 341124	REF f
---------------	----------	---------------	----------	---------------	----------	---------------	----------	---------------	----------	---------------	----------

POS	ALIAS CODE	CODE	AÇIKLAMA	DESCRIPTION	Ref./Notes	V (Vital spare part) W&T (Wear & Tear part) - (non)
A-1	0.205220101.12452	OPEE49	Rakor	Coupling		-
A-2	0.205071201.27672	OPEE09	Pano Güç Kablosu	Board Power Cable		-
A-3	0.205130101.27626	OPEE18	Kaçak Akım Rölesi 1PH	Leakage Current Relay 1PH		-
A-5	0.205080101.27487	OPEE11	Mavi Klemens	Blue Connector		-
A-6	0.205080101.27488	OPEE12	Gri Klemens	Grey Connector		-
A-7	0.205080101.27489	OPEE13	Yeşil Klemens	Green Connector		-
A-9	0.205200101.27640	OPEE46	Led Trafosu	Led Transformer		W&T
A-10	0.205150101.30591	OPEE31	2'li Dişli Pano Tipi Geçme Soket	2 Conductor Female Plug		-
	0.205150101.30588		3'lü Dişli Pano Tipi Geçme Soket	3 Conductor Female Plug		-
	0.205150101.31038	OPEE37	4'lü Dişli Pano Tipi Geçme Soket	4 Conductor Female Plug		-
	0.205150101.30576	OPEE19	12'li Dişli Pano Tipi Geçme Soket	12 Conductor Female Plug		-
A-11	0.205150101.30592	OPEE32	2'li Erkek Pano Tipi Geçme Soket	2 Conductor Male Plug		-
	0.205150101.30589		3'lü Erkek Pano Tipi Geçme Soket	3 Conductor Male Plug		-
	0.205150101.31039	OPEE38	4'lü Erkek Pano Tipi Geçme Soket	4 Conductor Male Plug		-
	0.205150101.30577	OPEE20	12'li Erkek Pano Tipi Geçme Soket	12 Conductor Male Plug		-
A-12	0.205150101.30593	OPEE33	2'li Erkek Pano Tipi Geçme Soket Kapağı	2 Conductor Male Plug Strain Relief Housing		-
	0.205150101.30590	OPEE30	3'lü Erkek Pano Tipi Geçme Soket Kapağı	3 Conductor Male Plug Strain Relief Housing		-
	0.205150101.31040	OPEE39	4'lü Erkek Pano Tipi Geçme Soket Kapağı	4 Conductor Male Plug Strain Relief Housing		-
	0.205150101.30578	OPEE21	12'li Erkek Pano Tipi Geçme Soket Kapağı	12 Conductor Male Plug Strain Relief Housing		-
B-13	0.205330101.27618	OPEE51	Dijital Ön Kapağı	Control Panel Front Cover		-
B-15	0.205180101.20950	OPEE43	Dijital	Control Panel		-
B-16	0.205010101.27621	OPEE02	Açma-Kapama Düğmesi	On/Off Switch		V, W&T
B-17	1.9904010101.30748	OPEF59	Dijital Montaj Sacı	Control Panel Sheet		-
B-18	0.205220101.12453	OPEE50	Rakor	Coupling		-
B-19	1.3501010101.31597	OPEE99	Dijital Kablosu	Control Panel Cable		-
C-20	0.211010101.13392	OPEE84	Kondanser Fan Motoru	Condanser Fan Motor	a	V, W&T
	0.206140101.27569	OPEE73	Fan Koruma Teli	Fan Basket Guard	a	-
	0.206060101.11160	OPEE59	Kondanser Fan Kanadı	Condanser Fan Wing	a	V, W&T
	0.205050101.17658	OPEE07	Kondanser Fan Motoru Kablosu	Condanser Fan Motor Cable	a	V, W&T
	0.211010101.14393	OPEE85	Kondanser Fan Motoru	Condanser Fan Motor	b,c	V, W&T
C-21	1.3502010101.31681	OPEF33	Soğutma Kılcalı	Capillary Tube	a,d	-
	1.3502010101.31682	OPEF34			b,e	-
	1.3502010101.31683	OPEF35			c,f	-

PNC 341076	REF a	PNC 341077	REF b	PNC 341078	REF c	PNC 341122	REF d	PNC 341123	REF e	PNC 341124	REF f
---------------	----------	---------------	----------	---------------	----------	---------------	----------	---------------	----------	---------------	----------

POS	ALIAS CODE	CODE	AÇIKLAMA	DESCRIPTION	Ref./Notes	V(Vital spare part) W&T (Wear & Tear part) - (non)
C-22	0.206020101.11149	0PEE55	Drayer	Drayer	a,b,c	-
C-23	0.206080101.26955		Kompresör	Compressor	b	V, W&T
	0.206080101.26956				a,c	
C-101	0.206080101.27278				b,c	
D-24	0.206110101.31441	0PEE71	Termostatik Genleşme Valf	Therm. Expansion valve	d,e,f	V
D-25	0.206110201.31442	0PEE72	Genleşme Vanası Orfisi	Expansion valve orifice	d,e,f	V
D-26	0.206110101.14394	0PEF66	Solenoid Valf	Solenoid valve	d,e,f	V, W&T
D-27	0.206010101.11139	0PEE53	Soğutma Hortumu	Hose for cooling gas	d,e,f	-
E-28	5000127	0PEC38	Çektirme	Fixing Part		-
E-31	0.205180101.31041	0PEE45	Prob Silikon Uçlu	Probe with Silicon Tip		-
F-40	5000272	0PEC50	Gider Sacı	Drain Sheet		-
F-41	0.236010101.30774	0PEE94	Gider Borusu	Drain Pipe		-
F-42	0.233010101.30771	0PEE93	Gider Contası	Drain Gasket		-
F-43	0.207201301.30758	0PEE76	Gider Somunu	Drain Nut		-
68	0.202110101.31576	0PED83	Plexi Kapak Bağlantı Parçası	Flap Connection Tool		-
69	50000899	0PEC87	Yan Isıcam	Side Double Glazing Glass		-
70	50000880	0PEC86	Yan Isıcam Çıtası	Side Double Glazing Glass Lath		-
	50000879	0PEC85	Üst Isıcam Çıtası	Top Double Glazing Glass Lath		-
71	1.9904010101.31434	0PEF60	Led 2 GN	Led Lightining 2 GN	a,d	W&T
	1.9904010101.31435	0PEF61	Led 3 GN	Led Lightining 3 GN	b,e	W&T
	1.9904010101.31436	0PEF62	Led 4 GN	Led Lightining 4 GN	c,f	W&T
72	0.206040101.28836	0PEE58	Evaporatör 2GN	Evaporator 2GN	a,d	-
	0.206040101.28835	0PEE57	Evaporatör 3GN	Evaporator 3GN	b,e	-
	0.206040101.27232	0PEE56	Evaporatör 4GN	Evaporator 4GN	c,f	-
73	50000908	0PEC88	Yan Raf Kolu	Side Shelf Support		-
	50000918	0PEC89	Orta raf Kolu	Middle Shelf Support		-
	50000929	0PEC90	Orta raf Kolu	Middle Shelf Support		-
74	0.202230101.31431	0PED84	Tel Raf 2 GN	Wire Shelf 2 GN	a,d	-
	0.202230101.31432	0PED85	Tel Raf 3 GN	Wire Shelf 3 GN	b,e	-
	0.202230101.31433	0PED86	Tel Raf 4 GN	Wire Shelf 4 GN	c,f	-
75	50000990	0PEC99	Pleksi Kapak 2gn Üst	Flap 2 Gn top	a,d	-
	50000989	0PEC98	Pleksi Kapak 2gn Orta	Flap 2 Gn middle	a,d	-
	50000988	0PEC97	Pleksi Kapak 2gn Alt	Flap 2 Gn bottom	a,d	-
	50000963	0PEC96	Pleksi Kapak 3gn Üst	Flap 3 Gn top	b,e	-
	50000962	0PEC95	Pleksi Kapak 3gn Orta	Flap 3 Gn middle	b,e	-
	50000961	0PEC94	Pleksi Kapak 3gn Alt	Flap 3 Gn bottom	b,e	-
	50000940	0PEC93	Pleksi Kapak 4gn Üst	Flap 4 Gn top	c,f	-
	50000939	0PEC92	Pleksi Kapak 4gn Orta	Flap 4 Gn middle	c,f	-
50000938	0PEC91	Pleksi Kapak 4gn Alt	Flap 4 Gn bottom	c,f	-	
76	0.211010101.27224		Yatay Fan	Tangential Blower		V, W&T