

SPARE PARTS CATALOGUE

FLEXY DROP-IN COLD STATIC FUNCTIONS

Code	En. Ch.	Model	Type	Ref.	Brand	Page
341156	00	D10C1	Flexy Drop-In Cold Well, Static, 1GN	a	Electrolux	4
341036	00	D10C2	Flexy Drop-In Cold Well, Static, 2GN	b	Electrolux	4
341037	00	D10C3	Flexy Drop-In Cold Well, Static, 3GN	c	Electrolux	4
341038	00	D10C4	Flexy Drop-In Cold Well, Static, 4GN	d	Electrolux	4
341039	00	D10C5	Flexy Drop-In Cold Well, Static, 5GN	e	Electrolux	4
341040	00	D10C6	Flexy Drop-In Cold Well, Static, 6GN	f	Electrolux	4
341041	00	D11C2	Flexy Drop-In Cold Well, Static with Fan, 2GN	g	Electrolux	5
341042	00	D11C3	Flexy Drop-In Cold Well, Static with Fan, 3GN	h	Electrolux	5
341043	00	D11C4	Flexy Drop-In Cold Well, Static with Fan, 4GN	i	Electrolux	5
341044	00	D11C5	Flexy Drop-In Cold Well, Static with Fan, 5GN	j	Electrolux	5
341045	00	D11C6	Flexy Drop-In Cold Well, Static with Fan, 6GN	k	Electrolux	5
341054	00	D14C1	Flexy Drop-In Cold S/S Surface, 1GN	l	Electrolux	6
341055	00	D14C2	Flexy Drop-In Cold S/S Surface, 2GN	m	Electrolux	6
341056	00	D14C3	Flexy Drop-In Cold S/S Surface, 3GN	n	Electrolux	6
341057	00	D14C4	Flexy Drop-In Cold S/S Surface, 4GN	o	Electrolux	6
341058	00	D14C5	Flexy Drop-In Cold S/S Surface, 5GN	p	Electrolux	6
341059	00	D14C6	Flexy Drop-In Cold S/S Surface, 6GN	q	Electrolux	6
341082	00	D21C1	Flexy Drop-In Cold quartz Surface, 1GN	r	Electrolux	7
341083	00	D21C2	Flexy Drop-In Cold quartz Surface, 2GN	s	Electrolux	7
341084	00	D21C3	Flexy Drop-In Cold quartz Surface, 3GN	t	Electrolux	7
341085	00	D21C4	Flexy Drop-In Cold quartz Surface, 4GN	u	Electrolux	7
341086	00	D21C5	Flexy Drop-In Cold quartz Surface, 5GN	v	Electrolux	7
341087	00	D21C6	Flexy Drop-In Cold quartz Surface, 6GN	w	Electrolux	7
341157	00	D10R1	Flexy Drop-In Remote Cold Well, Static, 1GN	x	Electrolux	3
341088	00	D10R2	Flexy Drop-In Remote, Cold Well, Static, 2GN	y	Electrolux	3
341089	00	D10R3	Flexy Drop-In Remote, Cold Well, Static, 3GN	z	Electrolux	3
341090	00	D10R4	Flexy Drop-In Remote, Cold Well, Static, 4GN	aa	Electrolux	3
341091	00	D10R5	Flexy Drop-In Remote, Cold Well, Static, 5GN	ab	Electrolux	3
341092	00	D10R6	Flexy Drop-In Remote, Cold Well, Static, 6GN	ac	Electrolux	3
341093	00	D11R2	Flexy Drop-In Rem.,Cold Well,Static w/Fan,2GN	ad	Electrolux	3
341094	00	D11R3	Flexy Drop-In Rem.,Cold Well,Static w/Fan,3GN	ae	Electrolux	3
341095	00	D11R4	Flexy Drop-In Rem.,Cold Well,Static w/Fan,4GN	af	Electrolux	3
341096	00	D11R5	Flexy Drop-In Rem.,Cold Well,Static w/Fan,5GN	ag	Electrolux	3
341097	00	D11R6	Flexy Drop-In Rem.,Cold Well,Static w/Fan,6GN	ah	Electrolux	3
341108	00	D14R1	Flexy Drop-In Remote, Cold S/S Surface, 1GN	ai	Electrolux	3
341109	00	D14R2	Flexy Drop-In Remote, Cold S/S Surface, 2GN	aj	Electrolux	3
341110	00	D14R3	Flexy Drop-In Remote, Cold S/S Surface, 3GN	ak	Electrolux	3

Code	En. Ch.	Model	Type	Ref.	Brand	Page
341111	00	D14R4	Flexy Drop-In Remote, Cold S/S Surface, 4GN	al	Electrolux	3
341112	00	D14R5	Flexy Drop-In Remote, Cold S/S Surface, 5GN	am	Electrolux	3
341113	00	D14R6	Flexy Drop-In Remote, Cold S/S Surface, 6GN	an	Electrolux	3
341136	00	D21R1	Flexy Drop-In Rem., Cold quartz Surface, 1GN	ao	Electrolux	3
341137	00	D21R2	Flexy Drop-In Rem., Cold quartz Surface, 2GN	ap	Electrolux	3
341138	00	D21R3	Flexy Drop-In Rem., Cold quartz Surface, 3GN	aq	Electrolux	3
341139	00	D21R4	Flexy Drop-In Rem., Cold quartz Surface, 4GN	ar	Electrolux	3
341140	00	D21R5	Flexy Drop-In Rem., Cold quartz Surface, 5GN	as	Electrolux	3
341141	00	D21R6	Flexy Drop-In Rem., Cold quartz Surface, 6GN	at	Electrolux	3

Page

3,4,5,6,7

8,9,10,11

Brand: Electrolux

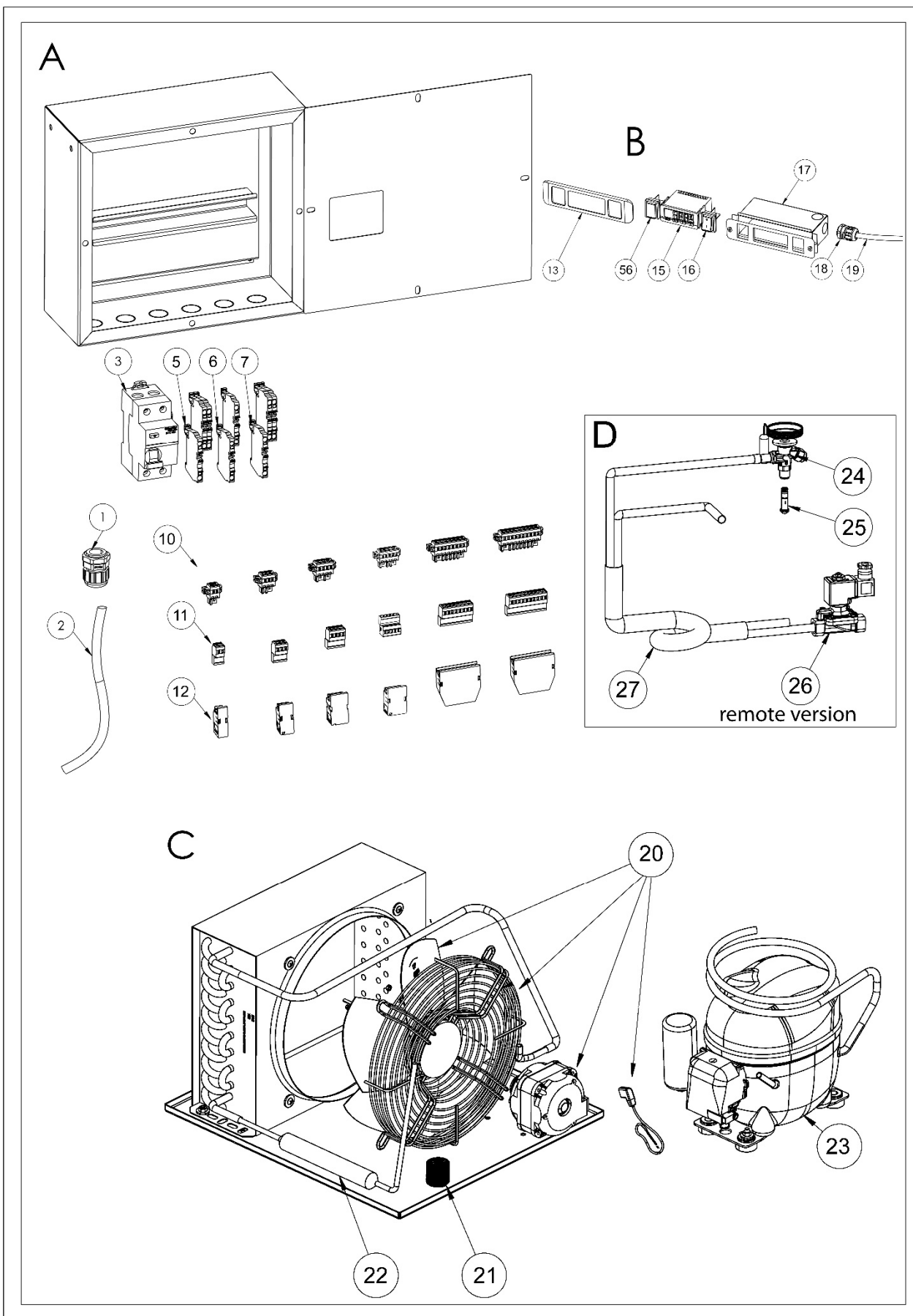
Country: All

Index

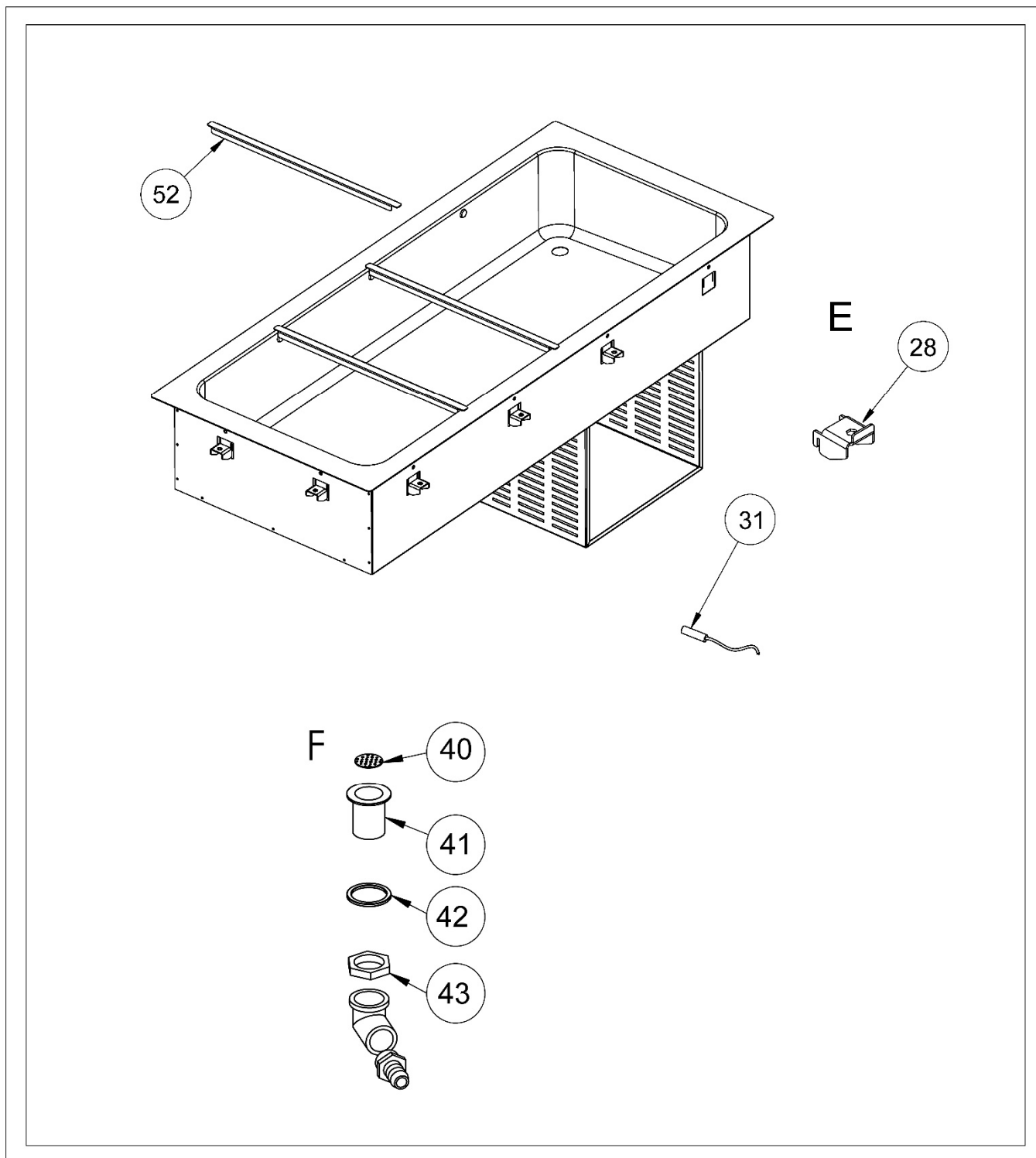
Exploded View

Spare Parts Lists

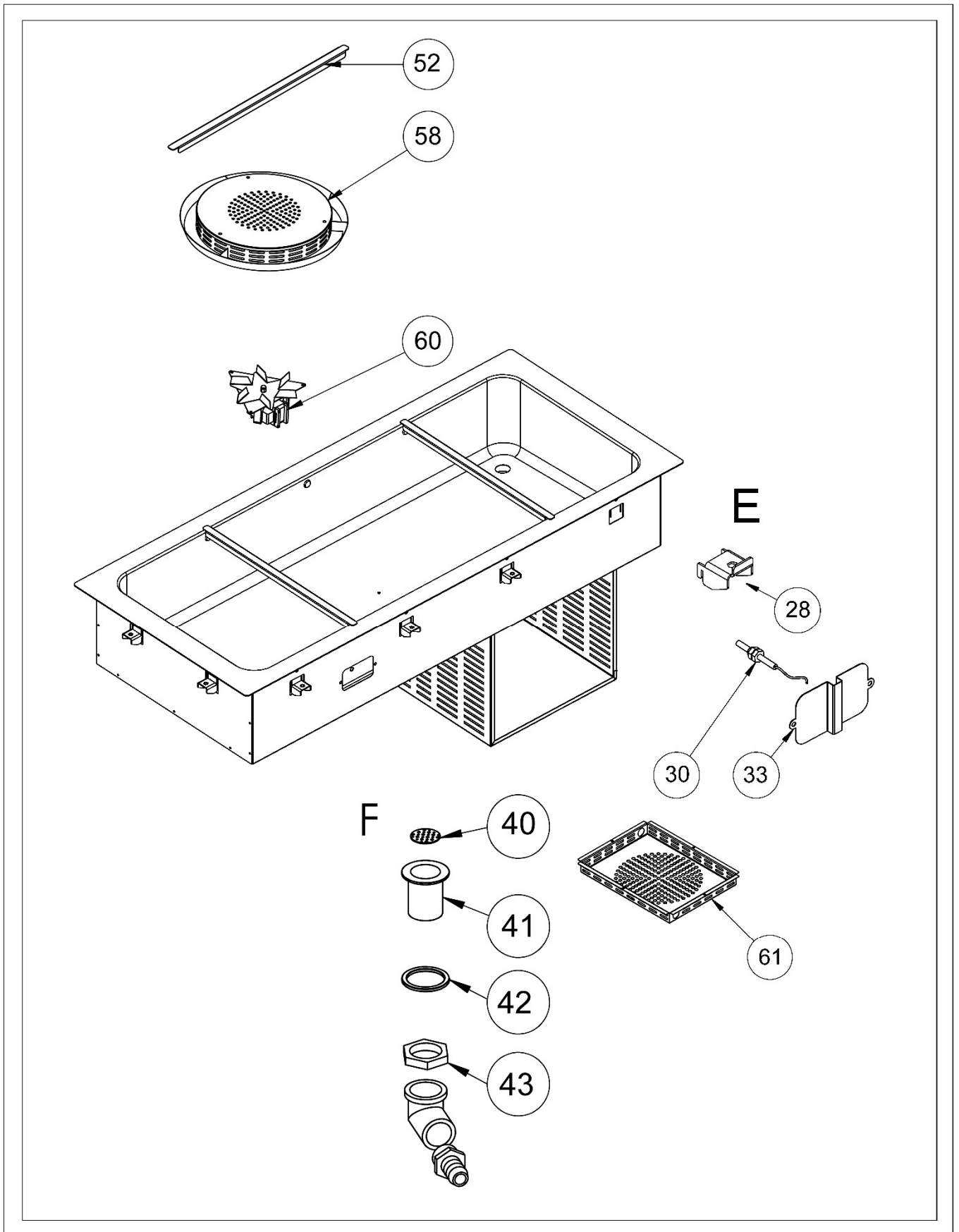
Cold Static Units Electrical



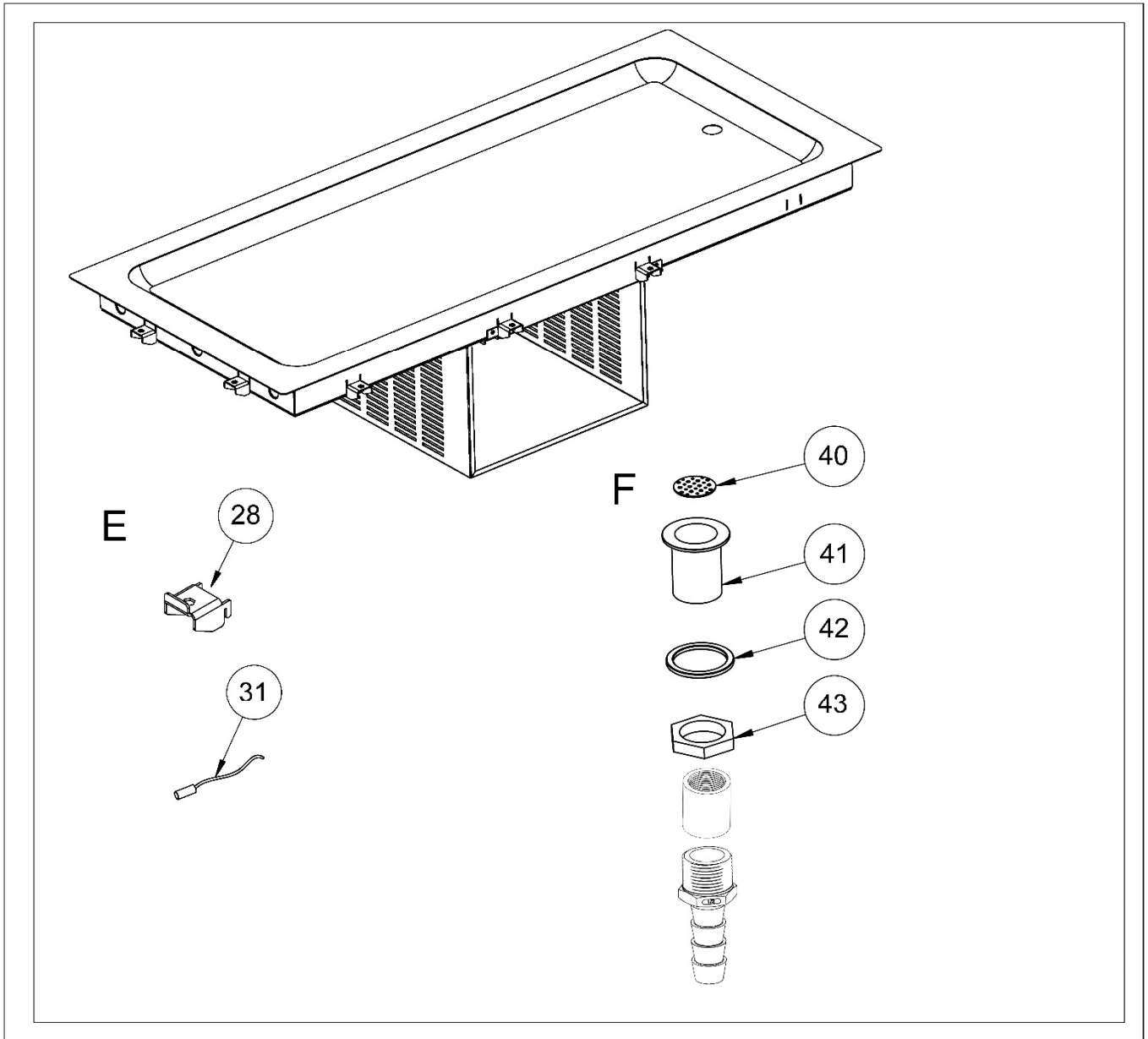
Cold Well Static



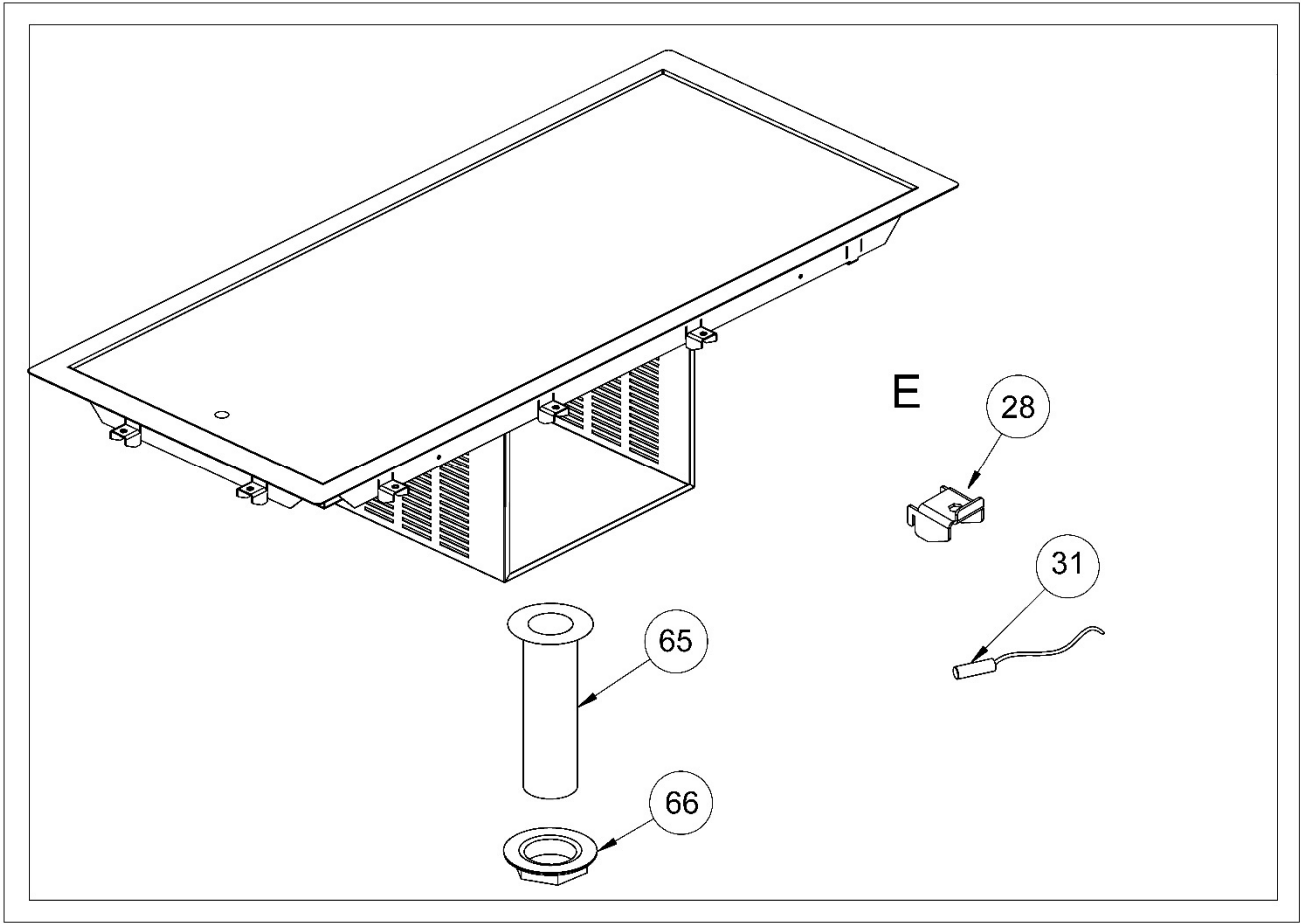
Cold Well Static with Fan



Cold S-S Surface



Cold Surface



PNC	REF	PNC	REF	PNC	REF	PNC	REF	PNC	REF	PNC	REF
341156	a	341043	i	341059	q	341088	y	341096	ag	341136	ao
341036	b	341044	j	341082	r	341089	z	341097	ah	341137	ap
341037	c	341045	k	341083	s	341090	aa	341108	ai	341138	aq
341038	d	341054	l	341084	t	341091	ab	341109	aj	341139	ar
341039	e	341055	m	341085	u	341092	ac	341110	ak	341140	as
341040	f	341056	n	341086	v	341093	ad	341111	al	341141	at
341041	g	341057	o	341087	w	341094	ae	341112	am		
341042	h	341058	p	341157	x	341095	af	341113	an		

POS	ALIAS CODE	CODE	AÇIKLAMA	DESCRIPTION	Ref./Notes	V(Vital spare part) W&T (Wear&Tear part) - (non)
A-1	0.205220101.12452	0PEE49	Rakor	Coupling		-
A-2	0.205071201.27672	0PEE09	Pano Güç Kablosu	Board Power Cable		-
A-3	0.205130101.27626	0PEE18	Kaçak Akım Rölesi 1PH	Leakage Current Relay 1PH		-
A-5	0.205080101.27487	0PEE11	Mavi Klemens	Blue Connector		-
A-6	0.205080101.27488	0PEE12	Gri Klemens	Grey Connector		-
A-7	0.205080101.27489	0PEE13	Yeşil Klemens	Green Connector		-
A-10	0.205150101.30591	0PEE31	2'li Dişli Pano Tipi Geçme Soket	2 Conductor Female Plug		-
	0.205150101.30588		3'lü Dişli Pano Tipi Geçme Soket	3 Conductor Female Plug		-
	0.205150101.31038	0PEE37	4'lü Dişli Pano Tipi Geçme Soket	4 Conductor Female Plug		-
	0.205150101.31035	0PEE34	10'lu Dişli Pano Tipi Geçme Soket	10 Conductor Female Plug		-
	0.205150101.30576	0PEE19	12'li Dişli Pano Tipi Geçme Soket	12 Conductor Female Plug	g,h,i,j,k,ad,ae,af,ag,ah	-
A-11	0.205150101.30592	0PEE32	2'li Erkek Pano Tipi Geçme Soket	2 Conductor Male Plug		-
	0.205150101.30589		3'lü Erkek Pano Tipi Geçme Soket	3 Conductor Male Plug		-
	0.205150101.31039	0PEE38	4'lü Erkek Pano Tipi Geçme Soket	4 Conductor Male Plug		-
	0.205150101.31036	0PEE35	10'lu Erkek Pano Tipi Geçme Soket	10 Conductor Male Plug		-
	0.205150101.30577	0PEE20	12'li Erkek Pano Tipi Geçme Soket	12 Conductor Male Plug	g,h,i,j,k,ad,ae,af,ag,ah	-
A-12	0.205150101.30593	0PEE33	2'li Erkek Pano Tipi Geçme Soket Kapağı	2 Conductor Male Plug Strain Relief Housing		-
	0.205150101.30590	0PEE30	3'lü Erkek Pano Tipi Geçme Soket Kapağı	3 Conductor Male Plug Strain Relief Housing		-
	0.205150101.31040	0PEE39	4'lü Erkek Pano Tipi Geçme Soket Kapağı	4 Conductor Male Plug Strain Relief Housing		-
	0.205150101.31037	0PEE36	10'lu Erkek Pano Tipi Geçme Soket Kapağı	10 Conductor Male Plug Strain Relief Housing		-
	0.205150101.30578	0PEE21	12'li Erkek Pano Tipi Geçme Soket Kapağı	12 Conductor Male Plug Strain Relief Housing	g,h,i,j,k,ad,ae,af,ag,ah	-
B-13	0.205330101.27618	0PEE51	Dijital Ön Kapağı	Control Panel Front Cover		-

PNC	REF	PNC	REF	PNC	REF	PNC	REF	PNC	REF	PNC	REF
341156	a	341043	i	341059	q	341088	y	341096	ag	341136	ao
341036	b	341044	j	341082	r	341089	z	341097	ah	341137	ap
341037	c	341045	k	341083	s	341090	aa	341108	ai	341138	aq
341038	d	341054	l	341084	t	341091	ab	341109	aj	341139	ar
341039	e	341055	m	341085	u	341092	ac	341110	ak	341140	as
341040	f	341056	n	341086	v	341093	ad	341111	al	341141	at
341041	g	341057	o	341087	w	341094	ae	341112	am		
341042	h	341058	p	341157	x	341095	af	341113	an		

POS	ALIAS CODE	CODE	AÇIKLAMA	DESCRIPTION	Ref./Notes	V(Vital spare part) W&T (Wear&Tear part) - (non)
B-15	0.205180101.20950	OPEE43	Dijital	Control Panel		-
B-16	0.205010101.27621	OPEE02	Açma-Kapama Düğmesi	On/Off Switch		V,W&T
B-17	1.9904010101.30748	OPEF59	Dijital Montaj Sacı	Control Panel Sheet		-
B-18	0.205220101.12453	OPEE50	Rakor	Coupling		-
B-19	1.3501010101.31597	OPEE99	Dijital Kablosu	Control Panel Cable	g,h,i,j,k,ad,ae,af,ag,ah	-
	1.3501010101.31599	OPEF01			a,b,c,d,e,f,x,y,z,aa,ab,ac, l,m,n,o,p,q,ai,aj,ak,al,am,an,r,st, u,v,w,ao,ap,aq,ar,as,at	-
C-20	0.211010101.13392	OPEE84	Kondanser Fan Motoru	Condanser Fan Motor	a,b,c,d,e,f,g,h,i,j,k,l,m,n,o,p, q,r,s,t,u,v,w	V,W&T
	0.206140101.27569	OPEE73	Fan Koruma Teli	Fan Basket Guard	a,b,c,d,e,f,g,h,i,j,k,l,m,n,o,p, q,r,s,t,u,v,w	-
	0.206060101.11160	OPEE59	Kondanser Fan Kanadı	Condanser Fan Wing	a,b,c,d,e,f,g,h,i,j,k,l,m,n,o,p, q,r,s,t,u,v,w	V,W&T
	0.205050101.17658	OPEE07	Kondanser Fan Motoru Kablosu	Condanser Fan Motor Cable	a,b,c,d,e,f,g,h,i,j,k,l,m,n,o,p, q,r,s,t,u,v,w	V,W&T
C-21	1.3502010101.31687	OPEF36	Soğutma Kılcalı	Capillary Tube	g,ad	-
	1.3502010101.31688	OPEF37			h,ae	-
	1.3502010101.31689	OPEF38			i,af	-
	1.3502010101.31690	OPEF39			j,ag	-
	1.3502010101.31691	OPEF40			k,ah	-
	1.3502010101.31692	OPEF41			a,x	-
	1.3502010101.31693	OPEF42			b,y	-
	1.3502010101.31694	OPEF43			c,z	-
	1.3502010101.31695	OPEF44			d,aa	-
	1.3502010101.31696	OPEF45			e,ab	-
	1.3502010101.31697	OPEF46			f,ac	-
	1.3502010101.31698	OPEF47			l,ai	-
	1.3502010101.31699	OPEF48			m,aj	-
	1.3502010101.31700	OPEF49			n,ak	-
	1.3502010101.31701	OPEF50			o,al	-
	1.3502010101.31702	OPEF51			p,am	-
	1.3502010101.31703	OPEF52			q,an	-
	1.3502010101.31704	OPEF53			r,ao	-
	1.3502010101.31705	OPEF54			s,ap	-
	1.3502010101.31706	OPEF55			t,aq	-
1.3502010101.31707	OPEF56	u,ar	-			
1.3502010101.31708	OPEF57	v,as	-			
1.3502010101.31709	OPEF58	w,at	-			

PNC	REF	PNC	REF	PNC	REF	PNC	REF	PNC	REF	PNC	REF
341156	a	341043	i	341059	q	341088	y	341096	ag	341136	ao
341036	b	341044	j	341082	r	341089	z	341097	ah	341137	ap
341037	c	341045	k	341083	s	341090	aa	341108	ai	341138	aq
341038	d	341054	l	341084	t	341091	ab	341109	aj	341139	ar
341039	e	341055	m	341085	u	341092	ac	341110	ak	341140	as
341040	f	341056	n	341086	v	341093	ad	341111	al	341141	at
341041	g	341057	o	341087	w	341094	ae	341112	am		
341042	h	341058	p	341157	x	341095	af	341113	an		

POS	ALIAS CODE	CODE	AÇIKLAMA	DESCRIPTION	Ref./Notes	V(Vital spare part) W&T (Wear&Tear part) - (non)
C-22	0.206020101.11149	0PEE55	Drayer	Drayer	All except Remote-Version	-
C-23	0.206080101.27278		Kompresör	Compressor	a,b,g,l,r	V,W&T
	0.206080101.26953				m,n,s,t	
	0.206080101.26954				o,p,q,u,v,w	
	0.206080101.26955				c,d,h,i	
	0.206080101.26956				e,f,j,k	
D-24	0.206110101.31441	0PEE71	Termostatik Genleşme Valf	Therm. Expansion valve	x,y,z,aa,ab,ac,ad,ae,af ,ag,ah,ai,aj,ak,al,am,a n,ao,ap,aq,ar,as,at	V
D-25	0.206110201.31442	0PEE72	Genleşme Vanası Orfisi	Expansion Valve Orifice	x,y,z,aa,ab,ac,ad,ae,af ,ag,ah,ai,aj,ak,al,am,a n,ao,ap,aq,ar,as,at	V
D-26	0.206110101.14394	0PEF66	Solenoid Valf	Solenoid Valve	x,y,z,aa,ab,ac,ad,ae,af ,ag,ah,ai,aj,ak,al,am,a n,ao,ap,aq,ar,as,at	V,W&T
D-27	0.206010101.11139	0PEE53	Soğutma Hortumu	Hose for Cooling Gas	x,y,z,aa,ab,ac,ad,ae,af ,ag,ah,ai,aj,ak,al,am,a n,ao,ap,aq,ar,as,at	-
E-28	50000127	0PEC38	Çektirme	Fixing Part		-
E-30	0.205180101.19674	0PEE41	Prob Somunlu	Probe with Nut	g,h,i,j,k,ad,ae,af,ag,ah	-
E-31	0.205180101.31041	0PEE45	Prob Silikon Uçlu	Probe with Silicon Tip	a,b,c,d,e,f,l,m,n,o,p,q, r,s,t,u,v,w,x,y,z,aa,ab, ac,ai,aj,ak,al,am,an,ao ,ap,aq,ar,as,at	-
E-33	50000275	0PEC51	Prob Koruma Sacı	Probe Protection Sheet	a,b,c,d,e,f,g,h,i,j,k,x,y, z,aa,ab,ac,ad,ae,af,ag, ah	-
F-40	50000272	0PEC50	Gider Sacı	Drain Sheet	a,b,c,d,e,f,g,h,i,j,k,l,m, n,o,p,q,x,y,z,aa,ab,ac, ad,ae,af,ag,ah,ai,aj,ak ,al,am,an	-

PNC	REF	PNC	REF	PNC	REF	PNC	REF	PNC	REF	PNC	REF
341156	a	341043	i	341059	q	341088	y	341096	ag	341136	ao
341036	b	341044	j	341082	r	341089	z	341097	ah	341137	ap
341037	c	341045	k	341083	s	341090	aa	341108	ai	341138	aq
341038	d	341054	l	341084	t	341091	ab	341109	aj	341139	ar
341039	e	341055	m	341085	u	341092	ac	341110	ak	341140	as
341040	f	341056	n	341086	v	341093	ad	341111	al	341141	at
341041	g	341057	o	341087	w	341094	ae	341112	am		
341042	h	341058	p	341157	x	341095	af	341113	an		

POS	ALIAS CODE	CODE	AÇIKLAMA	DESCRIPTION	Ref./Notes	V(Vital spare part) W&T (Wear&Tear part) - (non)
F-41	0.236010101.30774	0PEE94	Gider Borusu	Drain Pipe	a,b,c,d,e,f,g,h,i,j,k,l,m,n,o,p,q, x,y,z,aa,ab,ac,ad,ae,af,ag,ah,a i,aj,ak,al,am,an	-
F-42	0.233010101.30771	0PEE93	Gider Contası	Drain Gasket	a,b,c,d,e,f,g,h,i,j,k,l,m,n,o,p,q, x,y,z,aa,ab,ac,ad,ae,af,ag,ah,a i,aj,ak,al,am,an	-
F-43	0.207201301.30758	0PEE76	Gider Somunu	Drain Nut	a,b,c,d,e,f,g,h,i,j,k,l,m,n,o,p,q,x,y, z,aa,ab,ac,ad,ae,af,ag,ah,ai,aj,ak al,am,an	-
52	50000598	0PEC82	GN Çıtası	Gn Lath	a,b,c,d,e,f,g,h,i,j,k,x,y,z,aa,ab,ac, ad,ae,af,ag,ah	-
56	0.208020101.29840	0PEE79	Körleme Plastiği	Blanking Plastic		-
58	50000247	0PEC48	Isıtıcı Koruma Fan Kapağı	Heating Element Protection Cover	g,h,i,j,k,ad,ae,af,ag,ah	-
60	0.211010101.19928		Fan ve Fan motoru	Fan and Fan Motor	g,h,i,j,k,ad,ae,af,ag,ah	V,W&T
61	50000248	0PEC49	Fan Koruma Kapağı	Fan Protection Cover	g,h,i,j,k,ad,ae,af,ag,ah	-
65	0.236010101.31050	0PEE96	Polyamid Gider	Polyamide Drain	r,s,t,u,v,w,ao,ap,aq,ar,as,at	-
66	0.207201601.31049	0PEE78	Pirinç Gider Somunu	Brass Drain Nut	r,s,t,u,v,w,ao,ap,aq,ar,as,at	-