

SPARE PARTS CATALOGUE

FLEXY DROP-IN COLD VENTILATED FUNCTIONS

Code	En. Ch.	Model	Type	Ref.	Brand	Page
341046	00	D12C2	Flexy Drop-In Cold Well,Ventilated,2GN	a	Electrolux	3
341047	00	D12C3	Flexy Drop-In Cold Well,Ventilated,3GN	b	Electrolux	3
341048	00	D12C4	Flexy Drop-In Cold Well,Ventilated,4GN	c	Electrolux	3
341049	00	D12C5	Flexy Drop-In Cold Well,Ventilated,5GN	d	Electrolux	3
341050	00	D13C2	Flexy Drop-In Cold Well,Ventilated,2Levels,2GN	e	Electrolux	4
341051	00	D13C3	Flexy Drop-In Cold Well,Ventilated,2Levels,3GN	f	Electrolux	4
341052	00	D13C4	Flexy Drop-In Cold Well,Ventilated,2Levels,4GN	g	Electrolux	4
341053	00	D13C5	Flexy Drop-In Cold Well,Ventilated,2Levels,5GN	h	Electrolux	4
341060	00	D15C2	Flexy Drop-In Cold Display, Flat, 4hrs, 2GN	i	Electrolux	6
341061	00	D15C3	Flexy Drop-In Cold Display, Flat, 4hrs, 3GN	j	Electrolux	6
341062	00	D15C4	Flexy Drop-In Cold Display, Flat, 4hrs, 4GN	k	Electrolux	6
341063	00	D15C5	Flexy Drop-In Cold Display, Flat, 4hrs, 5GN	l	Electrolux	6
341098	00	D12R2	Flexy Drop-In Rem.,Cold Well,Vent.,2GN	m	Electrolux	2
341099	00	D12R3	Flexy Drop-In Rem.,Cold Well,Vent.,3GN	n	Electrolux	2
341100	00	D12R4	Flexy Drop-In Rem.,Cold Well,Vent.,4GN	o	Electrolux	2
341101	00	D12R5	Flexy Drop-In Rem.,Cold Well,Vent.,5GN	p	Electrolux	2
341103	00	D13R2	Flexy Drop-In Rem.,Cold Well,Vent.,2Levels,2GN	q	Electrolux	2
341105	00	D13R3	Flexy Drop-In Rem.,Cold Well,Vent.,2Levels,3GN	r	Electrolux	2
341106	00	D13R4	Flexy Drop-In Rem.,Cold Well,Vent.,2Levels,4GN	s	Electrolux	2
341107	00	D13R5	Flexy Drop-In Rem.,Cold Well,Vent.,2Levels,5GN	t	Electrolux	2
341114	00	D15R2	Flexy Drop-In Rem.,Cold Display,Flat,4hrs,2GN	u	Electrolux	5
341115	00	D15R3	Flexy Drop-In Rem.,Cold Display,Flat,4hrs,3GN	v	Electrolux	5
341116	00	D15R4	Flexy Drop-In Rem.,Cold Display,Flat,4hrs,4GN	w	Electrolux	5
341117	00	D15R5	Flexy Drop-In Rem.,Cold Display,Flat,4hrs,5GN	x	Electrolux	5

Page

2,3,4,5

6,7,8,9

Index

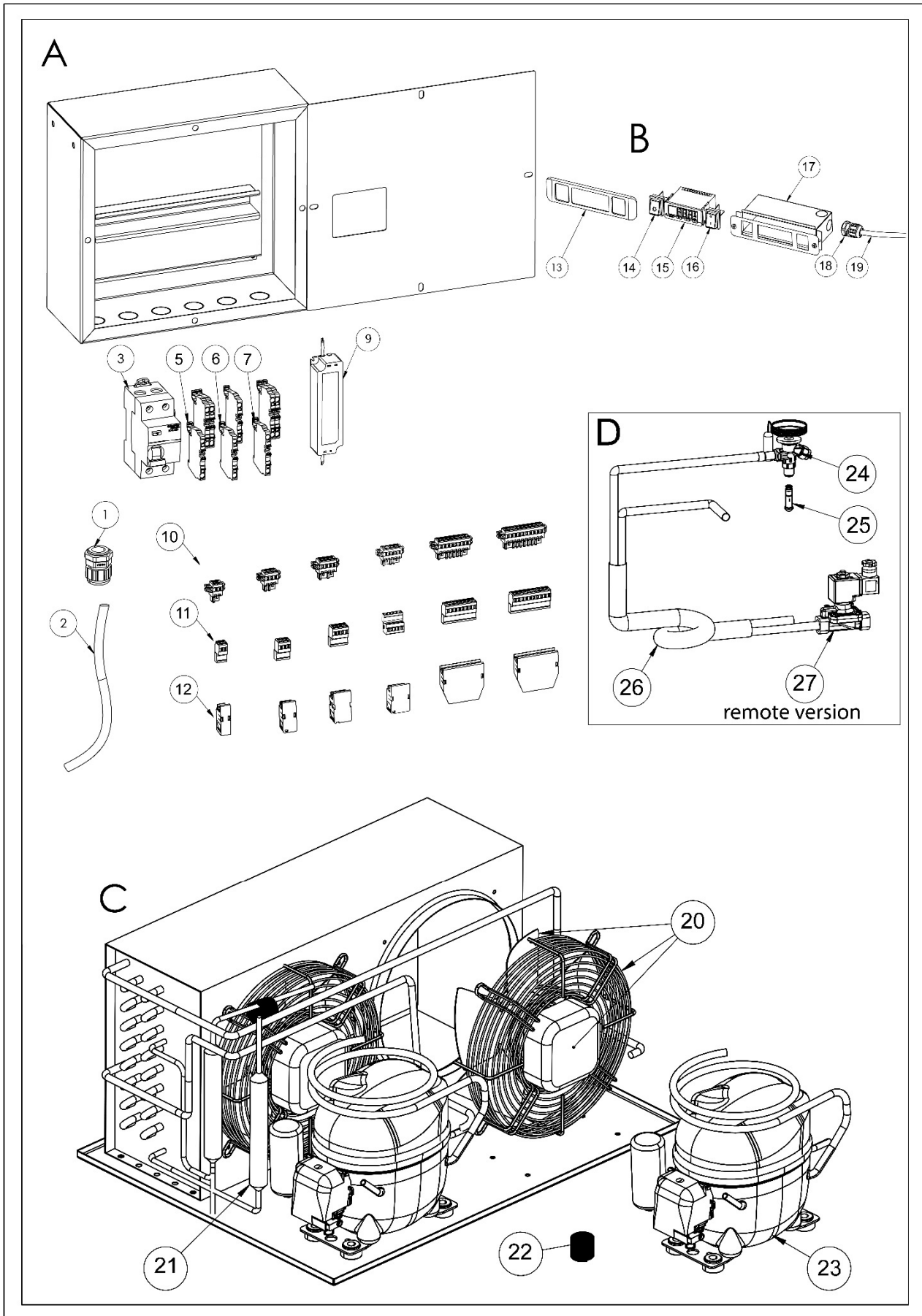
Exploded View

Spare Parts Lists

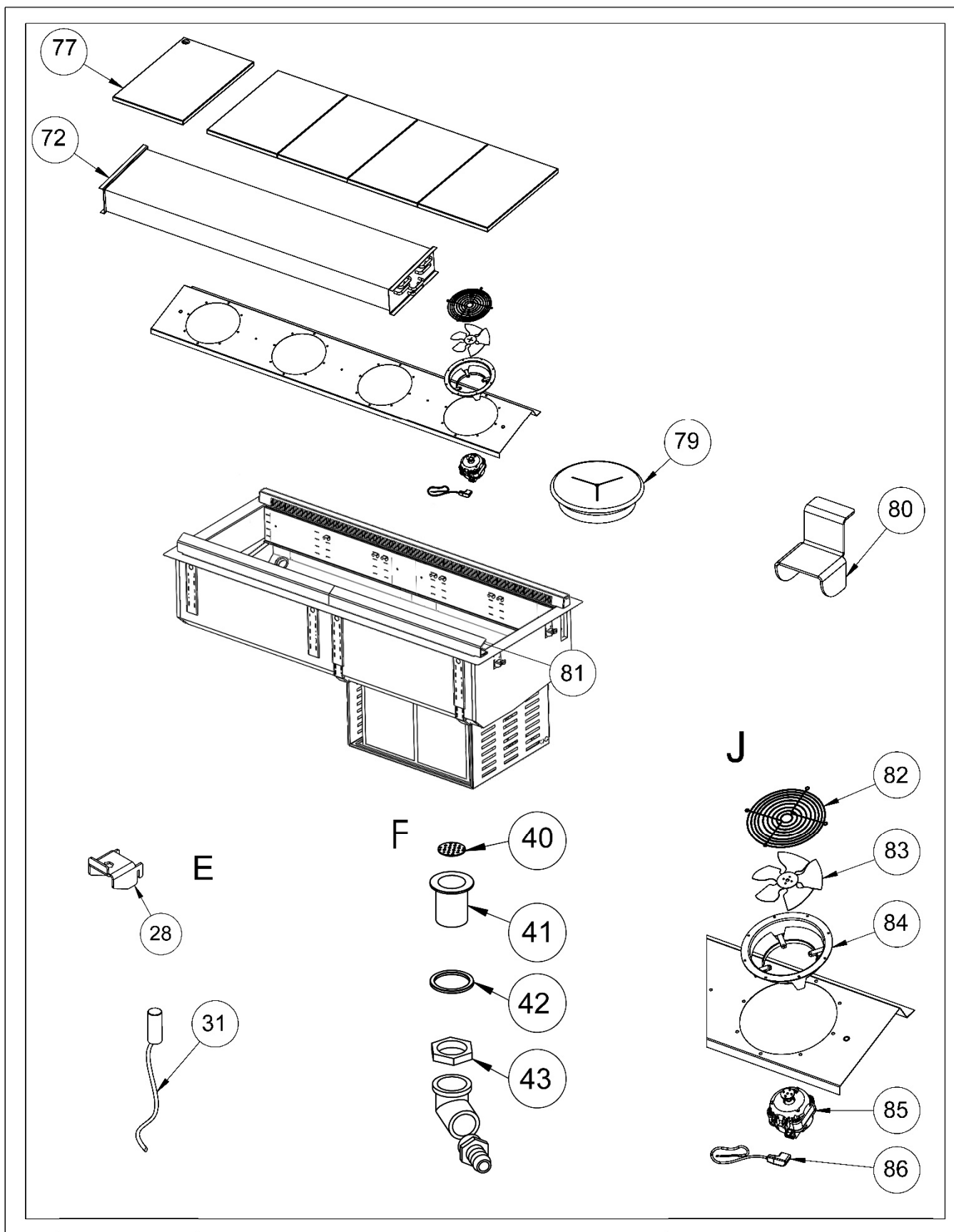
Brand: Electrolux

Country: All

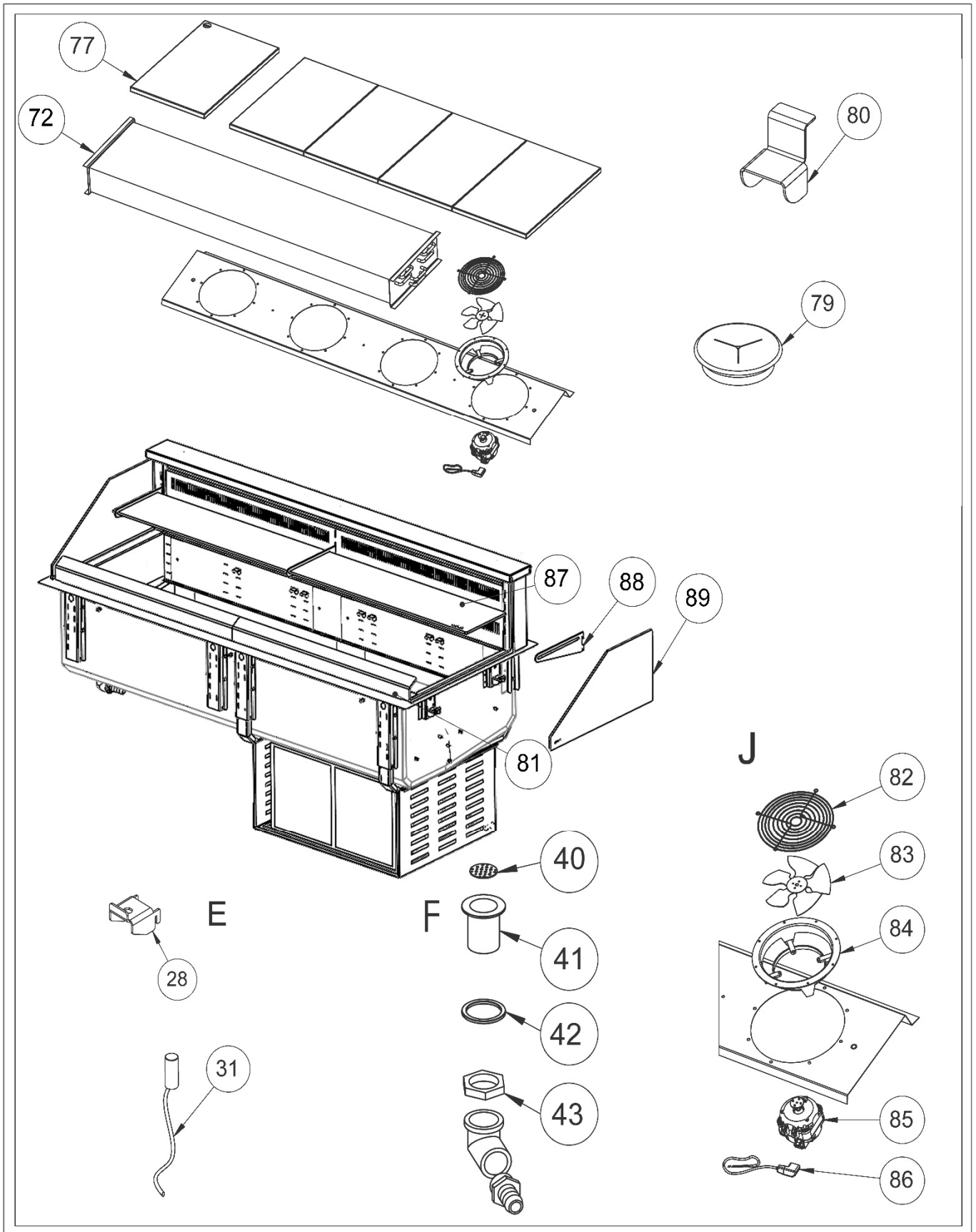
Cold Units Ventilated Electrical



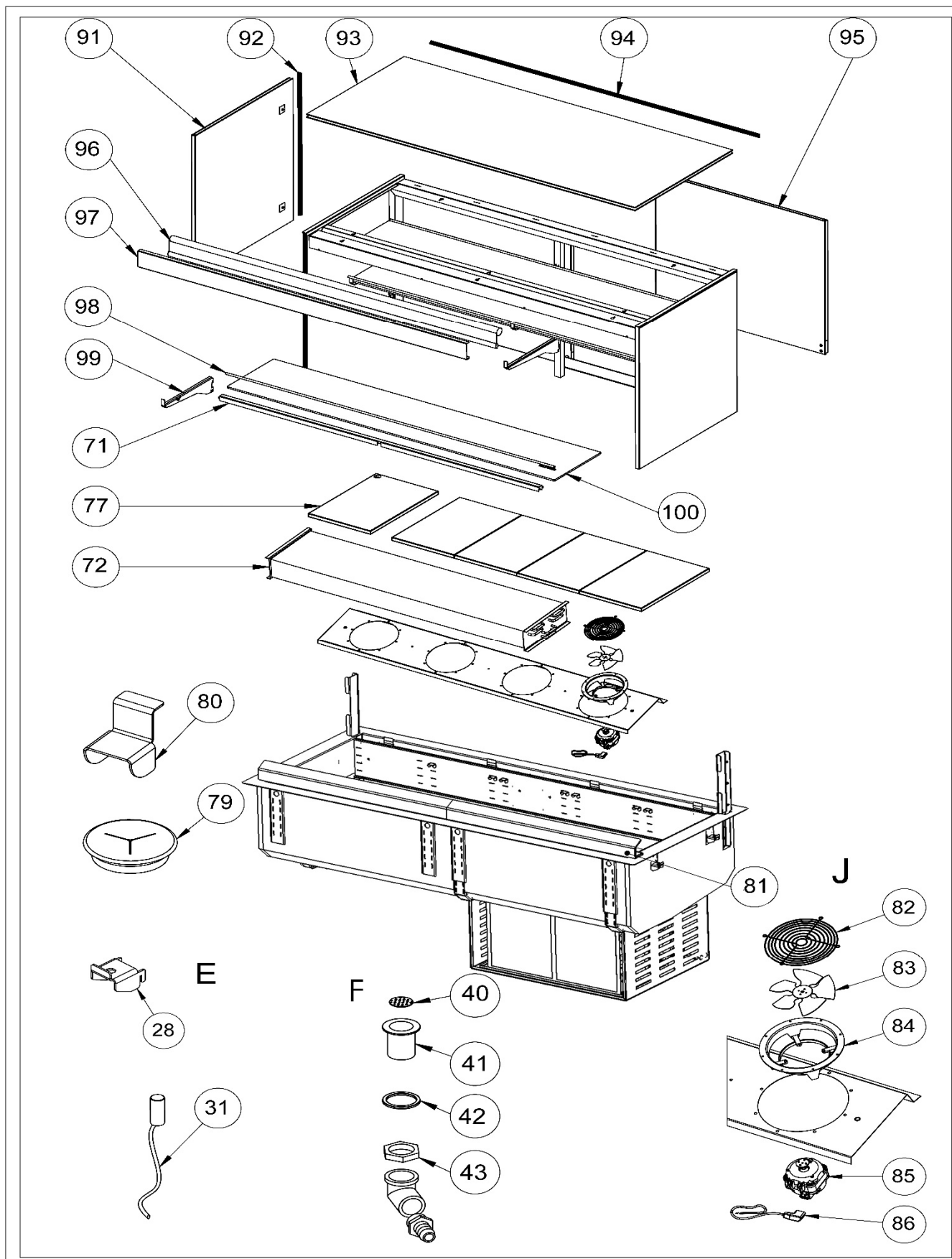
Cold Well Ventilated



Cold Well Ventilated 2 Levels



Cold Display Flat 4Hr



PNC	REF	PNC	REF	PNC	REF	PNC	REF	PNC	REF	PNC	REF
341046	a	341050	e	341060	i	341098	m	341103	q	341114	u
341047	b	341051	f	341061	j	341099	n	341105	r	341115	v
341048	c	341052	g	341062	k	341100	o	341106	s	341116	w
341049	d	341053	h	341063	l	341101	p	341107	t	341117	x

POS	ALIAS CODE	CODE	AÇIKLAMA	DESCRIPTION	Ref./Notes	V(Vital spare part) W&T (Wear& Tear part) - (non)
A-1	0.205220101.12452	0PEE49	Rakor	Coupling		-
A-2	0.205071201.27672	0PEE09	Pano Güç Kablosu	Board Power Cable		-
A-3	0.205130101.27626	0PEE18	Kaçak Akım Rölesi 1PH	Leakage Current Relay 1PH		-
A-5	0.205080101.27487	0PEE11	Mavi Klemens	Blue Connector		-
A-6	0.205080101.27488	0PEE12	Gri Klemens	Grey Connector		-
A-7	0.205080101.27489	0PEE13	Yeşil Klemens	Green Connector		-
A-9	0.205200101.27643	0PEE47	Led Trafosu	Led Transformer		W&T
A-10	0.205150101.30591	0PEE31	2'li Dişli Pano Tipi Geçme Soket	2 Conductor Female Plug		-
	0.205150101.30588		3'lü Dişli Pano Tipi Geçme Soket	3 Conductor Female Plug		-
	0.205150101.31038	0PEE37	4'lü Dişli Pano Tipi Geçme Soket	4 Conductor Female Plug		-
	0.205150101.30576	0PEE19	12'li Dişli Pano Tipi Geçme Soket	12 Conductor Female Plug		-
A-11	0.205150101.30592	0PEE32	2'li Erkek Pano Tipi Geçme Soket	2 Conductor Male Plug		-
	0.205150101.30589		3'lü Erkek Pano Tipi Geçme Soket	3 Conductor Male Plug		-
	0.205150101.31039	0PEE38	4'lü Erkek Pano Tipi Geçme Soket	4 Conductor Male Plug		-
	0.205150101.30577	0PEE20	12'li Erkek Pano Tipi Geçme Soket	12 Conductor Male Plug		-
A-12	0.205150101.30593	0PEE33	2'li Erkek Pano Tipi Geçme Soket Kapağı	2 Conductor Male Plug Strain Relief Housing		-
	0.205150101.30590	0PEE30	3'lü Erkek Pano Tipi Geçme Soket Kapağı	3 Conductor Male Plug Strain Relief Housing		-
	0.205150101.31040	0PEE39	4'lü Erkek Pano Tipi Geçme Soket Kapağı	4 Conductor Male Plug Strain Relief Housing		-
	0.205150101.30578	0PEE21	12'li Erkek Pano Tipi Geçme Soket Kapağı	12 Conductor Male Plug Strain Relief Housing		-
B-13	0.205330101.27618	0PEE51	Dijital Ön Kapağı	Control Panel Front Cover		-
B-14	0.205010101.27622	0PEE03	Aydınlatma Açma-Kapama	Lighting on/off switch		-
B-15	0.205180101.20950	0PEE43	Dijital	Control Panel		-
B-16	0.205010101.27621	0PEE02	Açma-Kapama Düğmesi	On/Off Switch		V,W&T
B-17	1.9904010101.30748	0PEF59	Dijital Montaj Sacı	Control Panel Sheet		-
B-18	0.205220101.12453	0PEE50	Rakor	Coupling		-
B-19	1.3501010101.31597	0PEE99	Dijital Kablosu	Control Panel Cable		-
C-20	0.211010101.13392	0PEE84	Kondanser Fan Motoru	Condanser Fan Motor	a,b,e,f,i,j	V,W&T
	0.206140101.27569	0PEE73	Fan Koruma Teli	Fan Basket Guard	a,b,e,f,i,j	V,W&T
	0.206060101.11160	0PEE59	Kondanser Fan Kanadı	Condanser Fan Wing	a,b,e,f,i,j	V,W&T
	0.205050101.17658	0PEE07	Kondanser Fan Motoru Kablosu	Condanser Fan Motor Cable	a,b,e,f,i,j	V,W&T
	0.211010101.14393	0PEE85	Kondanser Fan Motoru	Condanser Fan Motor	c,d,g,h,k,l	V,W&T

PNC	REF	PNC	REF	PNC	REF	PNC	REF	PNC	REF	PNC	REF
341046	a	341050	e	341060	i	341098	m	341103	q	341114	u
341047	b	341051	f	341061	j	341099	n	341105	r	341115	v
341048	c	341052	g	341062	k	341100	o	341106	s	341116	w
341049	d	341053	h	341063	l	341101	p	341107	t	341117	x

POS	ALIAS CODE	CODE	AÇIKLAMA	DESCRIPTION	Ref./Notes	V(Vital spare part) W&T (Wear& Tear part) - (non)
C-21	1.3502010101.31663	OPEF21	Soğutma Kılcalı	Capillary Tube	a,m	-
	1.3502010101.31664	OPEF22			b,n	-
	1.3502010101.31665	OPEF23			c,o	-
	1.3502010101.31666	OPEF24			d,p	-
	1.3502010101.31669	OPEF25			e,q	-
	1.3502010101.31670	OPEF26			f,r	-
	1.3502010101.31671	OPEF27			g,s	-
	1.3502010101.31672	OPEF28			h,t	-
	1.3502010101.31675	OPEF29			i,u	-
	1.3502010101.31676	OPEF30			j,v	-
	1.3502010101.31677	OPEF31			k,w	-
	1.3502010101.31678	OPEF32			l,x	-
C-22	0.206020101.11148	OPEE54	Drayer	Drayer		-
	0.206020101.11149	OPEE55				-
C-23	0.206080101.26955		Kompresör	Compressor	a,c,e,g,i,k	V,W&T
	0.206080101.26956				b,d,f,h,j,l	V,W&T
D-24	0.206110101.31441	OPEE71	Termostatik Genleşme Valfi	Therm. Expansion Valve	m,n,o,p,q,r,s,t,u,v,w,x	V
D-25	0.206110201.31442	OPEE72	Genleşme Vanası Orfisi	Expansion Valve Orifice	m,n,o,p,q,r,s,t,u,v,w,x	V
D-26	0.206010101.11139	OPEE53	Soğutma Hortumu	Hose for cooling gas	m,n,o,p,q,r,s,t,u,v,w,x	-
D-27	0.206110101.14394	OPEF66	Solenoid Valf	Solenoid valve	m,n,o,p,q,r,s,t,u,v,w,x	V,W&T
E-28	50000127	OPEC38	Çektirme	Fixing Part		-
E-31	0.205180101.31041	OPEE45	Prob Silikon Uçlu	Probe with Silicon Tip		-
F-40	50000272	OPEC50	Gider Sacı	Drain Sheet		-
F-41	0.236010101.30774	OPEE94	Gider Borusu	Drain Pipe		-
F-42	0.233010101.30771	OPEE93	Gider Contası	Drain Gasket		-
F-43	0.207201301.30758	OPEE76	Gider Somunu	Drain Nut		-
71	1.9904010101.31434	OPEF60	Led 2Gn	Led Lighting 2 Gn	i,u,k,w	W&T
	1.9904010101.31435	OPEF61	Led 3Gn	Led Lighting 3 Gn	j,v	W&T
	1.9904010101.31436	OPEF62	Led 4Gn	Led Lighting 4 Gn	k,w	W&T
	1.9904010101.31437	OPEF63	Led 5Gn	Led Lighting 5 Gn	l,x	W&T
	1.9904010101.31438	OPEF64	Led 5Gn Raf Altı	Led Lighting Under Shelf 5 Gn	l,x	W&T

PNC	REF	PNC	REF	PNC	REF	PNC	REF	PNC	REF	PNC	REF
341046	a	341050	e	341060	i	341098	m	341103	q	341114	u
341047	b	341051	f	341061	j	341099	n	341105	r	341115	v
341048	c	341052	g	341062	k	341100	o	341106	s	341116	w
341049	d	341053	h	341063	l	341101	p	341107	t	341117	x

POS	ALIAS CODE	CODE	AÇIKLAMA	DESCRIPTION	Ref./Notes	V(Vital spare part) W&T (Wear& Tear part) - (non)
72	0.206090101.28839	OPEE70	Evaporatör 2GN	Evaporator 2GN	a,e,i,m,q,u	-
	0.206090101.28838	OPEE69	Evaporatör 3GN	Evaporator 3GN	b,f,j,n,r,v	-
	0.206090101.28837	OPEE68	Evaporatör 4GN	Evaporator 4GN	c,g,k,o,s,w	-
	0.206090101.27761	OPEE67	Evaporatör 5GN	Evaporator 5GN	d,h,l,p,t,x	-
77	50001056	OPED01	Havuz Zemin Tavası	Well Bottom Tray		-
	50001057	OPED02	Delikli Havuz Zemin Tavası	Perforated Well Botton Tray		-
79	0.208020101.31447	OPEE80	Tava Açma Plastiği	Tray Pulling Plastic		-
80	50001055	OPED00	Tava Sabitleme Sacı	Tray Fixing Sheet		-
81	50001114	OPED16	Emiş yönündeki Pleksi 2Gn	Plexy for air suction 2Gn	a,e,i,m,q,u	-
	50001115	OPED17	Emiş yönündeki Pleksi 3Gn	Plexy for air suction 3Gn	b,f,j,n,r,v	-
	50001116	OPED18	Emiş yönündeki Pleksi 4Gn	Plexy for air suction 4Gn	c,g,k,o,s,w	-
	50001113	OPED15	Emiş yönündeki Pleksi 5Gn	Plexy for air suction 5Gn	d,h,l,p,t,x	-
J-82	0.206140101.31443	OPEE74	Ø150 Soğutma Fan Koruma Teli	Ø150 Protection Wire For Cooling Fan		-
J-83	0.206060101.31874	OPEE60	Ø154-22° Alüminyum Fan Kanadı	Ø154-22° Aluminum Fan wings		V,W&T
J-84	0.206070101.15566	OPEE60	Ø150 Fan Gövde Plastiği	Ø150Fan Body Plastic		-
J-85	0.211010101.26969		Fan Motoru	Fan Motor		V,W&T
J-86	0.205050101.31444	OPEE08	Bağlantı Kablosu	Motor Connection Cable		V,W&T
87	0.203020104.31640	OPED98	Temperli raf camı 2Gn	Tempered glass shelf 2 Gn	e,q	-
	0.203020104.31639	OPED97	Temperli raf camı 3Gn	Tempered glass shelf 3 Gn	f,r	-
	0.203020104.31638	OPED96	Temperli raf camı 4Gn	Tempered glass shelf 4 Gn	g,s	-
	0.203020104.31637	OPED95	Temperli raf camı 5Gn	Tempered glass shelf 5 Gn	h,t	-
88	50001058	OPED03	Raf Kolu	Shelf support	e,f,g,h,q,r,s,t	-
89	0.203020104.31641	OPED99	Temperli yan cam	Tempered side glass	e,f,g,h,q,r,s,t	-
91	50001684	OPED39	Yan Isıcam Sol	Left-Side double glazing glass	i,j,k,l,u,v,w,x	-
	50001683	OPED38	Yan Isıcam Sağ	Right-Side double glazing glass	i,j,k,l,u,v,w,x	-
92	50001091	OPED10	Yan Isıcam Çıtası	Side double glazing glass lath	i,j,k,l,u,v,w,x	-
93	50001679	OPED34	Üst Isıcam 2Gn	Top double glazing glass 2Gn	i,u	-
	50001680	OPED35	Üst Isıcam 3Gn	Top double glazing glass 3Gn	j,v	-
	50001681	OPED36	Üst Isıcam 4Gn	Top double glazing glass 4Gn	k,w	-
	50001682	OPED37	Üst Isıcam 5Gn	Top double glazing glass 5Gn	l,x	-

PNC	REF	PNC	REF	PNC	REF	PNC	REF	PNC	REF	PNC	REF
341046	a	341050	e	341060	i	341098	m	341103	q	341114	u
341047	b	341051	f	341061	j	341099	n	341105	r	341115	v
341048	c	341052	g	341062	k	341100	o	341106	s	341116	w
341049	d	341053	h	341063	l	341101	p	341107	t	341117	x

POS	ALIAS CODE	CODE	AÇIKLAMA	DESCRIPTION	Ref./Notes	V(Vital spare part) W&T (Wear& Tear part) - (non)
94	50001110	0PED12	Üst Isıcam Çıtası 2Gn	Top double glazing glass lath 2Gn	i,u	-
	50001111	0PED13	Üst Isıcam Çıtası 3Gn	Top double glazing glass lath 3Gn	j,v	-
	50001112	0PED14	Üst Isıcam Çıtası 4Gn	Top double glazing glass lath 4Gn	k,w	-
	50001109	0PED11	Üst Isıcam Çıtası 5Gn	Top double glazing glass lath 5Gn	l,x	-
95	50001232	0PED30	Kayar Kapak Seti 2Gn	Sliding door set 2Gn	i,u	-
	50001223	0PED29	Kayar Kapak Seti 3Gn	Sliding door set 3Gn	j,v	-
	50001214	0PED28	Kayar Kapak Seti 4Gn	Sliding door set 4Gn	k,w	-
	50001138	0PED27	Kayar Kapak Seti 5Gn	Sliding door set 5Gn	l,x	-
96	0.202050101.31626	0PED77	Perde 2Gn	Curtain 2Gn	i,u	-
	0.202050101.31627	0PED78	Perde 3Gn	Curtain 3Gn	j,v	-
	0.202050101.31628	0PED79	Perde 4Gn	Curtain 4Gn	k,w	-
	0.202050101.31629	0PED80	Perde 5Gn	Curtain 5Gn	l,x	-
97	50001132	0PED26	Perde koruma sacı 2Gn	Curtain protection steel 2Gn	i,u	-
	50001131	0PED25	Perde koruma sacı 3Gn	Curtain protection steel 3Gn	j,v	-
	50001130	0PED24	Perde koruma sacı 4Gn	Curtain protection steel 4Gn	k,w	-
	50001129	0PED23	Perde koruma sacı 5Gn	Curtain protection steel 5Gn	l,x	-
98	50001125	0PED19	Raf mili 2Gn	Shelf protection rail 2Gn	i,u	-
	50001126	0PED20	Raf mili 3Gn	Shelf protection rail 3Gn	j,v	-
	50001127	0PED21	Raf mili 4Gn	Shelf protection rail 4Gn	k,w	-
	50001128	0PED22	Raf mili 5Gn	Shelf protection rail 5Gn	l,x	-
99	50001068	0PED04	Raf Kolu Sol Kısa	Shelf support left short	i,j,k,l,u,v,w,x	-
	50001081	0PED07	Raf Kolu Sol Uzun	Shelf support left long	i,j,k,l,u,v,w,x	-
	50001083	0PED08	Raf Kolu Orta Kısa	Shelf support middle short	i,j,k,l,u,v,w,x	-
	50001087	0PED09	Raf Kolu Orta Uzun	Shelf support middle long	i,j,k,l,u,v,w,x	-
	50001075	0PED05	Raf Kolu Sağ Kısa	Shelf support right short	i,j,k,l,u,v,w,x	-
	50001076	0PED06	Raf Kolu Sağ Uzun	Shelf support right long	i,j,k,l,u,v,w,x	-
100	0.203020104.31635	0PED93	Temperli üst raf camı 2Gn	Tempered upper glass shelf 2 Gn	i,u	-
	0.203020104.31636	0PED94	Temperli alt raf camı 2Gn	Tempered lower glass shelf 2 Gn	i,u	-
	0.203020104.31633	0PED91	Temperli üst raf camı 3Gn	Tempered upper glass shelf 3 Gn	j,v	-
	0.203020104.31634	0PED92	Temperli alt raf camı 3Gn	Tempered lower glass shelf 3 Gn	j,v	-
	0.203020104.31631	0PED89	Temperli üst raf camı 4Gn	Tempered upper glass shelf 4 Gn	k,w	-
	0.203020104.31632	0PED90	Temperli alt raf camı 4Gn	Tempered lower glass shelf 4 Gn	k,w	-
	0.203020104.31589	0PED87	Temperli üst raf camı 5Gn	Tempered upper glass shelf 5 Gn	l,x	-
	0.203020104.31590	0PED88	Temperli alt raf camı 5Gn	Tempered lower glass shelf 5 Gn	j,v	-