

# SPARE PARTS CATALOGUE

## FLEXY COMPACT COLD STATIC FUNCTIONS

Code	En. Ch.	Model	Type	Ref.	Brand	Page
322027	00	F10C2AW02S	Flexy Compact Cold Well, Static, 2GN	a	Electrolux	2,3
322028	00	F10C3AW02S	Flexy Compact Cold Well, Static, 3GN	b	Electrolux	2,3
322029	00	F10C4AW02S	Flexy Compact Cold Well, Static, 4GN	c	Electrolux	2,3
322030	00	F11C2AW02S	Flexy Compact Cold Well, Static with Fan, 2GN	d	Electrolux	2,4
322031	00	F11C3AW02S	Flexy Compact Cold Well, Static with Fan, 3GN	e	Electrolux	2,4
322032	00	F11C4AW02S	Flexy Compact Cold Well, Static with Fan, 4GN	f	Electrolux	2,4
322033	00	F14C2AW02S	Flexy Compact Cold S/S Surface, 2GN	g	Electrolux	2,5
322034	00	F14C3AW02S	Flexy Compact Cold S/S Surface, 3GN	h	Electrolux	2,5
322035	00	F14C4AW02S	Flexy Compact Cold S/S Surface, 4GN	i	Electrolux	2,5
322060	00	F10C2KW02S	Flexy Compact Cold Well, Static, 2GN	j	Electrolux	2,3
322061	00	F10C3KW02S	Flexy Compact Cold Well, Static, 3GN	k	Electrolux	2,3
322062	00	F10C4KW02S	Flexy Compact Cold Well, Static, 4GN	l	Electrolux	2,3
322063	00	F11C2KW02S	Flexy Compact Cold Well, Static with Fan, 2GN	m	Electrolux	2,4
322064	00	F11C3KW02S	Flexy Compact Cold Well, Static with Fan, 3GN	n	Electrolux	2,4
322065	00	F11C4KW02S	Flexy Compact Cold Well, Static with Fan, 4GN	o	Electrolux	2,4
322066	00	F14C2KW02S	Flexy Compact Cold S/S Surface, 2GN	p	Electrolux	2,5
322067	00	F14C3KW02S	Flexy Compact Cold S/S Surface, 3GN	q	Electrolux	2,5
322068	00	F14C4KW02S	Flexy Compact Cold S/S Surface, 4GN	r	Electrolux	2,5
322090	00	F10C2AF01W	Flexy Compact Cold Well, Static, 2GN	s	Electrolux	2,3
322091	00	F10C3AF01W	Flexy Compact Cold Well, Static, 3GN	t	Electrolux	2,3
322092	00	F10C4AF01W	Flexy Compact Cold Well, Static, 4GN	u	Electrolux	2,3
322093	00	F11C2AF01W	Flexy Compact Cold Well, Static with Fan, 2GN	v	Electrolux	2,4
322094	00	F11C3AF01W	Flexy Compact Cold Well, Static with Fan, 3GN	w	Electrolux	2,4
322095	00	F11C4AF01W	Flexy Compact Cold Well, Static with Fan, 4GN	x	Electrolux	2,4
322096	00	F14C2AF01W	Flexy Compact Cold S/S Surface, 2GN	y	Electrolux	2,5
322097	00	F14C3AF01W	Flexy Compact Cold S/S Surface, 3GN	z	Electrolux	2,5
322098	00	F14C4AF01W	Flexy Compact Cold S/S Surface, 4GN	aa	Electrolux	2,5

### Page

2,3,4,5

6,7

### Index

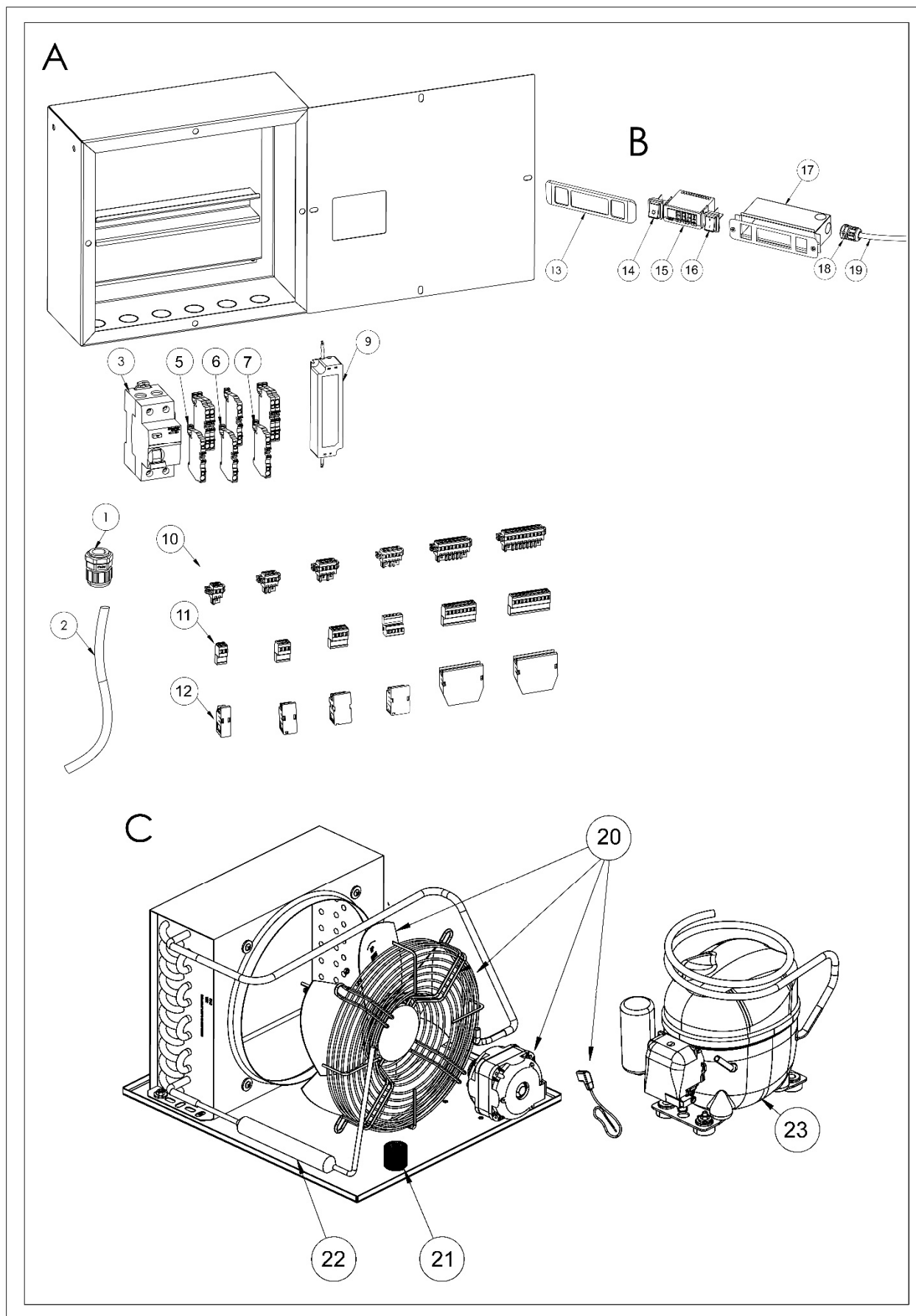
Exploded View

Spare Parts Lists

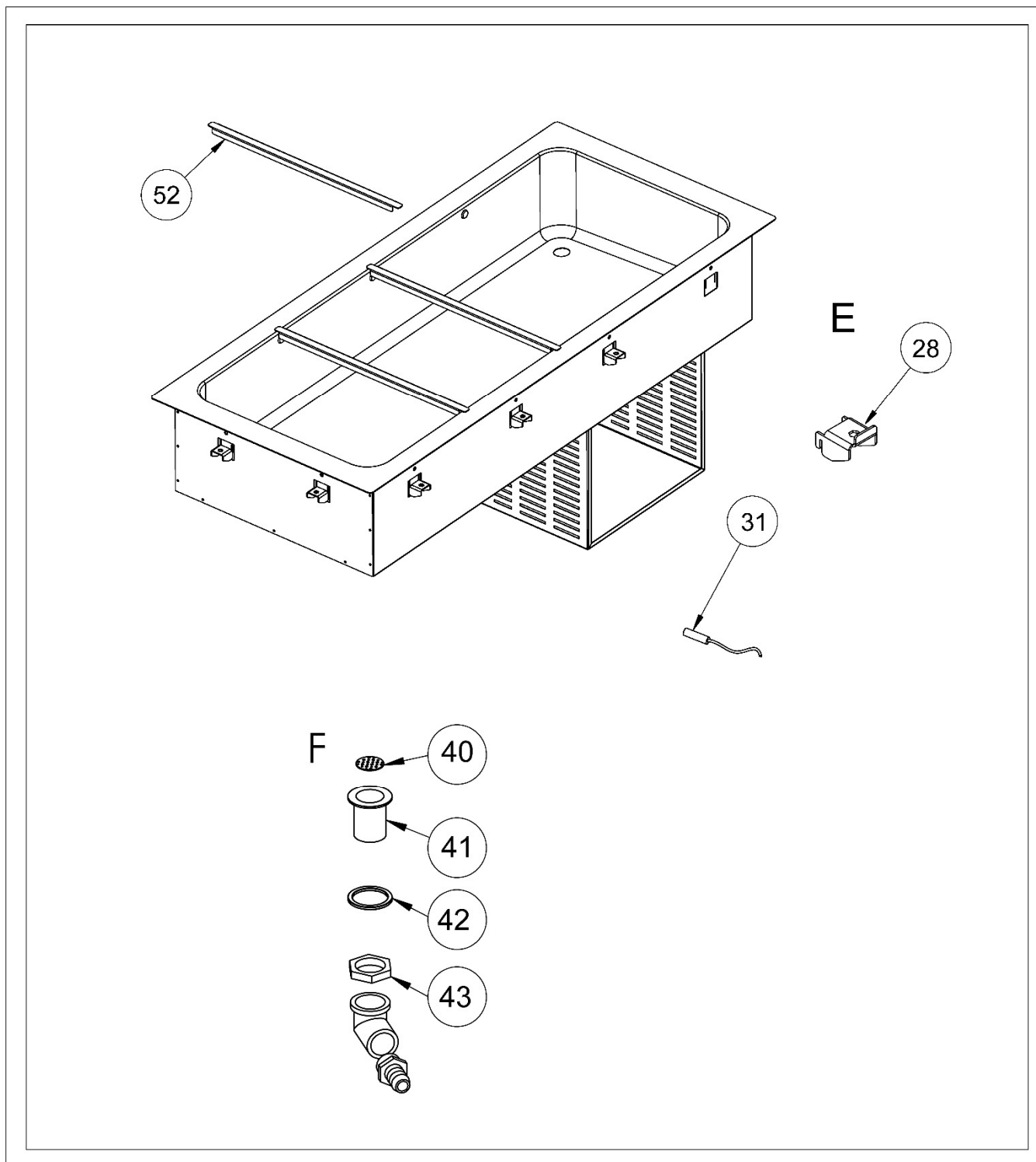
**Brand: Electrolux**

**Country: All**

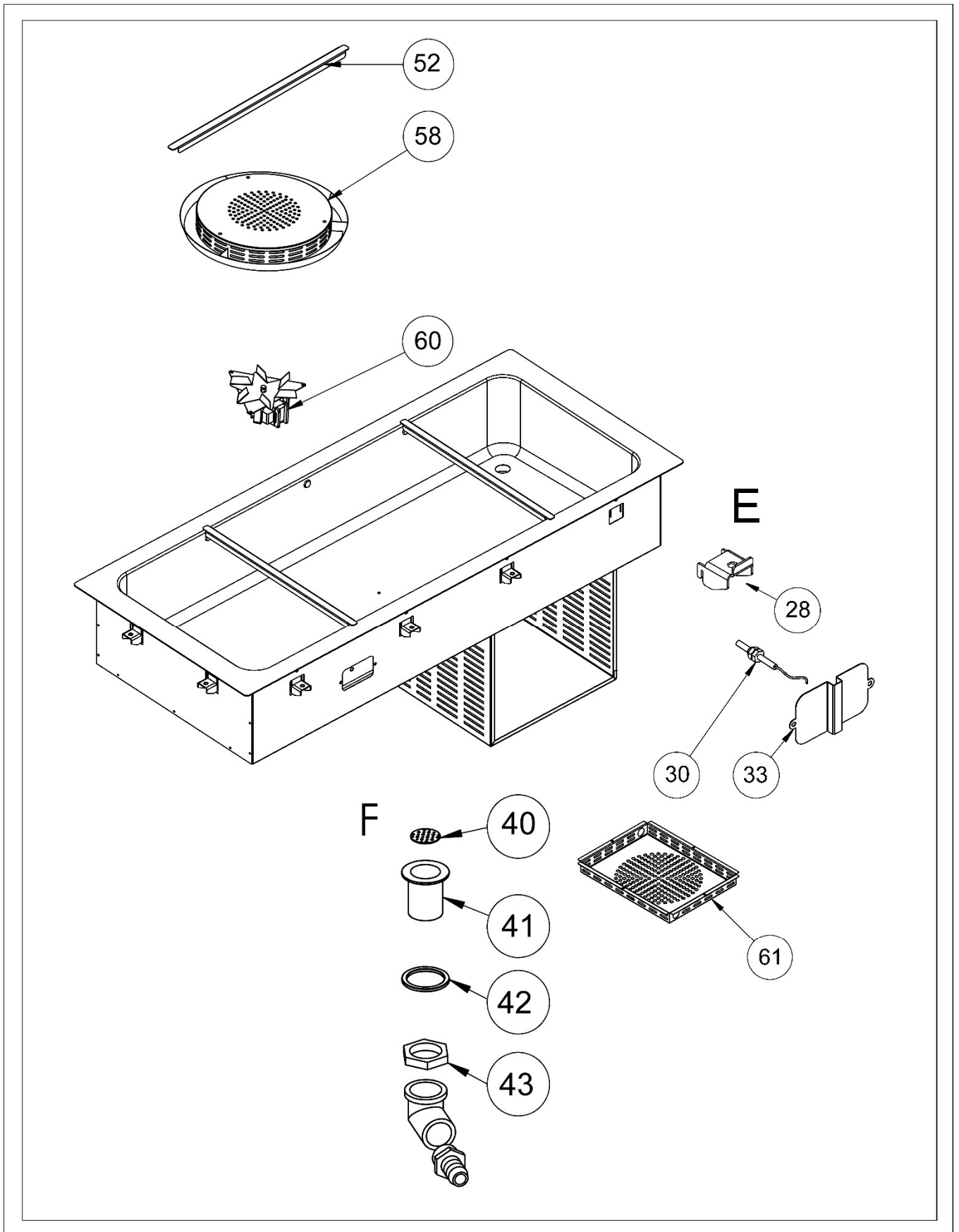
# Cold Units Electrical



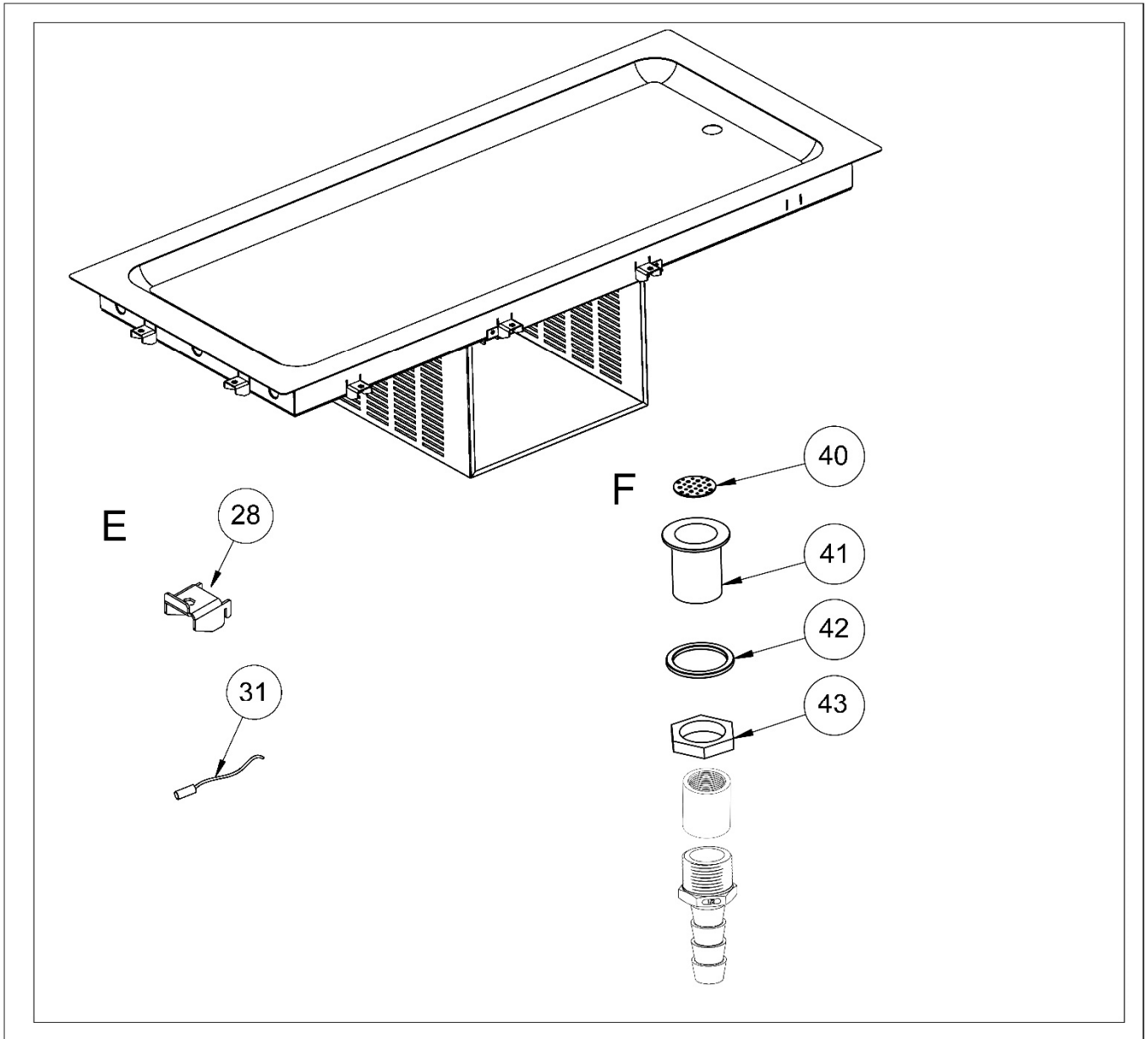
# Cold Well Static



# Cold Well Static with Fan



# Cold S-S Surface



PNC	REF	PNC	REF	PNC	REF	PNC	REF	PNC	REF	PNC	REF
322027	a	322032	f	322061	k	322066	p	322092	u	322097	z
322028	b	322033	g	322062	l	322067	q	322093	v	322098	aa
322029	c	322034	h	322063	m	322068	r	322094	w		
322030	d	322035	i	322064	n	322090	s	322095	x		
322031	e	322060	j	322065	o	322091	t	322096	y		

POS	ALIAS CODE	CODE	AÇIKLAMA	DESCRIPTION	Ref./Notes	V(Vital spare part) W&T (Wear& Tear part) - (non)
A-1	0.205220101.12452	OPEE49	Rakor	Coupling		-
A-2	0.205071201.27672	OPEE09	Pano Güç Kablosu	Board Power Cable		-
A-3	0.205130101.27626	OPEE18	Kaçak Akım Rölesi 1PH	Leakage Current Relay 1PH		-
A-5	0.205080101.27487	OPEE11	Mavi Klemens	Blue Connector		-
A-6	0.205080101.27488	OPEE12	Gri Klemens	Grey Connector		-
A-7	0.205080101.27489	OPEE13	Yeşil Klemens	Green Connector		-
A-9	0.205200101.27640	OPEE46	Led Trafosu	Led Transformer		W&T
A-10	0.205150101.30591	OPEE31	2'li Dişli Pano Tipi Geçme Soket	2 Conductor Female Plug		-
	0.205150101.30588		3'lü Dişli Pano Tipi Geçme Soket	3 Conductor Female Plug		-
	0.205150101.31038	OPEE37	4'lü Dişli Pano Tipi Geçme Soket	4 Conductor Female Plug		-
	0.205150101.31035	OPEE34	10'lu Dişli Pano Tipi Geçme Soket	10 Conductor Female Plug		-
	0.205150101.30576	OPEE19	12'li Dişli Pano Tipi Geçme Soket	12 Conductor Female Plug	d,e,f,m,n,o,v,w,x	-
A-11	0.205150101.30592	OPEE32	2'li Erkek Pano Tipi Geçme Soket	2 Conductor Male Plug		-
	0.205150101.30589		3'lü Erkek Pano Tipi Geçme Soket	3 Conductor Male Plug		-
	0.205150101.31039	OPEE38	4'lü Erkek Pano Tipi Geçme Soket	4 Conductor Male Plug		-
	0.205150101.31036	OPEE35	10'lu Erkek Pano Tipi Geçme Soket	10 Conductor Male Plug		-
	0.205150101.30577	OPEE20	12'li Erkek Pano Tipi Geçme Soket	12 Conductor Male Plug	d,e,f,m,n,o,v,w,x	-
A-12	0.205150101.30593	OPEE33	2'li Erkek Pano Tipi Geçme Soket Kapağı	2 Conductor Male Plug Strain Relief Housing		-
	0.205150101.30590	OPEE30	3'lü Erkek Pano Tipi Geçme Soket Kapağı	3 Conductor Male Plug Strain Relief Housing		-
	0.205150101.31040	OPEE39	4'lü Erkek Pano Tipi Geçme Soket Kapağı	4 Conductor Male Plug Strain Relief Housing		-
	0.205150101.31037	OPEE36	10'lu Erkek Pano Tipi Geçme Soket Kapağı	10 Conductor Male Plug Strain Relief Housing		-
	0.205150101.30578	OPEE21	12'li Erkek Pano Tipi Geçme Soket Kapağı	12 Conductor Male Plug Strain Relief Housing	d,e,f,m,n,o,v,w,x	-
B-13	0.205330101.27618	OPEE51	Dijital Ön Kapağı	Control Panel Front Cover		-
B-14	0.205010101.27622	OPEE03	Aydınlatma Açma-Kapama	Lighting on/off switch		-
B-15	0.205180101.20950	OPEE43	Dijital	Control Panel		-
B-16	0.205010101.27621	OPEE02	Açma-Kapama Düğmesi	On/Off Switch		V, W&T
B-17	1.9904010101.30748	OPEF59	Dijital Montaj Sacı	Control Panel Sheet		-
B-18	0.205220101.12453	OPEE50	Rakor	Coupling		-

PNC	REF	PNC	REF	PNC	REF	PNC	REF	PNC	REF	PNC	REF
322027	a	322032	f	322061	k	322066	p	322092	u	322097	z
322028	b	322033	g	322062	l	322067	q	322093	v	322098	aa
322029	c	322034	h	322063	m	322068	r	322094	w		
322030	d	322035	i	322064	n	322090	s	322095	x		
322031	e	322060	j	322065	o	322091	t	322096	y		

POS	ALIAS CODE	CODE	AÇIKLAMA	DESCRIPTION	Ref./Notes	V(Vital spare part) W&T (Wear& Tear part) - (non)
B-19	1.3501010101.31598	OPEF00	Dijital Kablo	Control Panel Cable	a,b,c,g,h,i,j,k,l ,p,q,r,s,t,u,y,z, aa	-
	1.3501010101.31596	OPEE98			d,e,f,m,n,o,v, w,x	-
C-20	0.211010101.13392	OPEE84	Kondanser Fan Motoru	Condanser Fan Motor		V,W&T
	0.206140101.27569	OPEE73	Fan Koruma Teli	Fan Basket Guard		-
	0.206060101.11160	OPEE59	Kondanser Fan Kanadı	Condanser Fan Wing		V,W&T
	0.205050101.17658	OPEE07	Kondanser Fan Motoru Kablosu	Condanser Fan Motor Cable		V,W&T
C-21	1.3502010101.31687	OPEF36	Soğutma Kılcalı	Capillary Tube	d,m,v	-
	1.3502010101.31688	OPEF37			e,n,w	-
	1.3502010101.31689	OPEF38			f,o,x	-
	1.3502010101.31693	OPEF42			a,j,s	-
	1.3502010101.31694	OPEF43			b,k,t	-
	1.3502010101.31695	OPEF44			c,l,u	-
	1.3502010101.31699	OPEF48			g,p,y	-
	1.3502010101.31700	OPEF49			h,q,z	-
	1.3502010101.31701	OPEF50			i,r,aa	-
C-22	0.206020101.11148	OPEE54	Drayer	Drayer		-
	0.206020101.11149	OPEE55				-
C-23	0.206080101.27278		Kompresör	Compressor	a,d,j,m,s,v	V,W&T
	0.206080101.26953				g,h,p,q,y,z	
	0.206080101.26954				i,r,aa	
	0.206080101.26955				b,c,e,f,k,l,n, o,t,u,w,x	
E-30	0.205180101.19674	OPEE41	Prob Somunlu	Probe with Nut	d,e,f,m,n,o,v, w,x	-
E-31	0.205180101.31041	OPEE45	Prob Silikon Uçlu	Probe with Silicon Tip	a,b,c,g,h,i,j,k,l ,p,q,r,s,t,u,y,z, aa	-
E-33	50000275	OPEC51	Prob Koruma Sacı	Probe Protection Sheet	d,e,f,m,n,o,v, w,x	-
F-40	50000272	OPEC50	Gider Sacı	Drain Sheet		-
F-41	0.236010101.30774	OPEE94	Gider Borusu	Drain Pipe		-
F-42	0.233010101.30771	OPEE93	Gider Contası	Drain Gasket		-
F-43	0.207201301.30758	OPEE76	Gider Somunu	Drain Nut		-
52	50000598	OPEC82	GN Çıtası	Gn Lath	a,b,c,d,e,f,j,k,l ,m,n,o,s,t,u,v, w,x	-
58	50000247	OPEC48	Isıtıcı Koruma Fan Kapağı	Heating Element Protection Cover	d,e,f,m,n,o,v, w,x	-
60	0.211010101.19928		Fan ve Fan motoru	Fan and Fan Motor	d,e,f,m,n,o,v, w,x	V,W&T
61	50000248	OPEC49	Fan Koruma Kapağı	Fan Protection Cover	d,e,f,m,n,o,v, w,x	-