

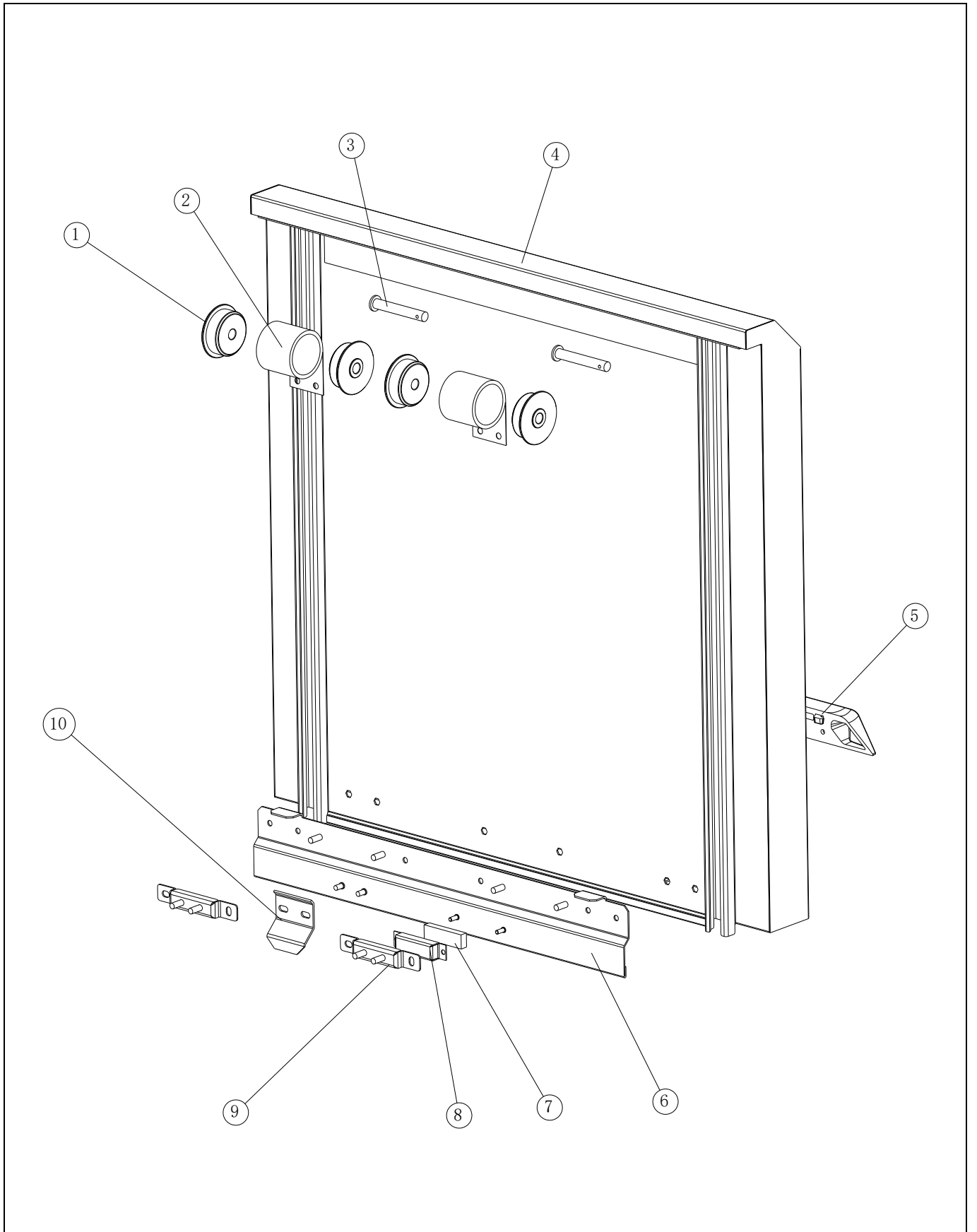
**SINGLE RINSE RACK TYPE DISHWASHER**  
**通道式洗碗机**

Code	Model	Ref	Page	Description	Note
520422	ESR20EL5	a		SINGLE RINSE RACKTYPE DISHWASHER, 200 RACKS/HOUR, ELECTRIC, L>R, 380-415V/50HZ/3N	
520423	ESR20ER5	b		SINGLE RINSE RACK TYPE DISHWASHER,200 RACKS/HOUR, ELECTRIC,R>L,380-415V/50HZ/3N	
520424	ESR20EL6	c		SINGLE RINSE RACK TYPE DISHWASHER,200 RACKS/HOUR, ELECTRIC,L>R,380-415V/60HZ/3N	
520425	ESR20ER6	d		SINGLE RINSE RACK TYPE DISHWASHER,200 RACKS/HOUR, ELECTRIC,R>L,380-415V/60HZ/3N	
520426	ESR20EL3TL	e		SINGLE RINSE RACK TYPE DISHWASHER,200 RACKS/HOUR, 71°C THERMAL LABEL, ELECTRIC,L>R,220-240V/60HZ/3	
520427	ESR20ER3TL	f		SINGLE RINSE RACK TYPE DISHWASHER,200 RACKS/HOUR, 71°C THERMAL LABEL, ELECTRIC,R>L,220-240V/60HZ/3	
520428	ESR20EL5TL	g		SINGLE RINSE RACK TYPE DISHWASHER,200 RACKS/HOUR,71°C THERMAL LABEL,ELECTRIC,L>R,380-415V/50HZ/3N	
520429	ESR20ER5TL	h		SINGLE RINSE RACK TYPE DISHWASHER,200 RACKS/HOUR,71°C THERMAL LABEL,ELECTRIC,R>L,380-415V/50HZ/3N	
888000	NMDSRE5	k		MEDIUM HOT AIR BLOWER WITHOUT DOOR FOR SINGLE RINSE RACK TYPE DISHWASHER, ELECTRIC,570MM, 4.5KW,380-415V/50HZ/3N	
888001	NMDSRE6	l		MEDIUM HOT AIR BLOWER WITHOUT DOOR FOR SINGLE RINSE RACK TYPE DISHWASHER, ELECTRIC,570MM, 4.5KW,380-415V/60HZ/3N	
888002	NMDSRE3	m		MEDIUM HOT AIR BLOWER WITHOUT DOOR FOR SINGLE RINSE RACK TYPE DISHWASHER, ELECTRIC,570MM, 4.5KW,220-240V/60HZ/3	

Index	目录	Page
Door Assembly	门组件	3-4
Electrical Box Assembly	电箱组件	5-6
Electrical Element Assembly	电器元件组件	7-10
Wash System Assembly	清洗系统组件	11-12
Hood Assembly	上罩组件	13-14
Transmission Assembly	传动组件	15-16
Rinse Arm Assembly	喷淋臂组件	17-18
Basement Assembly	底座组件	19-20
Drain Assembly	排水组件	21-22
Medium Dryer Assembly	中性烘干组件	23-25
Water Inlet Assembly	进水管路组件	26-28

## UPDATE RECORD

V1.4_04.2020	Delete Nr9, insert Nr 26.27	Page 13-14
	Delete Nr26, insert Nr 27	Page 17-18
	Nr 11 replaced by SPR204	Page 20
	Nr 12 replaced by SPR205	Page 22
V1.5_08.2020	520426/520427 ADD THERMAL LABEL DESCRIPTION	Page 1
	Insert 220V60Hz electrical box,update former electrical box	Page 6-10
	Update index page number	Page 1
V1.6_04.2021	Update CMT125/CMT130/CMT133 to CMT525/CMT527/CMT528	Page 14



**Inlet Hood Assembly**  
**进口上罩组件**

From Ser. Nr...  
Up to Ser. Nr...

@  
Page:3

Ed. 1.0 11.2019

**Doc No: PM00604**

**RACK TYPE DISHWASHER**  
通道式洗碗机

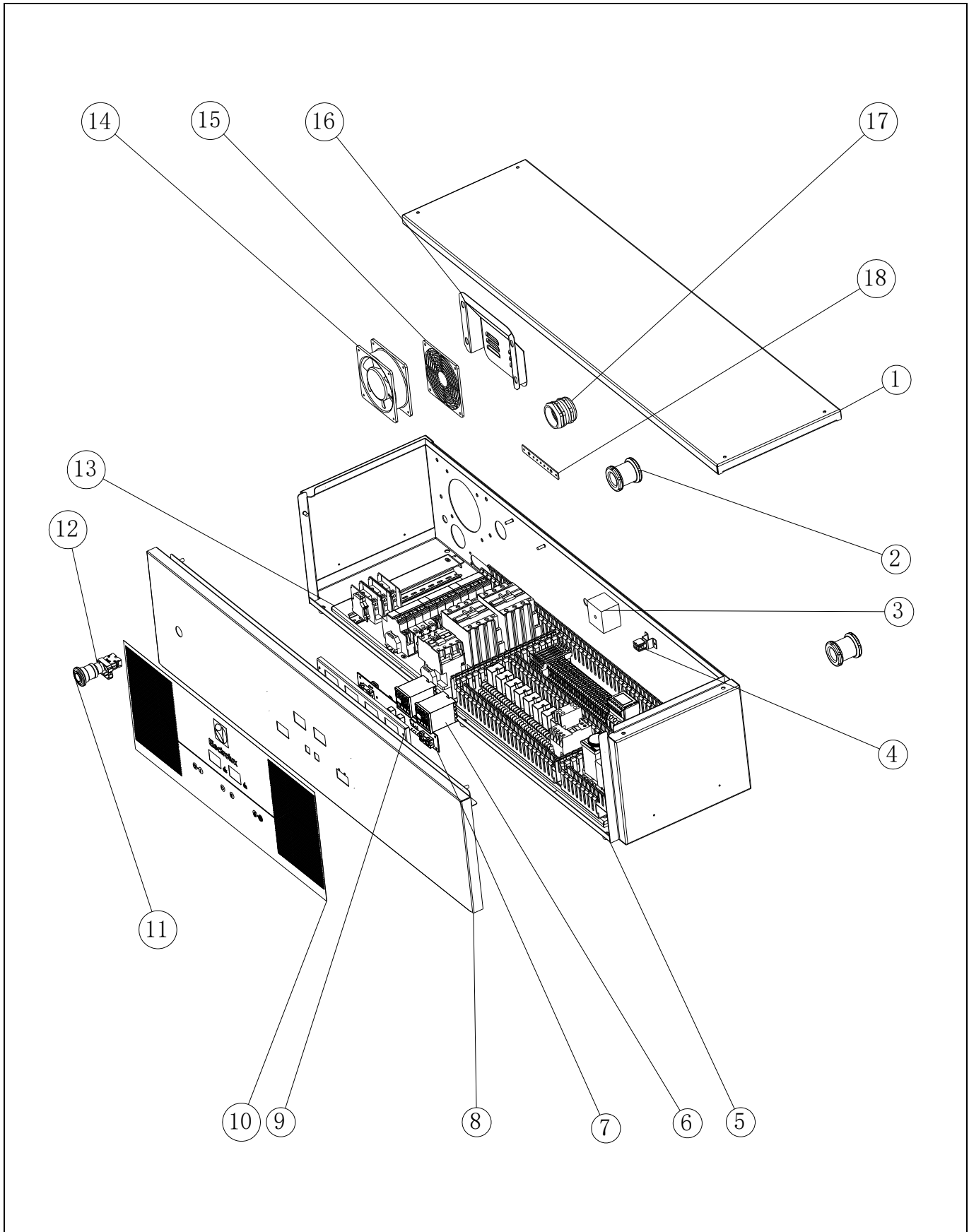
Pos.	Spare part Code	ANC	Chinese description	Description	Ref./Notes	V	W & T	S
1	0VT890	CO01241	FEG 门卷簧芯轴	FEG door spring core				
2	0VTA29	CO01240	FEG 门卷簧	FEG door coil spring				
3	0VT136	CO00024	卷簧轴	Coil spring				
4	0VTA3A	SPR187	门 (双层)	Door (double layer)				
5	0L4047	54864DL	门手柄	Door handle				
6	0VTA3B	SPR188	支架	support				
7	0VT575	CS00111	磁铁	magnet				
8	0VTA3C	CMU033	门磁罩	Door cover				
9	0VT892	SPF242	弹簧固定架	Spring holder				
10	0VTA3D	CMT116	拉手撞头	Hand pull head				

**Inlet Hood Assembly**  
进口上罩组件

V = Vital spare part/核心备件  
W&T = Wear and Tear/易损件

S = Suggested/建议更换备件  
Bold=last change / 粗体=最后更改

From Ser. Nr... Up to Ser. Nr...	Page:4	Ed. 1.0 11.2019	<b>Doc No: PM00604</b>
-------------------------------------	--------	-----------------	------------------------



**Electrical Box Assembly**  
**电箱组件**

From Ser. Nr...  
 Up to Ser. Nr...

**RACK TYPE DISHWASHER**  
**通道式洗碗机**

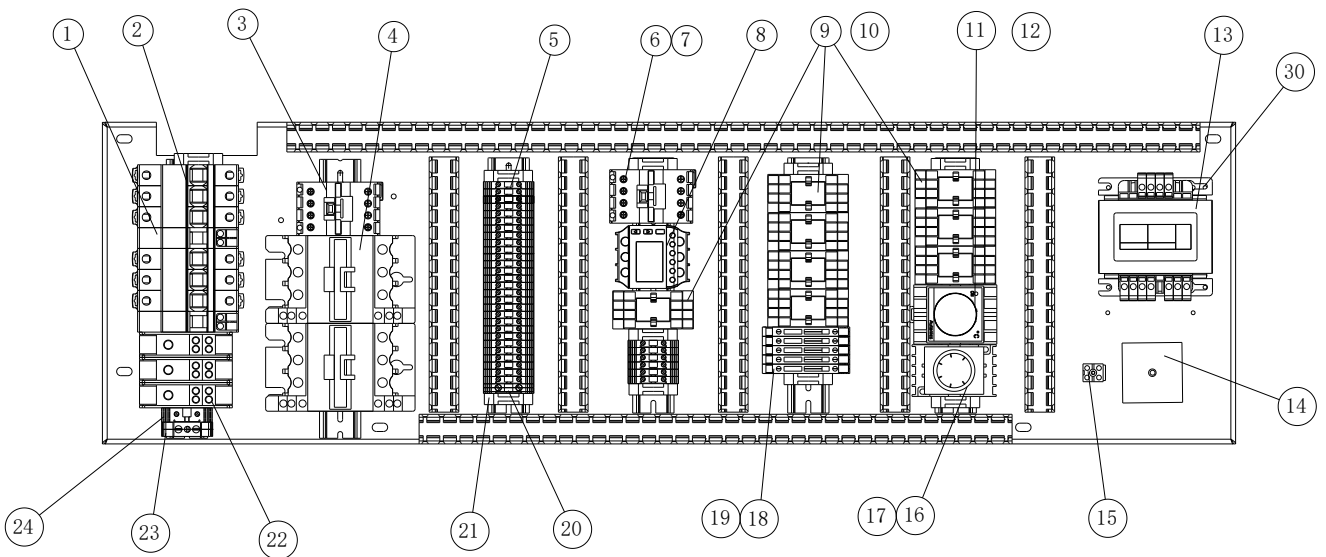
Pos.	Spare part Code	ANC	Chinese description	Description	Ref./Notes	V	W & T	S
1		CMT494	电箱上盖板	Electric box upper cover				
2		CO00202	T1D 穿线管	T1D threading tube				
3	0VT491	CE00017	延时模块	Delay module	e,f			
4	0VT088	CE00077	接线端子	Terminals	e,f			
5		SPR208	电箱底座焊接(220V 60Hz)	Electric box base welding (220V 60Hz)	e,f			
5	0VTA3M	SPR189	电箱底座焊接	Electric box base welding	a,b,c,d,g,h			
6	0VT339	CE00596	欧姆龙温度控制器	Omron temperature controller		X		
7	0VTA3I	CE00867	伊莱克斯通道机按键电路板	Electrolux channel machine button circuit board		X		
8	0VTA3P	CMF534	电箱 PCB 安装板	Electric box PCB mounting board				
9	0VTA3N	SPR190	电箱前面板焊接	Front panel of electric box				
10	0VTA9G	PM00592	通道机操作面板贴膜(Electrolux)	Membrane				X
11	0VT208	CE00070	紧急开关 (急停开关)	Emergency switch (emergency stop switch)		X		
12	0VT225	CE00232	触头	Contact				
13		CMT529	电气元器件安装板 (220v 60Hz)	Electrical components mounting board (220v 60Hz)	e,f			
13	0VTA3O	CMT507	电气元件安装板	Electrical component mounting board	a,b,c,d,g,h			
14	0VT252	CE00534	轴流风机	Axial Fan				
15		LC00511	防水轴流风机网罩	Waterproof axial fan net cover				
16	0VTA3Q	CMWF807	电箱风机防护罩	Electric box fan protective cover				
17		CE00543	金属连体单孔式电缆固定头	Metal one-piece single-hole cable fixing head	e,f			
17	0VT147	LC00006	固定头-软线固定头/50	Cabel fixed	a,b,c,d,g,h			
18	0VTBBE	CE00662	接地排	Ground bar				

**Electrical Box Assembly**  
**电箱组件**

**V = Vital spare part/核心备件**  
**W&T = Wear and Tear/易损件**

**S = Suggested/建议更换备件**  
**Bold=last change / 粗体=最后更改**

From Ser. Nr... Up to Ser. Nr...	Page:6	Ed. 1.0 11.2019	<b>Doc No: PM00604</b>
-------------------------------------	--------	-----------------	------------------------



**Electrical Element Assembly**  
**电器元件组件(380V50Hz)**

From Ser. Nr...  
 Up to Ser. Nr...

@  
 Page:7

Ed. 1.0 11.2019

**Doc No: PM00604**

**RACK TYPE DISHWASHER**  
**通道式洗碗机**

Pos.	Spare part Code	ANC	Chinese description	Description	Ref./Notes	V	W & T	S
1	0VTA3L	CE0093Y	分励脱扣模块	SHUNT TRIP MODULE				
2	0VTA3K	CE0092Y	交流接触器	AC CONTACTOR				
3	0VT515	CE00804	交流接触器	AC contactor	a,b,g,h	X		
3	0VTA48	CE00810	交流接触器	AC contactor	c,d,	X		
4	0VTA3G	CE00802	交流接触器	AC contactor	a,b,g,h	X		
4	0VTA46	CE00807	交流接触器	AC contactor	c,d,	X		
5	0VT052	CE00073	接线端子	Terminals				
6	0VT450	CE00803	交流接触器	AC contactor	a,b,g,h	X		
6	0VTA47	CE00809	交流接触器	AC contactor	c,d,	X		
7	0VTA3H	CE00818	辅助触点模块	Auxiliary contact module		X		
8	0VTA3F	CE00503	巨龙电机综合保护器	Dragon-Motor-Integrated-Protector		X		
8	0VT050	CE00214	电机综合保护器	Motor Integrated Protector		X		
9	0VT017	CE00007	中间继电器	Intermediate relay				X
10	0VT114	CE00003	中间继电器座	Intermediate relay seat				X
11	0VT524	CE00835	温度控制器	Temperature Controller		X		
12	0VT463	CE00026	温度控制器座	Temperature controller				
13	0VT523	CE00829	控制变压器	Control transformer		X		
14	0VT491	CE00017	延时模块	Delay module				
15	0VT088	CE00077	接线端子	Terminals				
16	0VT399	CE00045	时间继电器	Time Relay				X
17	0VT087	CE00044	时间继电器座	Time relay				X
18	0VT216	CE00249	接线端子(保险丝端子)	Terminal block (fuse terminal)				
19	0VTA3J	LC01216	保险丝	Fuse		X		
20	0VT005	CE00078	接线端子	Terminals				
21	0VT048	CE00071	接线端子固定块	Terminal block fixing block				
22	0VT175	CE00074	接线端子	Terminals				
23	0VT027	CE00076	接线端子	Terminals				
24	0VTA3E	CE00075	接线端子	Terminals				

**Electrical Element Assembly**  
**电器元件组件(380V50Hz)**

**V = Vital spare part/核心备件**  
**W&T = Wear and Tear/易损件**

**S = Suggested/建议更换备件**  
**Bold=last change / 粗体=最后更改**

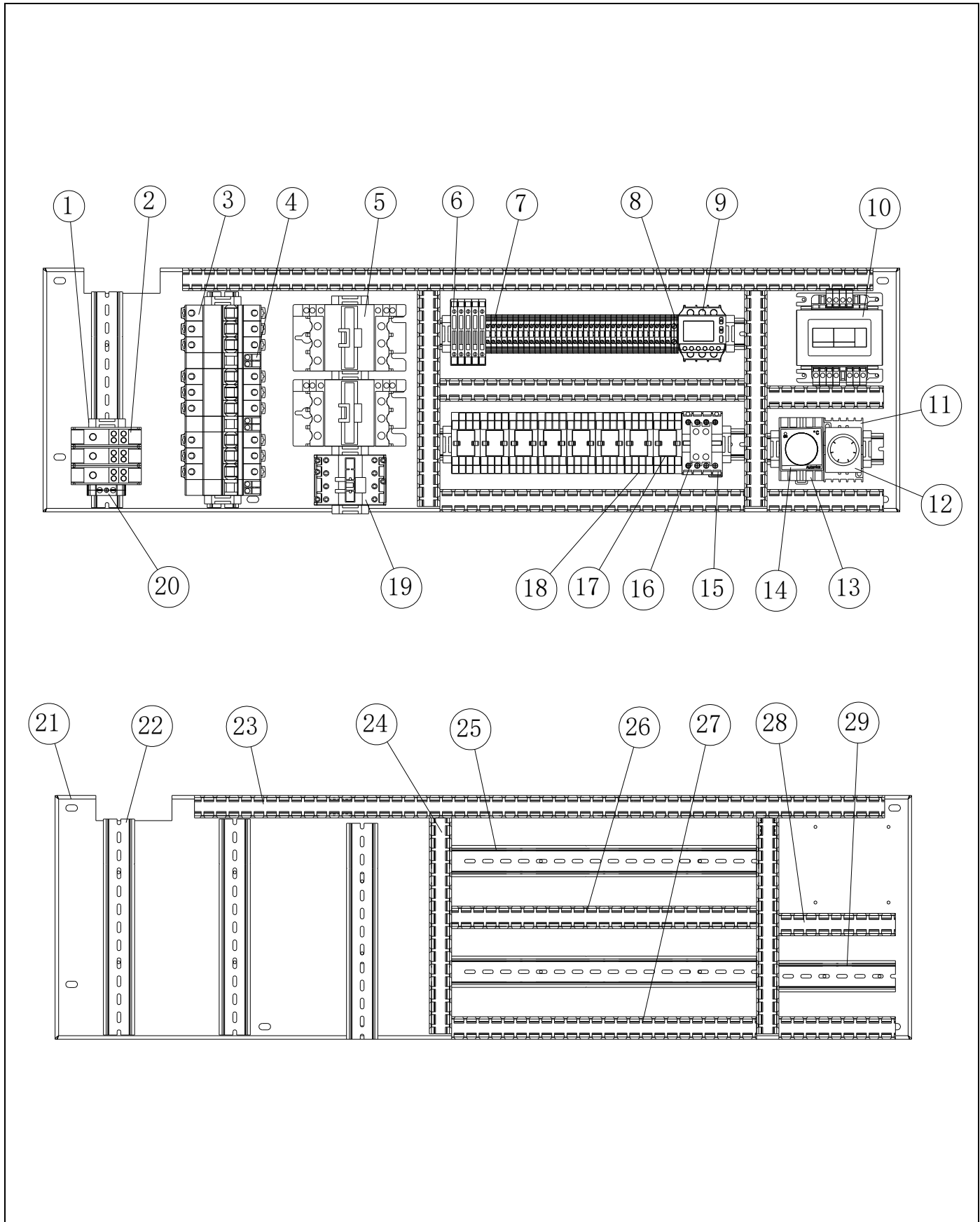
From Ser. Nr...  
Up to Ser. Nr...

Page:8

Ed. 1.0 11.2019

**Doc No: PM00604**





**Electrical Element Assembly**  
**电器元件组件(220V60Hz)**

From Ser. Nr...  
 Up to Ser. Nr...

**RACK TYPE DISHWASHER**  
**通道式洗碗机**

Pos.	Spare part Code	ANC	Chinese description	Description	Ref./Notes	V	W & T	S
1	0VT048	CE00071	接线端子固定块	Terminal fixing block	e,f			
2	0VT175	CE00074	接线端子	terminal	e,f			
3	0VTA3K	CE0092Y	断路器	The circuit breaker	e,f			
4	0VTA3L	CE0093Y	分励脱扣模块	Shunt trip module	e,f			
5	0VT519	CE00816	交流接触器	Ac contactor	e,f			
6	0VT216	CE00249	接线端子(保险丝端子)	Terminal (fuse terminal)	e,f			
7	0VT052	CE00073	接线端子	terminal	e,f			
8	0VT005	CE00078	接线端子	terminal	e,f			
9	0VT050	CE00214	电动机保护器	Motor protector	e,f			
10	0VT523	CE00829	控制变压器	Control transformer	e,f			
11	0VT087	CE00044	时间继电器座	Time relay stand	e,f			
12	0VT399	CE00045	时间继电器	Time relay	e,f			
13	0VT463	CE00026	温度控制器座	Temperature controller seat	e,f			
14	0VT524	CE00835	温度控制器	Temperature controller	e,f			
15	0VTA47	CE00809	交流接触器	Ac contactor	e,f			
16	0VTA3H	CE00818	辅助触点模块	Auxiliary contact module	e,f			
17	0VT017	CE00007	中间继电器	relay	e,f			
18	0VT114	CE00003	中间继电器座	relay base	e,f			
19	0VTA9P	CE00812	交流接触器	Ac contactor	e,f			
20	0VT027	CE00076	接线端子	terminal	e,f			
21	0VT048	CMT529	电气元器件安装板 (220v 60Hz)	Installation board (220V 60Hz)	e,f			
22	0VT175	XMR020	电器安装导轨 C45x240mm	guide C45x240mm	e,f			
23	0VTA3K	XMR022	走线槽 6025*770	Trunking 6025 * 770	e,f			
24	0VTA3L	XMR023	走线槽 6025*240	Trunking 6025 * 240	e,f			
25	0VT519	XMR027	电器安装导轨	Electrical installation guide	e,f			
26	0VT216	XMR024	走线槽 6025*340	Trunking 6025 * 340	e,f			
27	0VT052	XMR025	走线槽 5025*340	Trunking 5025 * 340	e,f			
28	0VT005	XMR026	走线槽 5025*130	Trunking 5025 * 130	e,f			
29	0VT050	XMR028	电器安装导轨	Electrical installation guide	e,f			

**Electrical Element Assembly**  
**电器元件组件(220V60Hz)**

**V = Vital spare part/核心备件**  
**W&T = Wear and Tear/易损件**

**S = Suggested/建议更换备件**

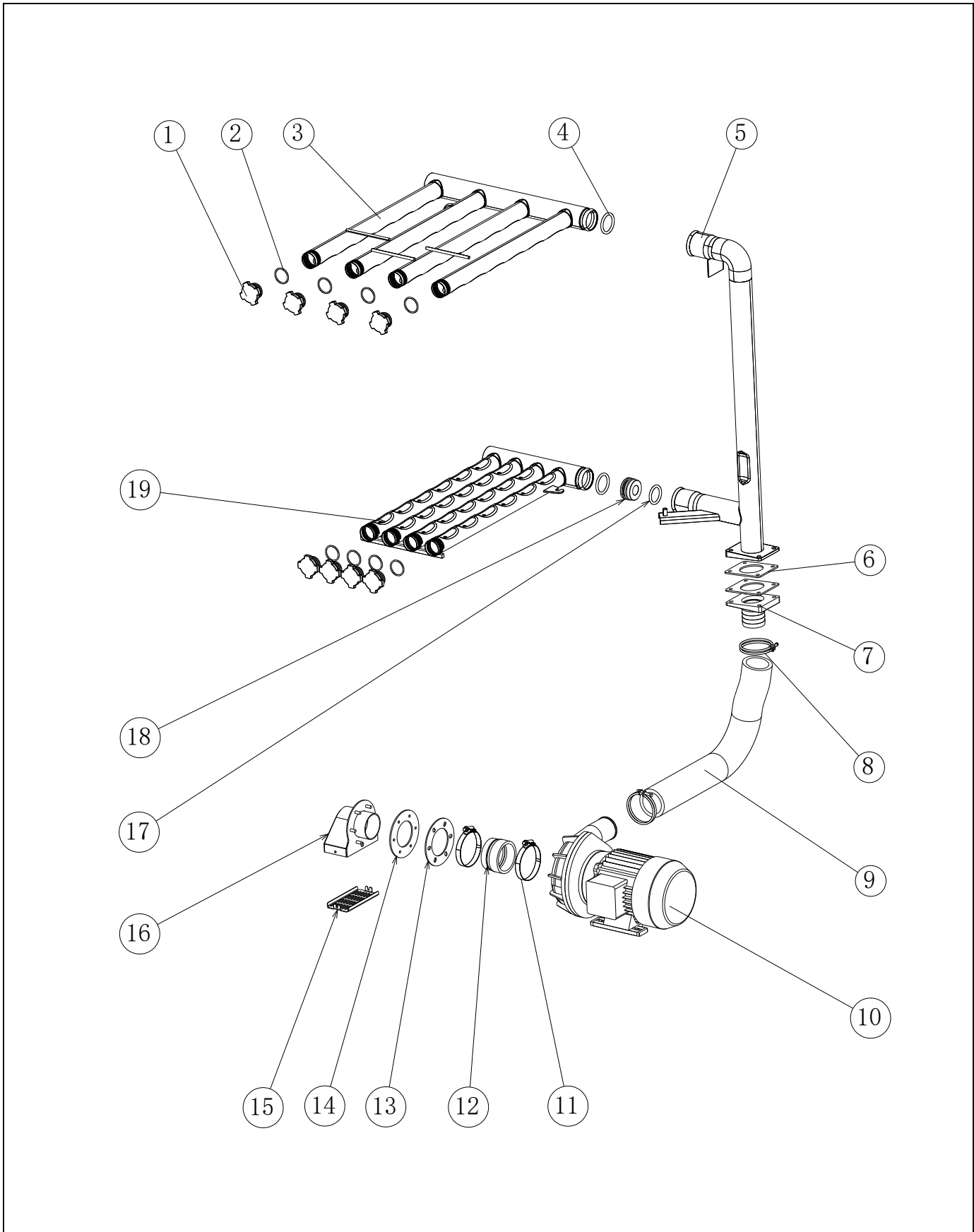
**Bold=last change / 粗体=最后更改**

From Ser. Nr...  
Up to Ser. Nr...

Page:10

Ed. 1.0 11.2019

**Doc No: PM00604**



**Wash System Assembly**

清洗系统组件

From Ser. Nr...  
Up to Ser. Nr...

@  
Page:11

Ed. 1.0 11.2019

**Doc No: PM00604**

**RACK TYPE DISHWASHER**  
**通道式洗碗机**

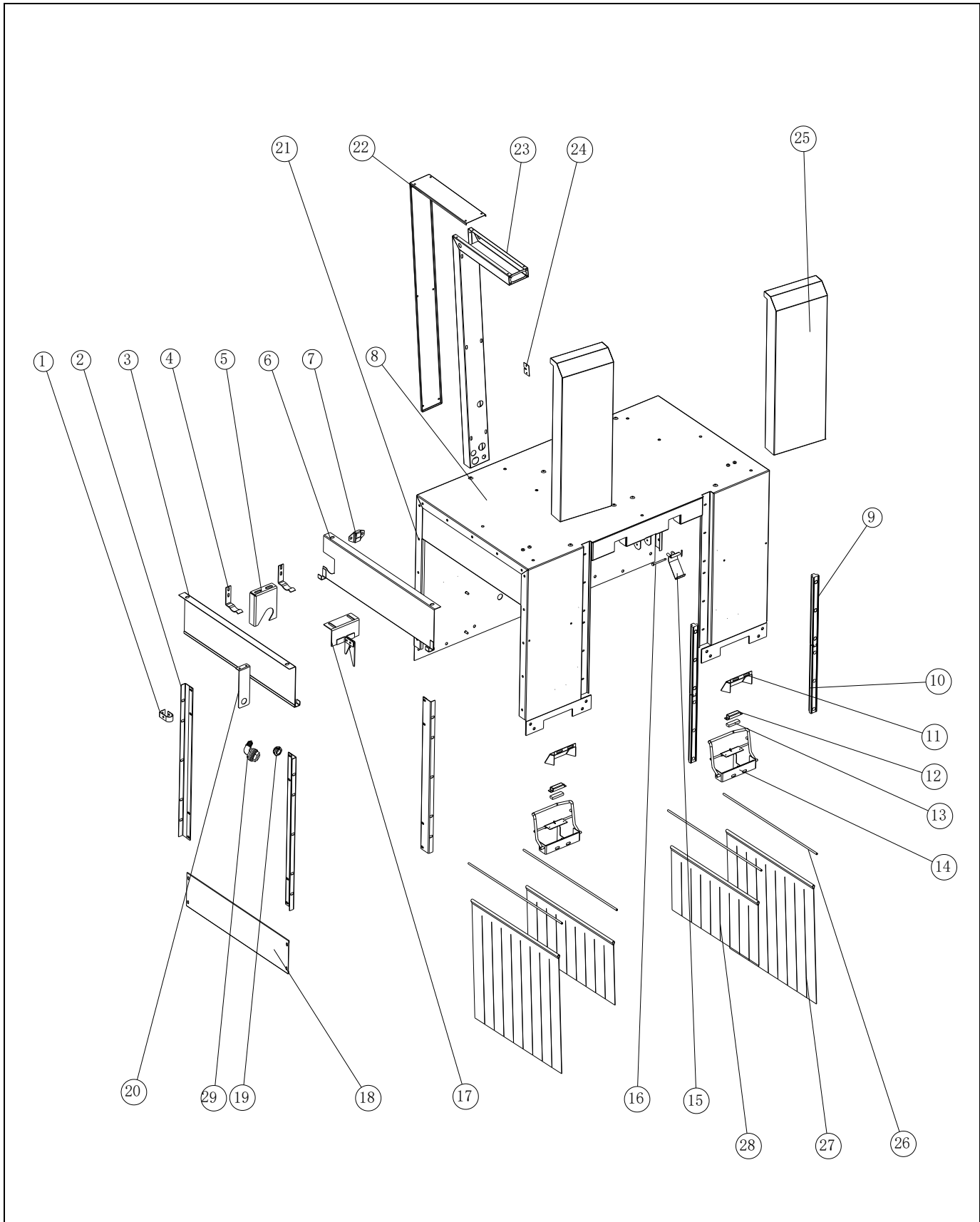
Pos.	Spare part Code	ANC	Chinese description	Description	Ref./Notes	V	W & T	S
1	0VT075	CP00026	喷淋闷头 (闷盖)	Spraying head (small cover)		X		
2	0VT034	CP00148	O 型圈 EPDM70/32.5*2.65	O-ring EPDM70/32.5*2.65			X	
3	0VT379	CO00384	(SP)R 上排管总成 (上喷管)	(SP)R upper tube assembly (upper nozzle)				
4	0VT056	CP00153	O 型圈 EPDM70/41.2*5.3	O-ring EPDM70/41.2*5.3			X	
5	0VT484	CO00386	(SP)R 主管道总成 (立管)	(SP)R main pipe assembly (riser)				
6	0VT431	CP00132	密封垫	Seal			X	
7	0VTA1J	SPR145	进水法兰	Inlet flange				
8	0VTA5B	CS00428	304 不锈钢钢丝喉箍	304 stainless steel wire hose clamp				
9	0VTA1I	CP00374	右主洗软管	Right main wash hose				
10	0VT443	CE00421	电机(主洗泵)	Motor (main wash pump)	a,b,g,h	X		
10	0VTA45	CE00685	FIR 60Hz 水泵	FIR 60Hz water pump	c,d,e,f	X		
11		CS00445	喉箍	Hose clamp				
12	0VTA1O	CP00375	连接软管	Connecting hose				
13	0VTA1R	CMWF159	法兰	Flange				
14	0VTA1P	CP00388	抽水口密封垫	Pumping gasket			X	
15	0VTA1S	CMMR097	泵吸口滤网	Pump suction filter				
16		SPR031	直角接头	Right angle joint				
17	0VT035	CP00198	O 型圈 EPDM70/34.29*5.33	O-ring EPDM70/34.29*5.33			X	
18	0VT567	CO01114	节流片 φ22	Throttle φ22				
19	0VT406	CO00385	(SP)R 下排管总成 (下喷管)	(SP)R lower tube assembly (lower nozzle)				

**Wash System Assembly**  
**清洗系统组件**

**V = Vital spare part/核心备件**  
**W&T = Wear and Tear/易损件**

**S = Suggested/建议更换备件**  
**Bold=last change / 粗体=最后更改**

From Ser. Nr... Up to Ser. Nr...	Page:12	Ed. 1.0 11.2019	<b>Doc No: PM00604</b>
-------------------------------------	---------	-----------------	------------------------



**Hood Assembly**  
**上罩组件**

**V = Vital spare part/核心备件**  
**W&T = Wear and Tear/易损件**

**S = Suggested/建议更换备件**  
**Bold=last change / 粗体=最后更改**

From Ser. Nr...  
Up to Ser. Nr...

@  
Page:13

Ed. 1.0 11.2019

**Doc No: PM00604**

**RACK TYPE DISHWASHER**  
**通道式洗碗机**

Pos.	Spare part Code	ANC	Chinese description	Description	Ref./Notes	V	W & T	S
1	0VTA1H	SPR025	抱箍	clamp				
2	0VTA1E	CMT109	角尺板	Square board				
3	0VTA1D	SPR011	挡水板	Flap				
4	0VTA08	CMT117	托架	bracket				
5	0VTA07	CMT118	牵引架	Traction frame				
6	0VTA1C	SPR010	挡水板	Flap				
7	0VT753	SPR178	进水口	water intake				
8	0VTA28	SPR186	上罩	Upper cover				
9	0VT529	CP00024	导轨-2	Guide rail-2				
10	0VT530	CP00028	导轨-1	Guide rail-1				
11	0VTA1M	CMT114	罩壳	Cover				
12		CMNU033	干燥剂分配器固定座	Desiccant dispenser holder				
13	0VT575	CS00111	磁铁	magnet				
14	0VT603	SPR176	限位架	Limit frame				
15	0VTA1B	SPR012	门钩	Door hook				
16	0VT145	CO00012	门销长	Door pin length				
17	0VT750	SPR119	托架	bracket				
18	0VT718	CMT110	挡水板	Flap				
19a	0VT812	CP00047	闷头	Bulk head				
20	0VT996	CMT132	支架	support				
21		CP00419	闷头	Bulk head				
22	0VTA41	CMT126	盖	cover				
23	0VTA40	CMT125	槽	groove				
23		CMT525	槽	groove				
24	0VTA42	CMT127	盖板	Cover				
25	0VTA3R	SPR193	围板焊接	Coaming welding				
26	0VT997	CMT308	门帘轴	Curtain shaft				
27	0VT294	CP00119	挡水帘长 (新材料)	Water curtain long (new material)			X	
28	0VT354	CP00120	挡水帘短 (新材料)	Water curtain short (new material)			X	

**Hood Assembly**  
**上罩组件**

**V = Vital spare part/核心备件**  
**W&T = Wear and Tear/易损件**

**S = Suggested/建议更换备件**  
**Bold=last change / 粗体=最后更改**

From Ser. Nr... Up to Ser. Nr...	Page:14	Ed. 1.0 11.2019	<b>Doc No: PM00604</b>
-------------------------------------	---------	-----------------	------------------------

**RACK TYPE DISHWASHER**  
通道式洗碗机

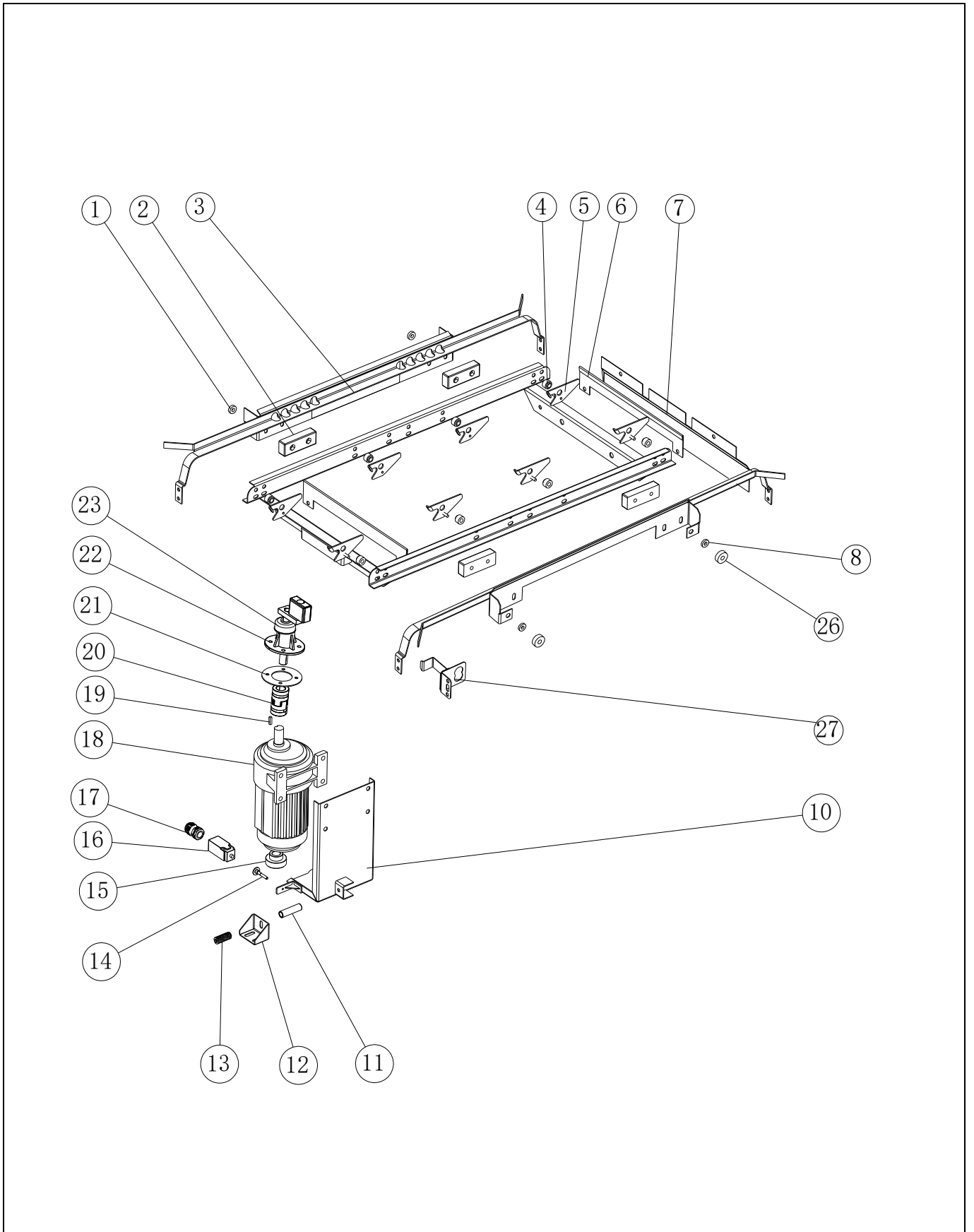
Pos.	Spare part Code	ANC	Chinese description	Description	Ref./Notes	V	W & T	S
29		CS00484	通道机药剂进液口	Dispenser inlet				

**Hood Assembly**  
上罩组件

V = Vital spare part/核心备件  
W&T = Wear and Tear/易损件

S = Suggested/建议更换备件  
Bold=last change / 粗体=最后更改

From Ser. Nr... Up to Ser. Nr...	Page:15	Ed. 1.0 11.2019	<b>Doc No: PM00604</b>
-------------------------------------	---------	-----------------	------------------------



**Transmission Assembly**

传动组件

From Ser. Nr...  
Up to Ser. Nr...

@  
Page:16

Ed. 1.3 04.2020

**Doc No: PM00604**



**RACK TYPE DISHWASHER**  
**通道式洗碗机**

Pos.	Spare part Code	ANC	Chinese description	Description	Ref./Notes	V	W & T	S
1	0VT116	CO00162	垫圈厚的	Thick gasket				
2	0VT111	CP00021	滑块 (长导块)	Slider (long guide block)			X	
3	0VTA1K	SPR015	导轨	Guide				
4	0VT432	CO00142	定位套	Positioning sleeve				
5	0VT142	SPR013	传动脚	Drive foot				
5	0VT143	SPR014	传动脚-对称件	Drive foot-opposite				
6	0VT720	CMT112	挡板	Baffle				
7	0VT719	CMT111	挡板	Baffle				
8	0VT094	CO00011	垫圈薄的	Thin gasket				
9	0VTA1L	CMT436	喷淋管支架	Spray tube bracket				
10	0VTA1W	SPR026	机座	Machine base				
11	0VT275	CO00010	固定套	Fixing sleeve				
12	0VTA5E	CMT128	支承	Support				
13	0VT560	CO00283	弹簧	Spring				
14	0VT974	SPR028	撞头	Hit the head				
15	0VT213	CO00042	支承	Support				
16	0VT242	CE00021	限位开关 (防撞开关)	Limit switch (anti-collision switch)		X		
17	0VTA1V	CE00848	电缆固定头	Cable fixing head				
18	0VT038	CE00196	传动电机	Drive motor		X		
19	0VT121	CS00275	方销	Square sales				
20	0VT360	CO00281	传动联轴器	Transmission coupling				
21	0VT166	CP00139	密封垫	Seal			X	
22	0VT397	CO00650	传动总成	Transmission assembly			X	
23	0VT460	CP00199	传动密封罩 (防水罩)	Transmission seal cover (waterproof cover)				
24	0VT065	SPR081	移动架	Mobile rack				
25	0VT086	CP00027	导块	Slide block			X	
26		<b>CO00001</b>	<b>垫圈</b>	<b>Gasket</b>				
27		<b>SPR206</b>	<b>通道机导轨焊接 2</b>	<b>ERT guide welding2</b>				

**Transmission Assembly**  
**传动组件**

**V = Vital spare part/核心备件**  
**W&T = Wear and Tear/易损件**

**S = Suggested/建议更换备件**

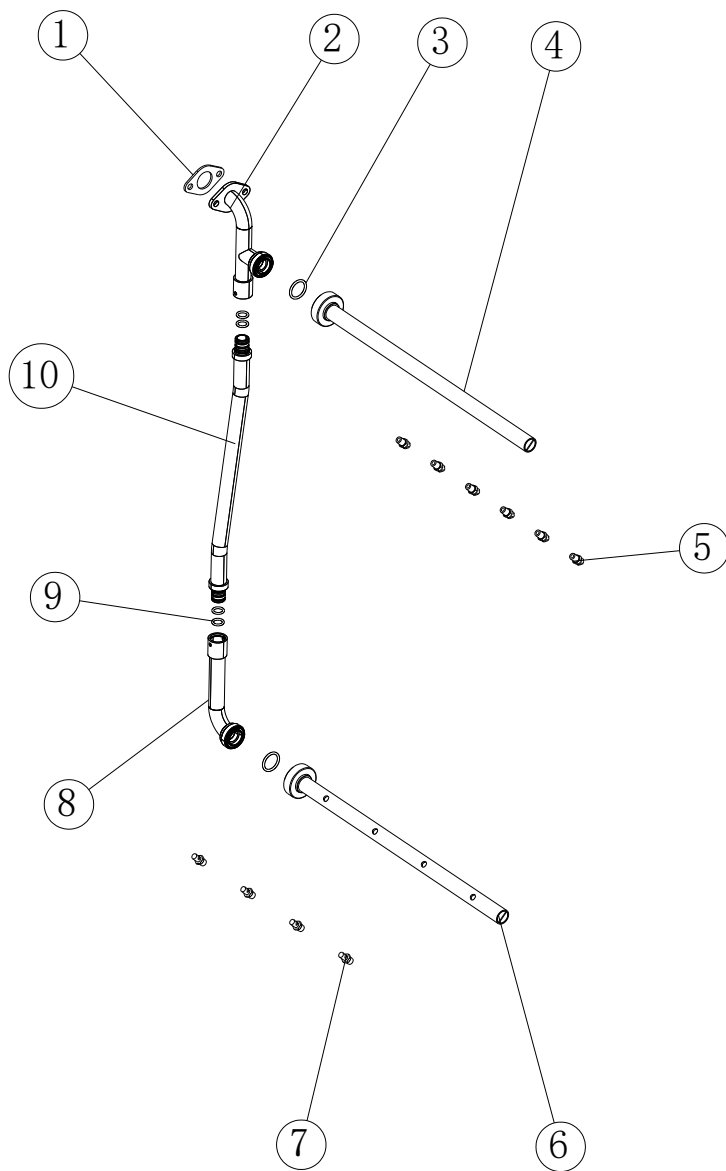
**Bold=last change / 粗体=最后更改**

From Ser. Nr...  
Up to Ser. Nr...

Page:17

Ed. 1.4 04.2020

**Doc No: PM00604**



### Rinse arm Assembly

### 喷淋臂组件

From Ser. Nr...  
Up to Ser. Nr...

@  
Page:18

Ed. 1.0 11.2019

Doc No: PM00604

**RACK TYPE DISHWASHER**  
通道式洗碗机

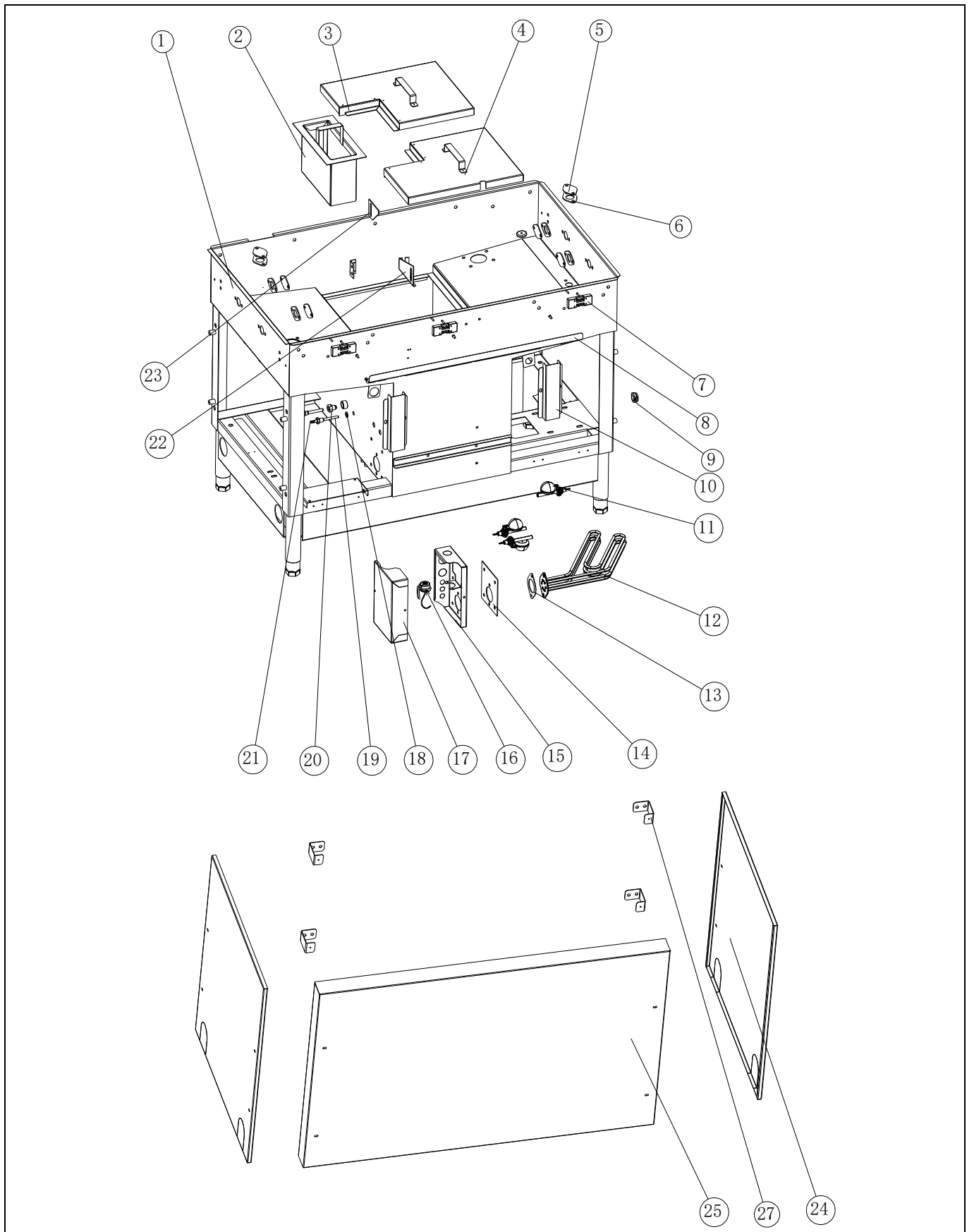
Pos.	Spare part Code	ANC	Chinese description	Description	Ref./Notes	V	W & T	S
1	0VT068	CP00144	密封垫	Seal			X	
2	0VTA1F	CO01216	漂洗立管	Rinsing riser				
3	0VT037	CP00172	O 型圈 EPDM70/23.8*3.1	O-ring EPDM70/23.8*3.1			X	
4	0VT811	CO01230	(SP)R 6 孔 1/2*450 (带闷盖螺母)	(SP)R 6 hole 1/2*450 (with cap nut)				
5	0VTA49	CS00476	喷嘴	nozzle				
6	0VT810	CO01229	(SP)R 4 孔 1/2*450(带闷盖螺母)	(SP)R 4 hole 1/2*450 (with cap nut)				
7	0VTA5A	CS00478	喷嘴 K 系列	Nozzle K series				
8	0VTA1G	CO01217	漂洗立管	Rinsing riser				
9	0VT023	CP00151	O 型圈 EPDM70/12.5*2.65	O-ring EPDM70/12.5*2.65				
10	0VT806	CO01038	喷淋立管	Spray riser				

**Rinse arm Assembly**  
喷淋臂组件

V = Vital spare part/核心备件  
W&T = Wear and Tear/易损件

S = Suggested/建议更换备件  
Bold=last change / 粗体=最后更改

From Ser. Nr... Up to Ser. Nr...	Page:19	Ed. 1.0 11.2019	<b>Doc No: PM00604</b>
-------------------------------------	---------	-----------------	------------------------



**Basement Assembly**

底座组件

From Ser. Nr...  
Up to Ser. Nr...

@  
Page:20

Ed. 1.4 04.2020

**Doc No: PM00604**

**RACK TYPE DISHWASHER**  
**通道式洗碗机**

Pos.	Spare part Code	ANC	Chinese description	Description	Ref./Notes	V	W & T	S
1	0VTA3W	SPR200	底座焊接	Base welding				
2	0VT754	SPR179	垃圾篮 蒸汽版	Trash basket steam version				
3	0VT320	SPR005	网罩焊接图	Net cover welding diagram				
4	0VT319	SPR004	网罩焊接图	Net cover welding diagram				
5	0VTA3X	CMT108	盖板	Cover				
6	0VT068	CP00144	密封垫	Seal			X	
7	0VT207	CE00226	磁性开关 (磁簧管座)	Magnetic switch (reed switch holder)				
8	0VTA43	CMT130	走线槽	Cable trough				
8		CMT527	走线槽	Cable trough				
9	0VT812	CP00047	闷头	Bulk head				
10	0VTA44	CMT133	走线槽	Cable trough				
10		CMT528	走线槽	Cable trough				
11	0VT232	CE00165	浮球加工 STH01 (浮球线束)	Float processing STH01 (floating ball harness)				
12	0VT334	CE00126	加热管 7.5kw	Heating pipe 7.5kw	a,b,c,d,e,f			
12	0VT762	CE00329	加热管 12kw	Heating pipe 12kw	g,h			
13	0VT093	CP00147	密封垫	Seal			X	
14	0VT130	CP00128	密封垫	Seal			X	
15	0VTA1T	CMT399	箱体	Box				
16	0VT761	CE00297	防干烧 (温控器)	Anti-dry (temperature controller)				X
17	0VTA1U	CMT470	电箱盖-对称件	Electric box cover - symmetrical parts				
18	0VT636	CO00131	法兰 1/链轮座	Flange 1 / sprocket seat				
19	0VT306	CE00031	温度传感器	Temperature Sensor				X
20	0VT566	CO01086	温度传感器转接口	Temperature sensor interface				
21	0VT565	CO01068	温度探测管	Temperature detection tube				
22	0VTA1A	CMT121	托板	Pallet				
23	0VTA09	CMT120	托板	Pallet				
24	0VTA3U	CMT498	围板 4	Coaming 4				
25	0VTA3T	CMT497	围板 3	Coaming 3				
26	0VTA3V	CMT500	围板支架	Coaming bracket				

**Basement Assembly**  
**底座组件**

**V = Vital spare part/核心备件**  
**W&T = Wear and Tear/易损件**

**S = Suggested/建议更换备件**  
**Bold=last change / 粗体=最后更改**

From Ser. Nr... Up to Ser. Nr...	Page:21	Ed. 1.4 04.2020	<b>Doc No: PM00604</b>
-------------------------------------	---------	-----------------	------------------------

**RACK TYPE DISHWASHER**  
通道式洗碗机

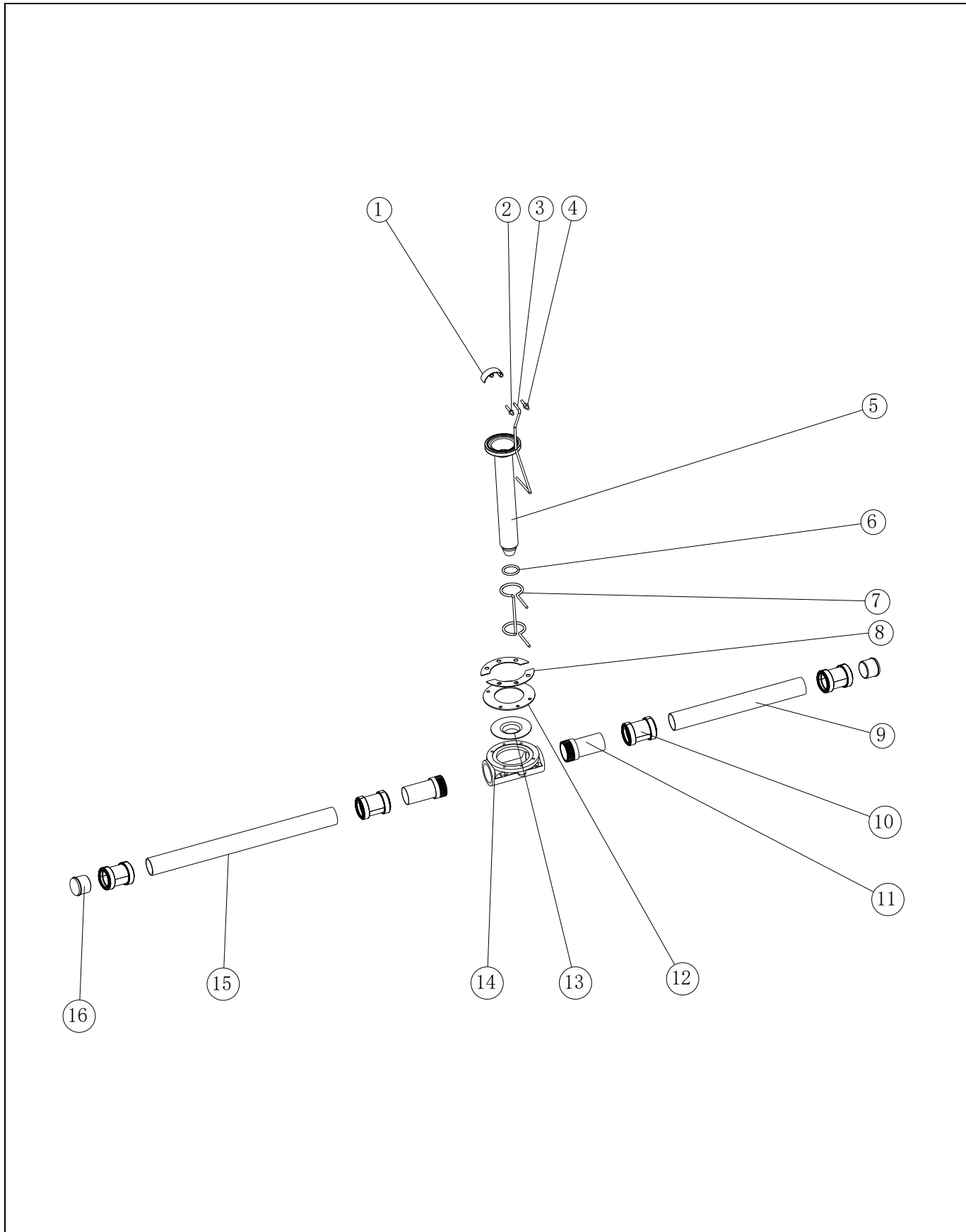
Pos.	Spare part Code	ANC	Chinese description	Description	Ref./Notes	V	W & T	S
27		CMT510	围板支架	Coaming bracket				

**Basement Assembly**  
底座组件

V = Vital spare part/核心备件  
W&T = Wear and Tear/易损件

S = Suggested/建议更换备件  
Bold=last change / 粗体=最后更改

From Ser. Nr... Up to Ser. Nr...	Page:22	Ed. 1.4 04.2020	<b>Doc No: PM00604</b>
-------------------------------------	---------	-----------------	------------------------



**Drain Assembly**  
**排水组件**

From Ser. Nr...  
 Up to Ser. Nr...

**RACK TYPE DISHWASHER**  
**通道式洗碗机**

Pos.	Spare part Code	ANC	Chinese description	Description	Ref./Notes	V	W & T	S
1	0VT679	SPR032	翻板拉手	Flap handle				
2	0VT633	CO00022	翻板拉手-3 (翻板销)	Flap handle - 3 (flip pin)				
3	0VT692	CMT135	拉杆	Pull rod				
4	0VT144	CO00132	翻板拉手-4 (翻板螺丝)	Flap handle - 4 (flap screw)				
5	0VT344	CP00195	溢水管 (无盖)	Overflow pipe (without cover)		X		
6	0VT056	CP00153	O 型圈 EPDM70/41.2*5.3	O-ring EPDM70/41.2*5.3			X	
7	0VT312	CO00036	导向架	Guide frame				
8	0VTA3Y	CMWF773	溢水法兰加强板	Overflow flange reinforcement				
9		RM00382	排水管 DN50-400MM	Tube DN50-400MM				
10		CP00502	HDPE 直套管 (DN50*84)	HDPE straight tube (DN 50*84)				
11	0VT734	SPF022	排水单头丝接头-00(115)	Drained single head wire connector-00 (115)				
11		<b>SPR204</b>	<b>排水单头丝</b>	<b>Drain pipe</b>				
12	0VT820	CP00392	溢水法兰密封垫	Overflow flange gasket			X	
13	0VT721	CMT134	溢水小法兰	Overflow small flange				
14	0VT286	CO00291	溢水大法兰/落水法兰	Overflow large flange / falling water flange				
15		RM00382	排水管 DN50-565MM	Tube DN50-565MM				
16		CP00505	HDPE 管帽 φ50	HDPE tube cap φ50				

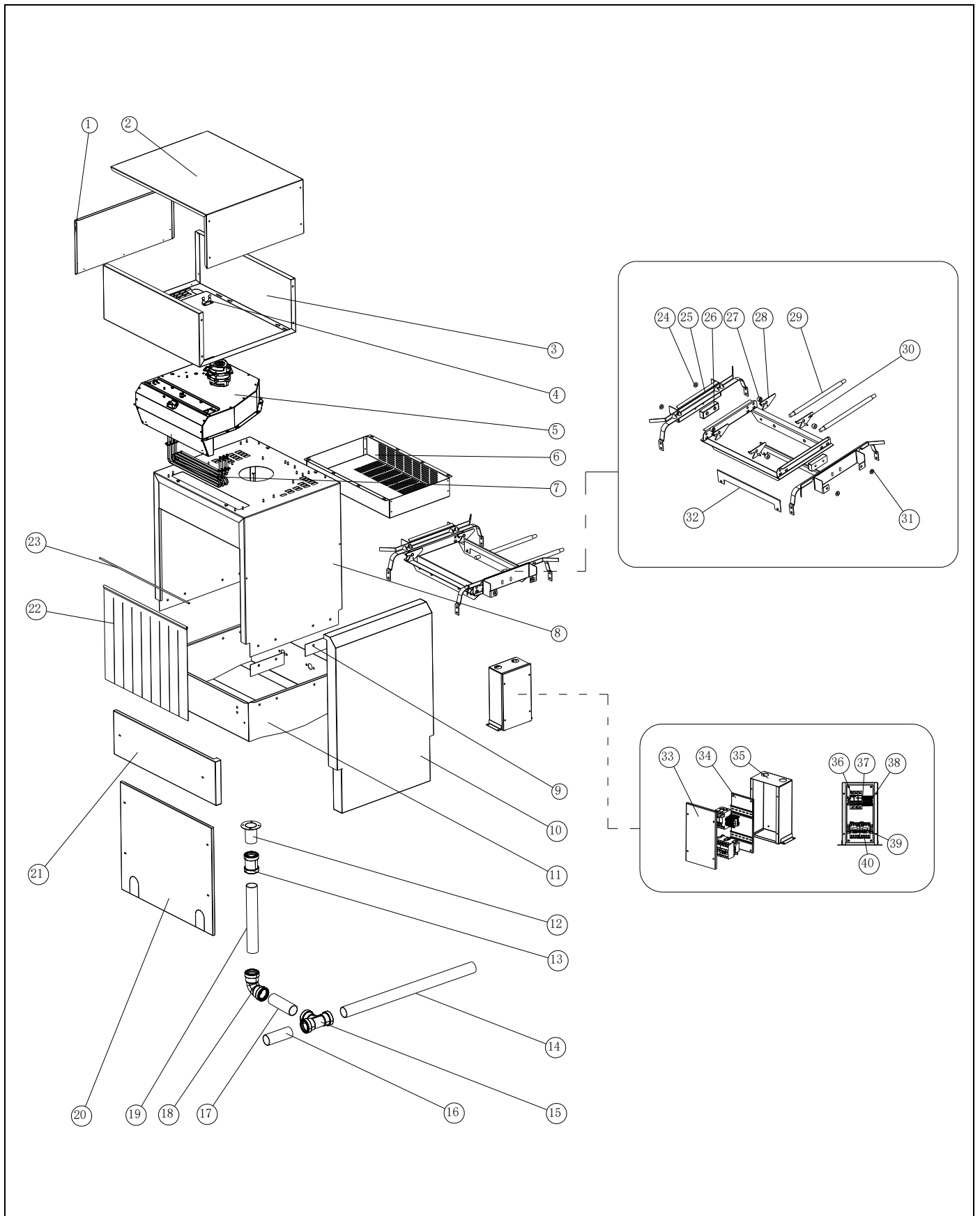
**Drain Assembly**  
**排水组件**

V = Vital spare part/核心备件  
W&T = Wear and Tear/易损件

S = Suggested/建议更换备件  
Bold=last change / 粗体=最后更改

From Ser. Nr... Up to Ser. Nr...	Page:24	Ed. 1.4 11.2020	<b>Doc No: PM00604</b>
-------------------------------------	---------	-----------------	------------------------





**Medium Dryer Assembly**  
**中型烘干组件**

From Ser. Nr...  
 Up to Ser. Nr...

@  
 Page:25

Ed. 1.0 11.2019

**Doc No: PM00604**

**RACK TYPE DISHWASHER**  
**通道式洗碗机**

Pos.	Spare part Code	ANC	Chinese description	Description	Ref./Notes	V	W & T	S
1	0VTA5P	CMHG079	烘干风扇上罩	Drying fan cover				
2	0VTA5R	CMHG081	烘干风扇上罩 2	Drying fan cover 2				
3	0VTA5Q	CMHG080	烘干风扇上罩 1	Drying fan cover 1				
4	0VTA5T	CMF658	波纹管固定架 (单管)	Bellows holder (single tube)				
5	0TTLNR	890646801	ERT 烘干风机安装包	Drying fan assembly				X
6	0VTA5S	CMHG091	烘干风扇罩(下)	Drying fan cover (bottom)				
7	0L1535	617626205	ERT 烘干加热管	Drying heater				X
8	0VTA5Y	SPHG027	烘干上罩焊接	Drying the upper cover welding				
9	0VTA5Z	CMHG078	衬板	Liner				
10	0VTA5U	SPHG024	烘干围板焊接	Drying plate welding				
11	0VTA5X	SPHG023	烘干水箱焊接	Drying tank welding				
12	0VTA5W	SPWF322	溢水连接管	Overflow connection pipe				
12		<b>SPR205</b>	<b>600 烘干排水接头</b>	<b>600 Dryer drain joint</b>				
13		CP00502	HDPE 直套管 (DN 50*48)	HDPE straight tube (DN 50*48)				
14		RM00382	排水管	Tube DN50-725MM				
15		CP00504	HDPE 三通套管 (DN 50)	HDPE T-connection (DN 50)				
16		RM00382	排水管	Tube DN50-130MM				
17		RM00382	排水管	Tube DN50-145MM				
18		CP00503	HDPE 弯头套管 (DN 50_87.5 度)	HDPE elbow-connection (DN 50)				
19		RM00382	排水管	Tube DN50-325MM				
20		CMT499	围板 5	Coaming 5				
21	0VTA5V	CMHG084	烘干围板 3	Drying board 3				
22	0VT294	CP00119	挡水帘 长 (新材料)	Water curtain long (new material)			X	
23	0VT997	CMT308	门帘轴	Curtain shaft				
24	0VT116	CO00162	垫圈厚的	Thick gasket				
25	0VTA5K	SPHG021	烘干机导轨组件(通道机)	Dryer rail assembly (channel machine)				
26	0VT111	CP00021	滑块(长导块)	Slider (long guide block)				

**Medium Dryer Assembly**  
**中型烘干组件**

**V = Vital spare part/核心备件**  
**W&T = Wear and Tear/易损件**

**S = Suggested/建议更换备件**  
**Bold=last change / 粗体=最后更改**

**RACK TYPE DISHWASHER**  
**通道式洗碗机**

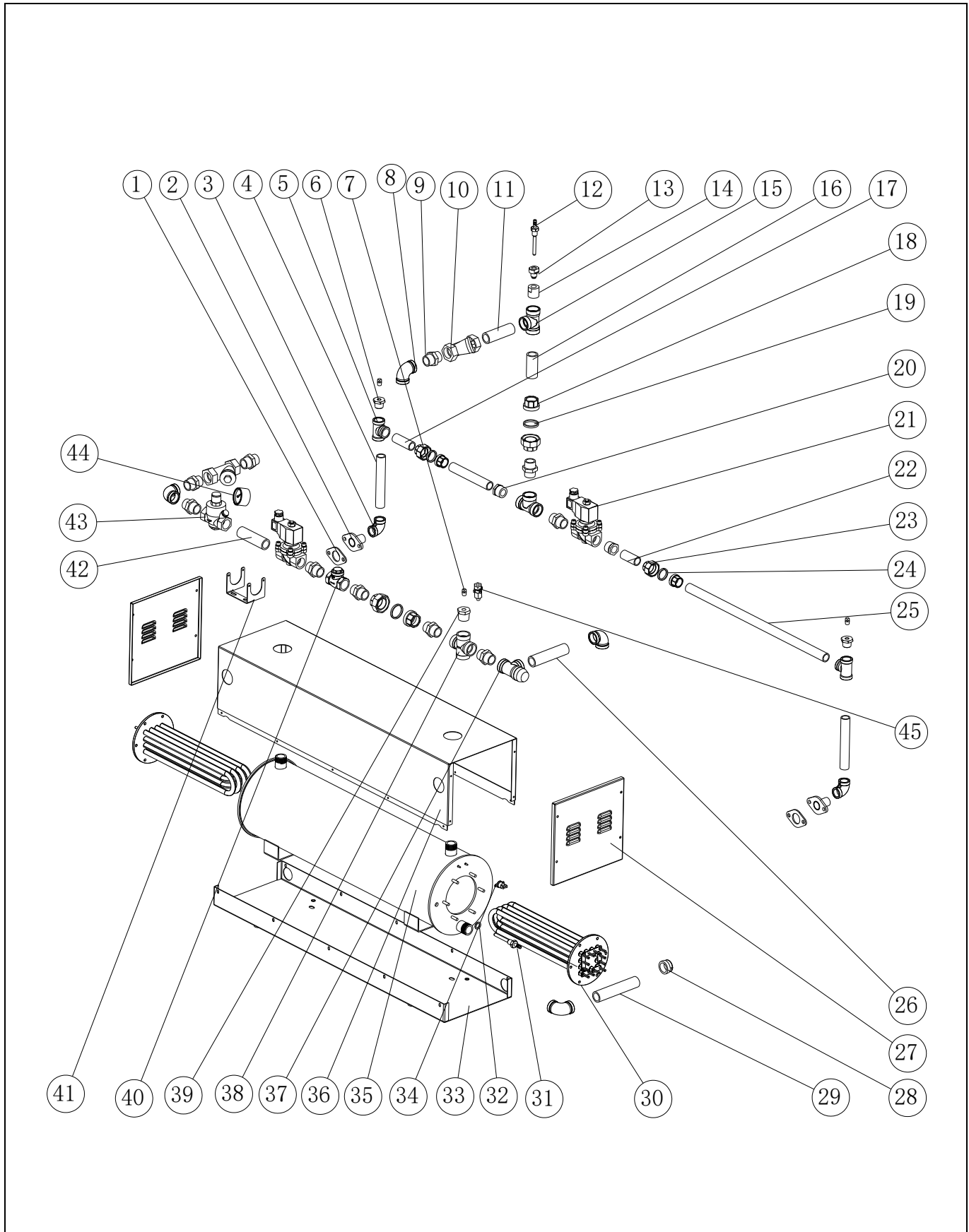
Pos.	Spare part Code	ANC	Chinese description	Description	Ref./Notes	V	W & T	S
27	0VT432	CO00142	定位套	Positioning sleeve				
28	0VT142	SPR013	传动脚	Drive foot				
29	0VT788	CO00032	丝杆	Screw				
30	0VT143	SPR014	传动脚	Drive foot				
31	0VT094	CO00011	垫圈薄的	Thin gasket				
32	0VT720	CMT112	挡板	Baffle				
33	0VTA50	CMHG088	烘干电箱盖板	Drying the electric box cover				
34	0VTA5N	SPHG028	烘干电箱电气安装板焊接	Drying electric installation board				
35	0VTA5M	SPHG025	烘干电箱焊接	Drying electric box welding				
36	0VT014	CE00173	断路器	Breaker				X
37	0VT052	CE00073	接线端子	Terminals				
38	0VT005	CE00078	接线端子	Terminals				
39	0VT048	CE00071	接线端子固定块	Terminal block fixing block				
40	0VT450	CE00803	交流接触器	AC contactor				
40	0VTA47	CE00809	交流接触器	AC contactor				

**Medium Dryer Assembly**  
**中型烘干组件**

V = Vital spare part/核心备件  
W&T = Wear and Tear/易损件

S = Suggested/建议更换备件  
Bold=last change / 粗体=最后更改

From Ser. Nr... Up to Ser. Nr...	Page:27	Ed. 1.4 11.2020	<b>Doc No: PM00604</b>
-------------------------------------	---------	-----------------	------------------------



**Water Inlet Assembly**

进水管路组件

From Ser. Nr...  
Up to Ser. Nr...

@  
Page:28

Ed. 1.0 11.2019

**Doc No: PM00604**

**RACK TYPE DISHWASHER**  
**通道式洗碗机**

Pos.	Spare part Code	ANC	Chinese description	Description	Ref./Notes	V	W & T	S
1	0VT068	CP00144	密封垫	Seal			X	
2	0VTA27	SPR030	直角接头	Right angle joint				
3	0VT148	CS00002	弯头	Elbow				
4	0VT193	CO00181	双头丝	Double-headed wire				
5	0VTA5G	CS00433	三通	Three links				
6	0VT965	CO01127	药剂转换闷头	Pharmacy conversion bulkhead				
7	0VT472	CS00161	闷头螺钉 (不锈钢)	Bulk head screw (stainless steel)				
8	0VT570	CS00001	弯头	Elbow				
9	0VT666	CS00367	外丝	Outer wire				
10	0VT241	CS00031	Y型过滤器	Y filter				
11	0VTA21	CO01168	双头丝	Double-headed wire				
12	0VT306	CE00031	温度传感器	Temperature Sensor				X
13	0VT566	CO01086	温度传感器转接口	Temperature sensor interface				
14	0VT554	CO00018	新的温控接头	New temperature control connector				X
15	0VT587	CS00436	三通	Three links				
16	0VT959	CO00194	双头丝	Double-headed wire				
17	0VTA1Z	CO00191	双头丝	Double-headed wire				
18	0VTA5I	CS00437	活接	Live connection				
19	0VTA23	CP00456	四氟垫片 3/4	PTFE gasket 3/4				
20	0VT141	CE00248	变径接头	Adjustable joints				
24	0VT525	CE00837	进水电磁阀	Inlet water solenoid valve		X		
21	0VTA7Y	CE00884	进水电磁阀	Inlet water solenoid valve		X		
22	0VTA1Y	CO00186	双头丝	Double-headed wire				
23	0VTA5H	CS00434	活接	Live connection				
24	0VTA22	CP00455	四氟垫片 1/2	PTFE gasket 1/2				
25		RM00187	工业管	Tube				
26	0VTA20	CO00196	双头丝	Double-headed wire				
27	0VTA3S	CMT107	端盖	End cap				
28	0VTA5F	CS00005	帽子式闷头	Hat-type bulkhead				

**Water Inlet Assembly**  
**进水管路组件**

**V = Vital spare part/核心备件**  
**W&T = Wear and Tear/易损件**

**S = Suggested/建议更换备件**  
**Bold=last change / 粗体=最后更改**

**RACK TYPE DISHWASHER**  
通道式洗碗机

Pos.	Spare part Code	ANC	Chinese description	Description	Ref./Notes	V	W & T	S
29	0VT640	CO00180	双头丝	Double-headed wire				
30	0VT370	CE00125	加热管	Boiler heating elements				
31	0VT306	CE00031	温度传感器	Temperature Sensor				X
32	0VT115	CP00131	四氟垫圈	PTFE gasket				
33	0VTA26	SPR102	下座	Lower seat				
34	0VT110	CE00171	防干烧 110°	Anti-dry burning 110°				
35	0VT398	SPR018	加热包	Heating package				
36	0VTA25	SPR019	加热包罩壳	Heating cover				
37	0VT258	CS00114	安全阀 (新)	Safety valve (new)				
38	0VT586	CS00435	四通	Four links				
39	0VT852	CS00470	变径接头	Adjustable joints				
40	0VT157	CS00019	单向阀	Check valve				
41	0VTA24	CMT104	支架	Support				
41		CMT523	支架	Support				
42	0VT958	CO00178	双头丝	Double-headed wire				
43	0VT588	CS00453	减压阀	Pressure reducing valve		X		
44	0VT430	CS00418	减压阀压力表	Pressure reducing valve pressure gauge				
45	0VT589	CS00467	单向阀	Check valve				

**Water Inlet Assembly**  
进水管路组件

V = Vital spare part/核心备件  
W&T = Wear and Tear/易损件

S = Suggested/建议更换备件  
Bold=last change / 粗体=最后更改

From Ser. Nr... Up to Ser. Nr...	Page:30	Ed. 1.0 11.2019	<b>Doc No: PM00604</b>
-------------------------------------	---------	-----------------	------------------------



Electrolux Professional  
Electrolux (Shanghai) Professional Appliance Co., Ltd.  
2688, West Huancheng Road,  
Fengxian District, Shanghai, China  
<https://professional.electrolux.com>