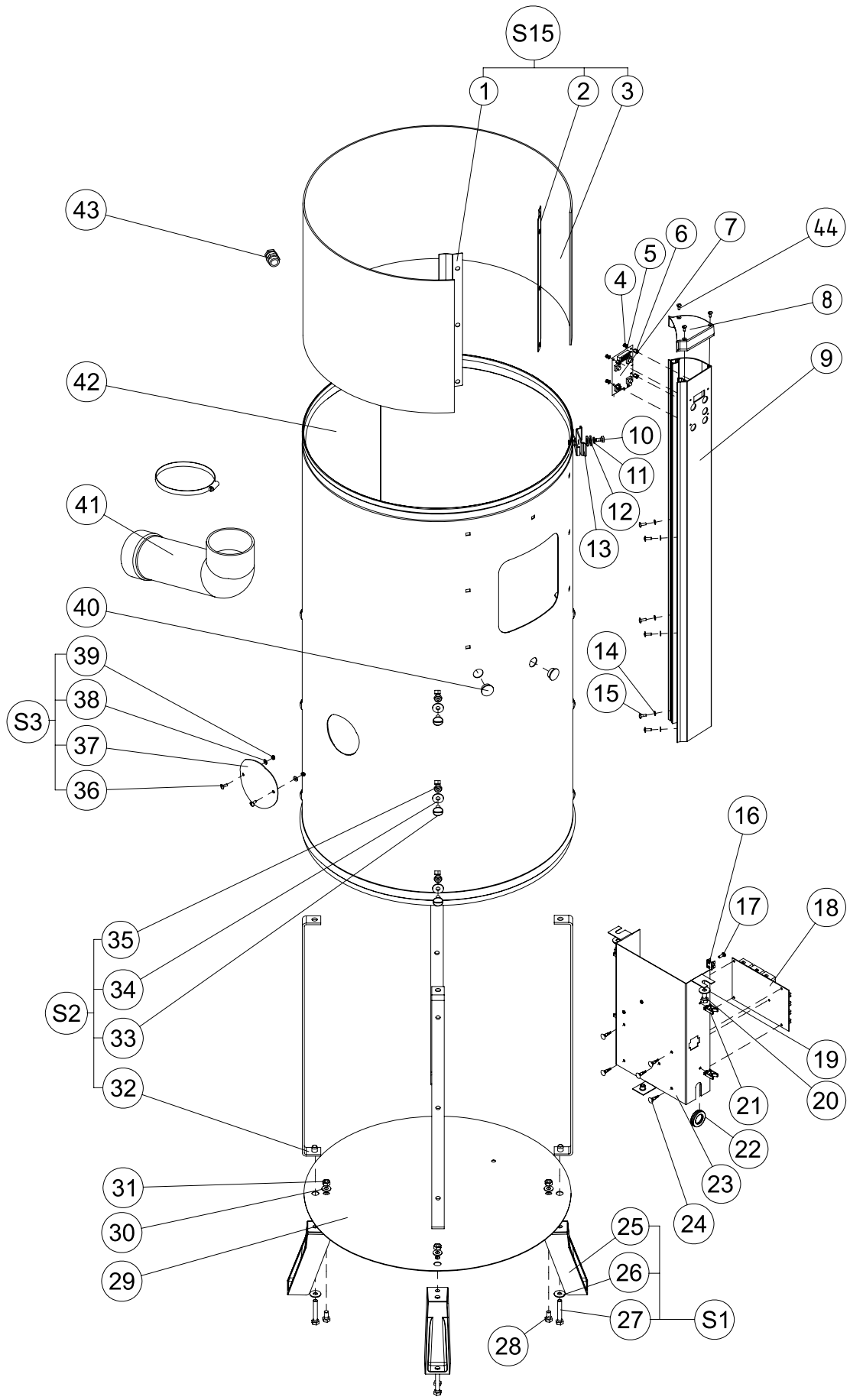


Nomenclature Carrosserie/ Parts list casing sub / Stückliste Karosserie

| Rep. Item | Code Part N° | Désignation / Description |
|-----------|--------------|--|
| 1 | 28852 | Réglette avant gauche/Front left scale |
| 2 | 20696 | Réglette avant droite/Front right scale |
| 3 | * | Bande abrasive/Abrasive strip |
| 4 | 21796 | Ecrou Hu M3 Jeu x10/Nut Hu M4 (set x10) |
| 5 | 31508 | Rondelle PE M3 Jeu x10/Washer PE M3 set x10 |
| 6 | 31510 | Entretoise Jeu x10/Spacer set x10 |
| 7 | OD5299 | Carte Minuterie équipée/Timer card assembly |
| 8 | 31864 | Support sécurité couvercle/Safety cover support |
| 9 | 31578 | Rail support commande équipé/Control support rail assembly |
| 10 | 30058 | Vis H M6x12 Jeu x10/Screw H M6x12 Set x10 |
| 11 | 21860 | Rondelle CS M6 inox Jeu x10/Washer CS M6 stainless steel set x10 |
| 12 | 21858 | Rondelle M10 Jeu x10/Washer M10 set x10 |
| 13 | 31574 | Bride/Flange |
| | 31671 | Contre bride/Counter flange |
| 14 | 30161 | Rondelle PE M4 Jeu x10/Washer PE M4 set x10 |
| 15 | 21625 | Vis RL M4x12 Jeu x10/Screw RL M4x12 set x10 |
| 16 | 30038 | Multiplicateur Jeu x5/Gearing set x5 |
| 17 | 24989 | Vis Cx M4x12 Jeu x10/Screw Cx M4x12 set x10 |
| 18 | 29595 | Carte tri 230-400/50-60/ Three phase board 230-400/50-60 |
| | 29596 | Carte mono 115-230/50-60/Single phase board 115-230/50-60 |
| 19 | 24642 | Rondelle CS L8 inox Jeu x10/Washer CS L8 stainless steel set x10 |
| 20 | 21503 | Vis H M8x16 inox Jeu x10/Screw H M8x16 stainless steel set x10 |
| 21 | 31516 | Clip fixation Jeu x10/Fixing clip set x10 |
| 22 | 28223 | Passe fil/Grommet |
| 23 | 31485 | Support composant/Component support |
| 24 | 24949 | Entretoise fixation/Fixing spacer |
| 25 | * | Pied/Foot |
| 26 | 24642 | Rondelle CS L8 inox Jeu x10/Washer CS L8 stainless steel set x10 |
| 27 | 21878 | Vis H M8x30 Jeu x10/Screw H M8x30 set x10 |
| 28 | 21503 | Vis H M8x16 inox Jeu x10/Screw H M8x16 stainless steel set x10 |
| 29 | 23837 | Tôle de fond/Base plate |
| 30 | 21876 | Rondelle CS M8 inox Jeu x10/Washer CS M8 stainless steel set x10 |
| 31 | 21904 | Ecrou frein M8 Jeu x10/Locking nut M8 set x10 |
| 32 | * | Chandelle/Pin |
| 33 | 21575 | Vis RL M8x16 inox Jeu x10/Screw RL M8x16 stainless steel set x10 |
| 34 | 24642 | Rondelle CS L8 inox Jeu x10/Washer CS L8 stainless steel set x10 |
| 35 | 21905 | Ecrou HU M8 Jeu x10/Nut HU M8 set x10 |
| 36 | 21625 | Vis RL M4x12 Jeu x10/Screw RL M4x12 set x10 |
| 37 | * | Plaque obturation/Blanking plate |
| 38 | 21674 | Rondelle CS M4 Jeu x10/Washer CS M4 set x10 |
| 39 | 21795 | Ecrou Hu M4 inox Jeu x10/Nut Hu M4 stainless steel set x10 |
| 40 | 23826 | Bouchon Jeu x4/Plug set x4 |
| 41 | 5949 | Durite + collier/Connecting hose + collar |
| 42 | 23644 | Virole/Shell |
| 43 | 17615 | Presse etoupe/Stuffing box |
| 44 | 21591 | Vis TFB M4x10 (jeu x 10)/Screw TFB M4x10 (set x 10) |
| S1 | 23820 | Pied équipé/Foot assembly |
| S2 | 23822 | Chandelle équipée/Pin assembly |
| S3 | 23842 | Obturateur équipé/Blanking assembly |
| S15 | 23832 | Bande abrasive équipée/Abrasive strip assembly |

| Pos | Teile-Nr | Bezeichnung |
|-----|----------|--|
| 1 | 28852 | Leiste vorne links |
| 2 | 20696 | Leiste vorne links |
| 3 | * | Schleifband |
| 4 | 21796 | Mutter Hu M3 Spiel X 10 |
| 5 | 31508 | Unterlegscheibe PE M3 Spiel X 10 |
| 6 | 31510 | Distanzstück Spiel X 10 |
| 7 | OD5299 | Zeitgeberkarte komplett montiert |
| 8 | 31864 | Halterung Sicherheit Abdeckung |
| 9 | 31578 | Trägerschiene Steuerung, komplett montiert |
| 10 | 30058 | Schraube H6 X 12, Spiel X 10 |
| 11 | 21860 | Unterlegscheibe CS M6, Inox, Spiel X 10 |
| 12 | 21858 | Unterlegscheibe M10 Spiel X 10 |
| 13 | 31574 | Flansch |
| | 31671 | Gegenflansch |
| 14 | 30161 | Unterlegscheibe PE M4 Spiel X 10 |
| 15 | 21625 | Schraube RL X M4 X 12, Spiel X 10 |
| 16 | 30038 | Übersetzer Spiel X 5 |
| 17 | 24989 | Schraube C X M4 X 12, Spiel X 10 |
| 18 | 29595 | Umschlagkarte 230-400/50-60 |
| | 29596 | Einphasen-karte 115-230/50-60 |
| 19 | 24642 | Unterlegscheibe CS L8, Inox, Spiel X 10 |
| 20 | 21503 | Schraube H M8 X 16, Inox, Spiel X 10 |
| 21 | 31516 | Steckverbindung Spiel X 10 |
| 22 | 28223 | Tülle |
| 23 | 31485 | Haltevorrichtung Bauteil |
| 24 | 24949 | Distanzstück Befestigung |
| 25 | * | Fuß |
| 26 | 24642 | Unterlegscheibe CS L8, Inox, Spiel X 10 |
| 27 | 21878 | Schraube H M8 X 30, Spiel X 10 |
| 28 | 21503 | Schraube H M8 X 16, Inox, Spiel X 10 |
| 29 | 23837 | Bodenblech |
| 30 | 21876 | Unterlegscheibe CS L8, Inox, Spiel X 10 |
| 31 | 21904 | Radmutter M8 Spiel X 10 |
| 32 | * | Stütze |
| 33 | 21575 | Schraube RL M8 X 16, Inox, Spiel X 10 |
| 34 | 24642 | Unterlegscheibe CS L8, Inox, Spiel X 10 |
| 35 | 21905 | Mutter Hu M8 Spiel X 10 |
| 36 | 21625 | Schraube RL M4 X 12, Spiel X 10 |
| 37 | * | Verschlußplatte |
| 38 | 21674 | Unterlegscheibe CS M4 Spiel X 10 |
| 39 | 21795 | Mutter Hu M4, Inox, Spiel X 10 |
| 40 | 23826 | Stöpsel Spiel X4 |
| 41 | 5949 | Verteilerschlauch + Schelle |
| 42 | 23644 | Ring |
| 43 | 17615 | Stopfbüchse |
| 44 | 21591 | Senkkopfschraube M4x10 (10-er Satz) |
| S1 | 23820 | Fuß komplett montiert |
| S2 | 23822 | Stütze komplett montiert |
| S3 | 23842 | Verschlußvorrichtung komplett montiert |
| S15 | 23832 | Schleifband komplett montiert |

Vue éclatée carrosserie / Exploded view casing sub / Explosionszeichnung Karosserie

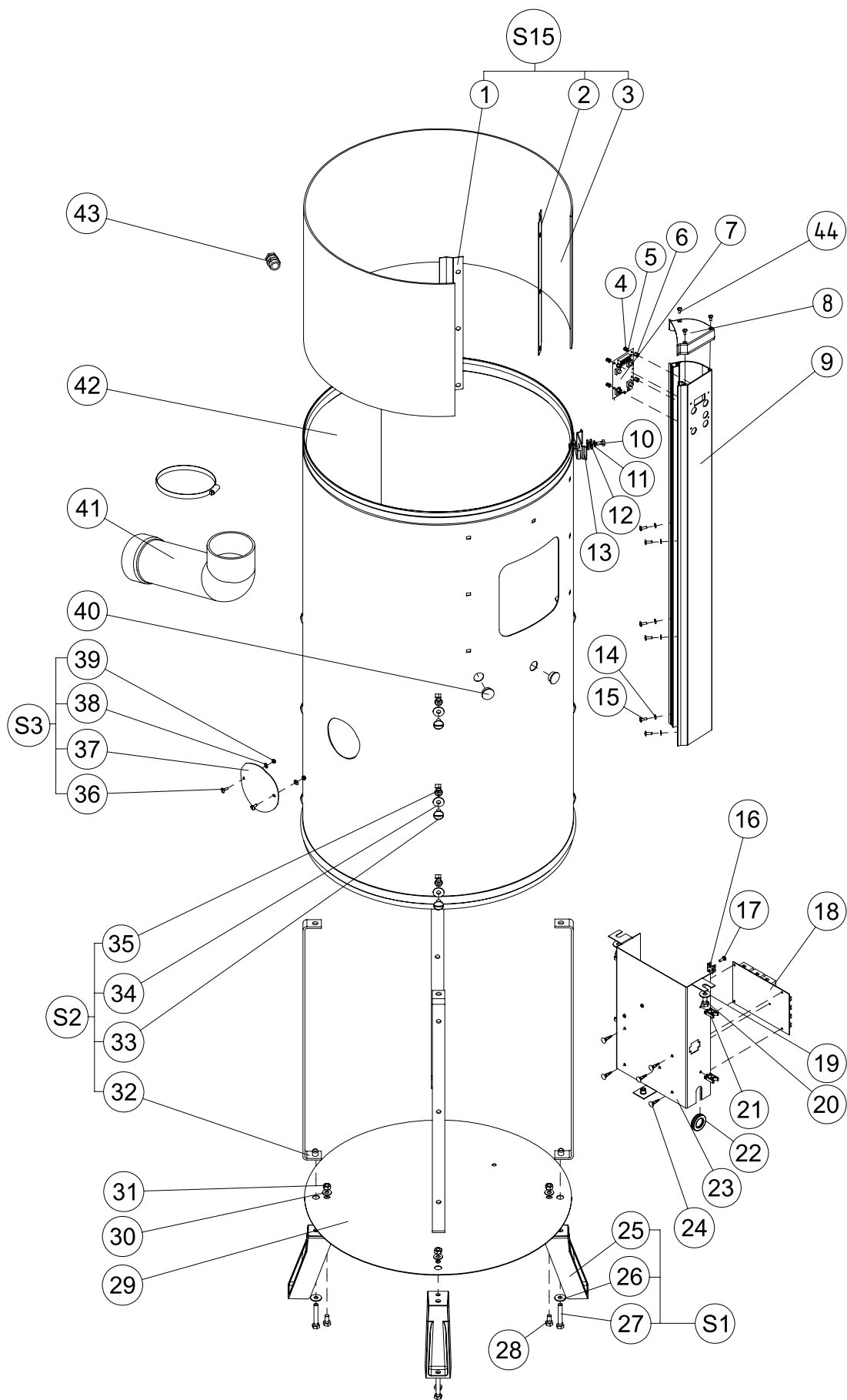


Nomenclatura carrozzeria / Nomenclatura carrocería

| N° | Cod. | Designazione |
|-----|--------|-------------------------------|
| 1 | 28852 | Righello anteriore sinistro |
| 2 | 20696 | Righello anteriore destro |
| 3 | * | Nastro abrasivo |
| 4 | 21796 | Dado Hu M3 Set x10 |
| 5 | 31508 | Rondella PE M3 Set x10 |
| 6 | 31510 | Distanziatore Set x10 |
| 7 | OD5299 | Gruppo scheda timer |
| 8 | 31864 | Supporto sicurezza coperchio |
| 9 | 31578 | Gruppo guida supporto comando |
| 10 | 30058 | Vite H M6x12 Set x10 |
| 11 | 21860 | Rondella CS M6 inox Set x10 |
| 12 | 21858 | Rondella M10 Set x10 |
| 13 | 31574 | Flangia |
| | 31671 | Controflangia |
| 14 | 30161 | Rondella PE M4 Set x10 |
| 15 | 21625 | Vite RL M4x12 Set x10 |
| 16 | 30038 | Moltiplicatore Set x5 |
| 17 | 24989 | Vite Cx M4x12 Set x10 |
| 18 | 29595 | Scheda tri 230-400/50-60 |
| | 29596 | Scheda mono 115-230/50-60 |
| 19 | 24642 | Rondella CS L8 inox set x10 |
| 20 | 21503 | Vite H M8x16 inox Set x10 |
| 21 | 31516 | Clip di fissaggio set x10 |
| 22 | 28223 | Passafilo |
| 23 | 31485 | Supporto componente |
| 24 | 24949 | Distanziatore di fissaggio |
| 25 | * | Piede |
| 26 | 24642 | Rondella CS L8 inox set x10 |
| 27 | 21878 | Vite H M8x30 Set x10 |
| 28 | 21503 | Vite H M8x16 inox Set x10 |
| 29 | 23837 | Lamiera di base |
| 30 | 21876 | Rondella CS M8 inox set x10 |
| 31 | 21904 | Dado freno M8 Set x10 |
| 32 | * | Candela |
| 33 | 21575 | Vite RL M8x16 inox Set x10 |
| 34 | 24642 | Rondella CS L8 inox set x10 |
| 35 | 21905 | Dado HU M8 Set x10 |
| 36 | 21625 | Vite RL M4x12 Set x10 |
| 37 | * | Piastra di otturazione |
| 38 | 21674 | Rondella CS M4 Set x10 |
| 39 | 21795 | Dado Hu M4 inox Set x10 |
| 40 | 23826 | Tappo Set x4 |
| 41 | 5949 | Manicotto di gomma + fascetta |
| 42 | 23644 | Ghiera |
| 43 | 17615 | Premistoppa |
| 44 | 21591 | Vite TFB M4x10 (set x 10) |
| S1 | 23820 | Gruppo piede |
| S2 | 23822 | Gruppo candela |
| S3 | 23842 | Gruppo otturatore |
| S15 | 23832 | Gruppo nastro abrasivo |

| N° | Código | Descripción |
|-----|--------|----------------------------------|
| 1 | 28852 | Regleta anterior izquierda |
| 2 | 20696 | Regleta anterior derecha |
| 3 | * | Cinta abrasiva |
| 4 | 21796 | Tuerca Hu M3 Juego x10 |
| 5 | 31508 | Arandela PE M3 juego x10 |
| 6 | 31510 | Separador Juego x10 |
| 7 | OD5299 | Tarjeta Temporizador equipada |
| 8 | 31864 | Soporte seguridad tapa |
| 9 | 31578 | Rail soporte mando equipado |
| 10 | 30058 | Tornillo H M6x12 Juego x10 |
| 11 | 21860 | Arandela CS M6 inox Juego x10 |
| 12 | 21858 | Arandela M10 Juego x10 |
| 13 | 31574 | Brida |
| | 31671 | Contra brida |
| 14 | 30161 | Arandela PE M4 Juego x10 |
| 15 | 21625 | Tornillo RL M4x12 Juego x10 |
| 16 | 30038 | Multiplicador Juego x5 |
| 17 | 24989 | Tornillo Cx M4x12 Juego x10 |
| 18 | 29595 | Tarjeta trifásica 230-400/50-60 |
| | 29596 | Tarjeta monofásica 115-230/50-60 |
| 19 | 24642 | Arandela CS L8 inox Juego x10 |
| 20 | 21503 | Tornillo H M8x16 inox Juego x10 |
| 21 | 31516 | Grapa de fijación Juego x10 |
| 22 | 28223 | Pasahilos |
| 23 | 31485 | Soporte componente |
| 24 | 24949 | Separador de fijación |
| 25 | * | Pata |
| 26 | 24642 | Arandela CS L8 inox Juego x10 |
| 27 | 21878 | Tornillo H M8x30 Juego x10 |
| 28 | 21503 | Tornillo H M8x16 inox Juego x10 |
| 29 | 23837 | Chapa de fondo |
| 30 | 21876 | Arandela CS M8 inox Juego x10 |
| 31 | 21904 | Tuerca freno M8 Juego x10 |
| 32 | * | Columna |
| 33 | 21575 | Tornillo RL M8x16 inox Juego x10 |
| 34 | 24642 | Arandela CS L8 inox Juego x10 |
| 35 | 21905 | Tuerca HU M8 Juego x10 |
| 36 | 21625 | Tornillo RL M4x12 Juego x10 |
| 37 | * | Placa de obturación |
| 38 | 21674 | Arandela CS M4 Juego x10 |
| 39 | 21795 | Tuerca Hu M4 inox Juego x10 |
| 40 | 23826 | Tapón Juego x4 |
| 41 | 5949 | Durita + abrazadera |
| 42 | 23644 | Virola |
| 43 | 17615 | Prensaestopa |
| 44 | 21591 | Tornillo TFB M4x10 (juego x 10) |
| S1 | 23820 | Pata equipada |
| S2 | 23822 | Columna equipada |
| S3 | 23842 | Obturador equipado |
| S15 | 23832 | Cinta abrasiva equipada |

Esploso carrozzeria / Despiece carrocería



Nomenclature porte / Parts list door/ Stückliste Tür / Nomenclatura Porta / Nomenclatura Puerta

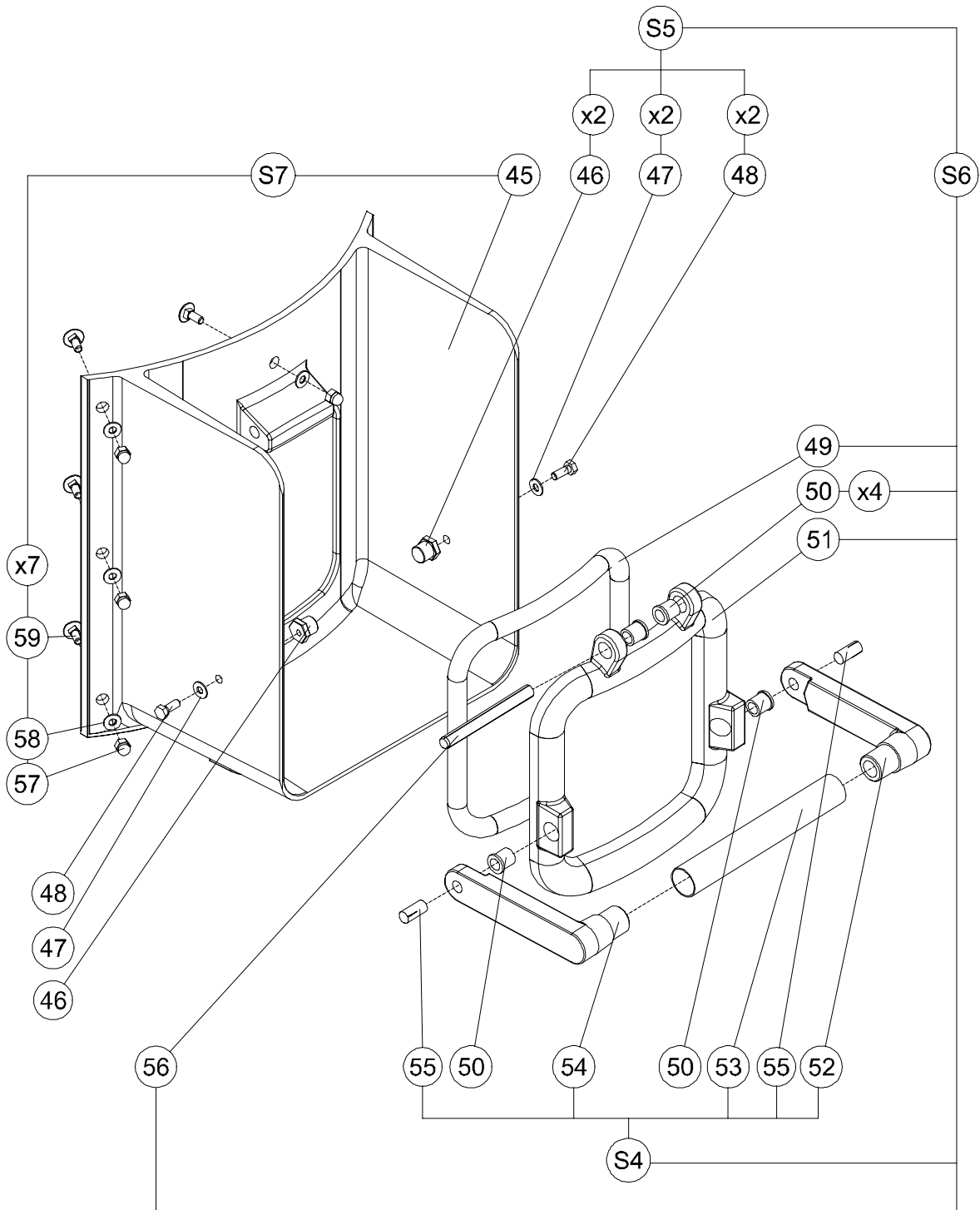
| Rep. Item | Code Part N° | Désignation / Description |
|-----------|--------------|--|
| 45 | * | Goulotte/Channel |
| 46 | 17455 | Axe de verrouillage Jeu x2/Locking pin set x2 |
| 47 | 21860 | Rondelle CS M6 inox Jeu x10/Washer CS M6 stainless steel set x10 |
| 48 | 21505 | Vis H M6x16 inox Jeu x10/Screw H M6x16 stainless steel set x10 |
| 49 | 7507 | Joint de porte/Door seal |
| 50 | 1207 | Bague/Ring |
| 51 | * | Porte/Door |
| 52 | * | Poignée droite/Right handle |
| 53 | * | Tube de poignée/Handle tube |
| 54 | * | Poignée gauche/Left handle |
| 55 | 21597 | Goupille 10x25 Jeu x5/Pin 10x25 set x5 |
| 56 | 21943 | Goupille 10x100 Jeu x2/Pin 10x100 set x2 |
| 57 | 21801 | Ecrou borgne M6 Jeu x10/Cap nut M6 set x10 |
| 58 | 21860 | Rondelle CS M6 inox Jeu x10/Washer CS M6 stainless steel set x10 |
| 59 | 24644 | Vis RCC M6X16 Jeu x10/Screw RCC M6X16 set x10 |
| S4 | 23828 | Poignée/Handle |
| S5 | 23829 | Axes équipés/Pin assemblies |
| S6 | 23831 | Porte équipée/Door assembly |
| S7 | 23827 | Goulotte équipée/Channel assembly |

| Pos. | Teile-Nr | Bezeichnung |
|------|----------|---|
| 45 | * | Rinne |
| 46 | 17455 | Verschlußbolzen, Spiel X 2 |
| 47 | 21860 | Unterlegscheibe CS M6, Inox, Spiel X 10 |
| 48 | 21505 | Schraube H M6 X 16, Inox, Spiel X 10 |
| 49 | 7507 | Türdichtung |
| 50 | 1207 | Ring |
| 51 | * | Tür |
| 52 | * | Türgriff rechts |
| 53 | * | Türgriffrohr |
| 54 | * | Türgriff links |
| 55 | 21597 | Sicherungsstift 10 X 25, Spiel X 5 |
| 56 | 21943 | Sicherungsstift 10 X 100, Spiel X 2 |
| 57 | 21801 | Hutmutter M6, Spiel X 10 |
| 58 | 21860 | Unterlegscheibe CS M6, Inox, Spiel X 10 |
| 59 | 24644 | Schraube RCC M6 X 16, Spiel X 10 |
| S4 | 23828 | Türgriff |
| S5 | 23829 | Verschlußbolzen, komplett montiert |
| S6 | 23831 | Tür, komplett montiert |
| S7 | 23827 | Rinne, komplett montiert |

| N° | Cod. | Designazione |
|----|-------|-----------------------------|
| 45 | * | Canale di espulsione |
| 46 | 17455 | Asse di bloccaggio Set x2 |
| 47 | 21860 | Rondella CS M6 inox Set x10 |
| 48 | 21505 | Vite H M6x16 inox Set x10 |
| 49 | 7507 | Guarnizione porta |
| 50 | 1207 | Anello |
| 51 | * | Porta |
| 52 | * | Impugnatura destra |
| 53 | * | Tube impugnatura |
| 54 | * | Impugnatura sinistra |
| 55 | 21597 | Spina 10x25 Set x5 |
| 56 | 21943 | Spina 10x100 Set x2 |
| 57 | 21801 | Dado cieco M6 Set x10 |
| 58 | 21860 | Rondella CS M6 inox Set x10 |
| 59 | 24644 | Vite RCC M6x16 Set x10 |
| S4 | 23828 | Impugnatura |
| S5 | 23829 | Gruppo assi |
| S6 | 23831 | Gruppo porta |
| S7 | 23827 | Gruppo spina |

| N° | Código | Descripción |
|----|--------|---------------------------------|
| 45 | * | Conducto |
| 46 | 17455 | Eje de bloqueo Juego x2 |
| 47 | 21860 | Arandela CS M6 inox Juego x10 |
| 48 | 21505 | Tornillo H M6x16 inox Juego x10 |
| 49 | 7507 | Junta de puerta |
| 50 | 1207 | Anillo |
| 51 | * | Puerta |
| 52 | * | Asa derecha |
| 53 | * | Tube de asa |
| 54 | * | Asa izquierda |
| 55 | 21597 | Pasador 10x25 Juego x5 |
| 56 | 21943 | Pasador 10x100 Juego x2 |
| 57 | 21801 | Tuerca ciega M6 Juego x10 |
| 58 | 21860 | Arandela CS M6 inox Juego x10 |
| 59 | 24644 | Tornillo RCC M6X16 Juego x10 |
| S4 | 23828 | Asa |
| S5 | 23829 | Ejes equipados |
| S6 | 23831 | Puerta equipada |
| S7 | 23827 | Conducto equipado |

Vue éclatée porte / Exploded view door /
 Explosionszeichnung Tür / Esploso Porta / Despiece Puerta _____



Nomenclature mécanique / Parts list mechanical / Stückliste Antrieb/ Nomenclatura Meccanismo / Nomenclatura Mecanismo

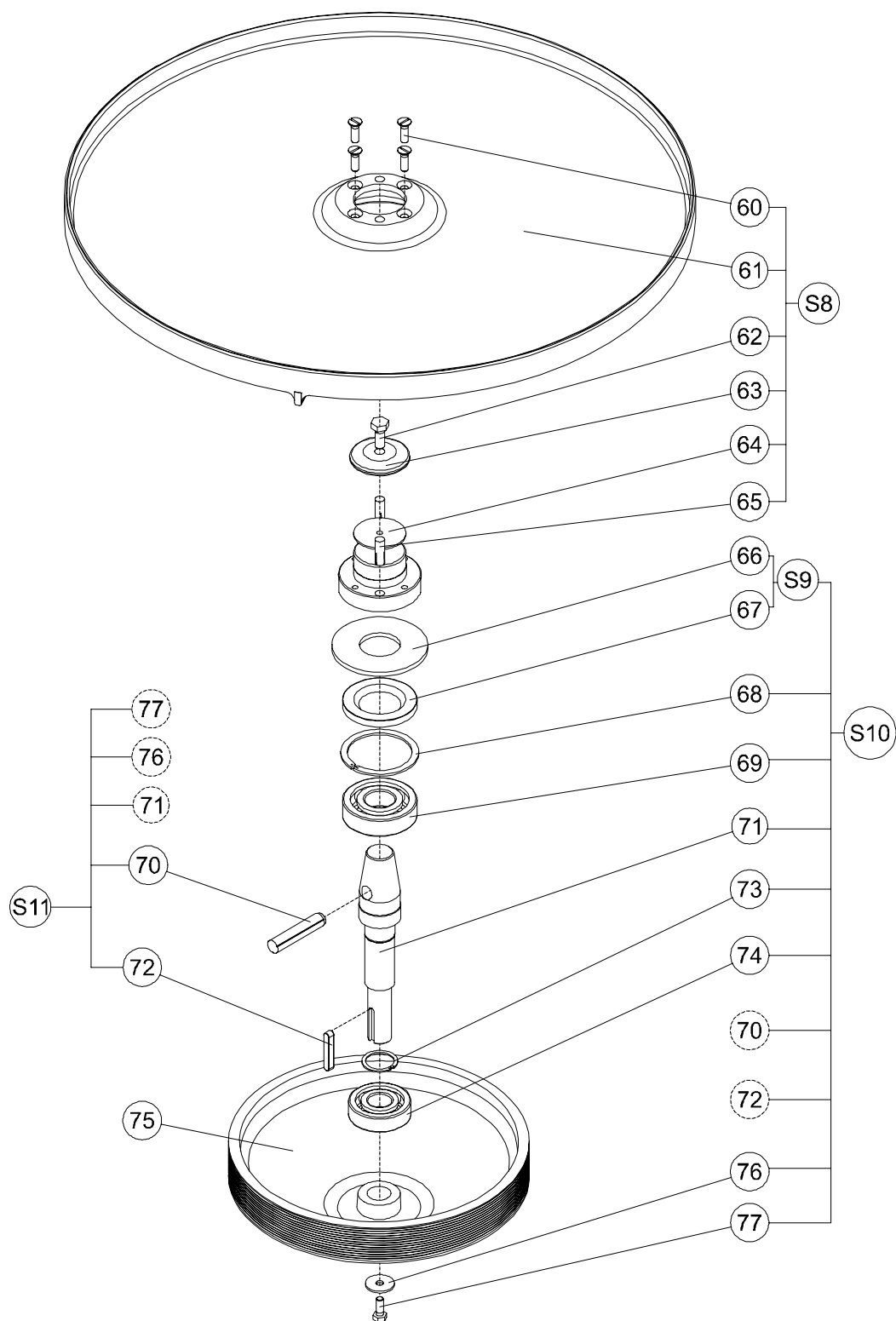
| Rep. Item | Code Part N° | Désignation / Description |
|-----------|--------------|--|
| 60 | 21675 | Vis F M6x20 Jeu x4/Screw F M6x20 set x4 |
| 61 | * | Plateau/Plate |
| 62 | 21531 | Vis H M8x20 Jeu x10/Screw H M8x20 set x10 |
| 63 | 1137 | Rondelle plateau/Plate washer |
| 64 | 20675 | Moyeu de plateau/Plate hub |
| 65 | 21539 | Goupille 8x26 Jeu x10/Pin 8x26 set x10 |
| 66 | 30031 | Rondelle Jeu x5/Washer set x5 |
| 67 | 30000 | Bague étanchéité Jeu x5/Sealing ring set x5 |
| 68 | 23838 | Circlip 62l Jeu x10/Circlip 62l set x10 |
| 69 | 3053 | Roulement 6305 2RS/Bearing 6305 2RS |
| 70 | 24112 | Goupille 12x60 Jeu x2/Pin 12x60 set x2 |
| 71 | 20673 | Arbre/Shaft |
| 72 | 26131 | Clavette 6x6x38 Jeu x10/Cotterpin 6x6x38 set x10 |
| 73 | 21789 | Circlip 25E Jeu x10/Circlip 25E set x10 |
| 74 | 3051 | Roulement 6304 2RS/Bearing 6304 2RS |
| 75 | 20662 | Poulie réceptrice 50Hz/Driven pulley 50Hz |
| | 22859 | Poulie réceptrice 60Hz/Driven pulley 60Hz |
| 76 | 21868 | Rondelle CL M6 Jeu x10/Washer CL M6 set x10 |
| 77 | 21505 | Vis H M6x16 inox Jeu x10/Screw H M6x16 stainless steel set x10 |
| S8 | 20827 | Plateau abrasif/Abrasive plate |
| S9 | 23840 | Kit étanchéité/Sealing kit |
| S10 | 23841 | Mécanisme complet/Complete mechanism |
| S11 | 23839 | Arbre équipé/Shaft assembly |

| Pos. | Teile-Nr | Bezeichnung |
|------|----------|---|
| 60 | 21675 | Schraube F M6X20, Spiel X4 |
| 61 | * | Grundplatte |
| 62 | 21531 | Schraube H M8X20, Spiel X10 |
| 63 | 1137 | Unterlegscheibe Grundplatte |
| 64 | 20675 | Nabe für Grundplatte |
| 65 | 21539 | Sicherungsstift 8 X 26, Spiel X 10 |
| 66 | 30031 | Unterlegscheibe, Spiel X 10 |
| 67 | 30000 | Dichtungsring Spiel X 5 |
| 68 | 23838 | Sicherungsbügel 62l Spiel X 10 |
| 69 | 3053 | Lager 6305 2RS |
| 70 | 24112 | Sicherungsstift 12 X 60, Spiel X 2 |
| 71 | 20673 | Achswelle |
| 72 | 26131 | Keil 6 X 6 X 38, Spiel X 10 |
| 73 | 21789 | Sicherungsbügel 25 E Spiel X 10 |
| 74 | 3051 | Lager 6304 2RS |
| 75 | 20662 | 50 Hz-Aufnahmescheibe |
| | 22859 | 60 Hz-Aufnahmescheibe |
| 76 | 21868 | Unterlegscheibe CS M6, Inox, Spiel X 10 |
| 77 | 21505 | Schraube H M 6 X 16, Inox, Spiel X10 |
| S8 | 20827 | Schleifplatte |
| S9 | 23840 | Dichtungszubehör |
| S10 | 23841 | Kompletter Mechanismus |
| S11 | 23839 | Achswelle komplett montiert |

| N° | Cod. | Designazione |
|-----|-------|---------------------------------|
| 60 | 21675 | Vite F M6x20 Set x4 |
| 61 | * | Piastra |
| 62 | 21531 | Vite H M8x20 Set x10 |
| | 63 | 1137 Rondella piastra |
| 64 | 20675 | Mozzo della piastra |
| 65 | 21539 | Spina 8x26 Set x10 |
| 66 | 30031 | Rondella Set x5 |
| 67 | | 30000 Anello di tenuta Set x5 |
| 68 | 23838 | Anello di sicurezza 62l Set x10 |
| 69 | 3053 | Cuscinetto 6305 2RS |
| 70 | 24112 | Spina 12x60 Set x2 |
| 71 | 20673 | Albero |
| 72 | 26131 | Chiavetta 6x6x38 Set x10 |
| 73 | 21789 | Anello di sicurezza 25E Set x10 |
| 75 | 20662 | Puleggia di ricezione 50Hz |
| | 22859 | Puleggia di ricezione 60Hz |
| 76 | 21868 | Rondella CL M6 Set x10 |
| 77 | 21505 | Vite H M6x16 inox Set x10 |
| S8 | 20827 | Piano abrasivo |
| S9 | 23840 | Kit di tenuta |
| S10 | 23841 | Meccanica completa |
| S11 | 23839 | Gruppo albero |

| N° | Código | Descripción |
|-----|--------|---------------------------------|
| 60 | 21675 | Tornillo F M6x20 Juego x10 |
| 61 | * | Disco |
| 62 | 21531 | Tornillo H M8x20 Juego x10 |
| 63 | 1137 | Arandela disco |
| 64 | 20675 | Cubo de disco |
| 65 | 21539 | Pasador 8x26 Juego x10 |
| 66 | 30031 | Arandela Juego x5 |
| 67 | 30000 | Anillo estanqueidad Juego x5 |
| 68 | 23838 | Circlip 62l Juego x10 |
| 69 | 3053 | Rodamiento 6305 2RS |
| 70 | 24112 | Pasador 12x60 Juego x2 |
| 71 | 20673 | Árbol |
| 72 | 26131 | Chaveta 6x6x38 Juego x10 |
| 73 | 21789 | Circlip 25E Juego x10 |
| 74 | 3051 | Rodamiento 6304 2RS |
| 75 | 20662 | Polea receptora 50Hz |
| | 22859 | Polea receptora 60Hz |
| 76 | 21868 | Arandela CL M6 Juego x10 |
| 77 | 21505 | Tornillo H M6x16 inox Juego x10 |
| S8 | 20827 | Disco abrasivo |
| S9 | 23840 | Kit estanqueidad |
| S10 | 23841 | Mecanismo completo |
| S11 | 23839 | Árbol equipado |

Vue éclatée mécanisme / Exploded view mechanical /
Explosionszeichnung Meccanismo / Esploso Meccanismo /
Despiece Mecanismo



Nomenclature Motor / Parts list Motor / Stückliste Motor / Esploso - Motore / Despiece - Motor

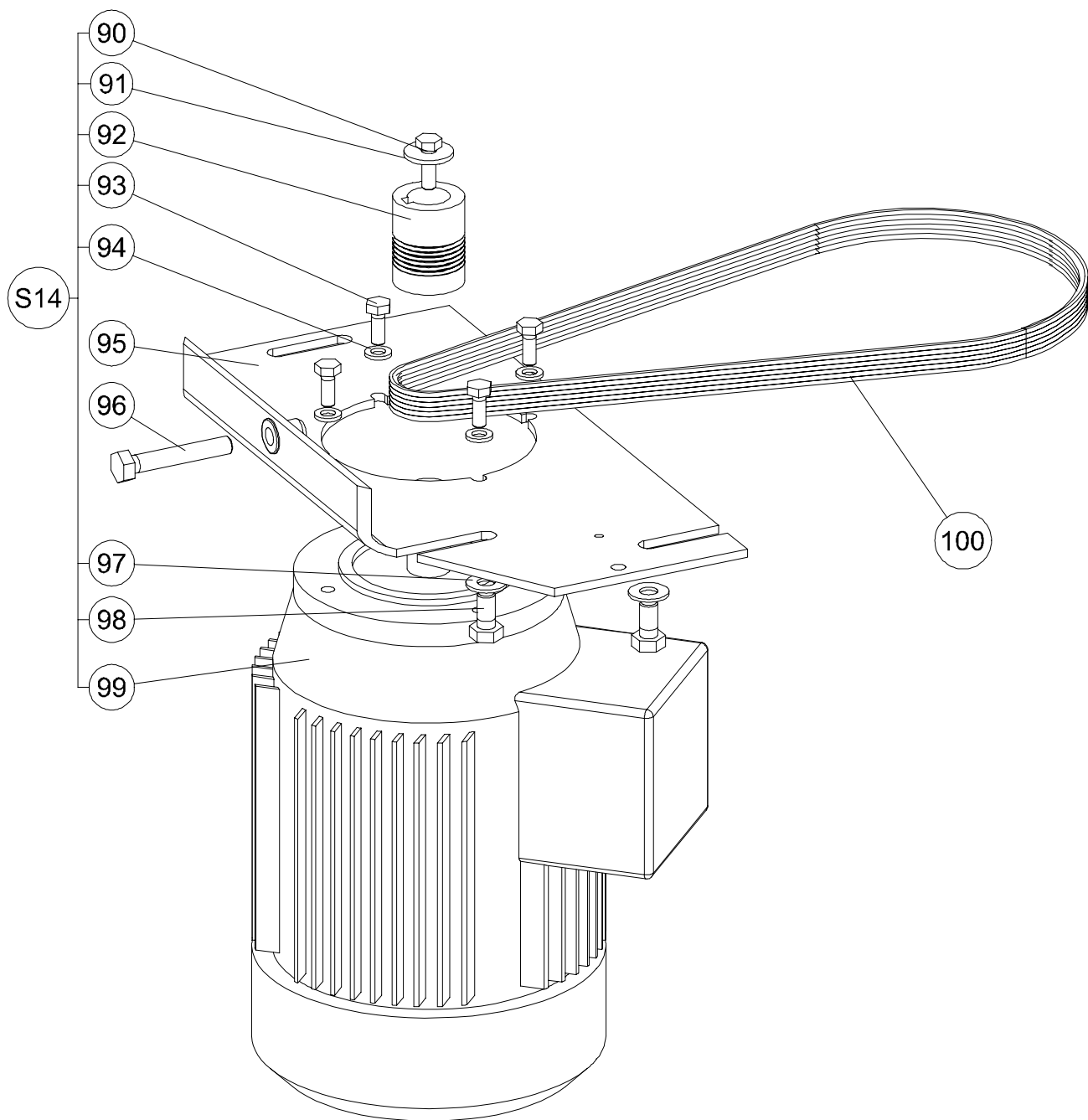
| Rep. Item | Code Part N° | Désignation / Description |
|-----------|--------------|---|
| 90 | 21607 | Vis H M6x20 Jeu x10/Screw H M6x20 set x10 |
| 91 | 7012 | Rondelle 26x6,5x3/Washer 26x6.5x3 |
| 92 | 20674/3 | Poulie motrice tri 50Hz/Three phase drive pulley 50Hz |
| | 23227 | Poulie motrice tri 60Hz/Three phase drive pulley 60Hz |
| | 20674/1 | Poulie motrice mono 50Hz/Single phase drive pulley 50Hz |
| | 22860 | Poulie motrice mono 60Hz/Single phase drive pulley 60Hz |
| 93 | 21505 | Tri : Vis H M6x16 inox Jeu x10/Three phase: Screw H M6x16 stainless steel set x10 |
| | 21503 | Mono : Vis H M8x16 inox Jeu x10/Single phase: Screw H M8x16 stainless steel set x10 |
| 94 | 26015 | Rondelle CS L6 inox Jeu x10/Washer CS L6 stainless steel set x10 |
| | 21876 | Rondelle CS M8 inox Jeu x10/Washer CS M8 stainless steel set x10 |
| 95 | 20670 | Support moteur/Motor support |
| 96 | 29329 | Vis H M8x50 inox Jeu x10/Screw H M8x50 stainless steel set x10 |
| 97 | 24642 | Rondelle CS L8 inox Jeu x10/Washer CS L8 stainless steel set x10 |
| 98 | 21503 | Vis H M8x16 inox Jeu x10/Screw H M8x16 stainless steel set x10 |
| 99 | 22228 | Moteur Tri/Three phase motor |
| | 23823 | Moteur Mono 230V/Single phase motor 230V |
| 100 | 5630 | Courroie/Belt |
| S14 | 23824 | Moteur tri 50Hz équipé/Three phase motor assembly 50Hz |
| | 23825 | Moteur mono 50Hz équipé/Single phase motor assembly 50Hz |

| Pos. | Teile-Nr | Bezeichnung |
|------|----------|---|
| 90 | 21607 | Schraube H M6 X 20, Spiel X 10 |
| 91 | 7012 | Unterlegscheibe 26 X 6,5 X 3 |
| 92 | 20674/3 | Dreiphasenmotor-50 Hz-Antriebsscheibe |
| | 23227 | Dreiphasenmotor-60 Hz-Antriebsscheibe |
| | 20674/1 | Einphasennebenschlussmotor-50 Hz-Antriebsscheibe |
| | 22860 | Einphasennebenschlussmotor-60 Hz-Antriebsscheibe |
| 93 | 21505 | Schraube H M6 X 16, Inox, Spiel X 10 für Dreiphasenm. |
| | 21503 | Schraube H M8 X 16, Inox, Spiel X 10 für Einphasenm. |
| 94 | 26015 | Unterlegscheibe CS L8, Inox, Spiel X 10 |
| | 21876 | Unterlegscheibe CS L8, Inox, Spiel X 10 |
| 95 | 20670 | Motorträger |
| 96 | 29329 | Schraube H M8 X 50, Inox, Spiel X 10 |
| 97 | 24642 | Unterlegscheibe CS L8, Inox, Spiel X 10 |
| 98 | 21503 | Schraube H M8 X 16, Inox, Spiel X 10 |
| 99 | 22228 | Drehstrommotor |
| | 23823 | Einphasennebenschlussmotor |
| 100 | 5630 | Antriebsriemen |
| S14 | 23824 | 50 Hz-Dreiphasenmotor, komplett montiert |
| | 23825 | 50 Hz-Einphasennebenschlussmotor, komplett montiert |

| N° | Cod. | Designazione |
|-----|---------|---------------------------------|
| 90 | 21607 | Vite H M6x20 Set x10 |
| 91 | 7012 | Rondella 26x6,5x3 |
| 92 | 20674/3 | Puleggia motrice tri 50 Hz |
| | 23227 | Puleggia motrice tri 60 Hz |
| | 20674/1 | Puleggia motrice mono 50 Hz |
| | 22860 | Puleggia motrice mono 60 Hz |
| 93 | 21505 | Tri: Vite H M6x16 inox Set x10 |
| | 21503 | Mono: Vite H M8x16 inox Set x10 |
| 94 | 26015 | Rondella CS L6 inox set x10 |
| | 21876 | Rondella CS M8 inox set x10 |
| 95 | 20670 | Supporto motore |
| 96 | 29329 | Vite H M8x50 inox Set x10 |
| 97 | 24642 | Rondella CS L8 inox set x10 |
| 98 | 21503 | Vite H M8x16 inox Set x10 |
| 99 | 22228 | Motore Tri |
| | 23823 | Motore Mono 230 V |
| 100 | 5630 | Cinghia |
| S14 | 23824 | Gruppo motore tri 50 Hz |
| | 23825 | Gruppo motore mono 50 Hz |

| N° | Código | Descripción |
|-----|---------|---|
| 90 | 21607 | Tornillo H M6x20 Juego x10 |
| 91 | 7012 | Arandela 26x6,5x3 |
| 92 | 20674/3 | Polea motriz trifásica 50Hz |
| | 23227 | Polea motriz trifásica 60Hz |
| | 20674/1 | Polea motriz monofásica 50Hz |
| | 22860 | Polea motriz monofásica 60Hz |
| 93 | 21505 | Trifásico: Tornillo H M6x16 inox Juego x10 |
| | 21503 | Monofásico: Tornillo H M8x16 inox Juego x10 |
| 94 | 26015 | Arandela CS L6 inox Juego x10 |
| | 21876 | Arandela CS M8 inox Juego x10 |
| 95 | 20670 | Soporte motor |
| 96 | 29329 | Tornillo H M8x50 inox Juego x10 |
| 97 | 24642 | Arandela CS L8 inox Juego x10 |
| 98 | 21503 | Tornillo H M8x16 inox Juego x10 |
| 99 | 22228 | Motor trifásico |
| | 23823 | Motor monofásico 230V |
| 100 | 5630 | Correa |
| S14 | 23824 | Motor trifásico 50Hz equipado |
| | 23825 | Motor monofásico 50Hz equipado |

Vue éclatée moteur / Exploded view Motor/
Explosionszeichnung Motor / Esploso Motore / Despiece Motor _____



Nomenclature trémie / Parts list Hopper/ Stückliste Trichter / Esploso - Tramoggia/ Despiece - Tolva

| Rep. Item | Code Part N° | Désignation / Description |
|-----------|--------------|--|
| 80 | 29611 | Embout cannelé/Grooved end piece |
| 81 | 29610 | Réduction/Reducer |
| 82 | 20698 | Gicleur/Sprayer |
| 83 | 29346 | Couvercle/Lid |
| 84 | 28853 | Trémie/Hopper |
| 85 | 21531 | Vis H M8x20 inox Jeu x10/Screw H M8x20 stainless steel set x10 |
| 86 | 21876 | Rondelle CS M8 inox Jeu x10/Washer CS M8 stainless steel set x10 |
| 87 | 28851 | Pion de clipage/Pion de clipage |
| S12 | 23835 | Diffuseur/Distributor |
| S13 | 23836 | Trémie équipée/Hopper assembly |

| Pos. | Teile-Nr | Bezeichnung |
|------|----------|---|
| 80 | 29611 | geriffelter Nippel |
| 81 | 29610 | Druckminderer |
| 82 | 20698 | Spritzdüse |
| 83 | 29346 | Deckel |
| 84 | 28853 | Rumpf |
| 85 | 21531 | Schraube H M8 X 20, Spiel X 10 |
| 86 | 21876 | Unterlegscheibe CS M8, Inox, Spiel X 10 |
| 87 | 28851 | Klemmstück |
| S12 | 23835 | Auslaßvorrichtung |
| S13 | 23836 | Rumpf, komplett montiert |

| N° | Cod. | Designazione |
|-----|-------|-----------------------------|
| 80 | 29611 | Ghiera scanalata |
| 81 | 29610 | Riduzione |
| 82 | 20698 | Spruzzatore |
| 83 | 29346 | Coperchio |
| 84 | 28853 | Tramoggia |
| 85 | 21531 | Vite H M8x20 inox Set x10 |
| 6 | 21876 | Rondella CS M8 inox set x10 |
| 87 | 28851 | Vite di bloccaggio |
| S12 | 23835 | Diffusore |
| S13 | 23836 | Gruppo tramoggia |

| N° | Código | Descripción |
|-----|--------|---------------------------------|
| 80 | 29611 | Contera acanalada |
| 81 | 29610 | Reducción |
| 82 | 20698 | Boquilla |
| 83 | 29346 | Tapa |
| 84 | 28853 | Tolva |
| 85 | 21531 | Tornillo H M8x20 inox Juego x10 |
| 86 | 21876 | Arandela CS M8 inox Juego x10 |
| 87 | 28851 | Pasador de fijación |
| S12 | 23835 | Difusor |
| S13 | 23836 | Tolva equipada |

Vue éclatée trémie / Exploded view hopper/
Explosionszeichnung Trichter / Esploso Tramoggia/
Despiece Tolva

