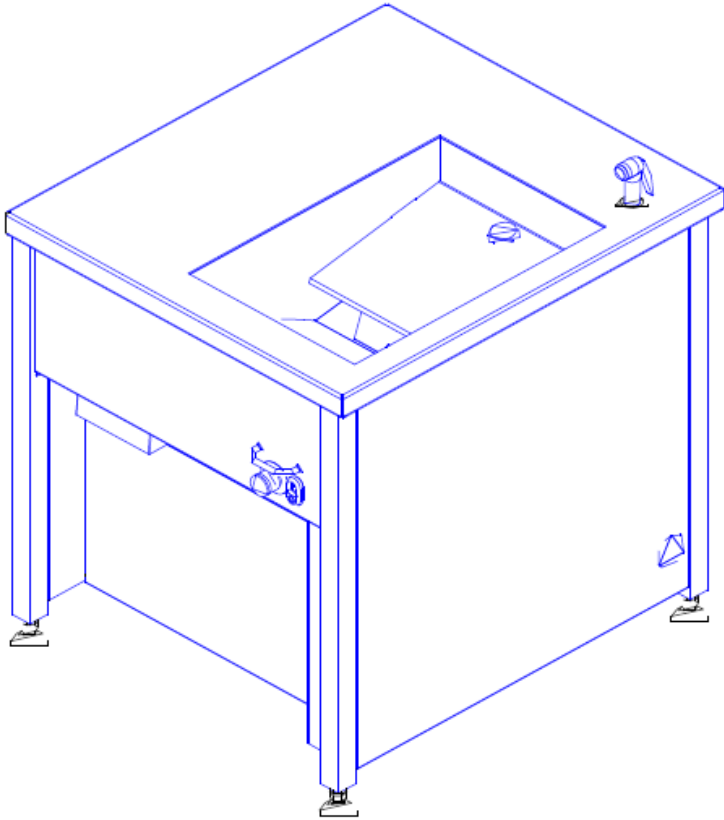


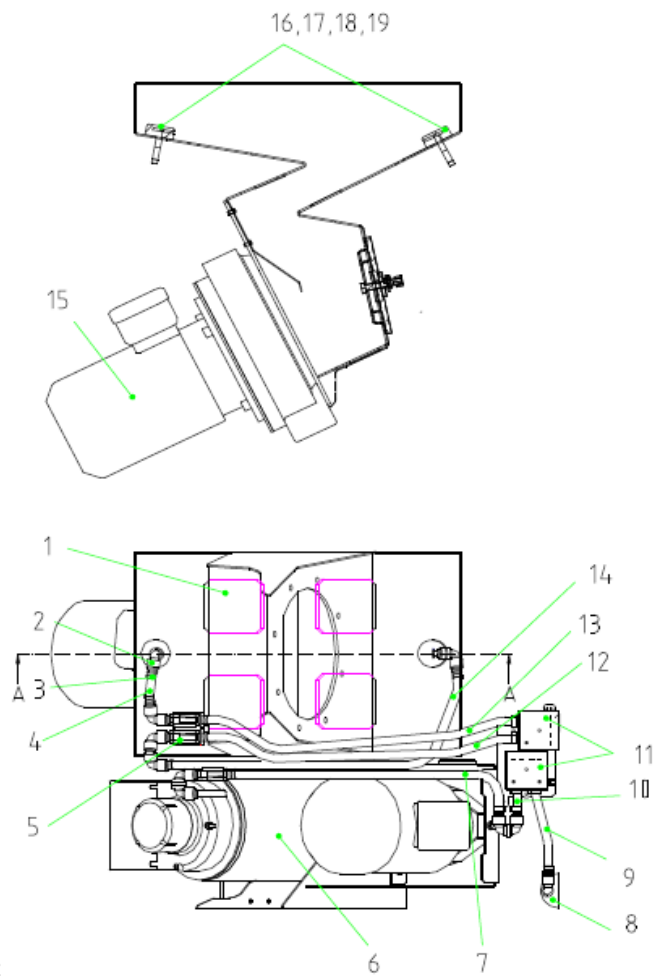
# Organic Waste Disposal System

Code 616020



# Organic Waste Disposal System

Code 616020



Version 120112

# Organic Waste Disposal System

Code 616020

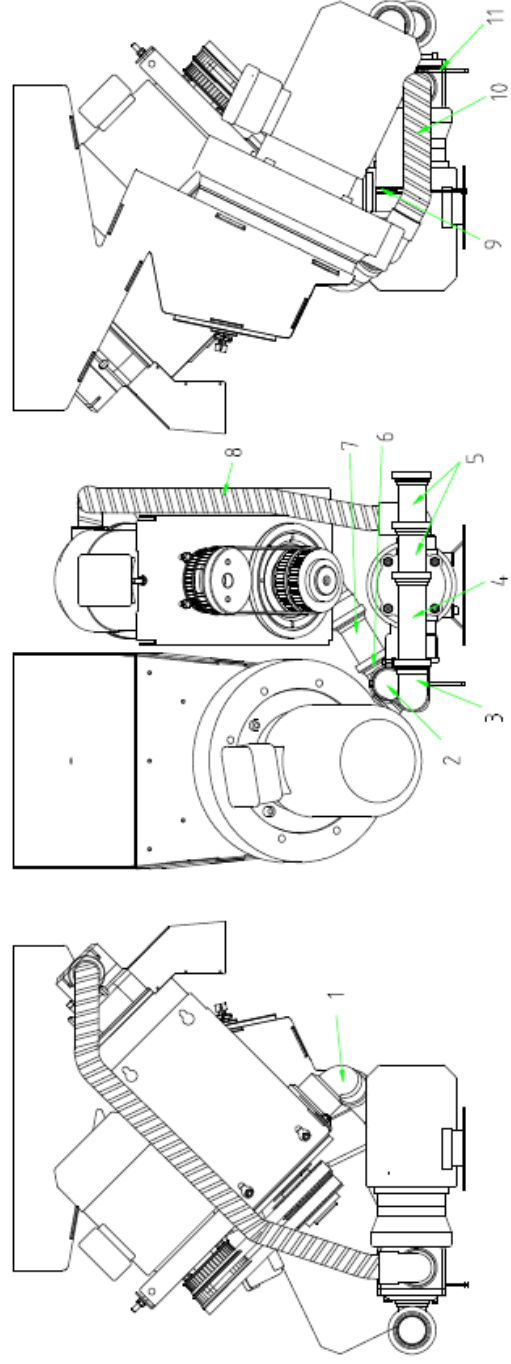
VERSION: 120112\_SBM 1

Item	Quantity	Unit	Designation	Code number/standard brief designation	Item/ drawing number
1	4	Pcs.	Magnet	100x100x25	Z000035
2	9	Pcs.	Angle connector	10 mm	Z000073
3	12	Pcs.	Hose clamp ear	Ø18,5 mm	Z000367
4	1	Pcs.	Hose	7 D mm	Z000173
5	3	Pcs.	Ball stop valve		Z000128
6	1	Pcs.	Dehydrator	Assembly	2015
7	1	Pcs.	Hose	630 mm	Z000173
8	1	Pcs.	Shower hose mount		479425
9	1	Pcs.	Hose	280 mm	Z000173
10	1	Pcs.	Hose	40mm	Z000173
11	2	Pcs.	Solenoid valve, double		200055
12	1	Pcs.	Hose	590 mm	Z000173
13	1	Pcs.	Hose	650 mm	Z000173
14	1	Pcs.	Hose	650 mm	Z000173
15	1	Pcs.	Grinder Type 22 0 1.5kw	Assembly	1313/E
16	2	Pcs.	Water inlet nozzle	Plastic	200017
17	2	Pcs.	Water pipe	1.4301 pipe Ø 10x1,5	200018
18	2	Pcs.	Disc	DIN 433-10,5-A"	Z000517
19	2	Pcs.	Nut	DIN 934-M10 -A2	Z000455
20		Pcs.			
21		Pcs.			
22		Pcs.			
23		Pcs.			
24		Pcs.			
25		Pcs.			
26		Pcs.			
27		Pcs.			
28		Pcs.			
29		Pcs.			

# Organic Waste Disposal System

Code 616020

1 Version 120112



# Organic Waste Disposal System

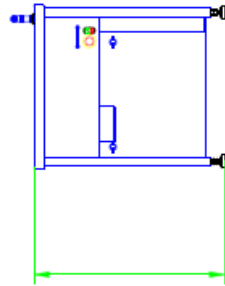
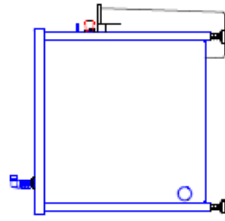
Code 616020

VERSION: 120112 SBM 1

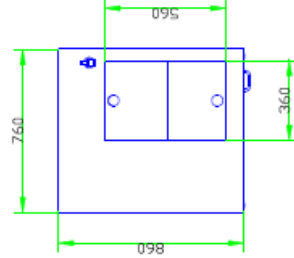
Item	Quantity	Unit	Designation	Code number/standard brief designation	Item/ drawing number
1	1	Pcs.	HT bend 87°	DN 50	Z000400
2	1	Pcs.	HT pipe, straight	DN 50 320 mm	Z000534
3	1	Pcs.	HT bend 67°	DN 50	Z000401
4	1	Pcs.	HT pipe, straight	DIN 50 130 mm	Z000533
5	2	Pcs.	HT bend 30°	DIN 50	Z000503
6	1	Pcs.	HT bend 67°	DN 50	Z000401
7	1	Pcs.	HT pipe, straight	DN 50 110mm	Z000533
8	1	Pcs.	Press/pump hose	Assembly, cast	400227
9	1	Pcs.	Hinged pipe clamp	Assembly 107mm M8	400246
10	1	Pcs.	Grinder/pump hose	Assembly, cast	400226
11	1	Pcs.	Hinged pipe clamp	Assembly 115mm M8	400247
12		Pcs.			
13		Pcs.			/
14		Pcs.			/
15		Pcs.			/
16		Pcs.			/
17		Pcs.			/
18		Pcs.			/
19		Pcs.			/
20		Pcs.			/
21		Pcs.			/
22		Pcs.			/
23		Pcs.			/
24		Pcs.			/
25		Pcs.			/
26		Pcs.			/
27		Pcs.			/
28		Pcs.			/
29		Pcs.			/

# Organic Waste Disposal System

Code 616020



Hone, adjustable 900-950

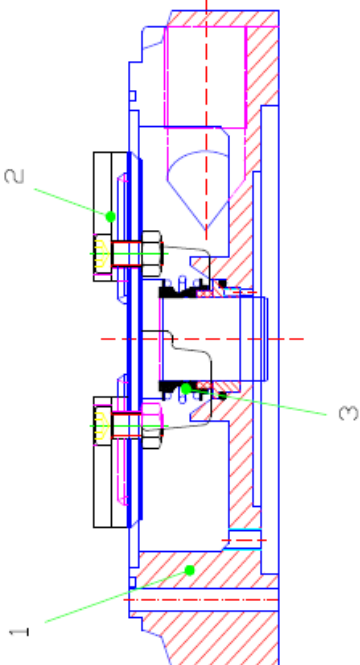


120112

**Organic Waste Disposal System  
Disposer**

**Code 616020**

485912 Grinder housing and grinder discs



# Organic Waste Disposal System

## Disposer Spare parts

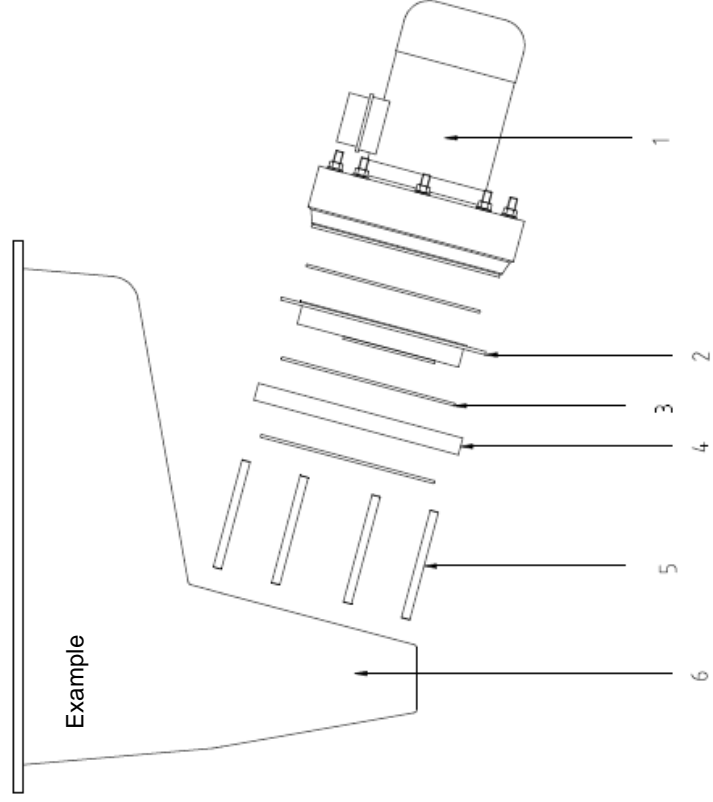
Code 616020

VERSION: 0 2.2 0 12

Item	Quantity	Unit	Designation	Code number/standard brief designation	Item/ drawing number
1	1	Pcs.	Grinder housing	Assembly	485907
2	1	Pcs.	Grinder disc	Assembly	481900
3	1	Pcs.	Slide seal ring	MG 1/45 - G 116	485914
4		Pcs.			/
5		Pcs.			/
6		Pcs.			/
7		Pcs.			/
8		Pcs.			/
9		Pcs.			/
10		Pcs.			/
11		Pcs.			/
12		Pcs.			/
13		Pcs.			/
14		Pcs.			/
15		Pcs.			/
16		Pcs.			/
17		Pcs.			/
18		Pcs.			/
19		Pcs.			/
20		Pcs.			/
21		Pcs.			/
22		Pcs.			/
23		Pcs.			/
24		Pcs.			/
25		Pcs.			/
26		Pcs.			/
27		Pcs.			/
28		Pcs.			/
29		Pcs.			/



**Organic Waste Disposal System  
Disposer  
Code 616020**



Version: 290212/1313/E Grinder 220 1.5 kW with BSP sump

# Organic Waste Disposal System

## Disposer Spare parts

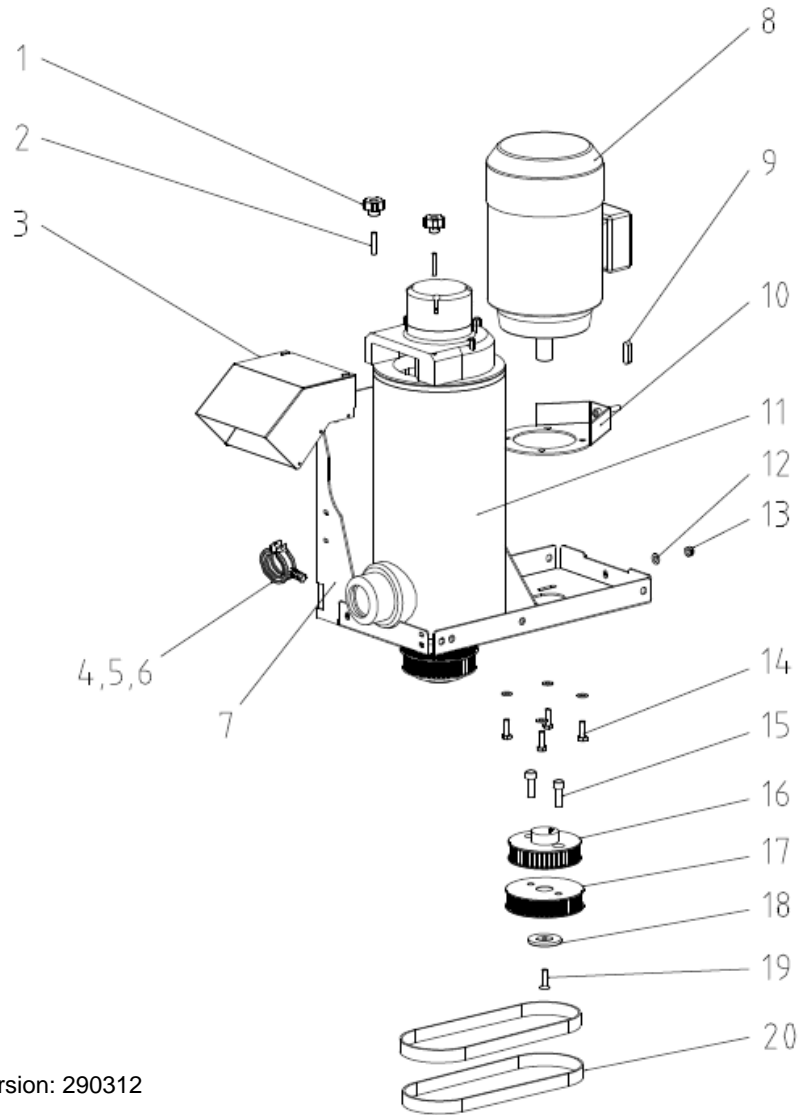
Code 616020

Version: 29 0 212/ 1313E

Item	Quantity	Unit	Designation	Code number/standard brief designation	Item/ drawing number
1	1	Pcs.	Grinder	Assembly/ELITE	1313/E
2	1	Pcs.	Sprocket	Assembly	481800
3	2	Pcs.	O-ring	DIN 3771-255x4	Z000212
4	1	Pcs.	Space ring	Plastic	B485901
5	8	Pcs.	Threaded rod	DIN M12 x 14 5	B476315
6	1	Pcs.	Sump	Assembly	
7		Pcs.			
8		Pcs.			
9		Pcs.			
10		Pcs.			
11		Pcs.			
12		Pcs.			
13		Pcs.			
14		Pcs.			
15		Pcs.			/
16		Pcs.			/
17		Pcs.			/
18		Pcs.			/
19		Pcs.			/
20		Pcs.			/
21		Pcs.			/
22		Pcs.			/
23		Pcs.			/
2h		Pcs.			/
23		Pcs.			/
26		Pcs.			/
27		Pcs.			/
28		Pcs.			/
29		Pcs.			/

# Organic Waste Disposal System Dehydrator

Code 616020



Version: 290312

# Organic Waste Disposal System

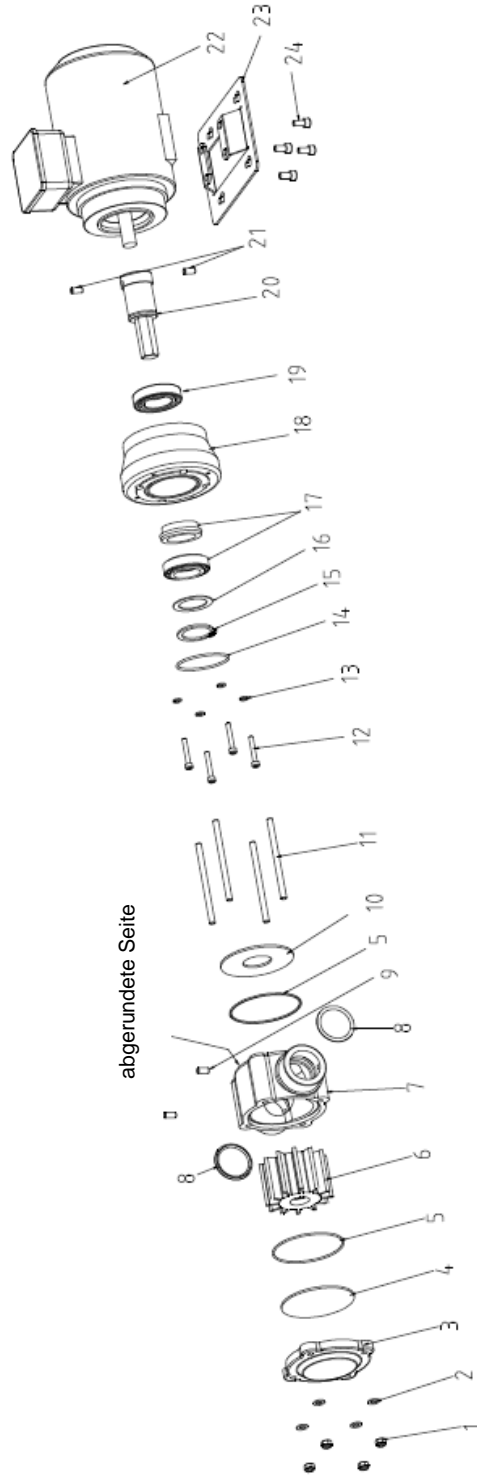
## Dehydrator Spare parts

Code 616020

Version: 290312 Press

Item	Quantity	Unit	Designation	Code number/standard brief designation	Item/ drawing number
1	2	Pcs.	Knurled nut	M6	Z000368
2	2	Pcs.	Grub screw	DIN 913 - M6x30	Z000143
3	1	Pcs.	Ejection hood	Assembly	B473426
4	1	Pcs.	Hose clamp	1 1/4" 40-45	Z000448
5	1	Pcs.	Hexagon head screw	DIN 933 M8-25	Z000159
6	2	Pcs.	Nuts	DIN 934 M8	Z000160
7	1	Pcs.	Press holder	Assembly	B476817
8	1	Pcs.	Motor	M90L4	Z000196
9	1	Pcs.	Feather key	DIN 6885-8x7x35	Z000399
10	1	Pcs.	Motor clamp	Assembly	B473321
11	1	Pcs.	Pressing unit	Assembly	B473300
12	5	Pcs.	Disc	DIN 125-8,4	Z000187
13	1	Pcs.	self Nut	DIN 985-M8	Z000186
14	4	Pcs.	Hexagon head screw	DIN 933-M8x25	Z000159
15	2	Pcs.	Cheese-head screw	DIN 912-M8x35	Z000397
16	1	Pcs.	Motor sprocket	GG 15 P42-8M-20	B476816
17	1	Pcs.	Motor sprocket	GG 15 P44-8M-20	B476815
18	1	Pcs.	Stopper	1.43 0 1 Rd. Ø50	B473329
19	1	Pcs.	Countersunk screw	DIN 7991-M8x50	Z000204
20	2	Pcs.	Timing belt	Power HTD 760-8M-20	Z000163
21		Pcs.			
22		Pcs.			
23		Pcs.			/
24		Pcs.			/
25		Pcs.			/
26		Pcs.			/
27		Pcs.			/
28		Pcs.			/
29		Pcs.			/

**Organic Waste Disposal System  
Pressure Pump  
Code 616020**



# Organic Waste Disposal System Pressure Pump

## Spare parts

**Code 616020**

Version:20092011 Pump

Item	Quantity	Unit	Designation	Code number/standard brief designation	Item/ drawing number
1	4	Pcs.	Stop nut	DIN 985 - M8	Z000186
2	8	Pcs.	Disc	DIN 125 - A - 8,4	Z000187
3	1	Pcs.	Pump cover	Plastic	B477205
4	1	Pcs.	Top spacer disc	1.43 0 1 3mm	B477208
5	2	Pcs.	O-ring	Ø10 0x2.5	Z000101
6	1	Pcs.	Impeller	17935- 0 0 0 1B-01G	Z000004
7	1	Pcs.	Pump housing	Plastic	B477203
8	2	Pcs.	O-ring	DIN 3771 - Ø 45x4	Z000134
9	2	Pcs.	Grub screw	DIN 913 - M8x10	Z000188
10	1	Pcs.	Bottom spacer disc	1.43 0 1 3,0mm	B477209
11	4	Pcs.	Threaded rod	M8x123mm	B480304
12	4	Pcs.	Cheese-head screw	DIN 912 - M6x4 0	Z000189
13	4	Pcs.	Disc	DIN 125 - 6,4	Z000058
14	1	Pcs.	O-ring	80x3,4	Z000392
15	1	Pcs.	Locking ring	DIN 471 - 40x1,75	Z000414
16	1	Pcs.	Disc	1.43 0 1 1,5mm	B477222
17	1	Pcs.	Slide ring seal	Ø 40	B477221
18	1	Pcs.	Bagger housing	Plastic	B480302A
19	1	Pcs.	Grooved ball bearing	DIN 625 - 6 0 0 8 - 2RS	Z000213
20	1	Pcs.	Pump shaft	RG 7 CuSnZnPb Ø 40	B480303F
21	2	Pcs.	Grub screw	DIN 913 - M8x16	Z000413
22	1	Pcs.	Motor	0,55Kw 9 0 0 U/min	Z000149
23	1	Pcs.	Wall bracket for pump	1.43 0 1 3,0 mm	B480305
24	4	Pcs.	Hexagon head screw	DIN 933 - M8x 12 A2	Z000373
25		Pcs.			
26		Pcs.			
27		Pcs.			
28		Pcs.			
29		Pcs.			