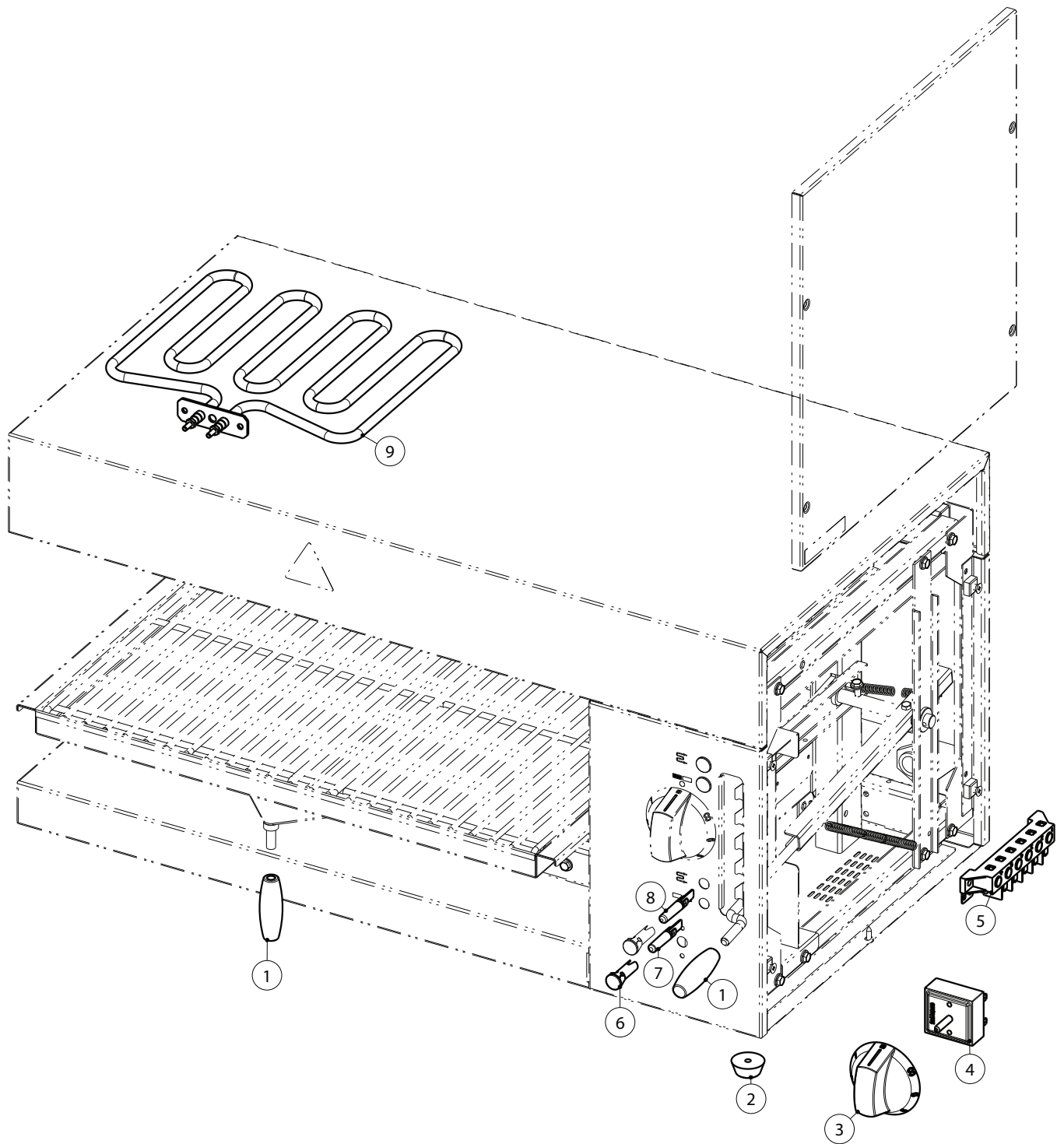


PNC	Model	Ref	Page	Notes
283016	E0UUBDBOMOA	a	2 - 3	ELECTROLUX
283023	Z0UUBDBOMOA	a	2 - 3	ZANUSSI
283030	N0UUBDBOMOA	a	2 - 3	TO BRAND
283017	E0UUBEBOMOA	b	2 - 3	ELECTROLUX
283024	Z0UUBEBOMOA	b	2 - 3	ZANUSSI
283031	N0UUBEBOMOA	b	2 - 3	TO BRAND



EL.SALAMANDER, FRONT OPEN, ADJ.GRID, 750MM
 SALAMANDRA EL., APERTURA FRONT., GRIGLIA REG., 750MM

Pos.	Cod.ric. Part No.	Factory Code	Descrizione	Description	v	w	t	c	Note/Notes
1	OCB609	RC01027000	Impugnatura	Handle					
2	OCB628	RC00013000	Piedino in gomma	Rubber foot					
3	OCB627	RC01877000	Manopola	Knob				x	
4	006906	RC00937000	Regolatore di energia	Energy regulator	x	x			
5	005420	RC00194000	Morsettiera	Terminal block					
6	OCB607	RC01783000	Portalampada trasparente d10	Transparent lampholder d10				x	
7	OCB608	RC01782000	Lampada verde 230v	Lamp green 230v			x		
8	004895	RC00052000	Lampada arancio 230v	Lamp orange 230v			x		
9	OC7090	RC00000109	Resistenza elettrica 2kw 230v	Heating element 2kw 230v	x				