



Model: KCHMC34

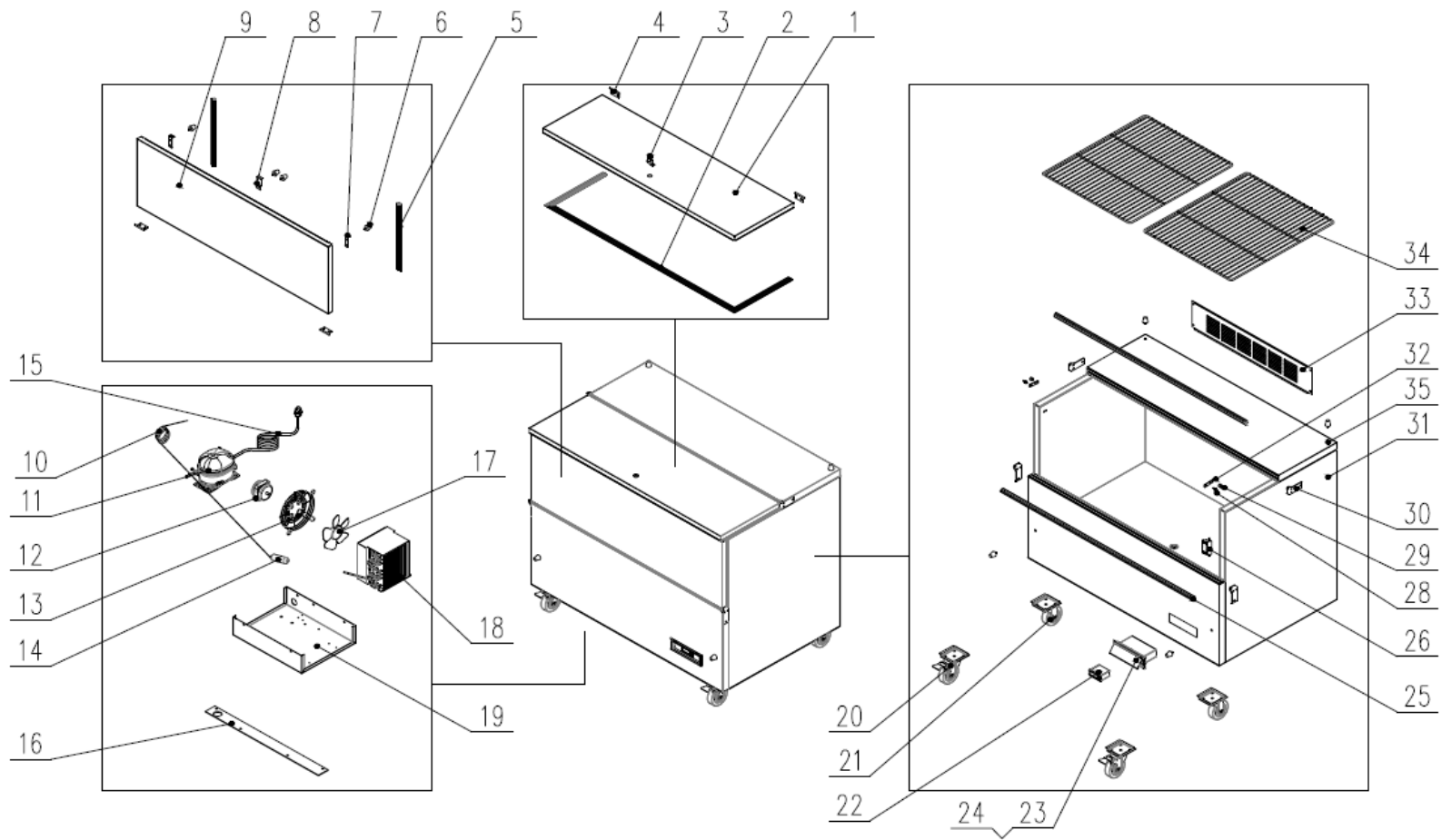
PNC: 738275

REV: 4/15/2024

Spare Parts List

| NO | DESCRIPTION | Serial # | QTY | COMPONENT PNC | Model Number | Model PNC |
|-----|---|-----------|------|---------------|--------------|-----------|
| 1 | TOP LID | <23120379 | 1PC | 0USM55 | KCHMC34 | 738275 |
| | | ≥23120379 | 1PC | 0USDSN | KCHMC34 | 738275 |
| 2 | TOP SEAL | <23120379 | 1PC | 0USM58 | KCHMC34 | 738275 |
| | | ≥23120379 | 1PC | 0USDSO | KCHMC34 | 738275 |
| 3 | LOCK (with Key) | ALL | 1PC | 0USM61 | KCHMC34 | 738275 |
| 4 | DOOR HINGE | <23120379 | 4PCS | 0USM62 | KCHMC34 | 738275 |
| | | ≥23120379 | 4PCS | 0USDT2 | KCHMC34 | 738275 |
| 5 | DOOR SEAL | <23120379 | 2PCS | 0USM63 | KCHMC34 | 738275 |
| | | ≥23120379 | 2PCS | 0USDUQ | KCHMC34 | 738275 |
| 6 | LOCATION KNOB | ALL | 4PCS | 0USH46 | KCHMC34 | 738275 |
| 7 | HOOK PLATE | ALL | 2PCS | 0USM64 | KCHMC34 | 738275 |
| 8 | LOCK HOOK | ALL | 1PC | 0USM65 | KCHMC34 | 738275 |
| 9 | FRONT DOOR | <23120379 | 1PC | 0USM66 | KCHMC34 | 738275 |
| | | ≥23120379 | 1PC | 0USE0A | KCHMC34 | 738275 |
| 10 | CAPILLARY | ALL | 1PC | 0USM53 | KCHMC34 | 738275 |
| 11 | COMPRESSOR | ALL | 1PC | 0USF28 | KCHMC34 | 738275 |
| 11a | COMPRESSOR ELECTRICAL COMPONENT SET | ALL | 1PC | 0USDF5 | KCHMC34 | 738275 |
| 12 | CONDENSER FAN | ALL | 1PC | 0USF40 | KCHMC34 | 738275 |
| 13 | BASKET GUARD GRILLS | ALL | 1PC | 0USDIJ | KCHMC34 | 738275 |
| 14 | FILTER DRIER | ALL | 1PC | 0USG65 | KCHMC34 | 738275 |
| 14a | DRIER SUPPORT | ALL | 1PC | 0USI78 | KCHMC34 | 738275 |
| 15 | PLUG | ALL | 1PC | 0USH67 | KCHMC34 | 738275 |
| 16 | CONNECTION PLATE | ALL | 2PCS | 0USM70 | KCHMC34 | 738275 |
| 17 | CONDENSER FAN BLADE | ALL | 1PC | 0USC4J | KCHMC34 | 738275 |
| 18 | CONDENSER | ALL | 1PC | 0USF34 | KCHMC34 | 738275 |
| 19 | UNIT BOARD | ALL | 1PC | 0USM71 | KCHMC34 | 738275 |
| 20 | BRAKE WHEEL | ALL | 2PCS | 0USF04 | KCHMC34 | 738275 |
| 21 | NORMAL WHEEL | ALL | 2PCS | 0USH64 | KCHMC34 | 738275 |
| 21a | Castor Mounting Bolt (4-PACK) | ALL | 4PC | 0USC2T | KCHMC34 | 738275 |
| 21b | Castor Mounting Locking Washer (4-PACK) | ALL | 4PC | 0USC2Z | KCHMC34 | 738275 |
| 21c | Castor Mounting Flat Washer (4-PACK) | ALL | 4PC | 0USC2Y | KCHMC34 | 738275 |
| 22 | Thermostat - Full Set | <14920713 | 1PC | 0USDAE | KCHMC34 | 738275 |
| 22a | THERMOSTAT CONTACTOR | <14920713 | 1PC | 0USC6J | KCHMC34 | 738275 |
| 22b | THERMOSTAT DISPLAY | <14920713 | 1PC | 0USN67 | KCHMC34 | 738275 |
| 22c | Thermostat Components | <14920713 | 1PC | 0USDAA | KCHMC34 | 738275 |
| 22 | TEMPERATURE CONTROLLER | ≥14920713 | 1PC | 0USDEV | KCHMC34 | 738275 |
| 22a | Inner Chest Temperature Sensor Probe | ALL | 1PC | 0USC4D | KCHMC34 | 738275 |
| 22b | Evaporator Temperature Sensor Probe | ALL | 1PC | 0USC6S | KCHMC34 | 738275 |

| | | | | | | |
|-----|-----------------------------|-----------|------|--------|---------|--------|
| 23 | THERMOSTAT BOX ; black | ALL | 1PC | 0USJ38 | KCHMC34 | 738275 |
| 24 | THERMOSTAT COVER | ALL | 1PC | 0USJ39 | KCHMC34 | 738275 |
| 25 | FRONT SEAL | ALL | 2PCS | 0USM72 | KCHMC34 | 738275 |
| 26 | Sensor Fixed Clip | ALL | 1PC | 0USM10 | KCHMC34 | 738275 |
| 28 | LOCATION AXIS | ALL | 2PCS | 0USM75 | KCHMC34 | 738275 |
| 29 | ROTATING AIXS | ALL | 2PCS | 0USM76 | KCHMC34 | 738275 |
| 30 | HINGE PLATE | <23120379 | 4PCS | 0USM77 | KCHMC34 | 738275 |
| 30 | HINGE PLATE RIGHT | ≥23120379 | 2PCS | 0USDZ9 | KCHMC34 | 738275 |
| 30a | HINGE PLATE LEFT | ≥23120379 | 2PCS | 0USDYT | KCHMC34 | 738275 |
| 30b | Axis Sleeve / Hinge Bushing | ALL | 4PCS | 0USE4R | KCHMC34 | 738275 |
| 31 | BODY | ALL | 1PC | N/A | KCHMC34 | 738275 |
| 31a | LOCATION KNOB (TALL) | ALL | 4PCS | 0USC4X | KCHMC34 | 738275 |
| 31b | DRAIN PIPE | ALL | 1PC | 0USM54 | KCHMC34 | 738275 |
| 32 | HOOK | ALL | 2PCS | 0USM78 | KCHMC34 | 738275 |
| 33 | UNIT ROOM COVER | ALL | 1PC | 0USM79 | KCHMC34 | 738275 |
| 34 | FLOOR PROTECTER SHELF | ALL | 2PCS | 0USN14 | KCHMC34 | 738275 |
| 35 | FIXED TOP | ALL | 1PC | 0USC4Y | KCHMC34 | 738275 |
| | DRAIN PLUG | ALL | 1PC | 0USE4P | KCHMC34 | 738275 |
| | O-RING FOR DRAIN | ALL | 1PC | 0USE4Q | KCHMC34 | 738275 |



EXPLODE OF KCHMC34/49/58