



Model: KCHMC49

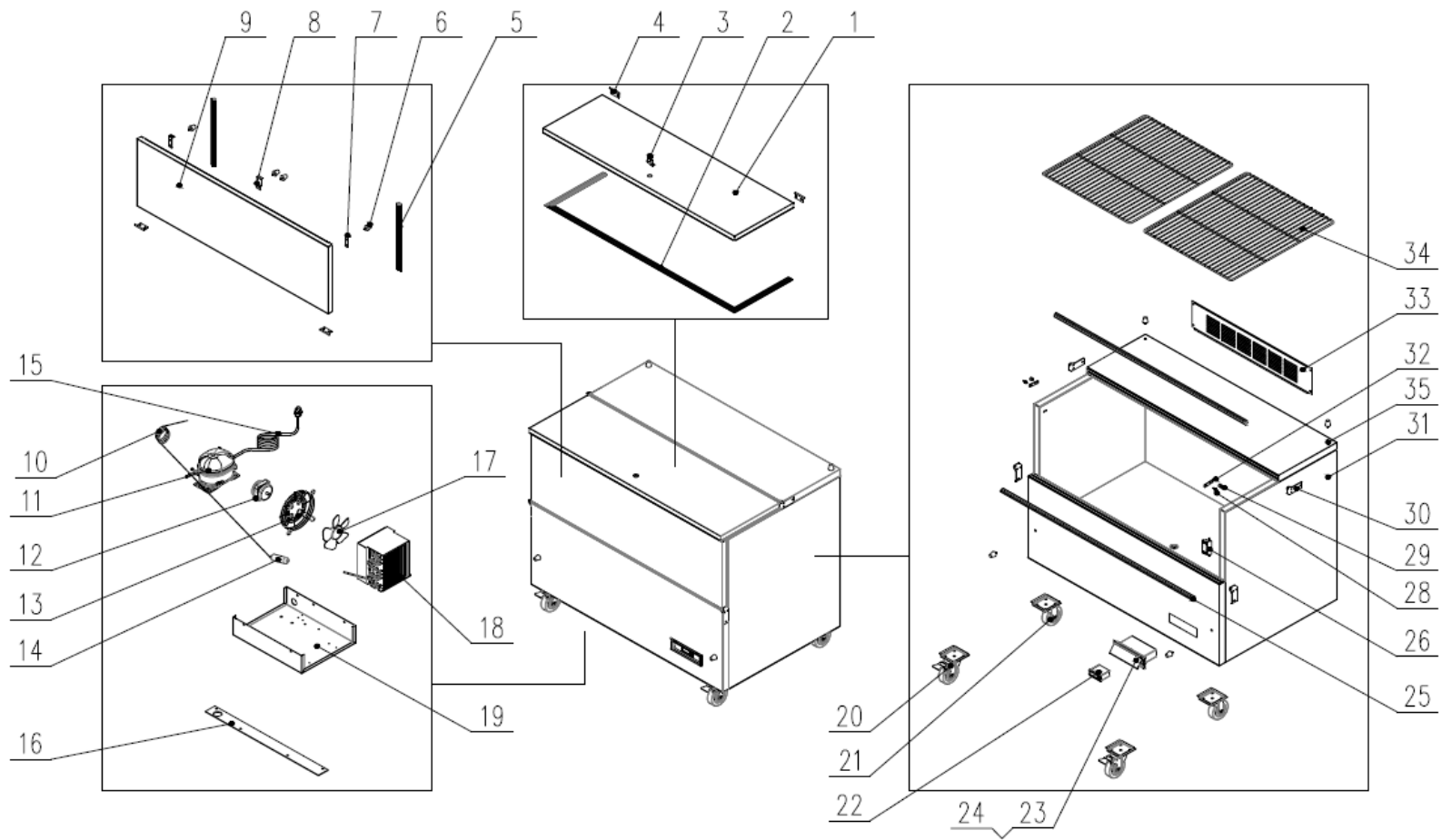
PNC: 738276

REV: 4/15/2024

### Spare Parts List

NO	DESCRIPTION	Serial #	QTY	COMPONENT PNC	Model Number	Model PNC
1	TOP LID	<22420013	1PC	0USM56	KCHMC49	738276
		≥22420013	1PC	0USDWQ	KCHMC49	738276
2	TOP SEAL	<22420013	1PC	0USM59	KCHMC49	738276
		≥22420013	1PC	0USDUU	KCHMC49	738276
3	LOCK (with Key)	ALL	1PC	0USM61	KCHMC49	738276
4	DOOR HINGE	<22420013	4PCS	0USM62	KCHMC49	738276
		≥22420013	4PCS	0USDT2	KCHMC49	738276
5	DOOR SEAL	<22420013	2PCS	0USM63	KCHMC49	738276
		≥22420013	2PCS	0USDV3	KCHMC49	738276
6	LOCATION KNOB	ALL	4PCS	0USH46	KCHMC49	738276
7	HOOK PLATE	ALL	2PCS	0USM64	KCHMC49	738276
8	LOCK HOOK	ALL	1PC	0USM65	KCHMC49	738276
9	FRONT DOOR	<22420013	1PC	0USM67	KCHMC49	738276
		≥22420013	1PC	0USE2I	KCHMC49	738276
10	CAPILLARY	ALL	1PC	0USM53	KCHMC49	738276
11	COMPRESSOR	ALL	1PC	0USF28	KCHMC49	738276
11a	COMPRESSOR ELECTRICAL COMPONENT SET	ALL	1PC	0USDF5	KCHMC49	738276
12	CONDENSER FAN	ALL	1PC	0USF40	KCHMC49	738276
13	BASKET GUARD GRILLS	ALL	1PC	0USDIJ	KCHMC49	738276
14	FILTER DRIER	ALL	1PC	0USG65	KCHMC49	738276
14a	DRIER SUPPORT	ALL	1PC	0USI78	KCHMC49	738276
15	PLUG	ALL	1PC	0USH67	KCHMC49	738276
16	CONNECTION PLATE	ALL	2PCS	0USM70	KCHMC49	738276
17	CONDENSER FAN BLADE	ALL	1PC	0USC4J	KCHMC49	738276
18	CONDENSER	ALL	1PC	0USF34	KCHMC49	738276
19	UNIT BOARD	ALL	1PC	0USM71	KCHMC49	738276
20	BRAKE WHEEL	ALL	2PCS	0USF04	KCHMC49	738276
21	NORMAL WHEEL	ALL	2PCS	0USH64	KCHMC49	738276
21a	Castor Mounting Bolt (4-PACK)	ALL	4PC	0USC2T	KCHMC49	738276
21b	Castor Mounting Locking Washer (4-PACK)	ALL	4PC	0USC2Z	KCHMC49	738276
21c	Castor Mounting Flat Washer (4-PACK)	ALL	4PC	0USC2Y	KCHMC49	738276
22	Thermostat - Full Set	<03021025	1PC	0USDAE	KCHMC49	738276
22a	THERMOSTAT CONTACTOR	<03021025	1PC	0USC6J	KCHMC49	738276
22b	THERMOSTAT DISPLAY	<03021025	1PC	0USN67	KCHMC49	738276
22c	Thermostat Components	<03021025	1PC	0USDAA	KCHMC49	738276
22	TEMPERATURE CONTROLLER	≥03021025	1PC	0USDEV	KCHMC49	738276
22a	Inner Chest Temperature Sensor Probe	ALL	1PC	0USC4D	KCHMC49	738276
22b	Evaporator Temperature Sensor Probe	ALL	1PC	0USC6S	KCHMC49	738276
23	THERMOSTAT BOX ; black	ALL	1PC	0USJ38	KCHMC49	738276
24	THERMOSTAT COVER	ALL	1PC	0USJ39	KCHMC49	738276
25	FRONT SEAL	ALL	2PCS	0USM73	KCHMC49	738276
26	Sensor Fixed Clip	ALL	1PC	0USM10	KCHMC49	738276
28	LOCATION AXIS	ALL	2PCS	0USM75	KCHMC49	738276
29	ROTATING AIXS	ALL	2PCS	0USM76	KCHMC49	738276
30	HINGE PLATE	<22420013	4PCS	0USM77	KCHMC49	738276
30	Hinge plate Right	≥22420013	2PCS	0USDZ9	KCHMC49	738276
30a	Hinge plate Left	≥22420013	2PCS	0USDYT	KCHMC49	738276
30b	Axis Sleeve / Hinge Bushing	ALL	4PCS	0USE4R	KCHMC49	738276

31	BODY	ALL	1PC	N/A	KCHMC49	738276
31a	LOCATION KNOB (TALL)	ALL	4PCS	0USC4X	KCHMC49	738276
31b	DRAIN PIPE	ALL	1PC	0USM54	KCHMC49	738276
32	HOOK	ALL	2PCS	0USM78	KCHMC49	738276
33	UNIT ROOM COVER	ALL	1PC	0USM79	KCHMC49	738276
34	FLOOR PROTECTOR SHELF	ALL	2PCS	0USN15	KCHMC49	738276
35	FIXED TOP	ALL	1PC	0USC4Z	KCHMC49	738276
	DRAIN PLUG	ALL	1PC	0USE4P	KCHMC49	738276
	O-RING FOR DRAIN	ALL	1PC	0USE4Q	KCHMC49	738276



EXPLODE OF KCHMC34/49/58