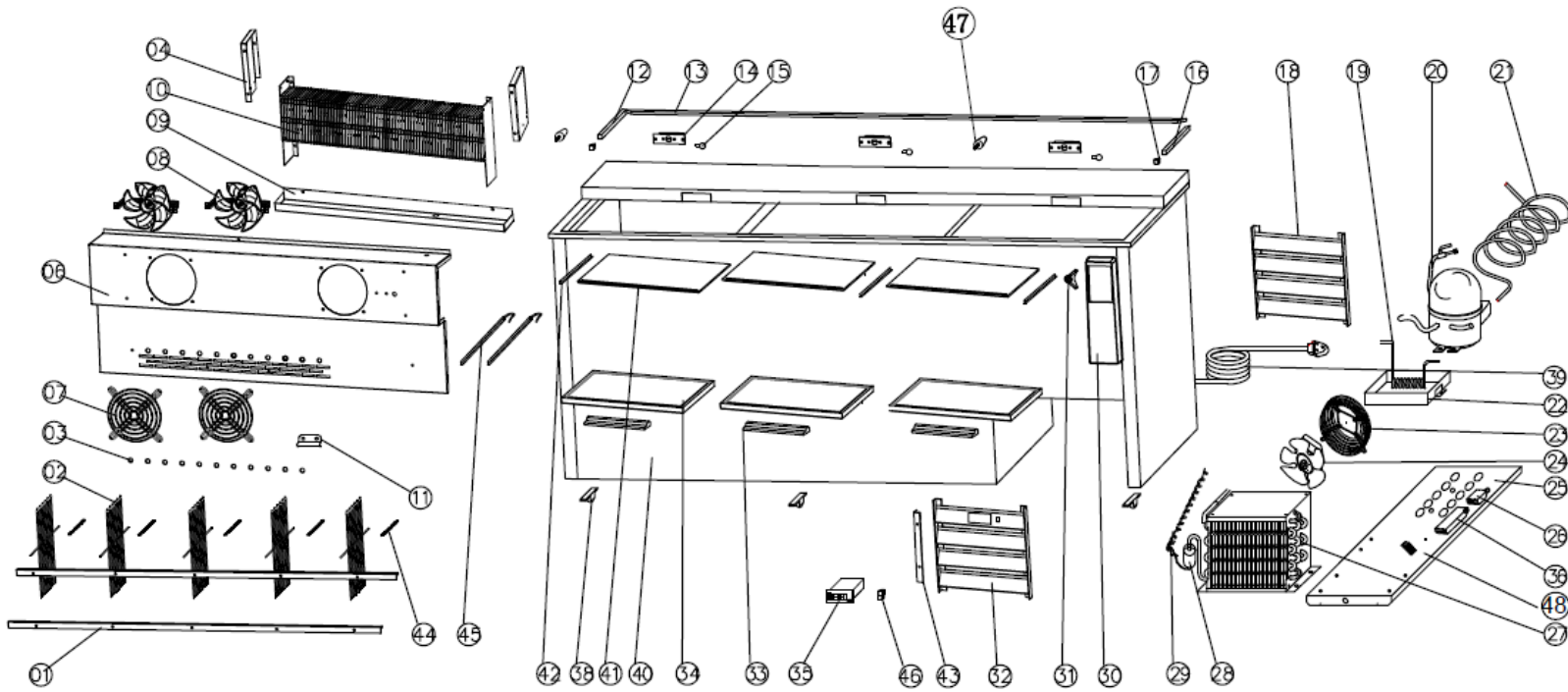


Spare Parts List

NO	DESCRIPTION	Serial #	QTY	COMPONENT PNC	Model Number	Model PNC
1	SUPPORT	ALL	4PCS	0USH86	KCHBC95	738293
1a	Shelf Support Screw	ALL		0USM14	KCHBC95	738293
2	SHELF	ALL	5PCS	0USC0I	KCHBC95	738293
3	SHELF PROTECTOR PIN	ALL	72PCS	0USI45	KCHBC95	738293
4	Evaporator Support L	ALL	1PC	0USG46	KCHBC95	738293
4a	Evaporator Support R	ALL	1PC	0USM25	KCHBC95	738293
6	EVAPORATOR COVER	ALL	1PC	0USM27	KCHBC95	738293
7	CIRCLE FAN COVER	ALL	2PCS	0USF21	KCHBC95	738293
8	CIRCLE FAN	ALL	2PCS	0USL90	KCHBC95	738293
9	EVAPORATOR WATER PAN	ALL	1PC	0USM28	KCHBC95	738293
10	EVAPORATOR	ALL	1PC	0USM26	KCHBC95	738293
10a	Evaporator Temperature Sensor Probe	ALL	1PC	0USC6R	KCHBC95	738293
11	SENSOR FIXED CLIP	ALL	1PC	0USM10	KCHBC95	738293
12	Left Omament A	ALL	1PC	0USH44	KCHBC95	738293
12a	Left Omament B	ALL	1PC	0USM29	KCHBC95	738293
13	Back Omament A	ALL	1PC	0USI68	KCHBC95	738293
13a	Back Omament B	ALL	1PC	0USM30	KCHBC95	738293
14	LOCK BOX	ALL	3PCS	0USH50	KCHBC95	738293
14a	Lock Box Cover	ALL	3PCS	0USL09	KCHBC95	738293
15	LOCK (with key)	ALL	3PCS	0USH49	KCHBC95	738293
16	Right Omament A	ALL	1PC	0USH73	KCHBC95	738293
16a	Right Omament B	ALL	1PC	0USM31	KCHBC95	738293
17	OMAMENT CLIP	ALL	2PCS	0USH66	KCHBC95	738293
18	BACK AIR FLOW WINDOW	ALL	1PC	0USE94	KCHBC95	738293
19	EVAPORATE PIPE	ALL	1PC	0USM32	KCHBC95	738293
20	COMPRESSOR	ALL	1PC	0USF32	KCHBC95	738293
20a	COMPRESSOR ELECTRICAL COMPONENT SET	ALL	1PC	0USDF8	KCHBC95	738293
21	SUCTION PIPE	ALL	1PC	0USH78	KCHBC95	738293
22	WATER BOX	ALL	1PC	0USI34	KCHBC95	738293
23	BASKET GUARD GRILLS	<0262010 0	1PC	0USI47	KCHBC95	738293
		≥0262010 0	1PC	0USDCI	KCHBC95	738293
24	CONDENSER FAN	ALL	1PC	0USF41	KCHBC95	738293
24a	CONDENSER FAN BLADE	ALL	1PC	0USI52	KCHBC95	738293
25	UNIT BOARD	ALL	1PC	0USI03	KCHBC95	738293
26	LED POWER SUPPLY	ALL	1PC	0USH36	KCHBC95	738293
27	CONDENSER	ALL	1PC	0USF35	KCHBC95	738293
28	FILTER DRIER	ALL	1PC	0USG65	KCHBC95	738293
29	CAPILLARY	ALL	1PC	0USM33	KCHBC95	738293
30	BOTTLE CAP BOX	ALL	1PC	0USF01	KCHBC95	738293
31	BOTTLE OPENER	ALL	1PC	0USF02	KCHBC95	738293
32	FRONT AIR FLOW WINDOW	ALL	1PC	0USG74	KCHBC95	738293

33	HANDLE	ALL	2PCS	0USH08	KCHBC95	738293
34	DOOR	ALL	2PCS	0USJ03	KCHBC95	738293
35	TEMPERATURE CONTROLLER	<0102108 9	1PC	0USF42	KCHBC95	738293
		≥0102108 9	1PC	0USDET	KCHBC95	738293
35a	Inner Chest Temperature Sensor Probe	ALL	1PC	0USC4C	KCHBC95	738293
36	LED POWER SUPPLY	ALL	1PC	0USH37	KCHBC95	738293
38	BACK WHEEL	ALL	6PCS	0USE98	KCHBC95	738293
39	PLUG	ALL	1PC	0USH67	KCHBC95	738293
40	BODY	ALL	1PC	N/A	KCHBC95	738293
41	AIR CONDUCT BOARD	ALL	3PCS	0USM34	KCHBC95	738293
42	Air Conduct Board Support L	ALL	3PCS	0USE92	KCHBC95	738293
42a	Air Conduct Board Support R	ALL	3PCS	0USM35	KCHBC95	738293
43	Window Fixed Strip L	ALL	1PC	0USI42	KCHBC95	738293
43a	Window Fixed Strip R	ALL	1PC	0USM36	KCHBC95	738293
44	SPRING	ALL	5PCS	0USJ02	KCHBC95	738293
45	LED LAMP	ALL	2PCS	0USH31	KCHBC95	738293
46	LIGHT SWITCH	ALL	1PC	0USH45	KCHBC95	738293
47	LOCATION KNOB	ALL	2PCS	0USH46	KCHBC95	738293
48	CABLE CONNECTOR	ALL	1PC	0USF09	KCHBC95	738293



EXPLODE DRAWING OF KCHBC95