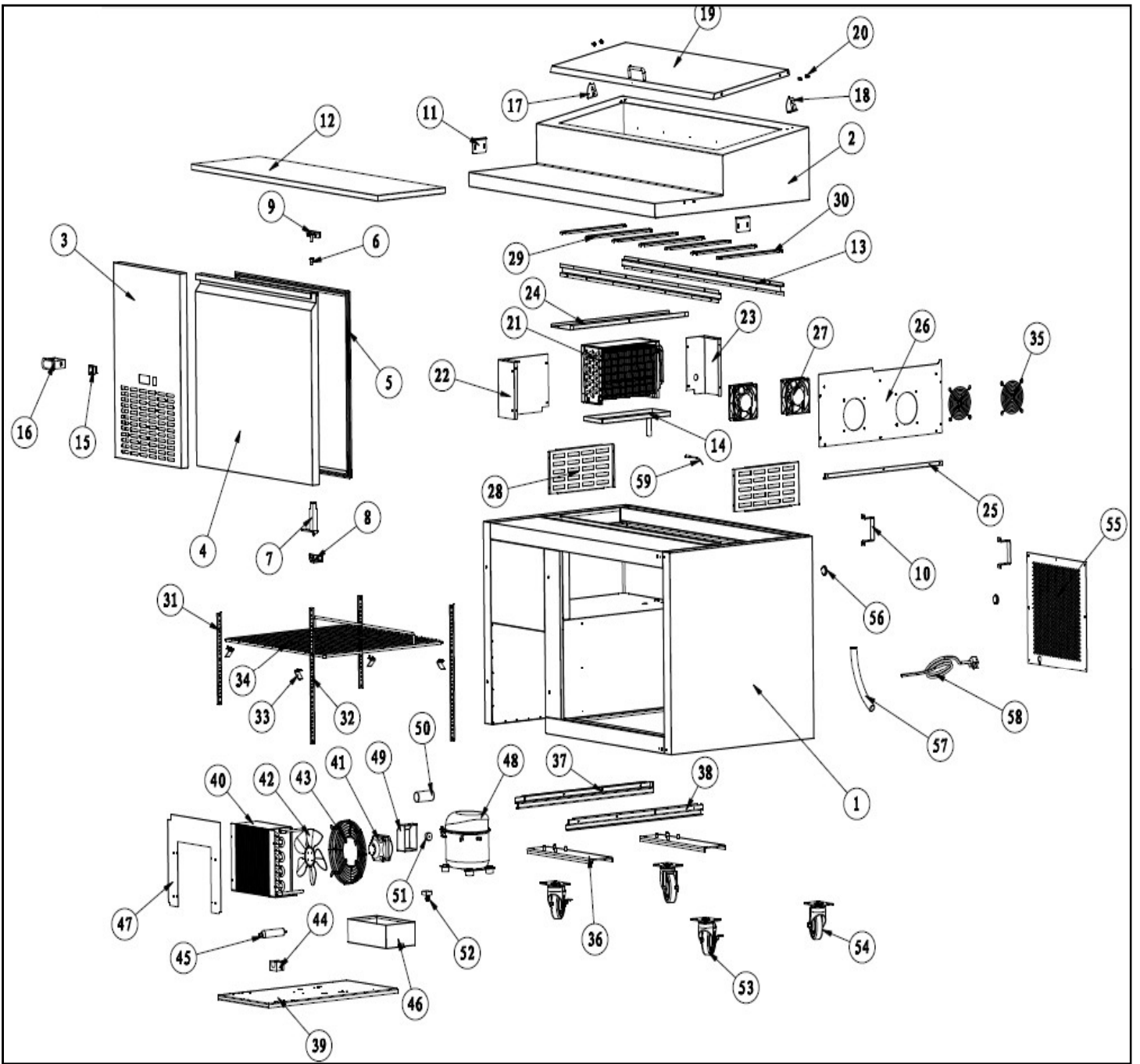


KCPT50.6/738013

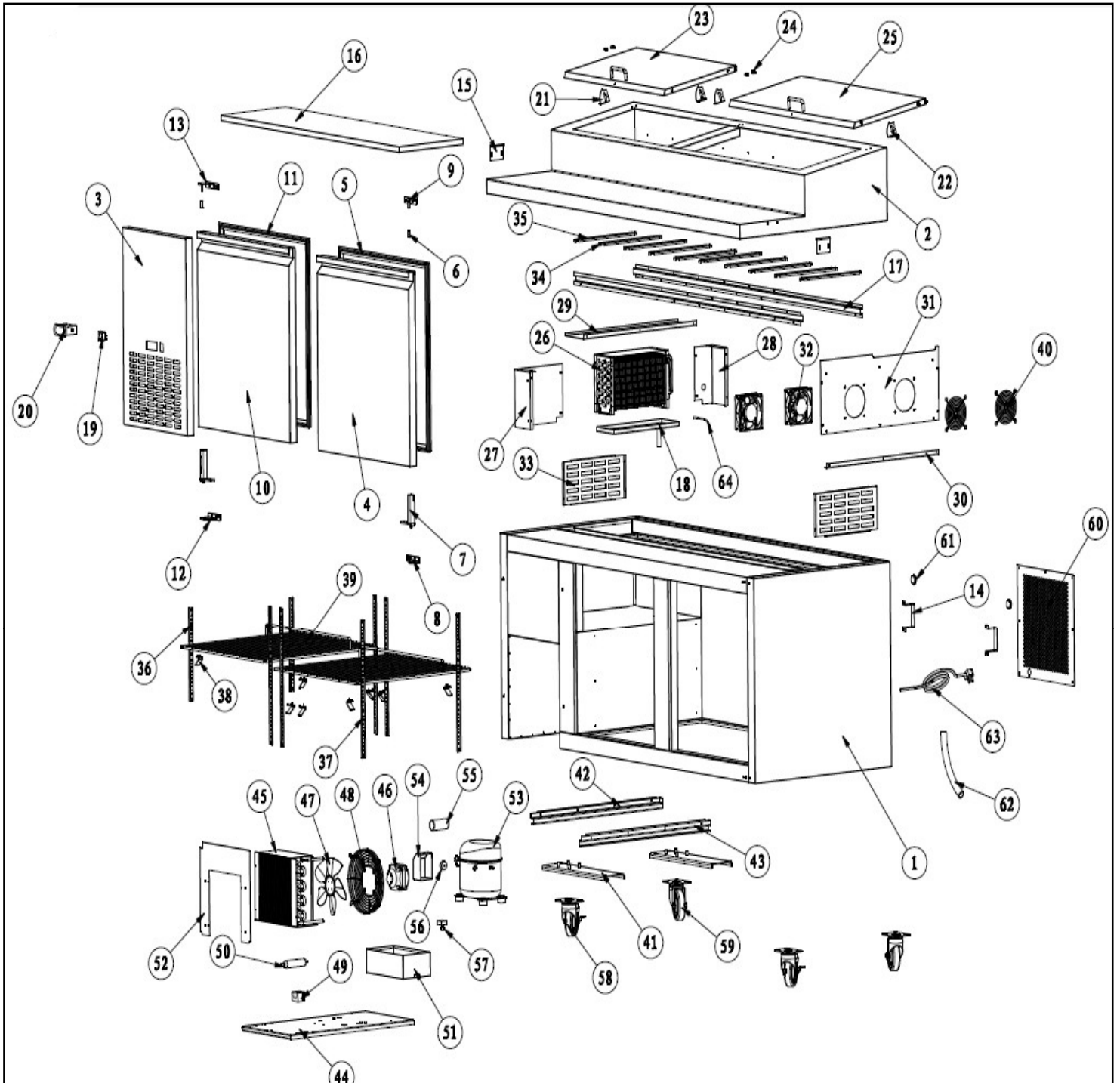


KCPT50.6/738013 PARTS LIST

NO.	PARTS ENGLISH NAME	AMOUNTS	FACTORY PARTS NO.	ELECTROLUX PART NO.	PRICE (USD)
1	CABINET	1	N/A		
2	TOP COMPONENT	1	N/A		
3	CONTROL PANEL	1	P103		
4	DOOR	1	P104		
5	GASKET	1	P105		
6	HINGE AXIS	1	27R03		
7	SPRING HINGE	1	CFD1RR-06		
8	BOTTOM RIGHT HINGE	1	27R04		
9	UPPER RIGHT HINGE	1	27R05		
10	STAND OFF BRACKET	2	27R10		
11	FIXER FOR CUTTING BOARD	2	P106		
12	CUTTING BOARD	1	P107		
13	BRACKET FOR PAN	2	P108		
14	INNER DRAIN PAN	1	P109		
15	POWER SWITCH	1	CFD1RR-25		
16	THERMOSTAT	1	CFD1RR-24		
17	LEFT HINGE FOR THE LID	1	P110		
18	RIGHT HINGE FOR THE LID	1	P111		
19	LID	1	P112		
20	LID HINGE AXIS	4	P113		
21	EVAPORATOR	1	P114		
22	LEFT SUPPORT OF EVAPORATOR COVER	1	P115		
23	RIGHT SUPPORT OF EVAPORATOR COVER	1	P116		
24	UPPER SUPPORT OF EVAPORATOR COVER	1	P117		
25	BOTTOM SUPPORT OF EVAPORATOR COVER	1	P118		
26	EVAPORATOR FAN COVER	1	P119		
27	EVAPORATOR FAN MOTOR	2	CFD1RR-23		
28	INNER GRILL	2	P120		
29	PAN BRACKET-25mm WIDE	5	P121		

30	PAN BRACKET-15mm WIDE	2	P122		
31	K STRIP-3 HOLES	2	27R19		
32	K STRIP-4 HOLES	2	P123		
33	K CLIP	4	25819		
34	SHELF	1	P124		
35	EVAPORATOR FAN MOTOR COVER	2	P136		
36	CASTOR SUPPORTER	2	P125		
37	LEFT TRACK FOR COMPRESSOR INSTALLATION BOARD	1	P126		
38	RIGHT TRACK FOR COMPRESSOR INSTALLATION BOARD	1	P127		
39	COMPRESSOR UNIT INSTALLATION BOARD	1	P128		
40	CONDENSER	1	P129		
41	CONDENSER FAN MOTOR	1	CFD1RR-41		
42	CONDENSER FAN MOTOR BLADE	1	P130		
43	CONDENSER FAN MOTOR COVER	1	P131		
44	FILTER FIXER	1	CFD1RR-44		
45	FILTER	1	CFD1RR-45		
46	OUTER DRAIN PAN	1	P132		
47	AIR SHIELD BOARD	1	P133		
48	COMPRESSOR(6170)	1	CFD1RR-47		
49	SPLICE BOX	1	CFD1RR-47-01		
50	START CAPACITOR	1			
51	OVERLOAD PROTECTOR	1			
52	STARTER	1			
53	4" CASTOR WITH BRAKE	2	CFD1RR-32		
54	4" CASTOR	2	CFD1RR-33		
55	BACK GRILL	1	P134		
56	FOAMING HOLE COVER	2	CFD1RR-35		
57	DRAIN TUBE(Φ16mm)	1	P135		
58	POWER CORD	1	25829		
59	TEMPERATURE SENSOR OF CABINET INSIDE	1	CFD1RR-48		

KCPT72.9/738014

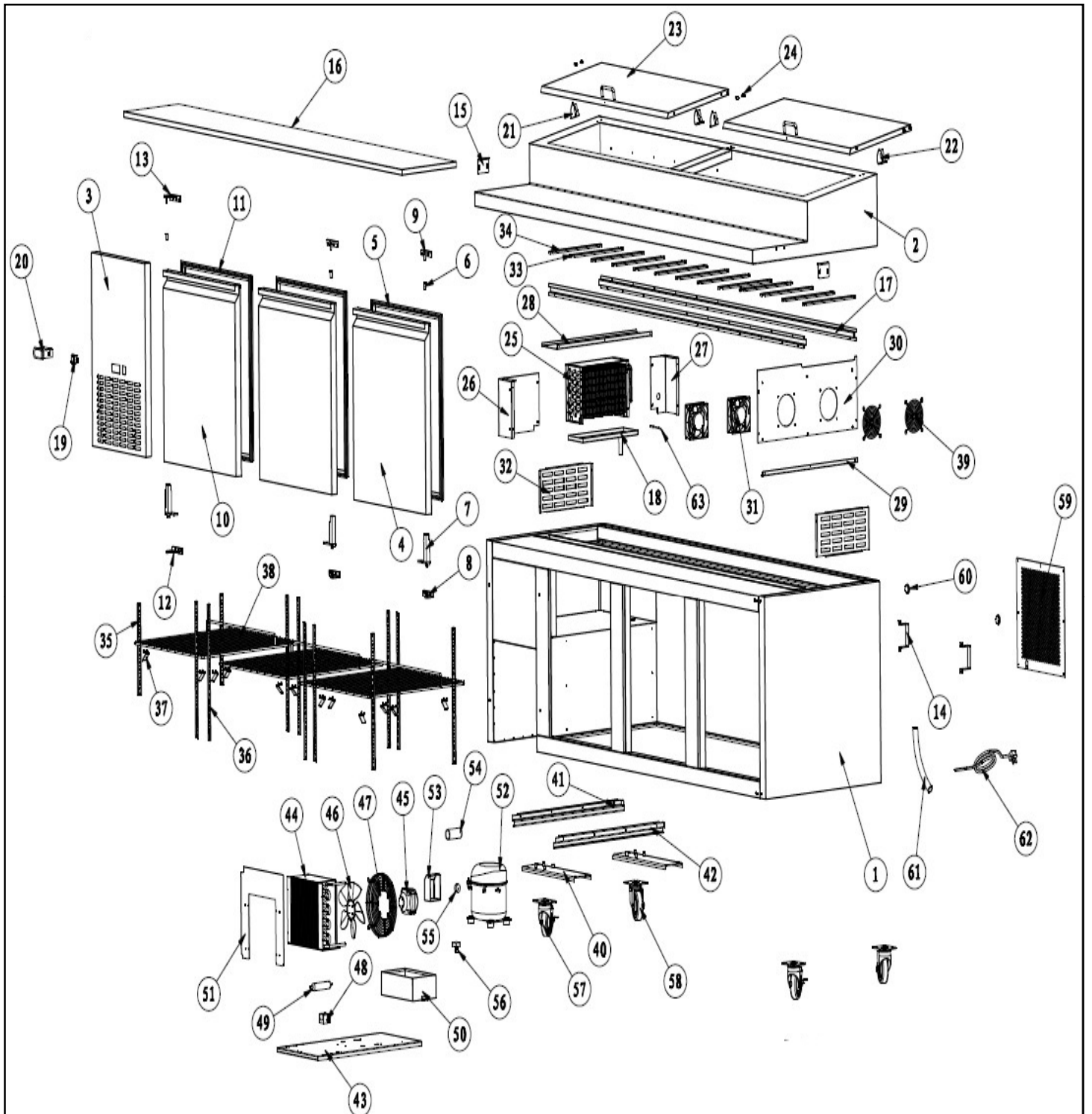


KCPT72.9/738014 PARTS LIST

NO.	PARTS ENGLISH NAME	AMOUNTS	FACTORY PARTS NO.	ELECTROLUX PARTS NO.	PRICE (USD)
1	CABINET	1	N/A	N/A	N/A
2	TOP COMPONENT	1	N/A	N/A	N/A
3	CONTROL PANEL	1	P103		
4	RIGHT DOOR	1	P204		
5	GASKET	1	P205		
6	HINGE AXIS	2	27R03		
7	SPRING HINGE	2	CFD1RR-06		
8	BOTTOM RIGHT HINGE	1	27R04		
9	UPPER RIGHT HINGE	1	27R05		
10	LEFT DOOR	1	P206		
11	GASKET	1	P205		
12	BOTTOM LEFT HINGE	1	48R04		
13	UPPER LEFT HINGE	1	48R05		
14	STAND OFF BRACKET	2	27R10		
15	FIXER FOR CUTTING BOARD	2	P106		
16	CUTTING BOARD	1	P207		
17	BRACKET FOR PAN	2	P208		
18	INNER DRAIN PAN	1	P209		
19	POWER SWITCH	1	CFD1RR-25		
20	THERMOSTAT	1	CFD1RR-24		
21	LEFT HINGE FOR THE LID	2	P110		
22	RIGHT HINGE FOR THE LID	2	P111		
23	LID(SMALL)	1	P210		
24	LID HINGE AXIS	8	P113		
25	LID(BIG)	1	P211		
26	EVAPORATOR	1	P212		
27	LEFT SUPPORT OF EVAPORATOR COVER	1	P213		
28	RIGHT SUPPORT OF EVAPORATOR COVER	1	P116		
29	UPPER SUPPORT OF EVAPORATOR COVER	1	P117		
30	BOTTOM SUPPORT OF EVAPORATOR COVER	1	P118		
31	EVAPORATOR FAN COVER	1	P119		
32	EVAPORATOR FAN MOTOR	2	CFD1RR-23		
33	INNER GRILL	2	P120		
34	PAN BRACKET-25mm WIDE	8	P121		
35	PAN BRACKET-15mm WIDE	2	P122		
36	K STRIP-3 HOLES	2	27R19		

37	K STRIP-4 HOLES	6	P123		
38	K CLIP	8	25819		
39	SHELF	2	P214		
40	EVAPORATOR FAN MOTOR COVER	2	P136		
41	CASTOR SUPPORT	2	P125		
42	LEFT TRACK FOR COMPRESSOR INSTALLATION BOARD	1	P126		
43	RIGHT TRACK FOR COMPRESSOR INSTALLATION BOARD	1	P127		
44	COMPRESSOR UNIT INSTALLATION BOARD	1	P128		
45	CONDENSER	1	CFD1RR-40		
46	CONDENSER FAN MOTOR	1	CFD2RR-41		
47	CONDENSER FAN MOTOR BLADE	1	CFD1RR-43		
48	CONDENSER FAN MOTOR COVER	1	CFD1RR-42		
49	FILTER FIXER	1	CFD1RR-44		
50	FILTER	1	CFD1RR-45		
51	OUTER DRAIN PAN	1	P132		
52	AIR SHIELD BOARD	1	P133		
53	COMPRESSOR(6187)	1	64835		
54	SPLICE BOX	1	64836		
55	START CAPACITOR	1			
56	OVERLOAD PROTECTOR	1			
57	STARTER	1			
58	4" CASTOR WITH BRAKE	2	CFD1RR-32		
59	4" CASTOR	2	CFD1RR-33		
60	BACK GRILL	1	P134		
61	FOAMING HOLE COVER	2	CFD1RR-35		
62	DRAIN TUBE(Φ16mm)	1	P135		
63	POWER CORD	1	25829		
64	TEMPERATURE SENSOR OF CABINET INSIDE	1	CFD1RR-48		
65	THERMOMETER	1		S120	

KCPT92.12/738015



KCPT92.12/738015 PARTS LIST

NO.	PARTS ENGLISH NAME	AMOUNTS	FACTORY PARTS NO.	ELECTROLUX PARTS NO.	PRICE (USD)
1	CABINET	1	N/A	N/A	N/A
2	TOP COMPONENT	1	N/A	N/A	N/A
3	CONTROL PANEL	1	P103		
4	DOOR (MIDDLE AND RIGHT)	2	P303		
5	GASKET	2	P304		
6	HINGE AXIS	3	27R03		
7	SPRING HINGE	3	CFD1RR-06		
8	BOTTOM RIGHT HINGE	2	27R04		
9	UPPER RIGHT HINGE	2	27R05		
10	DOOR(LEFT)	1	P305		
11	GASKET	1	P304		
12	BOTTOM LEFT HINGE	1	48R04		
13	UPPER LEFT HINGE	1	48R05		
14	STAND OFF BRACKET	2	27R10		
15	FIXER FOR CUTTING BOARD	2	P106		
16	CUTTING BOARD	1	P306		
17	BRACKET FOR PAN	2	P307		
18	INNER DRAIN PAN	1	P308		
19	POWER SWITCH	1	CFD1RR-25		
20	THERMOSTAT	1	CFD1RR-24		
21	LEFT HINGE FOR THE LID	2	P110		
22	RIGHT HINGE FOR THE LID	2	P111		
23	LID	2	P309		
24	LID HINGE AXIS	4	P113		
25	EVAPORATOR	1	P310		
26	LEFT SUPPORT OF EVAPORATOR COVER	1	P311		
27	RIGHT SUPPORT OF EVAPORATOR COVER	1	P116		
28	UPPER SUPPORT OF EVAPORATOR COVER	1	P117		
29	BOTTOM SUPPORT OF EVAPORATOR COVER	1	P118		
30	EVAPORATOR FAN COVER	1	P312		
31	EVAPORATOR FAN MOTOR	2	P313		
32	INNER GRILL	2	P120		
33	PAN BRACKET-25mm WIDE	11	P121		
34	PAN BRACKET-15mm WIDE	2	P122		
35	K STRIP-3 HOLES	2	27R19		
36	K STRIP-4 HOLES	10	P123		
37	K CLIP	12	25819		
38	SHELF	3	P314		

39	EVAPORATOR FAN MOTOR COVER	2	P315		
40	CASTOR SUPPORT	2	P125		
41	LEFT TRACK FOR COMPRESSOR INSTALLATION BOARD	1	P126		
42	RIGHT TRACK FOR COMPRESSOR INSTALLATION BOARD	1	P127		
43	COMPRESSOR UNIT INSTALLATION BOARD	1	P128		
44	CONDENSER	1	CFD1FF-40		
45	CONDENSER FAN MOTOR	1	CFD2RR-41		
46	CONDENSER FAN MOTOR BLADE	1	CFD1RR-43		
47	CONDENSER FAN MOTOR COVER	1	CFD1RR-42		
48	FILTER FIXER	1	CFD1RR-44		
49	FILTER	1	CFD1RR-45		
50	OUTER DRAIN PAN	1	P132		
51	AIR SHIELD BOARD	1	P133		
52	COMPRESSOR(6213)	1	CFD2RR-47		
53	SPLICE BOX	1	CFD2RR-47-01		
54	START CAPACITOR	1			
55	OVERLOAD PROTECTOR	1			
56	STARTER	1			
57	4" CASTOR WITH BRAKE	3	CFD1RR-32		
58	4" CASTOR	3	CFD1RR-33		
59	BACK GRILL	1	P134		
60	FOAMING HOLE COVER	2	CFD1RR-35		
61	DRAIN TUBE(Φ16mm)	1	P135		
62	POWER CORD	1	CFD1RR-38		
63	TEMPERATURE SENSOR OF CABINET INSIDE	1	CFD1RR-48		
64	THERMOMETER	1	S120		