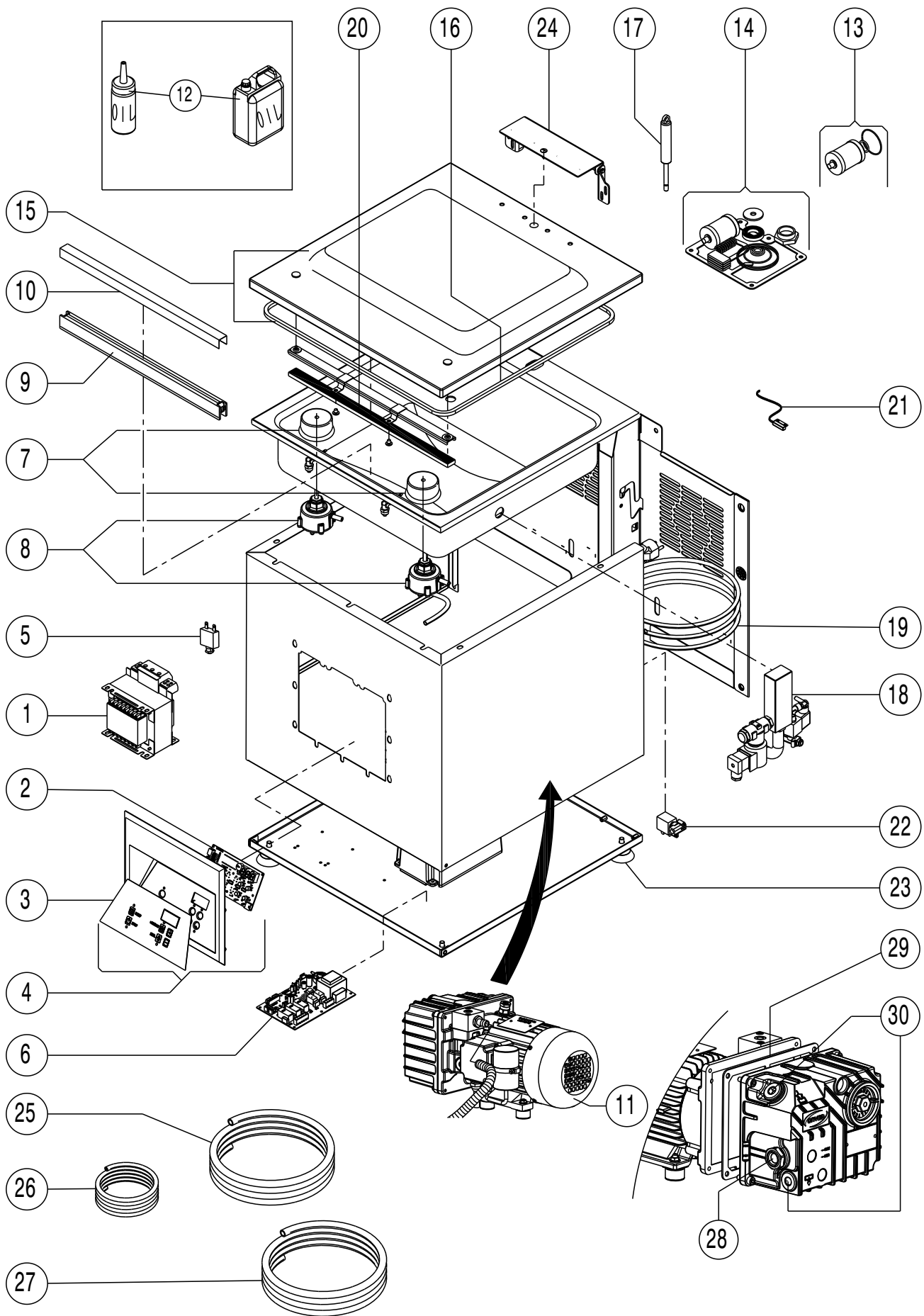


## SPARE PART CATALOGUE VACCUM SEALER

Code	Model	Ref	Page	Description	Notes
602179	EVP12D	a		VACUUM PACKER 12 M3/H, TABLE TOP, DIGITAL DISPLAY	.....
602185	DVP12D	b		VACUUM PACKER 12 M3/H, TABLE TOP, DIGITAL DISPLAY	.....



INDEX REFERENCE NAME

From sr. Nr/ Da Ser. Nr.:

From status level / Da scatto:

