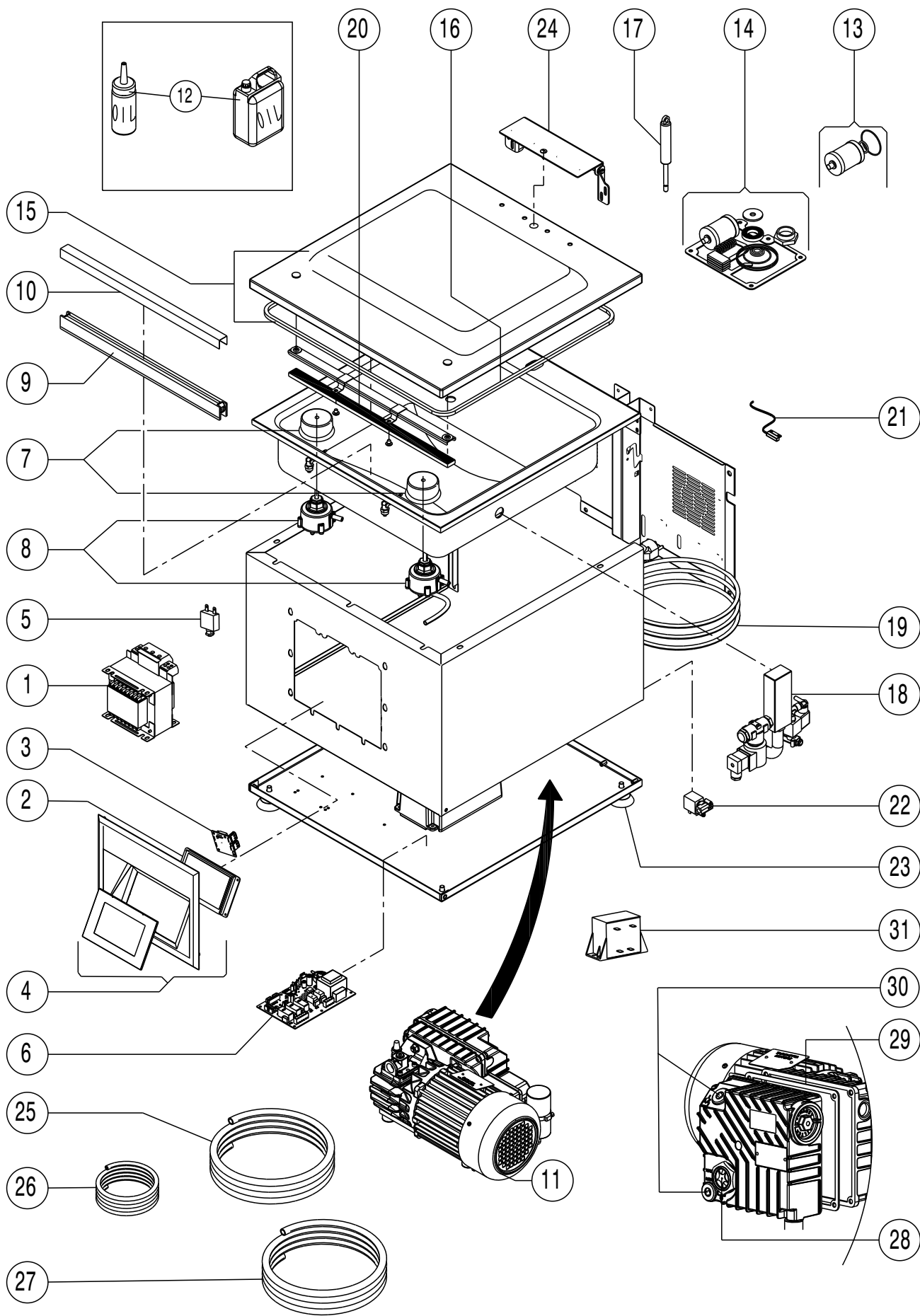


## SPARE PART CATALOGUE VACCUM SEALER

Code	Model	Ref	Page	Description	Notes
602181	EVP20T	a		VACUUM PACKER 20 M3/H, TABLE TOP, TOUCH SCREEN	.....
602187	DVP20T	b		VACUUM PACKER 20 M3/H, TABLE TOP, TOUCH SCREEN	.....



INDEX REFERENCE NAME

From sr. Nr/ Da Ser. Nr.:

From status level / Da scatto:

