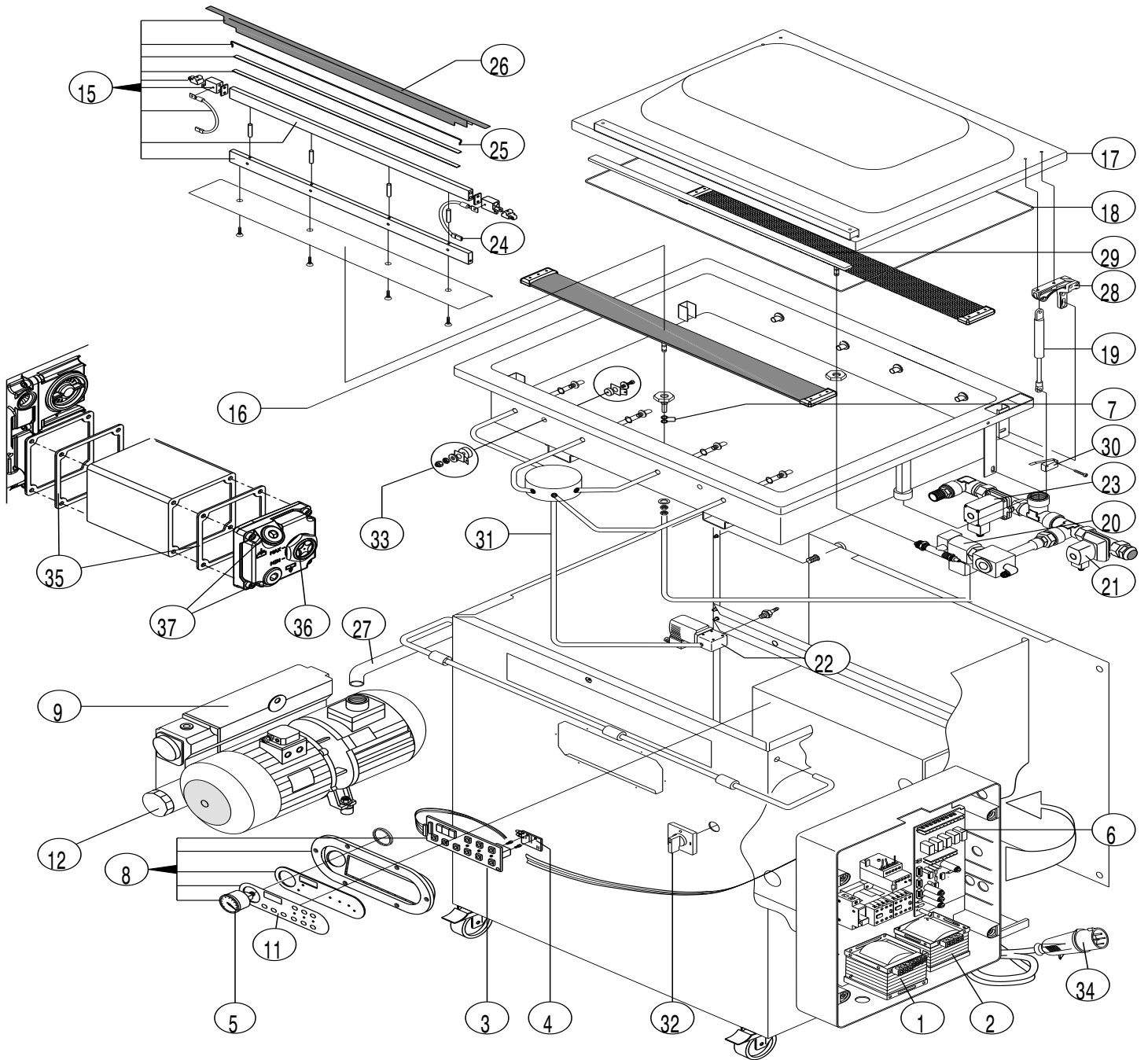
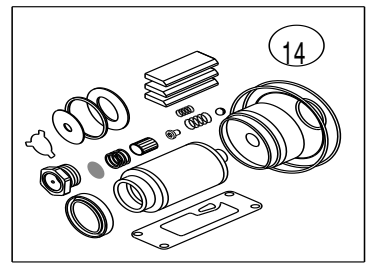
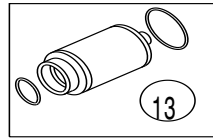
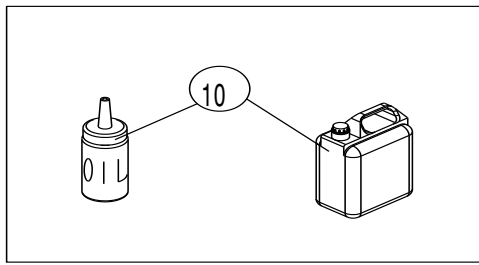


## SPARE PART CATALOGUE VACCUM SEALER

Code	Model	Ref	Page	Description	Notes
602183	EVP60A	a		VACUUM PACKER 60 M3/H, ON WHEELS	.....
602197	DVP60A	b		VACUUM PACKER 60 M3/H, ON WHEELS	.....



INDEX REFERENCE NAME

From sr. Nr/ Da Ser. Nr.:

From status level / Da scatto:

**VACUUM SEALER**

Pos.	Factory Code	Spare Part Code	Description	V	W&T	Ref	Notes	S/N break
1	1602655		TRANSFORMER 500VA 220-380/12-18V				2BL	
2	1604632		TRANSFORMER 200VA 0-230-400/0-22V					
3	1601923		COMMAND BOARD B012.1 - GG9,4+GG8				B012	
4	1603278		PRESSURE TRANSDUCER MODULE B063.0					
5	1603378		VACUUM GAUGE D=50MM					
6	1601837		POWER BOARD PJ029 400V MC					
7	1604043		O-R FOR COUPLING NOZZLE (10 PCS)					
8	1605919		COMPLETE CONTROL PANEL B012 ELECTROLUX			a	B012	
9	1602392		VACUUM PUMP LC 60 230-400V 50/60HZ				60 MCH	
10	1601840		PUMP OIL ORV60 I+IL				60 MCH	
10	1601038		PUMP OIL ORV60 10L				60 MCH	
11	1605918		OVAL CONTROLS STICKER MC B012.1 ELECTROLUX			a	B012	
12	1602535		PUMP OIL FILTER 60/151 M³/H					
13	1602532		VACUUM PUMP OIL SEPARATOR FILTER LB60/LC60 VM19/20/1800				60 MCH	
14	1602764		MAJOR KIT FOR VACUUM PUMP LC60 (K9601068/1)				LC60	
15	1602769		SEALING BAR 640X43X15				2BL	
16	1602453		SEALBAG L=550mm				2BL	
17	1601805		LID VM20					
18	1604393		BLACK COVER SEAL MC-STD (4 MT)					
19	1602566		GAS PRESSURE SPRINGS (2 PCS) 198.255.36					
20	1603355		3 WAYS SEALBAG SOLENOID VALVE 1/8"FF D=2,5 FKM 24V-DC					
21	1604201		DEVACUMATE SOLENOID VALVE 2VIE 1"FF D20 NBR 24V-DC					
22	1603357		GASFLUSH SOLENOID VALVE 2 WAY 1/2"FF D=10 24V-DC				GAS	
23	1603352		SUCTION SOLENOID ELECTROV.DE ASPIRATION 2 VIE 1"FF D25 NBR 24V-DC					
24	1602513		SEALING BAR CONNECTION WIRE (2 PCS) ASF-4					
25	1603265		ROUNDED SEALING WIRE 5x0.3 (1 MT)					
26	1604427		HAYANA TEFLON BAND L=65MM (1 MT) IDEA-IDEA OEM/ MC/NEW/V.2010/400G-DG/VM98/F420/C-SERIES/FC30-36-41 CHEF VAC					
27	1604392		ARMORVIN HOSE D=30 (2 MT)					
28	1603679		HINGES (L+R)					
29	1602599		SILICONE RUBBER 22X8X640 (1 PC/PCS)				2BL	
30	1603449		SWITCH CONTACT MC					
31	1604388		HOSE D=8X6 (2MT)					
32	1603243		MAIN SWITCH 20A 3-PH					
33	1601095		CHAMBER CONTACT KIT MC					
34	1603676		POWER CABLE 3PH+PE 4X1,5 MMQ CEE					
35	1604512		OIL TANK GASKET PUMP LB25/LC25/LC60/LB60/LC106 (1 PCS)					
36	1601611		OIL SIGHT (1105004)					
37	1604489		PUMP OIL REFILL SCREW 1/2" (2 PCS.)					

INDEX REFERENCE NAME	
----------------------	--