

Spare parts List

Reservdelista

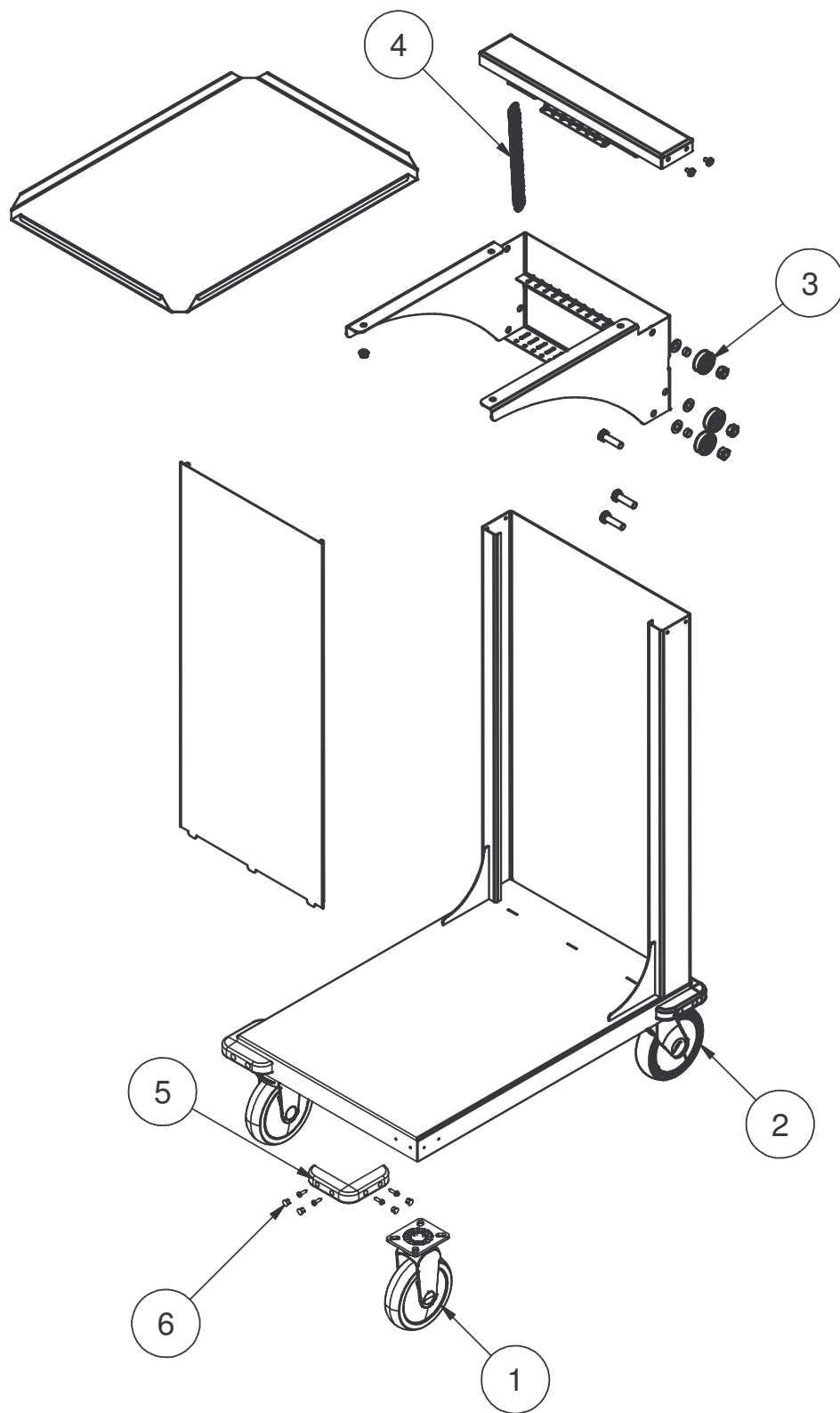


Brickdispenser

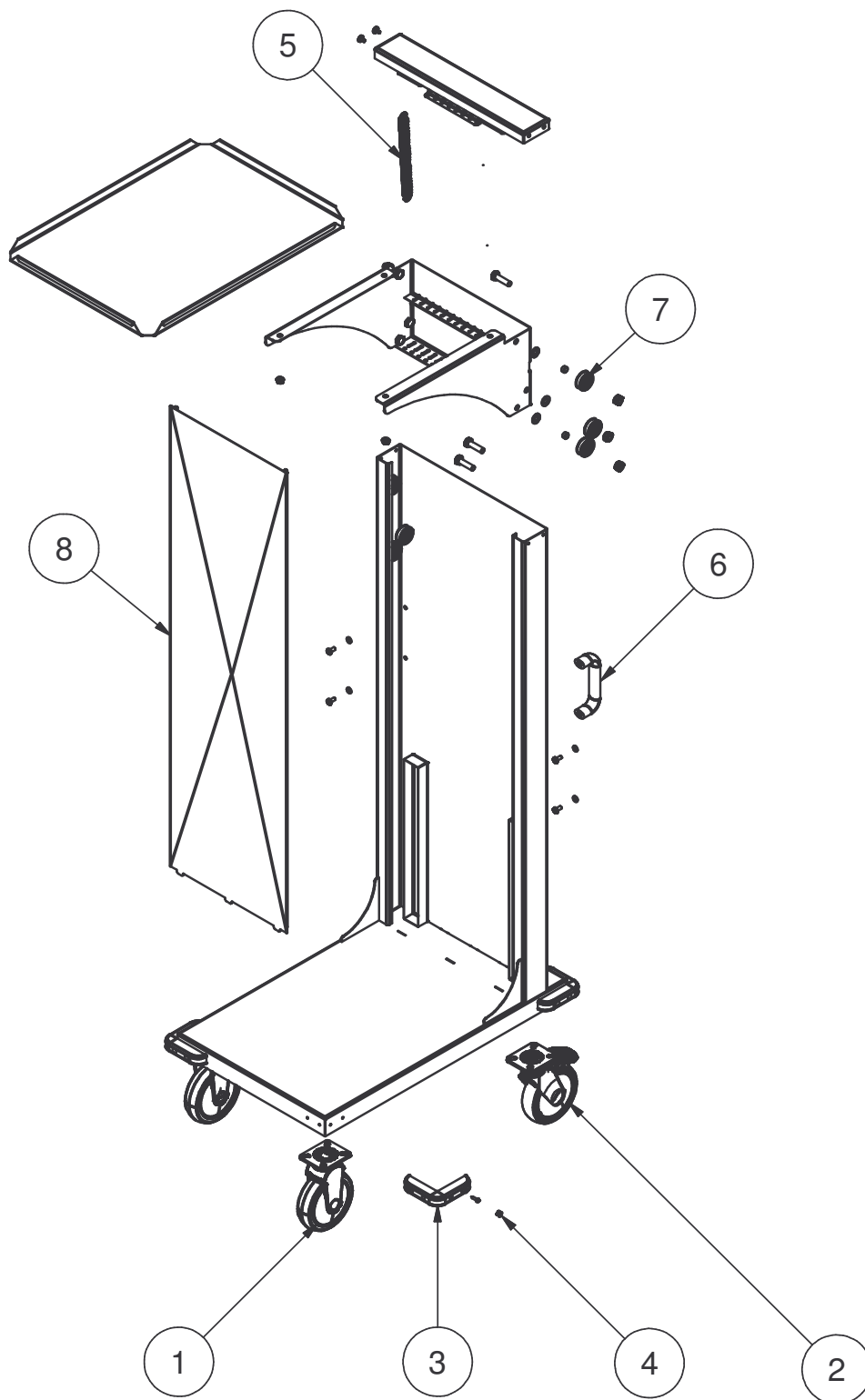
Tray Lowerator

CE

DOC. NO. **ST0 3238-60**
EDITION 1 2006.04



6	520 35 31-00	Plugg
5	520 35 22-00	Corner protection
4	ST0 52 91-00	Spring
3	520 31 77-00	Bearing 6300-2Z
2	ST0 52 92-00	Castor Ø125, Lockable
1	ST0 52 93-00	Castor Ø125, Fixed
Pos.	Part nr.	Description



8	ST0 55 06-00	Front cover 1275
7	520 31 77-00	Bearing 6300-2Z
6	ST0 59 46-00	Handles
5	ST0 52 91-00	Spring
4	520 35 31-00	Plugg
3	520 35 22-00	Corner protection
2	ST0 52 92-00	Castor Ø125, Lockable
1	ST0 52 93-00	Castor Ø125, Fixed
Pos.	Part.nr.	Description