

Spare parts List

Reservdelista

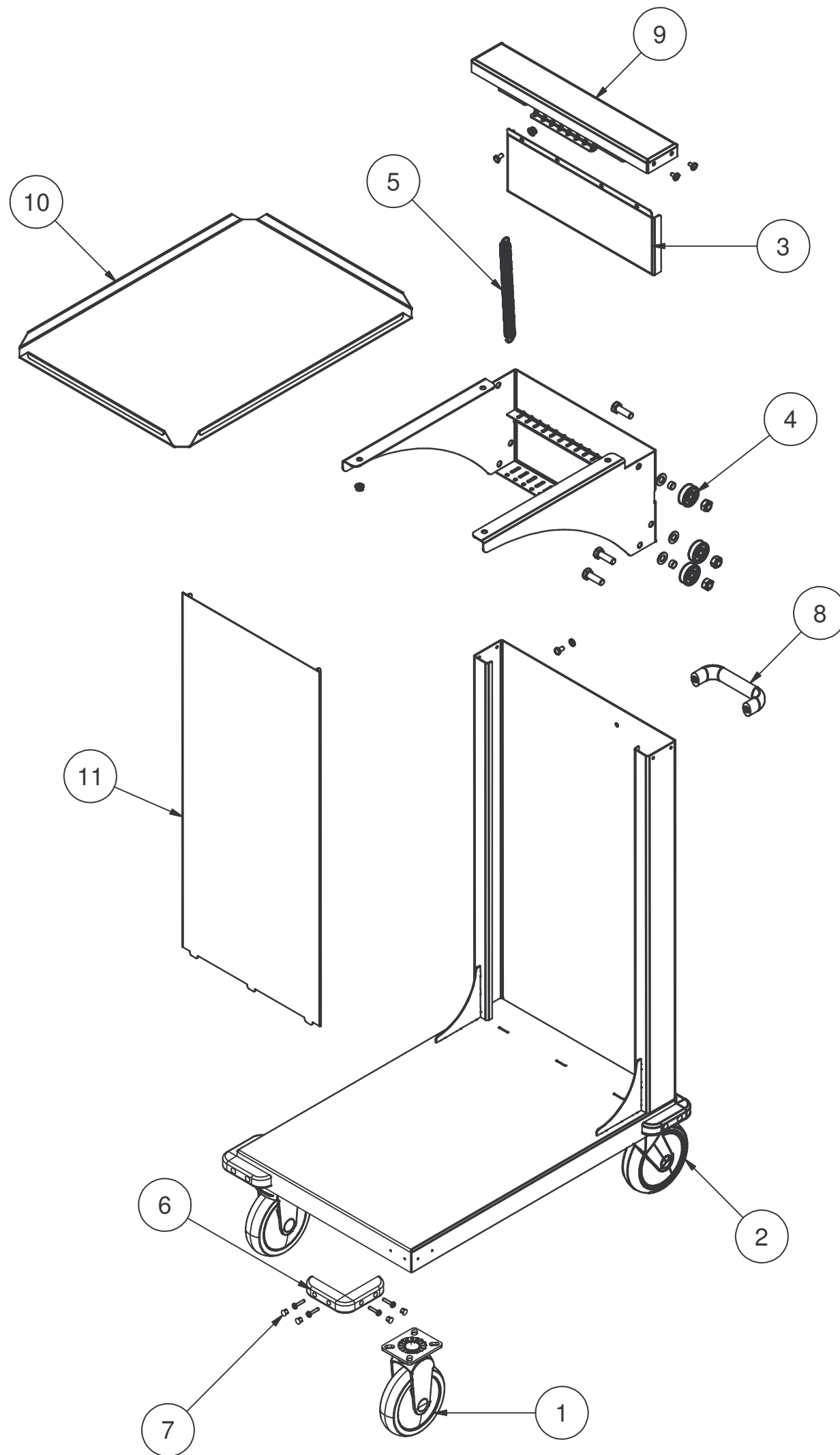


Brickdispenser

Tray Lowerator

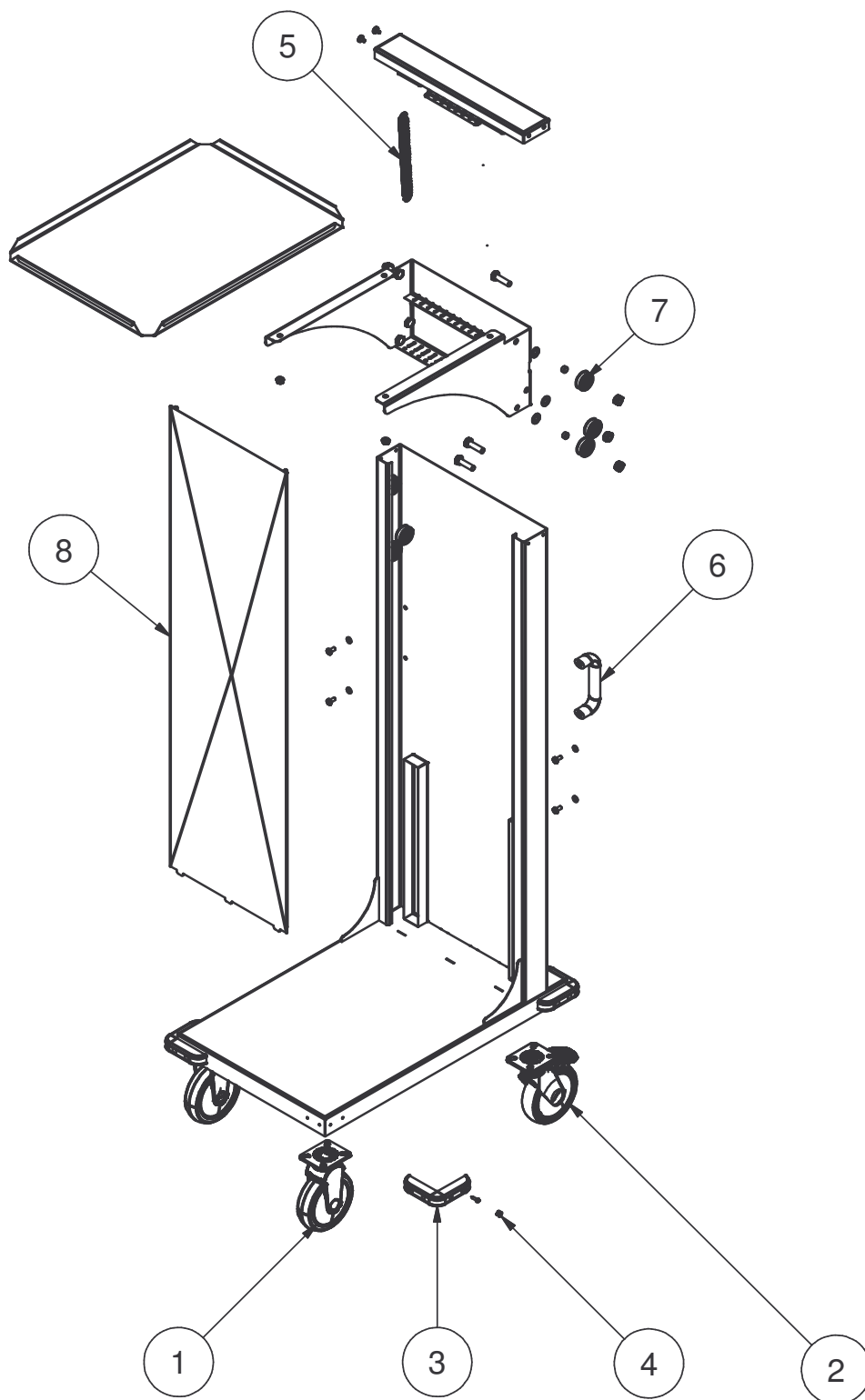
CE

DOC. NO. **ST0 3238-60**
EDITION 2 2007.05



| | | |
|------|--------------|-----------------------|
| 11 | ST0 52 87-00 | Front cover 900 |
| 10 | ST0 52 94-01 | Tray support |
| 9 | ST0 52 89-00 | Cover cpl. |
| 8 | ST0 59 46-00 | Handle c/c 117 M |
| 7 | 520 35 31-00 | Plugg |
| 6 | 520 35 22-00 | Corner protection |
| 5 | ST0 52 91-00 | Spring |
| 4 | 520 31 77-00 | Bearing 6300-2Z |
| 3 | ST0 55 07-00 | Spacer plate |
| 2 | ST0 52 92-00 | Castor Ø125, Lockable |
| 1 | ST0 52 93-00 | Castor Ø125, Fixed |
| Pos. | Part nr. | Description |

EDITION: 2
DATE: 2007.05.30



| | | |
|------|--------------|-----------------------|
| 8 | ST0 55 06-00 | Front cover 1275 |
| 7 | 520 31 77-00 | Bearing 6300-2Z |
| 6 | ST0 59 46-00 | Handles |
| 5 | ST0 52 91-00 | Spring |
| 4 | 520 35 31-00 | Plugg |
| 3 | 520 35 22-00 | Corner protection |
| 2 | ST0 52 92-00 | Castor Ø125, Lockable |
| 1 | ST0 52 93-00 | Castor Ø125, Fixed |
| Pos. | Part.nr. | Description |

EDITION: 2

DATE: 2007.05.30