

Reservdelskatalog

Spare Parts Catalogue

Ersatzteilliste



Smart Smart Variomix, Smart Promix®

Kokgryta, 600mm tipphöjd
Boiling pan, 600 mm tilting height
Kochkessel, 600mm Neigungshöhe

DOC. NO. ST0 9185-60
EDITION 2 2015.05

| SE | INNEHÅLLSFÖRTECKNING | Sida |
|----------------------------------|-----------------------------|-------------|
| • Högerpelare, Elektronik | | 4-7 |
| • Frekvensomformare | | 8-9 |
| • Kärll+ Tippning+ Vänsterpelare | | 10-13 |
| • Lock komplett | | 14-17 |
| • Omrörare | | 18-25 |
| • Uppvärmning, | eluppvärmd | 26-29 |
| | ånguppvärmd | 30-33 |
| • Ellåda, | eluppvärmd 50-100L | 34-37 |
| | ånguppvärmd 50-100L | 38-41 |
| | eluppvärmd 150-300L | 42-45 |
| | ånguppvärmd 150-300L | 46-49 |
| • Vattenanslutning | | 50-53 |
| • Mantelkylning | | 54-55 |
| • Isvattenkylning | | 56-61 |
| • Fästelement | | 62-64 |

| EN | TABLE OF CONTENTS | Page |
|--------------------------------|----------------------------|-------------|
| • Right column, Electronic | | 4-7 |
| • Frequency converter | | 8-9 |
| • Vessel+ Tilting+ Left column | | 10-13 |
| • Lid complete | | 14-17 |
| • Agitator | | 18-25 |
| • Heating, | electrical heated | 26-29 |
| | steam heated | 30-33 |
| • Electric box, | electrical heated 50-100L | 34-37 |
| | steam heated 50-100L | 38-41 |
| | electrical heated 150-300L | 42-45 |
| | steam heated 150-300L | 46-49 |
| • Water connection | | 50-53 |
| • Sleeve | | 54-55 |
| • Ice water cooling | | 56-61 |
| • Attachment element | | 62-64 |



INHALTSVERZEICHNIS

Seite

| | | | |
|---|-----------------------------|--------------------|-------|
| • | Säule, rechts, Elektronik | | 4-7 |
| • | Frequenzumformer | | 8-9 |
| • | Kessel+ Kippen+ Säule links | | 10-13 |
| • | Deckel komplett | | 14-17 |
| • | Rührwerk | | 18-25 |
| • | Behizung, | El.behiz | 26-29 |
| | | Dampfbehiz | 30-33 |
| • | Elektrischebüsche, | El.behiz 50-100L | 34-37 |
| | | Dampfbehiz 50-100L | 38-41 |
| | | El.behiz 50-300L | 42-45 |
| | | Dampfbehiz 50-300L | 46-49 |
| • | Wasseranschluss | | 50-53 |
| • | Mantelkühlungs | | 54-55 |
| • | Eiswasserkühlung | | 56-61 |
| • | Befestigungsteile | | 62-64 |

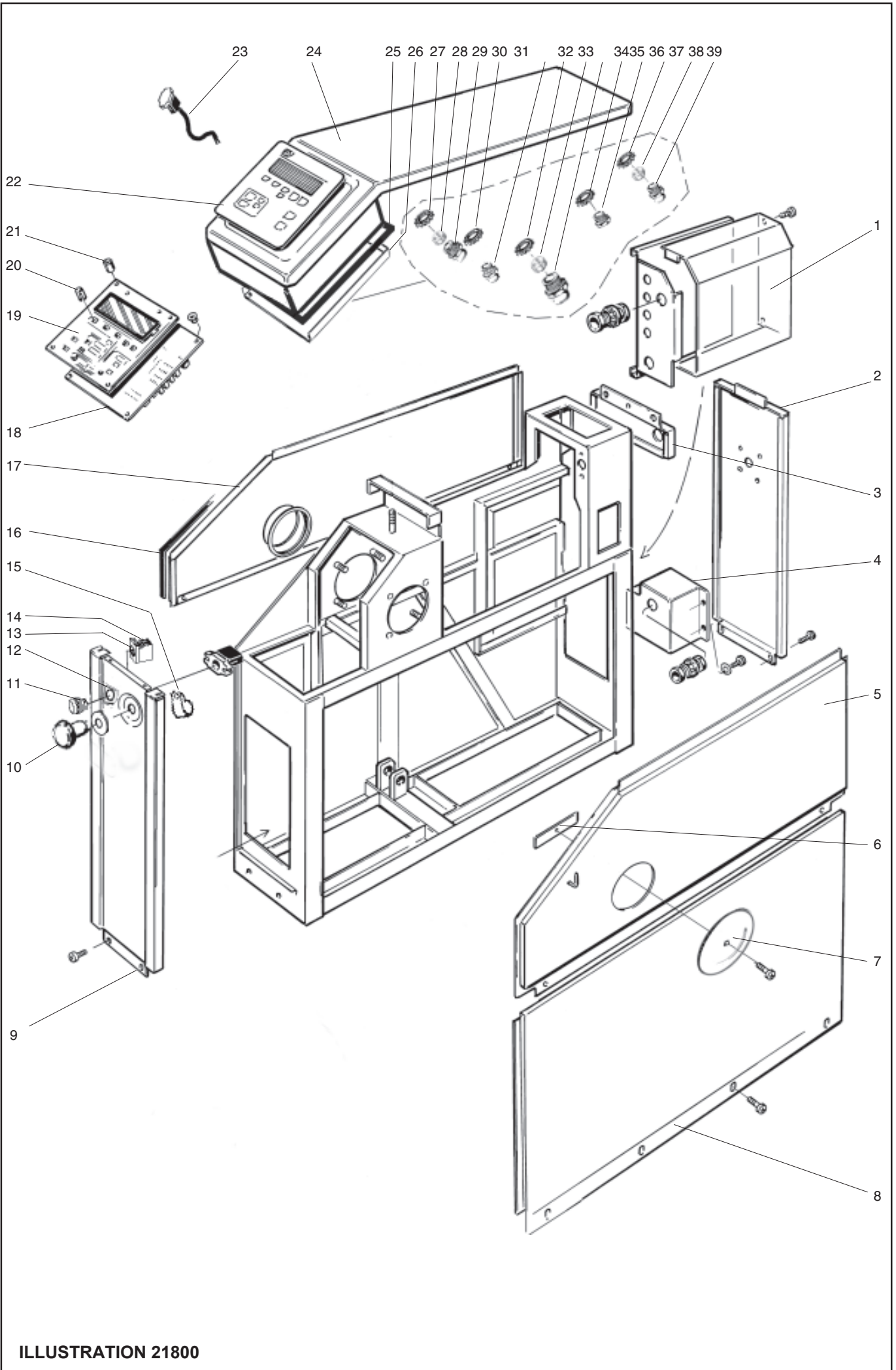


ILLUSTRATION 21800

Höger pelare, Elektronik
Right Column, Electronic
Säule, rechts, Elektronik

Illustration 21800

Utgåva
Edition
Ausgabe
1

Månad
Month
Monat
12

År
Year
Jahr
2014

| Pos. | Antal Quantity Anzahl | Art.nr Art. no Art. Nr | Benämning | Description | Bezeichnung | Anm. Notes Anm. |
|------|-------------------------------------|--|--|---|---|-----------------------|
| | [[[[[| 50 L 100 L 150 L 200 L 300 L | | | | |
| 1 | 1 1 1 1 1 | ST0 92 36-00 | Lock, ellåda | Lid, connection box | Deckel, elektr. Schrank | |
| 2 | 1 1 - - - - - 1 1 1 | ST0 94 97-00 ST0 94 98-00 | Baksida Baksida | Rear side Rear side | Rückseiten Rückseiten | |
| 3 | 1 1 - - - - - 1 1 1 | ST0 95 29-00 ST0 95 32-00 | Baksida Baksida | Rear Rear | Rückseiten Rückseiten | |
| 4 | - - 1 1 1 | 428 06 34-00 | Fäste | Attachment | Befestigung | |
| 5 | 1 1 - - - - - 1 1 1 | ST1 03 43-00 ST1 05 08-00 | Sidoplåt Sidoplåt | Side plate Side plate | Seitenplatten Seitenplatten | |
| 6 | 1 1 1 1 1 | 428 12 04-00 | Stag | Support | Stutze | |
| 7 | 1 1 1 1 1 | 428 12 03-00 | Täckbricka | Cover washer | Abdeckscheibe | |
| 8 | 1 1 - - - - - 1 1 1 | 428 12 39-00 428 12 40-00 | Sidoplåt Sidoplåt | Side plate Side plate | Seitenplatten Seitenplatten | |
| 9 | 1 1 - - - - - 1 1 1 | ST1 06 22-00 ST1 06 23-00 | Front Front | Front Front | Vorderseite Vorderseite | |
| 10 | 1 1 1 1 1 | 428 07 60-01 | Nödstopp | Emergency switch | Notstopp | |
| 11 | 1 1 1 1 1 1 1 1 1 1 | ST1 06 76-00 ST0 87 70-00 | Blind propp Tryckknapp svart | Blind plug Pushbutton Black | Blindstopfen Drucktaster Schwarz | 1). 2).3). |
| 12 | 1 1 1 1 1 | ST0 99 95-00 | Skylt | Label | Label | 2).3). |
| 13 | 1 1 1 1 1 | ST0 87 71-00 | Kontakthållare | Holder, contact block | Kontaktblock halter | 2).3). |
| 14 | 3 3 3 3 3 | ST0 87 72-00 | Kontaktblock | Contact block | Kontaktblock | 2).3). NO |
| 15 | 1 1 1 1 1 | 462 13 06-04 | Kabelklämma | Cable clamp | Kabelklemme | |
| 16 | x x - - - - - x x x | 428 13 78-00 428 13 78-00 | Kronlist Kronlist | Strip Strip | Leiste Leiste | L=4 m L=5 m |
| 17 | 1 1 - - - - - 1 1 1 | ST1 03 09-00 ST1 05 07-00 | Sida,vänster Sida,vänster | Side, left Side, left | Seiten, links Seiten, links | |
| 18 | 1 1 1 1 1 1 1 1 1 1 1 1 1 1 1 | ST0 99 54-00 ST0 99 54-01 ST0 99 54-02 | Effektkort Effektkort Effektkort | Effect card Effect card Effect card | Effektkarte Effektkarte Effektkarte | 5). 6). |
| 19 | 1 1 1 1 1 1 1 1 1 1 | ST0 37 91-00 ST0 37 91-01 | Panelkort Panelkort | Panel card Panel card | Panelkarte Panelkarte | 5). |
| 20 | 13 13 13 13 13 | 482 69 87-00 | Knapp | Button | Knopf | |
| 21 | 10 10 10 10 10 | 428 11 85-00 | Distans | Spacer | Distanze | |

- 1). Smart
- 2). Smart Variomix
- 3). Smart Promix®
- 4). Tillval mattemp.givare eller flödesmätare
Optional food temperature sensor or flow meter
Optionale Temperatursensor oder Durchflussmesserm
- 5). Med kyrilliska alfabet With Cyrillic Alphabet Mit Kyrillische Alphabet
- 6). Språk, Nederländska (NL) Language, Duch (NL) Sprache, Niederländisch (NL)

Fet stil = Ändring
Bold print = Change
Fettdruck = Änderung

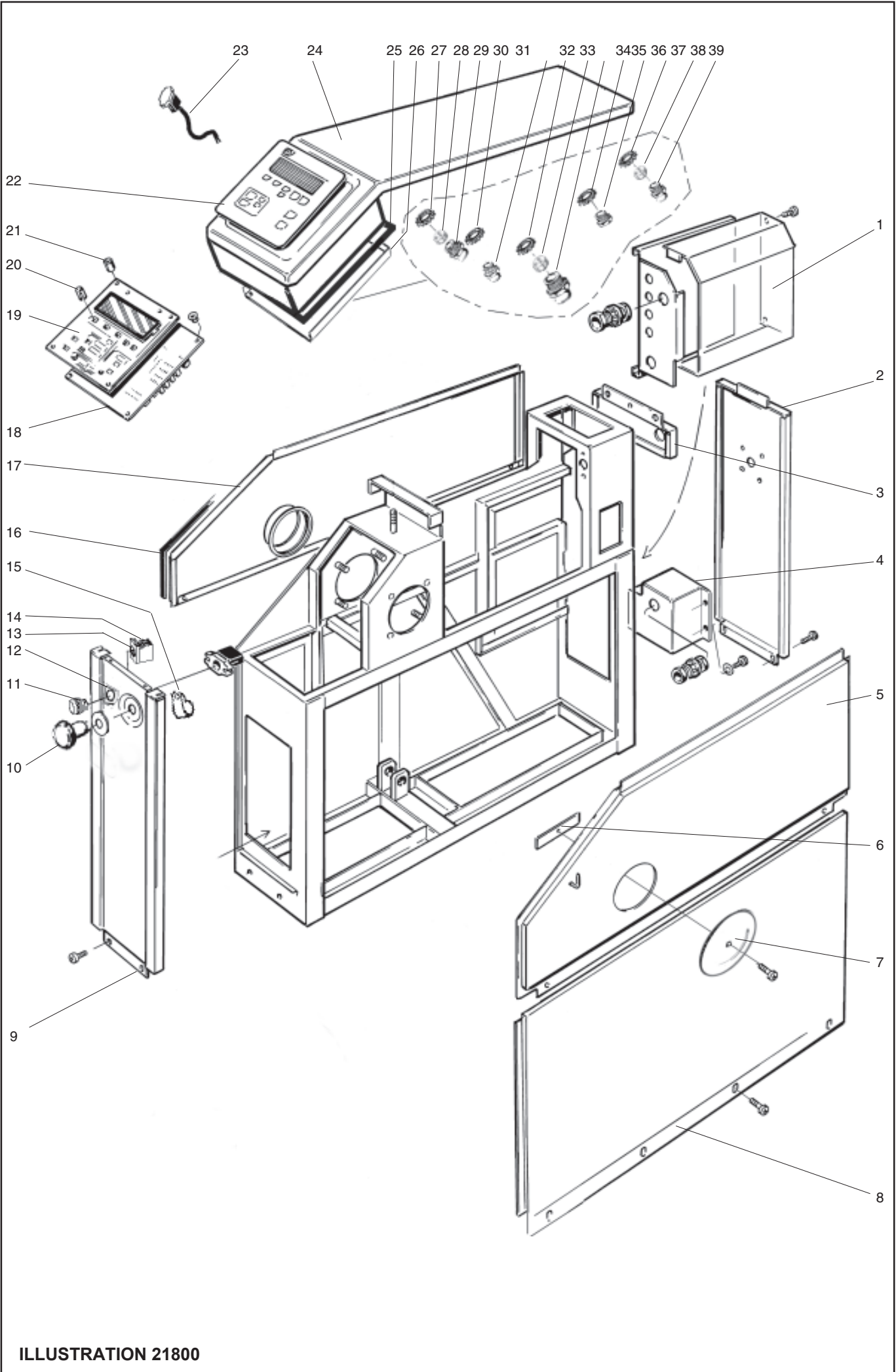


ILLUSTRATION 21800

Höger pelare, Elektronik
Right Column, Electronic
Säule, rechts, Elektronik

Illustration 21800

Utgåva
Edition
Ausgabe
1

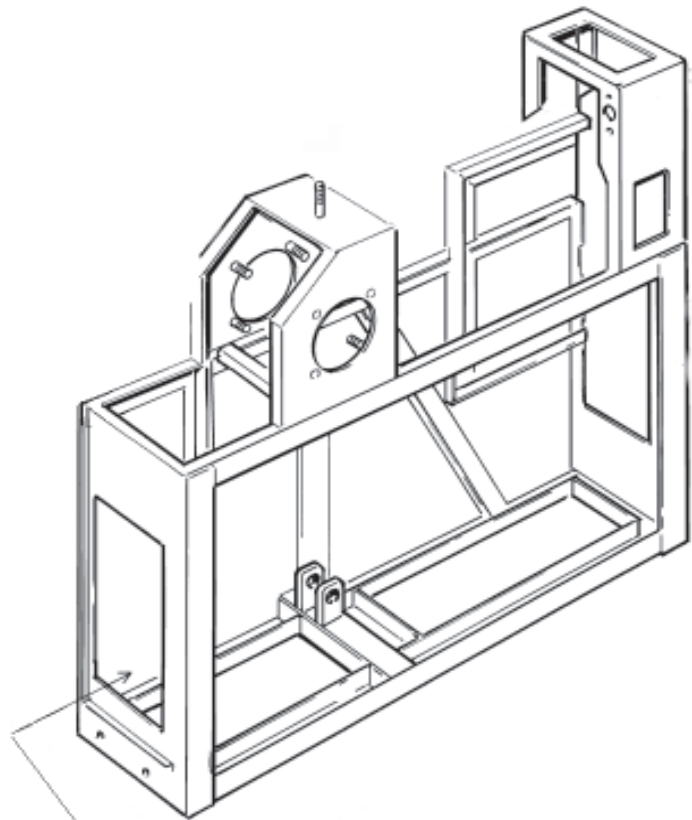
Månad
Month
Monat
12

År
Year
Jahr
2014

| Pos. | Antal Quantity Anzahl | Art.nr Art. no Art. Nr | Benämning | Description | Bezeichnung | Anm. Notes Anm. |
|------|-------------------------------------|--|----------------------------|----------------------------|---|----------------------------------|
| | [[[[| 50 L 100 L 150 L 200 L 300 L | | | | |
| 22 | 1 1 1 1 1 1 1 1 1 1 1 1 1 1 1 | 428 19 60-00 428 19 61-00 ST0 56 98-00 | Panel Panel Panel | Panel Panel Panel | Verkleidung Verkleidung Verkleidung | 2). 3). 1). |
| 23 | 1 1 1 1 1 | ST0 28 80-00 | Kommun.kabel | Communication cable | Kommun. Kabel | 2).3). 4). |
| 24 | 1 1 - - - - - 1 1 1 | 428 19 55-00 428 19 56-00 | Tak Tak | Top Top | Dach Dach | |
| 25 | x x x x x | 87 33 03-240 | Självhäftande tejp | Self-adhesive tape | Klebstreifen | L=850 |
| 26 | 1 1 1 1 1 1 1 1 1 1 | ST0 30 31-02 ST0 30 31-01 | Täckplåt Täckplåt | Cover plate Cover plate | Deckplatte Deckplatte | 1). 2). 3). |
| 27 | 2 2 2 2 2 | ST0 28 64-04 | Mutter | Nut | Mutter | M25x1.5 |
| 28 | 1 1 1 1 1 1 1 1 1 1 | ST0 93 54-10 ST0 93 54-13 | Tätning Tätning | Sealing Sealing | Dichtung Dichtung | M25, 2X Ø6,0 4). M25, 3X Ø7,0 |
| 29 | 1 1 1 1 1 | ST0 31 45-11 | Kabelförskr. | Conduit entry | Kabeldurchfür. | M 25x1,5 |
| 30 | 1 1 1 1 1 | ST0 28 64-02 | Mutter | Nut | Mutter | M16x1,5 |
| 31 | 1 1 1 1 1 1 1 1 1 1 | ST0 31 45-09 ST0 32 90-02 | Kabelförskr. Avsl.propp | Conduit entry End plugg | Kabeldurchfür. Slussstück | 2). M16x1,5 1). M16x1,5 |
| 32 | 1 1 1 1 1 | ST0 28 64-04 | Mutter | Nut | Mutter | M25x1.5 |
| 33 | 1 1 1 1 1 | ST0 93 54-10 | Tätning | Sealing 2X Ø6 | Dichtung 2X Ø6 | 2X Ø6.0 |
| 34 | 1 1 1 1 1 | ST0 31 45-11 | Kabelförskr. | Conduit entry | Kabeldurchfür. | M 25x1,5 |
| 35 | 1 1 1 1 1 | ST0 26 64-03 | Mutter | Nut | Mutter | M20x1.5 |
| 36 | 1 1 1 1 1 | ST0 31 45-10 | Kabelförskr. | Conduit entry | Kabeldurchfür. | M20x1.5 |
| 37 | 2 2 2 2 2 | ST0 28 64-04 | Mutter | Nut | Mutter | M25x1.5 |
| 38 | 1 1 1 1 1 1 1 1 1 1 | ST0 93 54-10 ST0 93 54-13 | Tätning Tätning | Sealing Sealing | Dichtung Dichtung | M25, 2X Ø6,0 4). M25, 3X Ø7,0 |
| 39 | 1 1 1 1 1 | ST0 31 45-11 | Kabelförskr. | Conduit entry | Kabeldurchfür. | M 25x1,5 |

- 1). Smart
- 2). Smart Variomix
- 3). Smart Promix®
- 4). Tillval mattemp.givare eller flödesmätare
Optional food temperature sensor or flow meter
Optionale Temperatursensor oder Durchflussmesserm
- 5). Med kyrilliska alfabet With Cyrillic Alphabet Mit Kyrillische Alphabet
- 6). Språk, Nederländska (NL) Language, Duch (NL) Sprache, Niederländisch (NL)

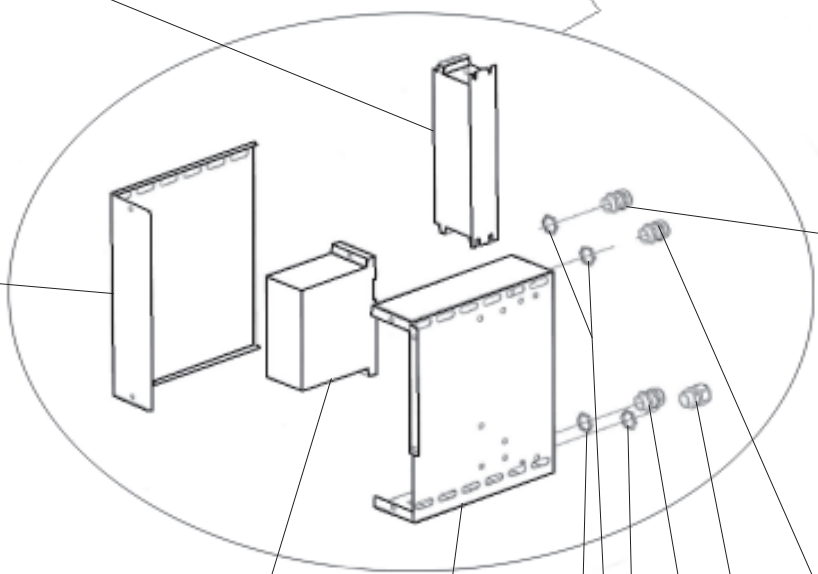
Fet stil = Ändring
Bold print = Change
Fettdruck = Änderung



8

7

1



6

5

4

3

3

2

1

1

ILLUSTRATION 21786

Frekvensomformare
Frequency converter
Frequenzumformer

Illustration 21786

Utgåva Månad År
Edition Month Year
Ausgabe Monat Jahr
1 06 2013

| Pos. | Antal Quantity Anzahl | Art.nr Art. no Art. Nr | Benämning | Description | Bezeichnung | Anm. Notes Anm. |
|------|---|--|---|---|--|---------------------------------|
| | [[[[[| 50 L 100 L 150 L 200 L 300 L | ABB | | | |
| 1 | 3 3 3 3 3 | ST0 36 56-02 | Genomföring | Inlet | Durchführung | M20x1.5 EMC |
| 2 | 1 1 1 1 1 | ST0 36 56-03 | Genomföring | Inlet | Durchführung | M25x1.5 EMC |
| 3 | 3 3 3 3 3 | ST0 28 64-03 | Mutter | Nut | Mutter | M20x1.5 |
| 4 | 1 1 1 1 1 | ST0 28 64-03 | Mutter | Nut | Mutter | M20x1.5 |
| 5 | 1 1 1 1 1 | ST0 67 52-00 | Avskärmning | Shield | Abschirmung | 1). 2). |
| 6 | 1 - - - - - 1 1 - - - - - 1 1 - 1 1 - - - - - 1 1 | ST0 99 93-10 ST0 71 27-14 ST0 71 27-16 ST0 71 27-15 ST0 71 27-17 | Frekvensomformare Frekvensomformare Frekvensomformare Frekvensomformare Frekvensomformare | Frequency converter Frequency converter Frequency converter Frequency converter Frequency converter | Frequenzumformer Frequenzumformer Frequenzumformer Frequenzumformer Frequenzumformer | 1). 1). 1). 2). 2). |
| 7 | 1 1 - - - - - 1 1 1 | ST0 68 57-00 ST0 68 57-01 | Lock Lock | Lid Lid | Deckel Deckel | |
| 8 | 1 1 1 1 1 | ST0 71 28-00 | Filter | Filter | Filter | 1). 2). |

Fet stil = Ändring
Bold print = Change
Fettdruck = Änderung

1). Smart Variomix
2). Smart Promix®

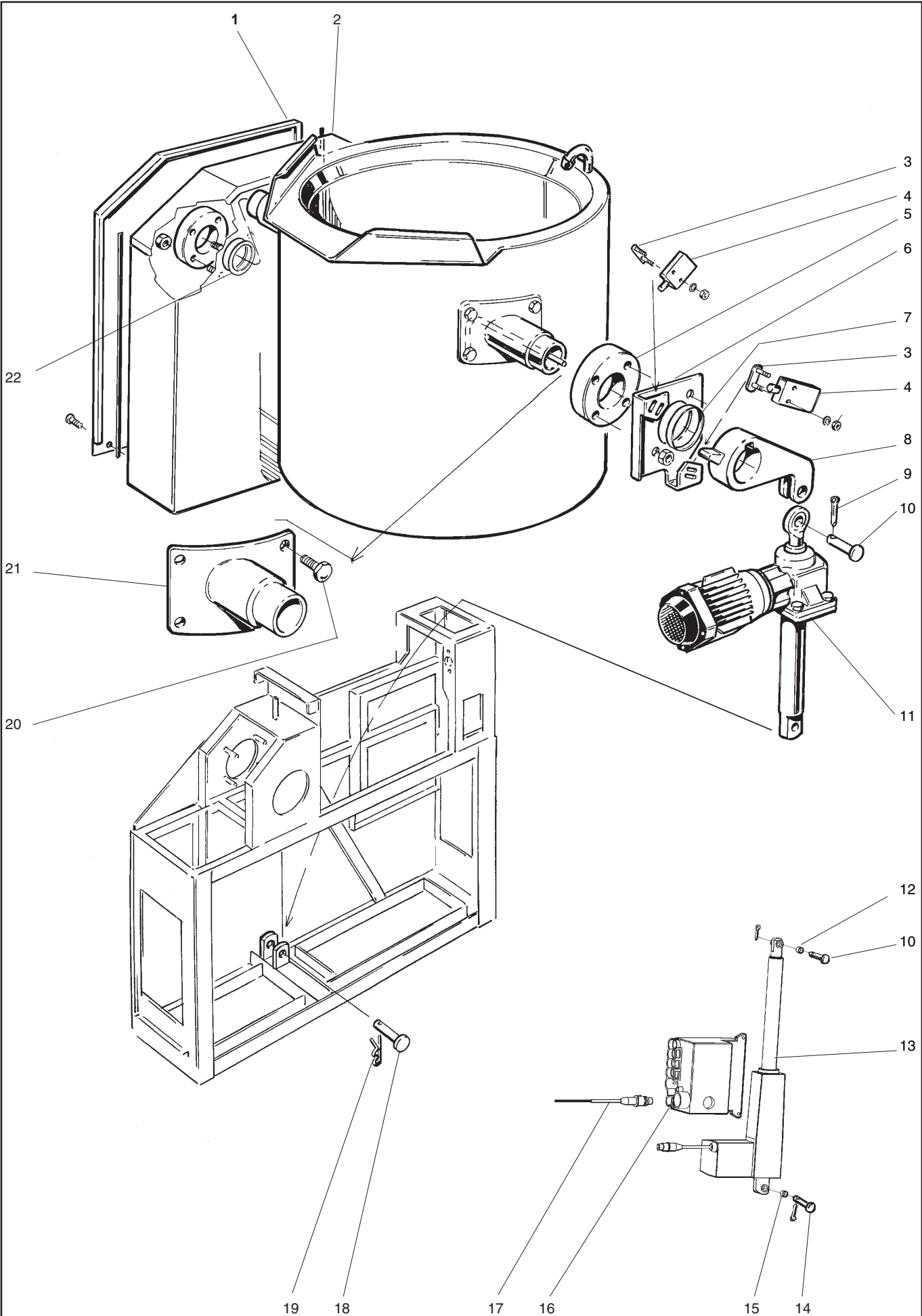


ILLUSTRATION 21801

Kärl+Tippning+Vänsterpelare
Vessel+Tilting+Left column
Kessel+Kippen+Säule links

Illustration 21801

Utgåva
Edition
Ausgabe
1

Månad
Month
Monat
12

År
Year
Jahr
2014

| Pos. | Antal Quantity Anzahl | Art.nr Art. no Art. Nr | Benämning | Description | Bezeichnung | Anm. Notes Anm. |
|------|-----------------------------|--|--------------------------------------|--------------------|----------------------|-----------------------|
| | [[[[[| 50 L 100 L 150 L 200 L 300 L | | | | |
| 1 | 1 1 1 1 1 | ST1 03 19-00 | Sida, vänster pelare | Side, left column | Seite, links Säule | |
| 2 | 1 1 1 1 1 | ST1 03 13-00 | Stativ, vänster pelare | Stand, left column | Gestell, links Säule | |
| 3 | 2 2 2 2 2 | 428 08 00-00 | Mutterplatta | Nute plate | Mutterplatte | |
| 4 | 2 2 2 2 2 | 428 10 96-00 | Gränslägesbrytare | End limit switch | Endschalter | |
| 5 | 2 2 2 2 2 | ST0 34 62-00 | Flänslager | Flange bearing | Flanschlager | |
| 6 | 1 1 - - - - - 1 1 1 | 428 06 57-00 428 06 79-00 | Gränslägeskonsol Gränslägeskonsol | Bracket Bracket | Konsole Konsole | |
| 7 | 1 1 1 1 1 | 428 11 80-00 | Distansring | Spacer ring | Distanzring | |
| 8 | 1 1 - - - - - 1 1 1 | ST0 93 17-00 428 13 57-00 | Hävarm Hävarm | Lever Lever | Hebel Hebel | |
| 9 | 2 2 - - - - - 1 1 1 | 721 61 87-40 721 62 16-40 | Saxpinne Saxpinne | Dowel Dowel | Splint Splint | |
| 10 | 1 1 - - - - - 1 1 1 | 721 84 60-01 721 86 74-01 | Bult Bult | Bolt Bolt | Bolzen Bolzen | |
| 11 | - - 1 1 1 | ST1 07 34-00 | Domkraft | Lift jack | Schraubwinde | |
| 12 | 1 1 - - - | ST0 93 19-00 | Lager | Bearing | Lager | |
| 13 | 1 1 - - - | ST1 05 17-00 | Ställdon | Lift jack | Schraubwinde | |
| 14 | 1 1 - - - | 721 84 64-01 | Bult | Bolt | Bolzen | |
| 15 | 1 - - - - | ST0 61 57-00 | Lager | Bearing | Lager | |
| 16 | 1 1 - - - | ST0 61 54-00 | Ellåda | Connection box | Elektr. Schrank | |
| 17 | 1 1 - - - | ST0 61 55-00 | Kabel | Cable | kabel | |
| 18 | - - 1 1 1 | 721 86 80-01 | Bult | Bolt | Bolzen | |
| 19 | - - 1 1 1 | 721 68 03-53 | Hårnnålssprint | Cotter pin | Splint | |
| 20 | 8 8 8 8 8 | ST1 05 16-00 | Skruv | Screw | Schraube | |

Fet stil = Ändring
Bold print = Change
Fettdruck = Änderung

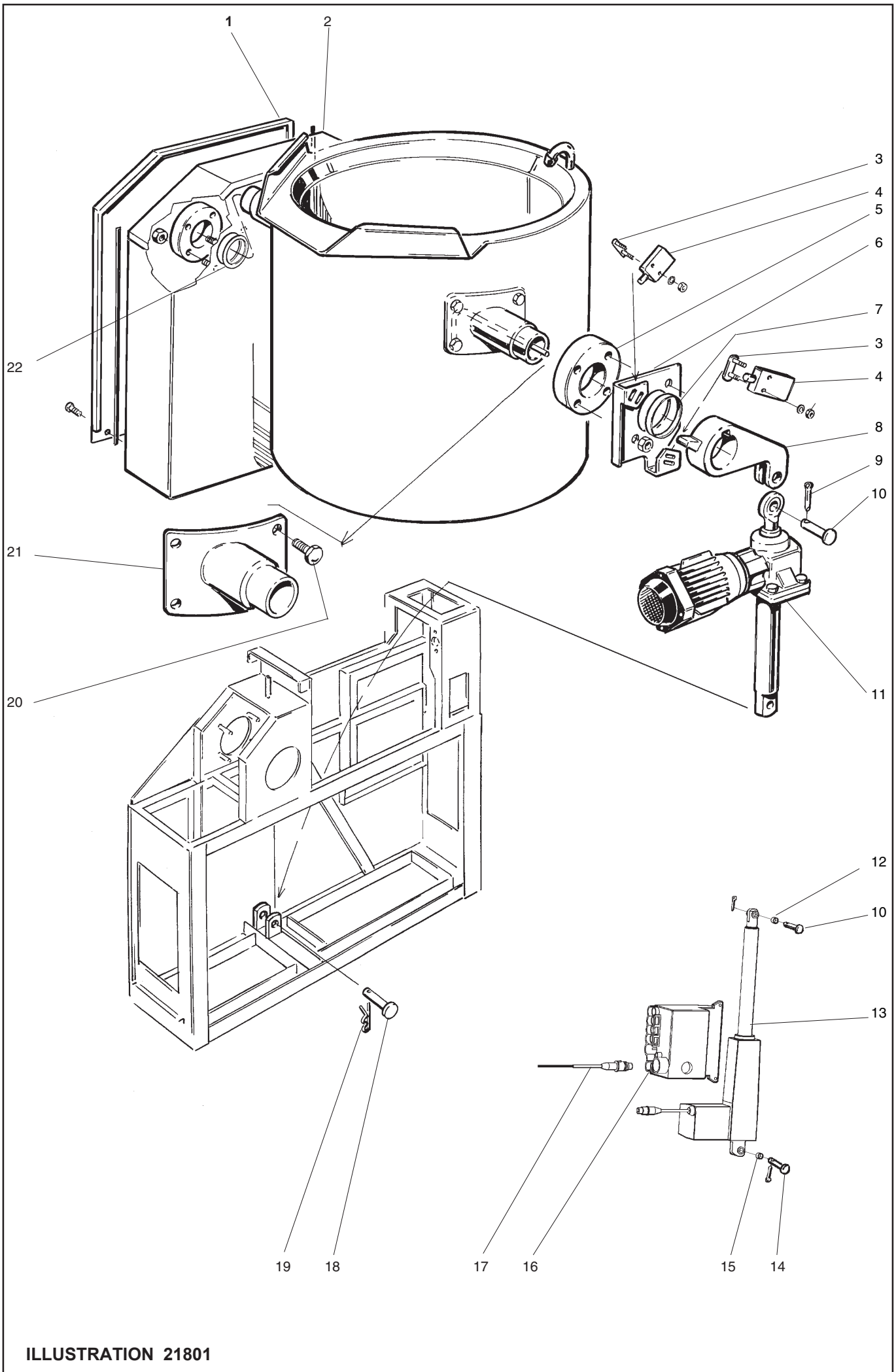


ILLUSTRATION 21801

Kärl+Tippning+Vänsterpelare
Vessel+Tilting+Left column
Kessel+Kippen+Säule links

Illustration 21801

Utgåva Månad År
Edition Month Year
Ausgabe Monat Jahr
1 12 2014

| Pos. | Antal Quantity Anzahl | Art.nr Art. no Art. Nr | Benämning | Description | Bezeichnung | Anm. Notes Anm. |
|------|-----------------------------|------------------------------|---------------|--------------|--------------|-----------------------|
| | [| 50 L | | | | |
| | [| 100 L | | | | |
| | [| 150 L | | | | |
| | [| 200 L | | | | |
| | [| 300 L | | | | |
| 21 | 1 - - - - | ST1 03 41-00 | Axel, höger | Shaft, right | Asche, recht | |
| | - 1 - - - | ST1 03 41-01 | Axel, höger | Shaft, right | Asche, recht | |
| | - - 1 - - | ST1 03 41-02 | Axel, höger | Shaft, right | Asche, recht | |
| | - - - 1 - | ST1 03 41-03 | Axel, höger | Shaft, right | Asche, recht | |
| | - - - - 1 | ST1 03 41-04 | Axel, höger | Shaft, right | Asche, recht | |
| | 1 - - - - | ST1 03 42-00 | Axel, vänster | Shaft, left | Asche, links | |
| | - 1 - - - | ST1 03 42-01 | Axel, vänster | Shaft, left | Asche, links | |
| | - - 1 - - | ST1 03 42-02 | Axel, vänster | Shaft, left | Asche, links | |
| | - - - 1 - | ST1 03 42-03 | Axel, vänster | Shaft, left | Asche, links | |
| | - - - - 1 | ST1 03 42-04 | Axel, vänster | Shaft, left | Asche, links | |
| 22 | 2 2 2 2 2 | 428 18 09-00 | Tätning | Seal | Dichtung | |

Fet stil = Ändring
Bold print = Change
Fettdruck = Änderung

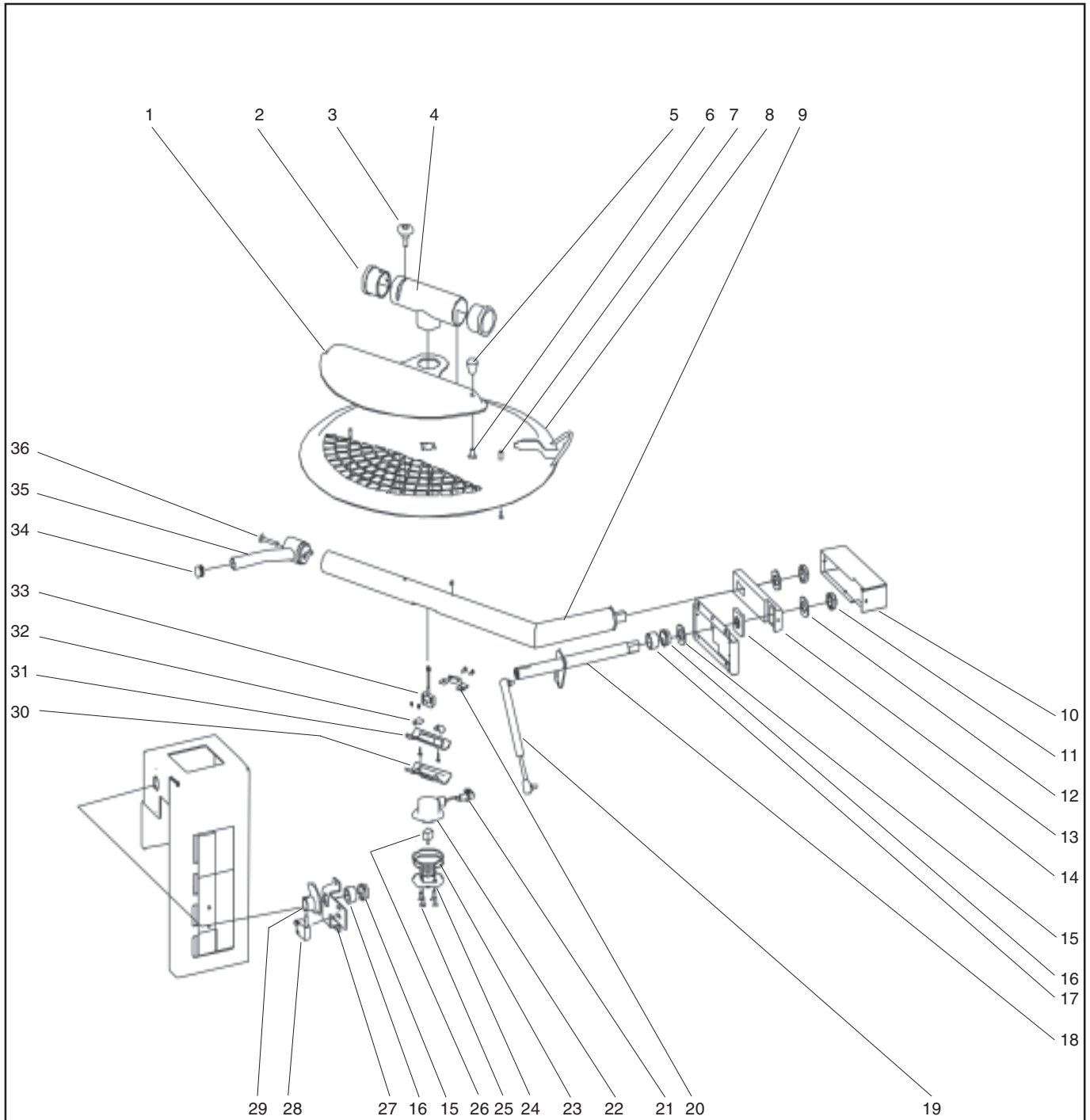


ILLUSTRATION 21787

| Lock kpl Lid compl. Deckel kompl. | | | Illustration 21787 | | | Utgåva Edition Ausgabe 2 | Månad Month Monat 01 | År Year Jahr 2015 |
|---|---|--|---|---|---|-----------------------------------|-------------------------------|----------------------------|
| Pos. | Antal Quantity Anzahl | Art.nr Art. no Art. Nr | Benämning | Description | Bezeichnung | Anm. Notes Anm. | | |
| | [[[[[| 50 L 100 L 150 L 200 L 300 L | | | | | | |
| 1 | 1 - - - - - 1 - - - - - - 1 - - - - - - 1 - - - - - - 1 | STO 95 75-00 STO 95 76-00 STO 95 77-00 STO 95 78-00 STO 95 79-00 | Täcklock Täcklock Täcklock Täcklock Täcklock | Cover Cover Cover Cover Cover | Deckel Deckel Deckel Deckel Deckel | | | |
| 2 | 2 2 2 2 2 | STO 95 52-00 | Bussning | Bushing | Buchse | | | |
| 3 | 1 1 1 1 1 | STO 95 37-00 | Stjärnvred | Hand knob | Hand knob | | | |
| 4 | 1 1 1 1 1 | STO 95 45-00 | T-gångjärn | Hinge | Scharniere | | | |
| 5 | 1 1 1 1 1 | STO 95 36-00 | Handtagsknopp | Handle knob | Kurbelknopf | | | |
| 6 | 1 1 1 1 1 | 552 30 01-43 | Skruv | Screw | Schraube | LSKS M8x16 | | |
| 7 | 1 1 1 1 1 | STO 98 37-01 | Stopp pinne | Stop stud | Stopp Stift | | | |
| 8 | 1 - - - - - 1 - - - - - - 1 - - - - - - 1 - - - - - - 1 | STO 93 95-00 STO 93 96-00 STO 93 97-00 STO 93 98-00 STO 93 99-00 | Gallerlock kpl. Gallerlock kpl. Gallerlock kpl. Gallerlock kpl. Gallerlock kpl. | Grid lid compl. Grid lid compl. Grid lid compl. Grid lid compl. Grid lid compl. | Gitterdeckel kompl. Gitterdeckel kompl. Gitterdeckel kompl. Gitterdeckel kompl. Gitterdeckel kompl. | | | |
| 9 | 1 - - - - - 1 - - - - - - 1 - - - - - - 1 - - - - - - 1 | STO 95 66-00 STO 95 67-00 STO 95 68-00 STO 95 69-00 STO 95 70-00 | Lockarm Lockarm Lockarm Lockarm Lockarm | Lid arm Lid arm Lid arm Lid arm Lid arm | Deckelarm Deckelarm Deckelarm Deckelarm Deckelarm | | | |
| 10 | 1 1 - - - - - 1 1 1 | STO 95 34-00 STO 95 35-00 | Skyddskåpa Skyddskåpa | Protection cap Protection cap | Schutzkappe Schutzkappe | 2). 3). 2). 3). | | |
| 11 | 2 2 2 2 2 | 731 43 28-40 | Mutter | Nut | Mutter | ML6M 24x1,5 | | |
| 12 | 2 2 2 2 2 | 734 11 98-09 | Bricka | Washer | Scheibe | 25x44 | | |
| 13 | 1 1 - - - - - 1 1 1 | STO 95 54-00 STO 95 54-01 | Länk Länk | link link | Verbindung Verbindung | | | |
| 14 | 1 1 1 1 1 | STO 95 56-00 | Bricka vertikal | washer vertical | washer vertikale | | | |
| 15 | 1 1 1 1 1 | STO 18 56-00 | Packning | Gasket | Dichtung | D10 T9 | | |
| 16 | 2 2 2 2 2 | 428 10 58-00 | Glidlagerhus | Plain bearing housing | Gleitlagerhause | | | |
| 17 | 2 2 2 2 2 | 428 11 19-00 | Glidlager | Plain bearing | Gleitlager | | | |
| 18 | 1 1 - - - - - 1 1 1 | STO 95 13-00 STO 95 12-00 | Vridaxel Vridaxel | Torsion shaft Torsion shaft | Drehashe Drehashe | | | |
| 19 | 1 - - - - - 1 1 - - - - - - 1 - - - - - - 1 | 428 11 18-01 428 11 18-00 428 11 18-04 428 10 74-00 | Gasfjäder Gasfjäder Gasfjäder Gasfjäder | Gas spring Gas spring Gas spring Gas spring | Gasfeder Gasfeder Gasfeder Gasfeder | 500N 700N 800N 1000N | | |

Fet stil = Ändring
Bold print = Change
Fettdruck = Änderung

1). Smart
2). Smart Variomix
3). Smart Promix®

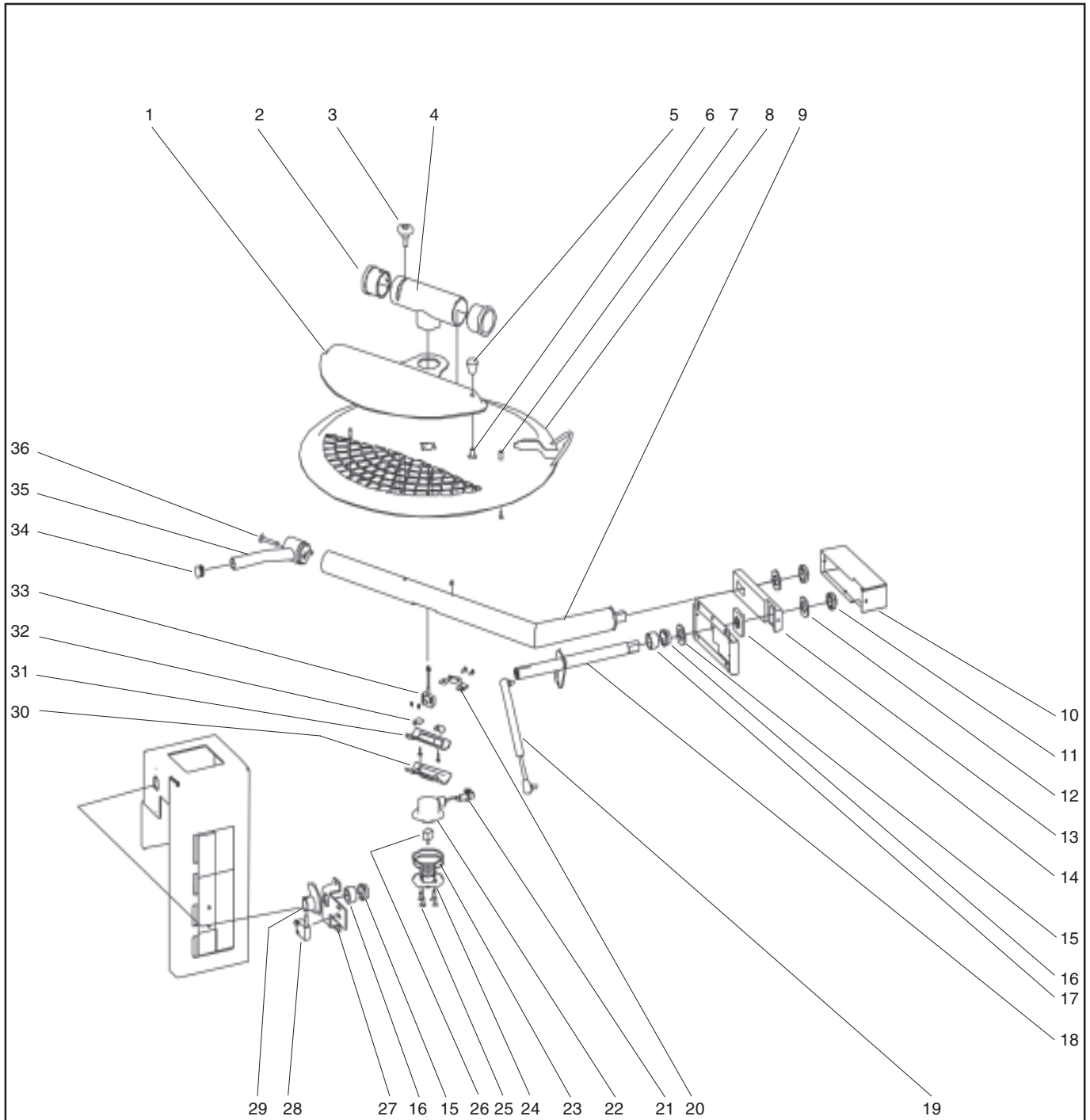


ILLUSTRATION 21787

| Lock kpl Lid compl. Deckel kompl. | | | Illustration 21787 | | | Utgåva Edition Ausgabe 2 | Månad Month Monat 01 | År Year Jahr 2015 |
|---|-----------------------------|--|---------------------------|-------------------------|------------------------|-----------------------------------|-------------------------------|----------------------------|
| Pos. | Antal Quantity Anzahl | Art.nr Art. no Art. Nr | Benämning | Description | Bezeichnung | Anm. Notes Anm. | | |
| | [[[[[| 50 L 100 L 150 L 200 L 300 L | | | | | | |
| 20 | 1 1 1 1 1 | ST0 95 85-00 | Sensor insats | Insertion, sensor | Einsetzen, Sensor | | | |
| 21 | 1 1 1 1 1 | ST0 95 38-00 | Inställningsbult | Adjusting bolt | Stellbolzen | | | |
| 22 | 1 1 1 1 1 | ST0 95 50-00 | Nav övre del | Hub upper part | Nabe oberen Teil | | | |
| 23 | 2 2 2 2 2 | 552 20 27-09 | O-ring | O-ring | O-Ring | 73x0,3 | | |
| 24 | 1 1 1 1 1 | ST0 95 51-00 | Nav gängat lås | Hubs, threaded lock | Nabe, Gewinde-Sperre | | | |
| 25 | 4 4 4 4 4 | 552 30 01-35 | Skruv | Screw | Schraube | LSKS M6x16 | | |
| 26 | 1 1 1 1 1 | 461 13 78-02 | Magnet | Magnet | Magnet | 1). 2). 3). | | |
| 27 | 1 1 1 1 1 | ST0 68 19-00 | Fäste | Attachment | Befestigung | 2). 3). | | |
| 28 | 1 1 1 1 1 | ST0 99 53-00 | Gränslägesbrytare | End limit switch | Endschalter | 2). 3). | L=2m | |
| 29 | 1 1 1 1 1 | ST0 67 68-10 | Nock, Halvmåne | Plate Cam | Führungsnocken | 2). 3). | | |
| 30 | 1 1 1 1 1 | ST0 95 86-00 | Täckkåpa, sensor | Cover cap, Sensor | Abdeckkappe, Sensor | | | |
| 31 | 1 1 1 1 1 | ST0 93 94-00 | Packning lockgivare | Gasket lid sensor | Dichtung Deckel Sensor | | | |
| 32 | 2 2 2 2 2 | ST0 95 87-00 | Låsbleck | Securing plate | Sicherungsblech | | | |
| 33 | 1 1 1 1 1 | ST0 95 39-00 | Magnetbrytare | Magnetic switch | Magnetschalter | 2). 3). | | |
| 34 | 1 1 1 1 1 | 428 16 14-01 | Ändavsluning, rör | End cap, tube | Endkappe, Rohr | | | |
| 35 | 1 - - - - | ST0 95 61-00 | Handtag kpl. | Handle cpl. | Griff Kpl. | | | |
| | - 1 - - - | ST0 95 62-00 | Handtag kpl. | Handle cpl. | Griff Kpl. | | | |
| | - - 1 1 - | ST1 07 51-00 | Handtag kpl. | Handle cpl. | Griff Kpl. | | | |
| | - - - - 1 | ST2 73 76-00 | Handtag kpl. | Handle cpl. | Griff Kpl. | | | |
| 36 | 3 3 3 3 3 | 552 30 01-51 | Skruv | Screw | Schraube | LSKS M8x70 | | |

Fet stil = Ändring
Bold print = Change
Fettdruck = Änderung

1). Smart
2). Smart Variomix
3). Smart Promix®

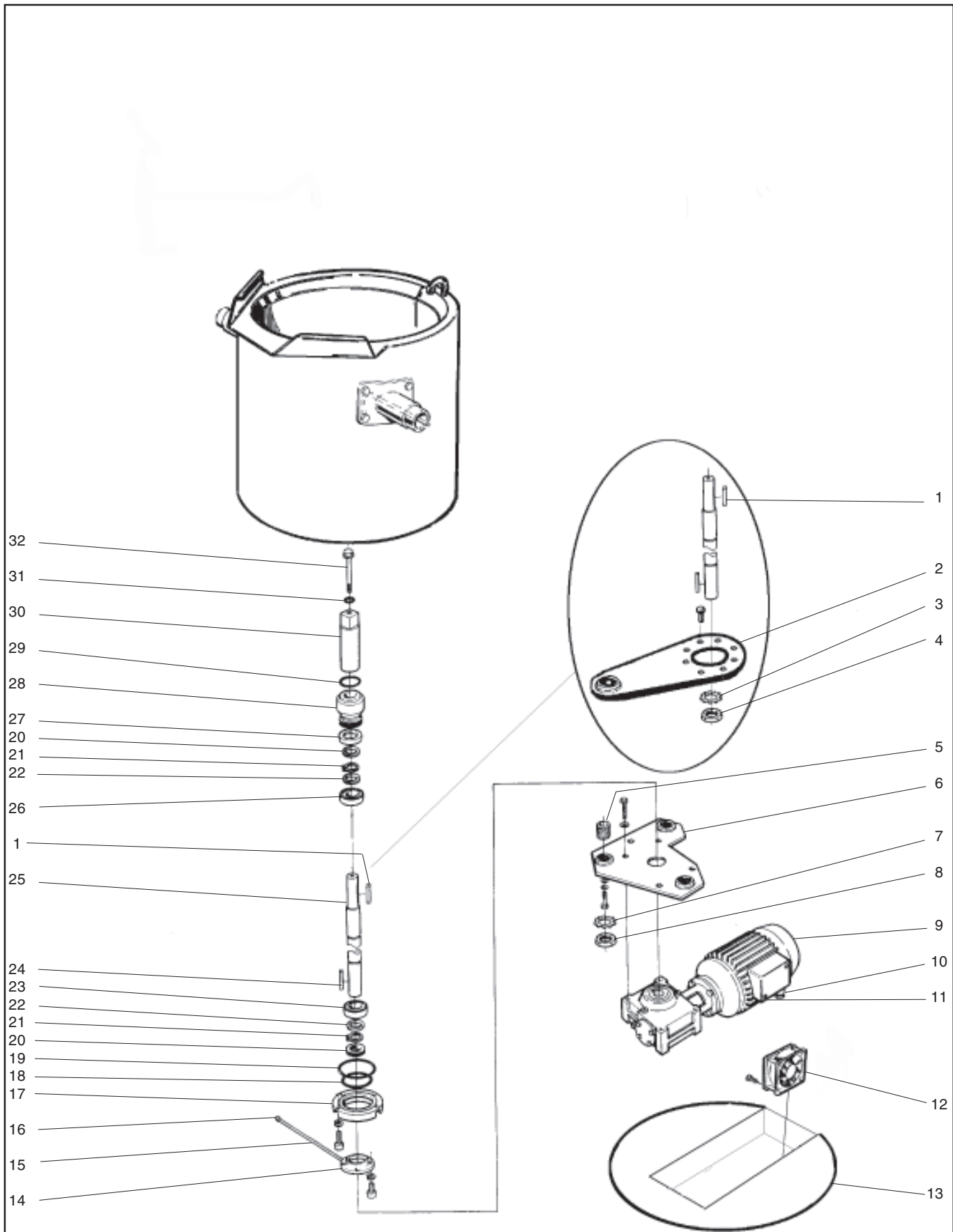


ILLUSTRATION 21788

| Omrörare, motor och axel Agitator, motor and shaft Rührwerk, Motor und Achse | | | Illustration 21788 | | Utgåva Edition Ausgabe 1 | Månad Month Monat 06 | År Year Jahr 2013 |
|--|---|--|--|--|---|---|----------------------------|
| Pos. | Antal Quantity Anzahl | Art.nr Art. no Art. Nr | Benämning | Description | Bezeichnung | Anm. Notes Anm. | |
| | [[[[[| 50 L 100 L 150 L 200 L 300 L | | | | | |
| 1 | 1 1 1 - - - - - 1 1 | 735 92 37-40 735 93 02-40 | Kil Kil | Wedge Wedge | Keil Keil | 1). 2). 1). 2). | |
| 2 | 1 - - - - - 1 1 - - | 428 12 21-00 428 12 22-00 | Momentstag Momentstag | Moment support Moment support | Momentstutze Momentstutze | 1). 1). 2). | |
| 3 | 1 1 1 - - | 735 21 18-90 | Låsbricka | Locking washer | Sicherungsblech | 1). 2). | |
| 4 | - - - 1 1 | 732 51 18-30 | Mutter | Nut | Mutter | 1). 2). | |
| 5 | - - - 3 3 - - - 3 3 | 481 70 13-00 481 70 14-00 | Bussning Muff | Bush Sleeve | Buchse Stutze | 1). 2). 1). 2). | |
| 6 | - - - 1 1 | 428 08 15-00 | Motorfäste | Motor attachment | Motorbefestigung | 1). 2). | |
| 7 | - - - 3 3 | 735 21 23-90 | Låsbricka | Locking washer | Sicherungsblech | 1). 2). | |
| 8 | - - - 3 3 | 732 51 23-30 | Rundmutter | Round nut | Rundmutter | 1). 2). | |
| 9 | 1 - - - - - 1 1 - - - 1 1 - - - - - 1 1 - - - 1 1 | 428 06 73-00 428 18 31-00 428 06 75-00 428 18 32-00 ST0 94 89-00 | Snäckväxel Snäckväxel Snäckväxel Snäckväxel Snäckväxel | Worm gear Worm gear Worm gear Worm gear Worm gear | Schneckengetriebe Schneckengetriebe Schneckengetriebe Schneckengetriebe Schneckengetriebe | 1). 1). 2). 1). 2). | |
| 10 | - - - 1 - - - - - 1 | 428 13 01-05 428 13 01-05 | Genomföring Genomföring | Inlet Inlet | Durchführung Durchführung | 1). 2). 1). 2). | |
| 11 | 1 1 1 1 1 | 428 12 74-00 | Hylsa | Sleeve | Hülse | 1). 2). | |
| 12 | - 1 1 1 1 | ST0 27 43-00 | Fläkt | Fan | Gebälse | 2). | |
| 13 | 1 - - - - - 1 - - - - 1 - - - - - 1 - - - - 1 - - - - - 1 - - - - 1 - - - - - 1 - - - - 1 | 428 09 57-00 428 09 53-00 428 09 58-00 428 09 54-00 428 09 59-00 428 09 55-00 428 09 60-00 428 09 56-00 428 09 61-00 | Botten Botten Botten Botten Botten Botten Botten Botten Botten | Bottom Bottom Bottom Bottom Bottom Bottom Bottom Bottom Bottom | Boden Boden Boden Boden Boden Boden Boden Boden Boden | 1). 3). 3). 1). 2). 3). 1). 2). 3). 1). 2). 3). 1). 2). | |
| 14 | 1 1 1 - - - - - 1 1 | 428 10 69-00 481 70 08-00 | Lock Lock | Lid Lid | Deckel Deckel | 1). 2). 1). 2). | |
| 15 | 1 1 1 1 1 | 481 69 96-00 | Rör | Pipe | Rohr | 1). 2). | |
| 16 | 1 1 1 1 1 | 63 50 44 07 | Smörjnippel | Nipple | Nippel | 1). 2). | |
| 17 | 1 1 1 - - - - - 1 1 | 491 41 74-00 481 67 05-00 | Styrring Styrring | Guide Guide | Führung Führung | 1). 2). 1). 2). | |
| 18 | 1 1 1 - - - - - 1 1 | 740 44 26-10 740 44 30-10 | O-ring O-ring | O-ring O-ring | O-Ring O-Ring | 1). 2). 1). 2). | |
| 19 | 1 1 1 - - - - - 1 1 | 740 44 28-10 740 44 31-10 | O-ring O-ring | O-ring O-ring | O-Ring O-Ring | 1). 2). 1). 2). | |

Fet stil = Ändring
Bold print = Change
Fettdruck = Änderung

1). Smart Variomix
2). Smart Promix®
3). Smart

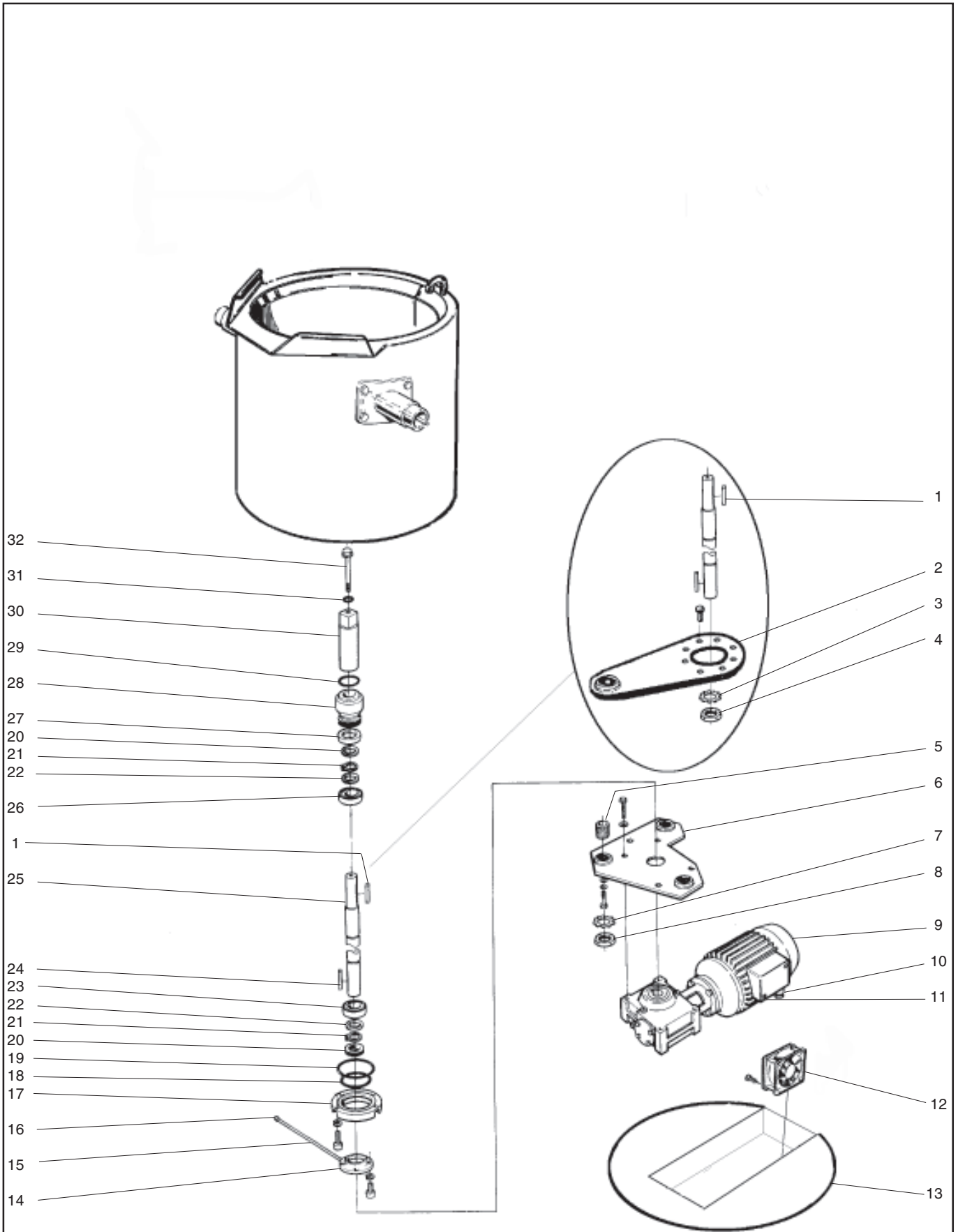


ILLUSTRATION 21788

| Omrörare, motor och axel Agitator, motor and shaft Rührwerk, Motor und Achse | | | Illustration 21788 | | | Utgåva Edition Ausgabe 1 | Månad Month Monat 06 | År Year Jahr 2013 |
|--|--|--|--|--|--|--|-------------------------------|----------------------------|
| Pos. | Antal Quantity Anzahl | Art.nr Art. no Art. Nr | Benämning | Description | Bezeichnung | Anm. Notes Anm. | | |
| | [[[[[| 50 L 100 L 150 L 200 L 300 L | | | | | | |
| 20 | 2 2 2 - - - - - 2 2 | 740 51 56-04 740 51 69-04 | Tättring Tättring | Sealing ring Sealing ring | Dichtungsring Dichtungsring | 1). 2). 1). 2). | | |
| 21 | 1 1 1 - - - - - 1 1 | 735 31 26-07 735 31 30-07 | Spärring Spärring | Locking ring Locking ring | Führungsring Führungsring | 1). 2). 1). 2). | | |
| 22 | 1 1 1 - - - - - 1 1 | 491 42 28-00 481 70 11-00 | Distansring Distansring | Spacer ring Spacer ring | Distanzring Distanzring | 1). 2). 1). 2). | | |
| 23 | 1 1 1 - - - - - 1 1 | 552 22 65-01 738 22 06-15 | Kullager Kullager | Ball bearing Ball bearing | Kugellager Kugellager | 1). 2). 1). 2). | | |
| 24 | 1 1 1 - - - - - 1 1 | 735 92 37-40 735 93 02-40 | Kil Kil | Wedge Wedge | Keil Keil | 1). 2). 1). 2). | | |
| 25 | 1 - - - - - 1 1 - - - - - 1 1 - - - 1 1 | ST0 93 42-00 ST0 93 45-00 ST0 93 43-00 ST0 93 44-00 | Axel Axel Axel Axel | Shaft Shaft Shaft Shaft | Ashe Ashe Ashe Ashe | 1). 1). 2). 2). 1). | | |
| 26 | 1 1 1 - - - - - 1 1 | 552 22 65-00 738 21 06-00 | Kullager Kullager | Ball bearing Ball bearing | Kugellager Kugellager | 1). 2). 1). 2). | | |
| 27 | 1 1 1 - - - - - 1 1 | 491 42 22-00 481 70 04-00 | Hållare Hållare | Holder Holder | Halter Halter | 1). 2). 1). 2). | | |
| 28 | 1 1 1 - - - - - 1 1 | 491 45 71-00 481 69 31-00 | Tätning Tätning | Seal Seal | Dichtung Dichtung | 1). 2). 1). 2). | | |
| 29 | 1 1 1 - - - - - 1 1 | 552 20 27-07 552 20 27-00 | O-ring O-ring | O-ring O-ring | O-Ring O-Ring | 1). 2). 1). 2). | | |
| 30 | 1 1 1 - - - - - 1 1 - 1 - - - - - 1 - - - - - 1 - - - - - 1 | 491 42 23-00 481 69 88-00 428 09 63-00 428 09 64-00 481 89 39-00 481 89 32-00 | Medbringaraxel Medbringaraxel Medbringaraxel Medbringaraxel Medbringaraxel Medbringaraxel | Carrier shaft Carrier shaft Carrier shaft Carrier shaft Carrier shaft Carrier shaft | Mitnehmerwelle Mitnehmerwelle Mitnehmerwelle Mitnehmerwelle Mitnehmerwelle Mitnehmerwelle | 1). 1). 2). 2). 2). 2). | | |
| 31 | 1 1 1 - - - - - 1 1 | 740 43 14-00 740 43 14-10 | O-ring O-ring | O-ring O-ring | O-Ring O-Ring | 1). 2). 1). 2). | | |
| 32 | 1 1 1 1 1 - 1 - - - - - 1 - - - - - 1 - - - - - 1 | 428 16 19-04 428 16 19-00 428 16 19-02 428 16 19-01 428 16 19-03 | Medbringarskruv Medbringarskruv Medbringarskruv Medbringarskruv Medbringarskruv | Carrier screw Carrier screw Carrier screw Carrier screw Carrier screw | Mitnehmerschraube Mitnehmerschraube Mitnehmerschraube Mitnehmerschraube Mitnehmerschraube | 1). 2). 2). 2). 2). | | |

Fet stil = Ändring
Bold print = Change
Fettdruck = Änderung

1). Smart Variomix
2). Smart Promix®
3). Smart

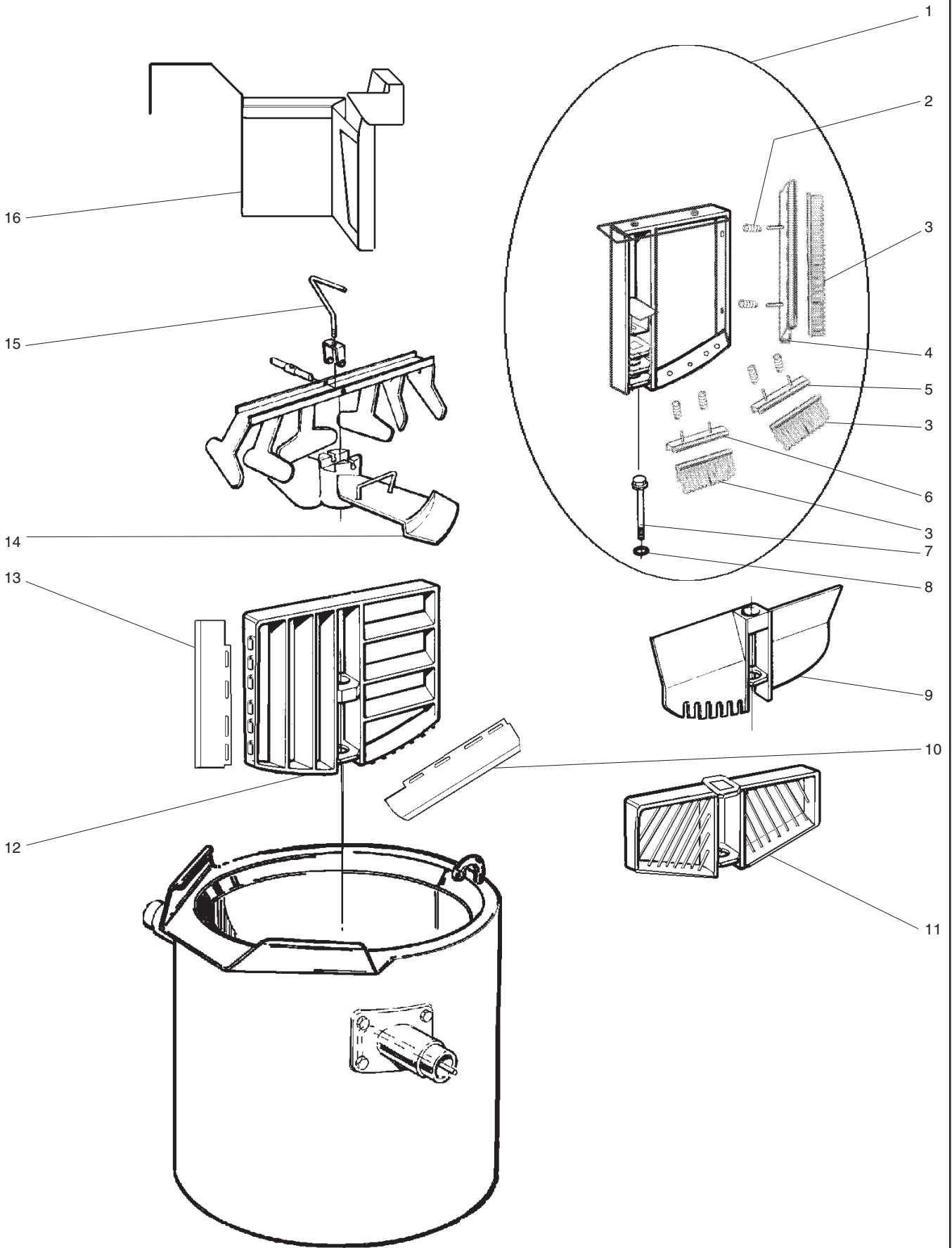


ILLUSTRATION 21771

| Omrörare, Verktyg Agitator, tools Rührwerk, Werkzeug | | | Illustration 21771 | | | Utgåva Edition Ausgabe 2 | Månad Month Monat 04 | År Year Jahr 2015 |
|--|-----------------------------|------------------------------|--------------------|------------------------|------------------------|-----------------------------------|-------------------------------|----------------------------|
| Pos. | Antal Quantity Anzahl | Art.nr Art. no Art. Nr | Benämning | Description | Bezeichnung | Anm. Notes Anm. | | |
| | [| 50 L | | | | | | |
| | [| 100 L | | | | | | |
| | [| 150 L | | | | | | |
| | [| 200 L | | | | | | |
| | [| 300 L | | | | | | |
| 1 | 1 - - - - | 9F92811900 | Regöringsverktyg | Cleaning tool | Reinigungs werkzeug | 1). | | |
| | - 1 - - - | 9F92812000 | Regöringsverktyg | Cleaning tool | Reinigungs werkzeug | 1). | | |
| | - - 1 - - | 9F92812100 | Regöringsverktyg | Cleaning tool | Reinigungs werkzeug | 1). | | |
| | - - - 1 - | 9F92812200 | Regöringsverktyg | Cleaning tool | Reinigungs werkzeug | 1). | | |
| | - - - - 1 | 9F92812300 | Regöringsverktyg | Cleaning tool | Reinigungs werkzeug | 1). | | |
| | - 1 - - - | 9F92812400 | Regöringsverktyg | Cleaning tool | Reinigungs werkzeug | 2). | | |
| | - - 1 - - | 9F92812500 | Regöringsverktyg | Cleaning tool | Reinigungs werkzeug | 2). | | |
| | - - - 1 - | 9F92812600 | Regöringsverktyg | Cleaning tool | Reinigungs werkzeug | 2). | | |
| | - - - - 1 | 9F92812900 | Regöringsverktyg | Cleaning tool | Reinigungs werkzeug | 2). | | |
| 2 | 4 6 6 6 6 | 428 16 18-00 | Fjäder | Spring | Feder | | | |
| 3 | 1 1 1 1 1 | 428 16 04-00 | Borst list | Brush | Bürsten | | | |
| 4 | 1 - - - - | 428 16 09-01 | Borstfäste kpl. | Brushn attachment cpl. | Bürstebefestigung kpl. | | | |
| | - 1 - - - | 428 16 09-05 | Borstfäste kpl. | Brushn attachment cpl. | Bürstebefestigung kpl. | | | |
| | - - 1 - - | 428 16 09-09 | Borstfäste kpl. | Brushn attachment cpl. | Bürstebefestigung kpl. | | | |
| | - - - 1 - | 428 16 09-13 | Borstfäste kpl. | Brushn attachment cpl. | Bürstebefestigung kpl. | | | |
| | - - - - 1 | 428 16 09-16 | Borstfäste kpl. | Brushn attachment cpl. | Bürstebefestigung kpl. | | | |
| 5 | 1 - - - - | 428 16 09-00 | Borstfäste kpl. | Brushn attachment cpl. | Bürstebefestigung kpl. | | | |
| | - 1 - - - | 428 16 09-03 | Borstfäste kpl. | Brushn attachment cpl. | Bürstebefestigung kpl. | | | |
| | - - 1 - - | 428 16 09-08 | Borstfäste kpl. | Brushn attachment cpl. | Bürstebefestigung kpl. | | | |
| | - - - 1 - | 428 16 09-12 | Borstfäste kpl. | Brushn attachment cpl. | Bürstebefestigung kpl. | | | |
| | - - - - 1 | 428 16 09-15 | Borstfäste kpl. | Brushn attachment cpl. | Bürstebefestigung kpl. | | | |
| 6 | - 1 - - - | 428 16 09-03 | Borstfäste kpl. | Brushn attachment cpl. | Bürstebefestigung kpl. | | | |
| | - - 1 - - | 428 16 09-07 | Borstfäste kpl. | Brushn attachment cpl. | Bürstebefestigung kpl. | | | |
| | - - - 1 - | 428 16 09-11 | Borstfäste kpl. | Brushn attachment cpl. | Bürstebefestigung kpl. | | | |
| | - - - - 1 | 428 16 09-15 | Borstfäste kpl. | Brushn attachment cpl. | Bürstebefestigung kpl. | | | |
| 7 | 1 1 1 1 1 | 9F92806600 | Medbringarskruv | Carrier screw | Mitnehmerschraube | 1). | | |
| | - 1 - - - | 9F92806700 | Medbringarskruv | Carrier screw | Mitnehmerschraube | 2). | | |
| | - - 1 - - | 9F92806800 | Medbringarskruv | Carrier screw | Mitnehmerschraube | 2). | | |
| | - - - 1 - | 9F92806900 | Medbringarskruv | Carrier screw | Mitnehmerschraube | 2). | | |
| | - - - - 1 | 9F92807000 | Medbringarskruv | Carrier screw | Mitnehmerschraube | 2). | | |
| 8 | 1 1 1 - - | 740 43 14-00 | O-ring | O-ring | O-Ring | 1). 2). | | |
| | - - - 1 1 | 740 43 14-10 | O-ring | O-ring | O-Ring | 1). 2). | | |
| 9 | 1 - - - - | 9F92806100 | Propelleromrörare | Agitator | Rührwerk | 1). | | |
| | - 1 - - - | 9F92806200 | Propelleromrörare | Agitator | Rührwerk | 1). | | |
| | - - 1 - - | 9F92806300 | Propelleromrörare | Agitator | Rührwerk | 1). | | |
| | - - - 1 - | 9F92806400 | Propelleromrörare | Agitator | Rührwerk | 1). | | |
| | - - - - 1 | 9F92806500 | Propelleromrörare | Agitator | Rührwerk | 1). | | |
| 10 | 1 - - - - | 428 14 30-00 | Bottenskrapa | Bottom scraper | Bodenabstreifer | 1). | | |
| | - 1 - - - | 428 14 32-00 | Bottenskrapa | Bottom scraper | Bodenabstreifer | 1). | | |
| | - - 1 - - | 428 14 34-00 | Bottenskrapa | Bottom scraper | Bodenabstreifer | 1). | | |
| | - - - 1 - | 428 14 36-00 | Bottenskrapa | Bottom scraper | Bodenabstreifer | 1). | | |
| | - - - - 1 | 428 14 38-00 | Bottenskrapa | Bottom scraper | Bodenabstreifer | 1). | | |

Fet stil = Ändring
Bold print = Change
Fettdruck = Änderung

1). Smart Variomix
2). Smart Promix®

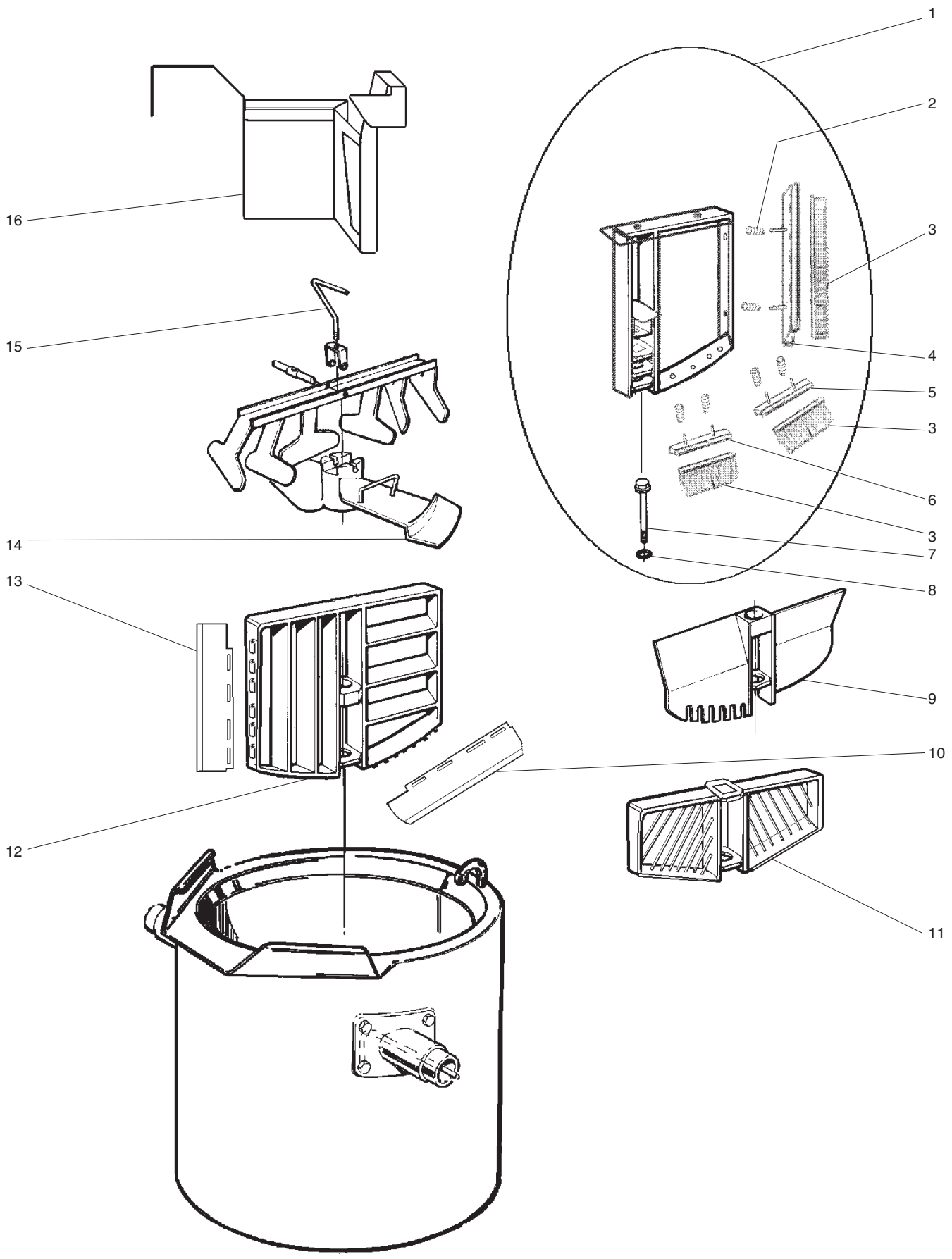


ILLUSTRATION 21771

| Omrörare, Verktyg Agitator, tools Rührwerk, Werkzeug | | | Illustration 21771 | | | Utgåva Edition Ausgabe 2 | Månad Month Monat 04 | År Year Jahr 2015 |
|--|-----------------------------|------------------------------|--------------------|-----------------------|------------------|-----------------------------------|-------------------------------|----------------------------|
| Pos. | Antal Quantity Anzahl | Art.nr Art. no Art. Nr | Benämning | Description | Bezeichnung | Anm. Notes Anm. | | |
| | [| 50 L | | | | | | |
| | [| 100 L | | | | | | |
| | [| 150 L | | | | | | |
| | [| 200 L | | | | | | |
| | [| 300 L | | | | | | |
| 11 | 1 - - - - | 9F92807100 | Vispverktyg | Whip tool | Rühren Werkzeug | 1). | | |
| | - 1 - - - | 9F92807200 | Vispverktyg | Whip tool | Rühren Werkzeug | 1). | | |
| | - - 1 - - | 9F92807300 | Vispverktyg | Whip tool | Rühren Werkzeug | 1). | | |
| | - - - 1 - | 9F92807400 | Vispverktyg | Whip tool | Rühren Werkzeug | 1). | | |
| | - - - - 1 | 9F92807500 | Vispverktyg | Whip tool | Rühren Werkzeug | 1). | | |
| 12 | 1 - - - - | 428 14 02-00 | Grindomrörare | Paddel agitator | Flügelrührwerk | 1). | | |
| | - 1 - - - | 428 14 03-00 | Grindomrörare | Paddel agitator | Flügelrührwerk | 1). | | |
| | - - 1 - - | 428 14 04-00 | Grindomrörare | Paddel agitator | Flügelrührwerk | 1). | | |
| | - - - 1 - | 428 14 05-00 | Grindomrörare | Paddel agitator | Flügelrührwerk | 1). | | |
| | - - - - 1 | 428 14 06-00 | Grindomrörare | Paddel agitator | Flügelrührwerk | 1). | | |
| 13 | 1 - - - - | 428 14 31-00 | Sidoskrapa | Side scraper | Seitenabstreifer | 1). | | |
| | - 1 - - - | 428 14 33-00 | Sidoskrapa | Side scraper | Seitenabstreifer | 1). | | |
| | - - 1 - - | 428 14 35-00 | Sidoskrapa | Side scraper | Seitenabstreifer | 1). | | |
| | - - - 1 - | 428 14 37-00 | Sidoskrapa | Side scraper | Seitenabstreifer | 1). | | |
| | - - - - 1 | 428 14 39-00 | Sidoskrapa | Side scraper | Seitenabstreifer | 1). | | |
| 14 | - 1 - - - | 428 09 26-00 | Propelleromrörare | Agitator | Rührwerk | 2). | | |
| | - - 1 - - | 428 09 27-00 | Propelleromrörare | Agitator | Rührwerk | 2). | | |
| | - - - 1 - | 428 09 28-00 | Propelleromrörare | Agitator | Rührwerk | 2). | | |
| | - - - - 1 | 428 08 07-00 | Propelleromrörare | Agitator | Rührwerk | 2). | | |
| 15 | - 1 - - - | 481 96 80-00 | Bottenomrörare | Bottom agitator | Rührwerk | 2). | | |
| | - - 1 - - | 428 13 61-00 | Bottenomrörare | Bottom agitator | Rührwerk | 2). | | |
| | - - - 1 - | 481 96 81-00 | Bottenomrörare | Bottom agitator | Rührwerk | 2). | | |
| | - - - - 1 | 481 96 82-00 | Bottenomrörare | Bottom agitator | Rührwerk | 2). | | |
| 16 | - 1 - - - | ST1 09 04-00 | Baffel | Agitator plate | Baffel | 2). | | |
| | - - 1 - - | ST1 09 05-00 | Baffel | Agitator plate | Baffel | 2). | | |
| | - - - 1 - | ST1 09 06-00 | Baffel | Agitator plate | Baffel | 2). | | |
| | - - - - 1 | ST1 09 07-00 | Baffel | Agitator plate | Baffel | 2). | | |

Fet stil = Ändring
Bold print = Change
Fettdruck = Änderung

1). Smart Variomix
2). Smart Promix®

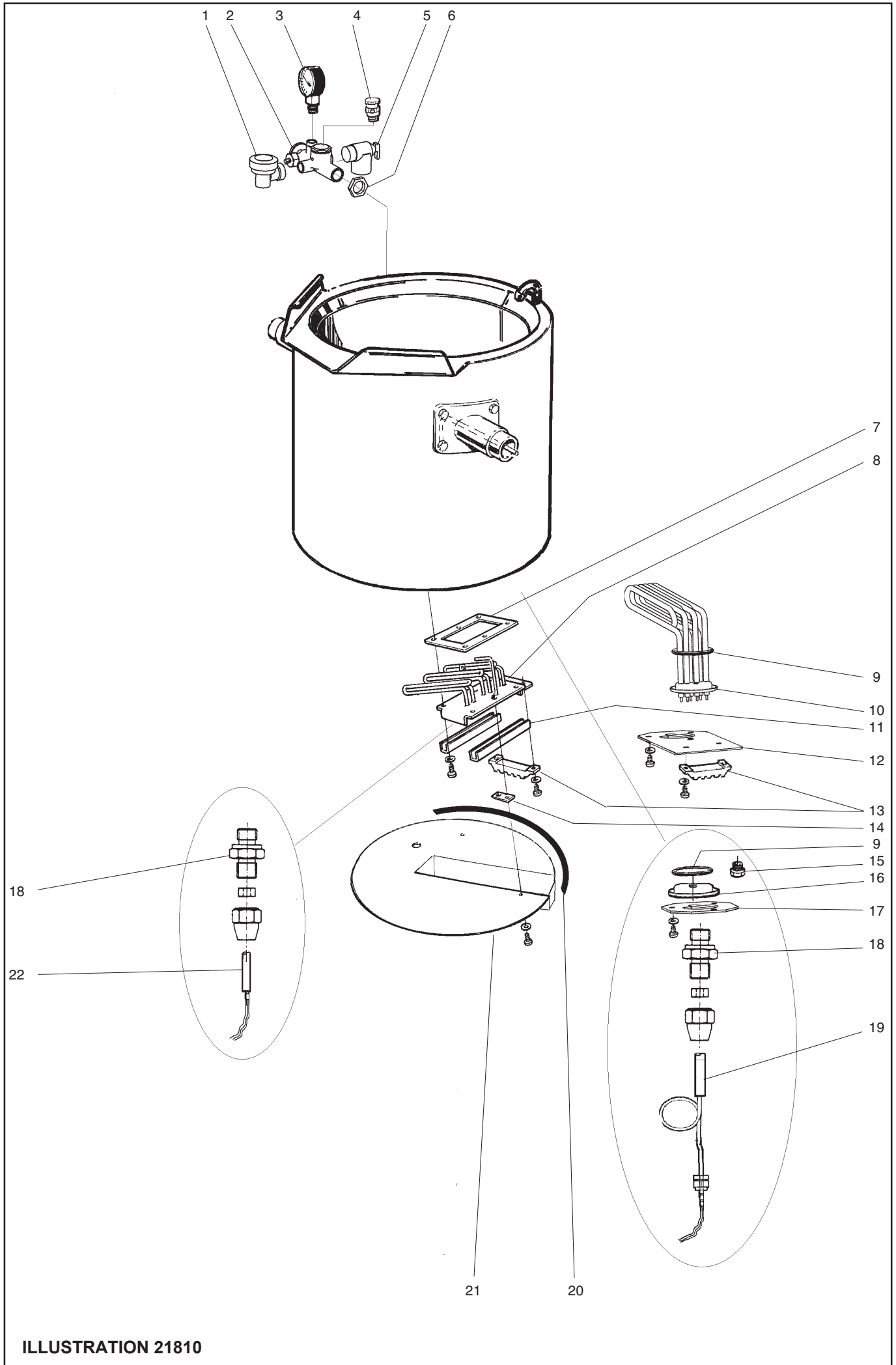


ILLUSTRATION 21810

| Uppvärmning, eluppvärmd Heating, electrical heated Beheizung, El. beheiz | | | Illustration 21810 | | | Utgåva Edition Ausgabe 2 | Månad Month Monat 04 | År Year Jahr 2015 |
|---|--|--|--|--|--|--|-------------------------------|----------------------------|
| P o s. | Antal Quantity Anzahl | Art.nr Art. no Art. Nr | Benämning | Description | Bezeichnung | Anm. Notes Anm. | | |
| | [[[[[| 50 L 100 L 150 L 200 L 300 L | | | | | | |
| 1 | 1 1 1 1 1 1 1 1 1 1 | 428 15 12-00 428 15 12-00 | Avluftare Avluftare | Dearator Dearator | Entlüftungshahn Entlüftungshahn | 1). | | |
| 2 | 1 1 1 1 1 | ST1 07 06-00 | Armatyr | Armature | Armatyr | | | |
| 3 | 1 1 1 1 1 | 428 10 28-00 | Manometer | Manometer | Manometer | | | |
| 4 | 1 1 1 1 1 | 481 93 34-00 | Vakuumbrytare | Vacuum switch | Vakuumschalter | 1). | | |
| 5 | 1 1 1 1 1 | 482 05 67-00 | Säkerhetsventil | Safety valve | Absperrventil | | | |
| 6 | 1 1 1 1 1 | 741 11 15-24 | Mutter | Nut | Mutter | | | |
| 7 | - - - 3 4 | 481 69 48-00 | Packning | Gasket | Dichtung | | | |
| 8 | - - - 2 3 - - - 2 3 - - - 1 1 - - - 2 3 | 428 10 26-00 428 10 26-10 428 10 27-00 428 10 27-10 | Element Element Element med genomföring Element med genomföring | Element Element Element with inlet Element with inlet | Element Element Element /Durchführung Element /Durchführung | 2). 230, 400V 230, 400V 230, 400V 230, 400V | | |
| 9 | 3 4 5 - - 2 3 4 - - | 740 48 31-05 740 48 31-05 | O-ring O-ring | O-Ring O-Ring | O-ring O-ring | 3). 4). 5). | | |
| 10 | 1 1 1 - - 1 2 3 - - 1 2 3 - - 1 2 3 - - | ST0 61 51-02 ST0 61 51-03 ST0 61 51-12 ST0 61 51-13 | Element (PT1000) Element Element Element | Element (PT1000) Element Element Element | Element (PT1000) Element Element Element | 3). 4).5). 230,400V 230, 400V 2). 230, 400V 2). 230, 400V | | |
| 11 | - - - 6 8 | 481 69 51-00 | U-profil | U-profile | U-Profil | | | |
| 12 | 2 3 4 - - | 428 12 73-00 | Elementfläns | Element flange | Elementflansche | | | |
| 13 | 2 3 4 3 4 | 475 93 38-00 | Plint | Block | Klemme | 230V | | |
| 14 | 3 4 5 6 6 | 491 46 74-00 | Fäste botten | Attachment | Befestigung | | | |
| 15 | - - - 1 1 | 482 40 63-00 | Bussning | Bush | Busche | 3). 4). 6). | | |
| 16 | 1 1 1 - - 1 1 1 - - | 428 12 84-00 428 47 94-00 | Fläns Fläns | Flange Flange | Flansche Flansche | 3). 4). 6). 3). 4). | | |
| 17 | 1 1 1 - - | 491 46 16-00 | Elementfläns | Element flange | Elementflansche | 3). 4). | | |
| 18 | 2 2 2 2 2 | 477 75 25-00 | Packbox | Stuffing box | Stoffbuchse | 3). 4). 6). | | |
| <p>1). Tillval mantelkyllning &/auto. vattenpåfyllning, Option Auto.cooling &/Auto.water filling, Option Mantelkühlung&/Auto.</p> <p>2). Tillval, element för hårt vatten; Optional, elements for lime water; Optionale Elemente für Kalkwasser</p> <p>3). Smart Variomix</p> <p>4). Smart Promix</p> <p>5). Smart</p> <p>6). Tillval mattemp.givare eller flödesmätare Optional food temperature sensor or flow meter Option Temperatursensor oder Durchflussmes</p> | | | | | | | | |
| Fet stil = Ändring | | | 7). T.o.m. 2015 vecka 23 | | | To 2015 week 23 | | |
| Bold print = Change | | | 8). Fr.o.m. 2015 vecka 24 | | | Zu 2015 , vochen 23 | | |
| Fettdruck = Änderung | | | | | | Ab. 2015 , vochen 24 | | |

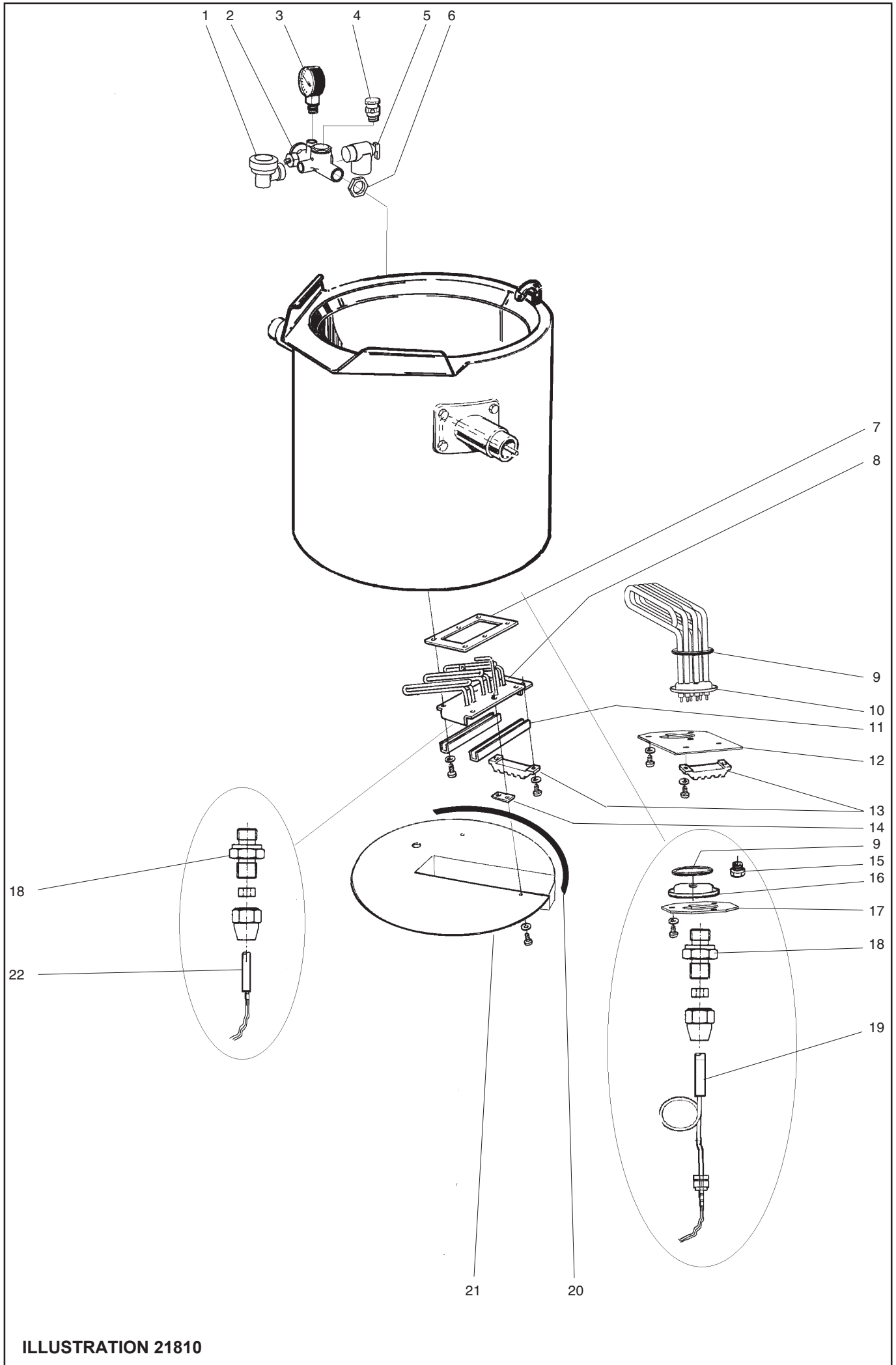


ILLUSTRATION 21810

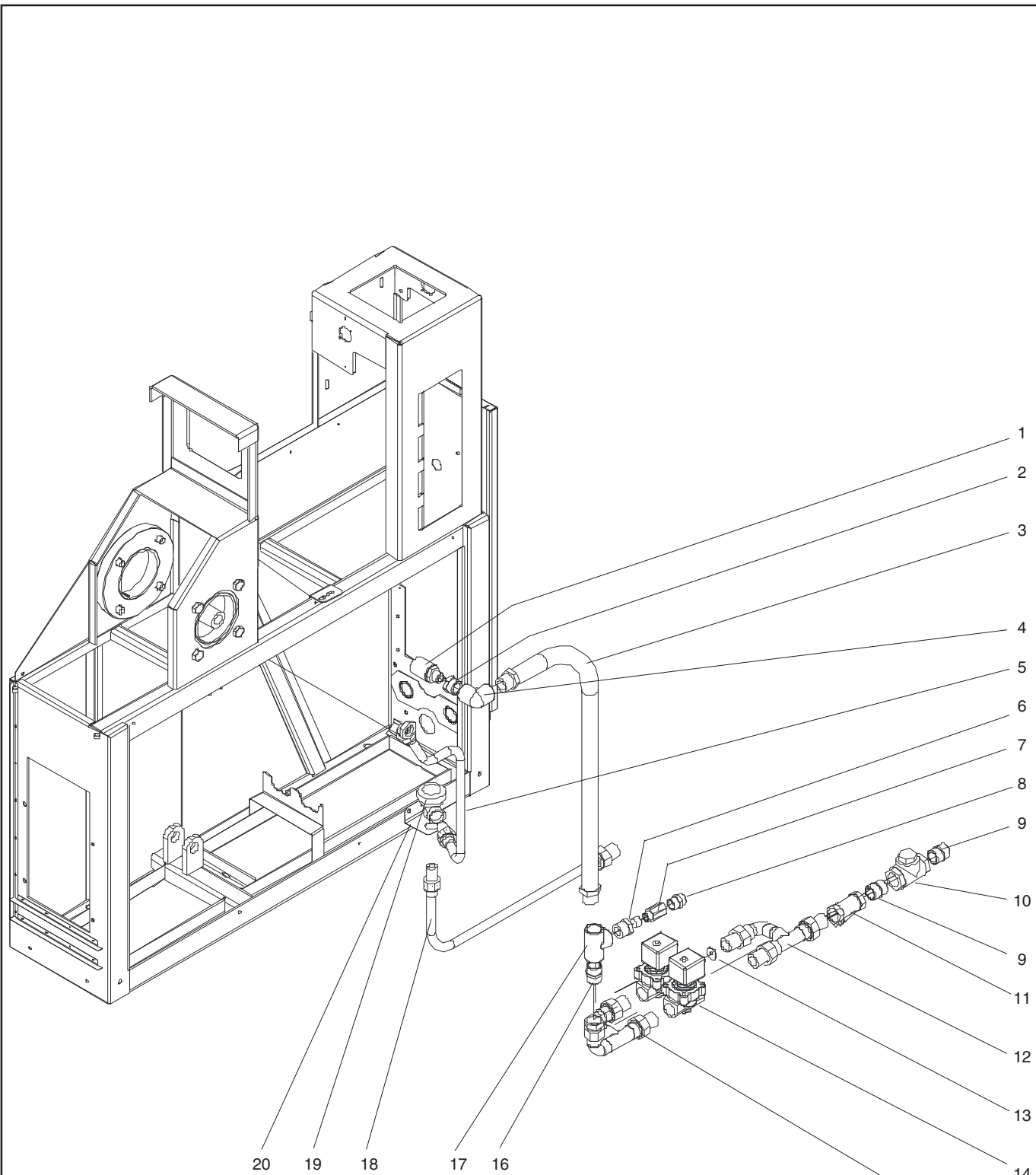


ILLUSTRATION 21811

| Uppvärmning, Ånguppvärmd Heating, steam heated Beheizung, dampfbeheizung | | | Illustration 21811 | | | Utgåva Edition Ausgabe 1 | Månad Month Monat 12 | År Year Jahr 2014 |
|--|-------------------------------------|--|---|---|--|-----------------------------------|-------------------------------|----------------------------|
| Pos. | Antal Quantity Anzahl | Art.nr Art. no Art. Nr | Benämning | Description | Bezeichnung | Anm. Notes Anm. | | |
| | [[[[[| 50 L 100 L 150 L 200 L 300 L | | | | | | |
| 1 | 2 2 2 2 2 | 490 04 54-01 | Svivel | Swivel | Drehbolzen | | | |
| 2 | 1 1 - - - - - 1 1 1 | 475 82 99-20 741 41 14-20 | Nippel Bussning | Nipple Bushing | Nippel Buchse | | | 1/2"-3/4" 1/2"-3/4" |
| 3 | 1 1 1 1 1 | ST0 62 53-00 | Slang kpl. | Hose cpl. | Schlauch kpl. | | | 3/4" |
| 4 | 1 1 - - - - - 1 1 1 | 742 11 13-21 742 11 15-21 | Vinkel Vinkel | Angular element Angular element | Winkelstück Winkelstück | | | |
| 5 | 1 1 - - - - - 1 1 1 | ST1 06 62-00 ST1 06 63-00 | Rör kpl. kondens Rör kpl. kondens | Pipe cpl. condensation Pipe cpl. condensation | Rohr kpl. Kondens. Rohr kpl. Kondens. | | | 1). 1). |
| 6 | 1 1 1 1 1 | 490 85 26-04 | Bussning | Bushing | Buchse | | | 2). 3/4"-3/8" |
| 7 | 1 1 1 1 1 | 428 08 62-00 | Nippel | Nipple | Nippel | | | 2). |
| 8 | 1 1 1 1 1 | 428 10 29-00 | Backventil | Non return valve | Rückslagventil | | | 2). 1/2" |
| 9 | 2 2 2 2 2 | 741 51 15-22 | Nippel | Nipple | Nippel | | | |
| 10 | 1 1 1 1 1 | 428 15 79-00 | Backventil | Non return valve | Rückslagventil | | | 3/4" |
| 11 | 1 1 1 1 1 | 552 21 17-00 | Filter | Filter | Filter | | | |
| 12 | 1 1 1 1 1 | ST0 62 79-00 | Rör kpl. | Pipe cpl. | Rohr kpl. | | | |
| 13 | 1 - - - - - 1 1 - - - - - 1 1 | 490 05 79-00 490 05 79-01 490 05 79-02 | Strypbricka Strypbricka Strypbricka | Reducing washer Reducing washer Reducing washer | Drosselscheibe Drosselscheibe Drosselscheibe | | | |
| 14 | 2 2 2 2 2 | 482 17 40-03 | Magnetventil | Soleniod valve | Magnetventil | | | |
| 15 | 1 1 1 1 1 | ST0 64 00-00 | Rör kpl. | Pipe cpl. | Rohr kpl. | | | |
| 16 | 1 1 1 1 1 | 741 31 13-21 | Nippel | Nipple | Nippel | | | 2). |
| 17 | 1 1 1 1 1 | 742 51 15-20 | T-rör | T-joint | T-Rohr | | | 2). |
| 18 | 1 1 - - - - - 1 1 1 | ST0 97 43-00 ST0 97 41-00 | Rör kpl. kondens Rör kpl. kondens | Pipe cpl. condensation Pipe cpl. condensation | Rohr kpl. Kondens. Rohr kpl. Kondens. | | | 1). 1). |
| 19 | 1 1 1 1 1 | 428 15 12-00 | Avluftare | Dearator | Entlüftungshahn | | | 1). |
| 20 | 1 1 1 1 1 | 428 15 43-00 | Fäste avluftare | Attachment dearator | Befestigung Entlüftungshahn | | | 1). |

Fet stil = Ändring
Bold print = Change
Fettdruck = Änderung

1). Gryta till höger Boiling pan on the right side Kochkessel auf der rechten Seite
2). Ånguppvärmd med tillval mantelkylning, Steam heated with option Auto. cooling, Dampfbeheizung mit option Mantelkühlung

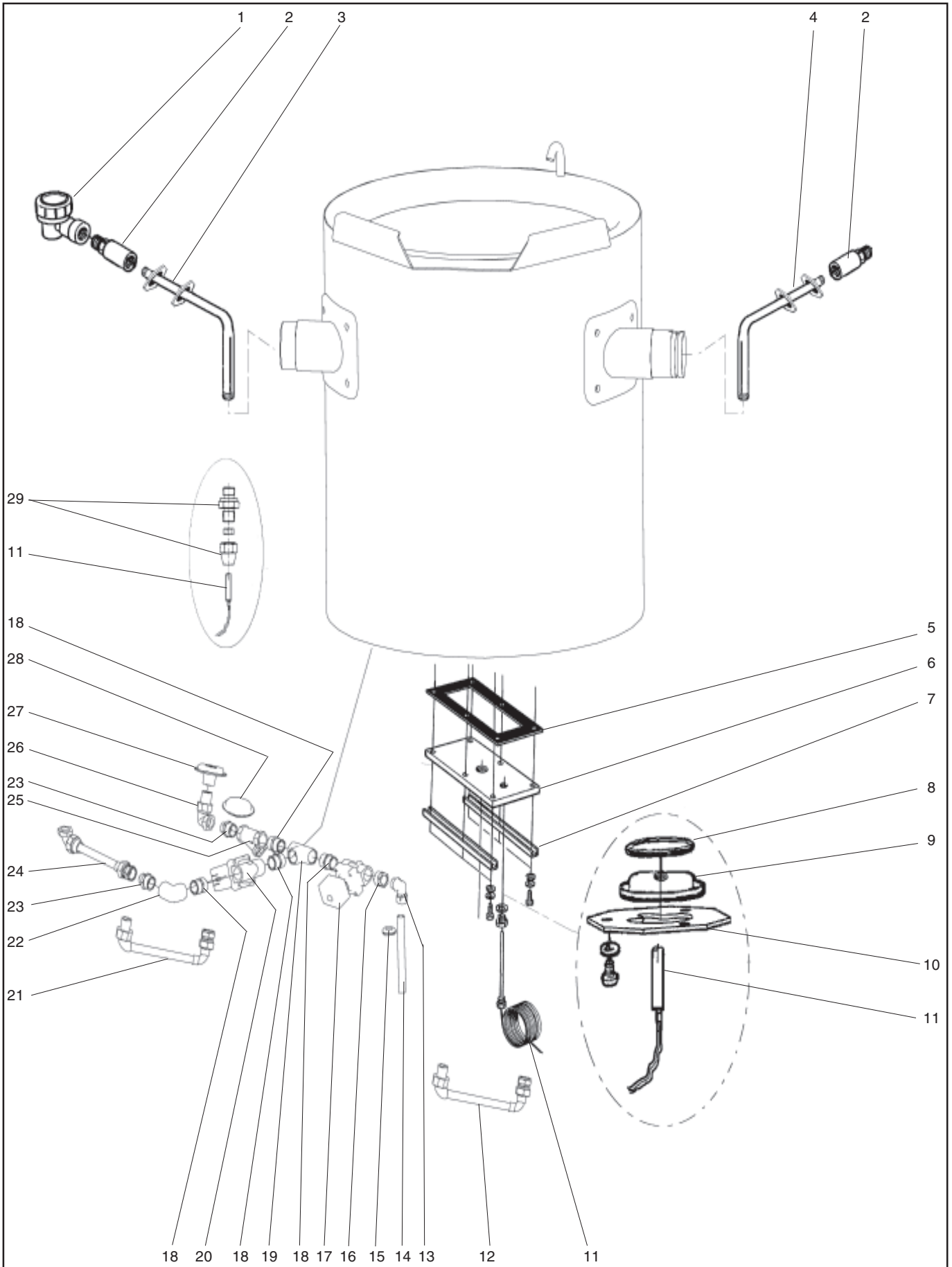


ILLUSTRATION 21802

| Uppvärmning, Ånguppvärmd Heating, steam heated Beheizug, dampfheizung | | | Illustration 21802 | | | Utgåva Edition Ausgabe 1 | Månad Month Monat 12 | År Year Jahr 2014 |
|---|-----------------------------|------------------------------|--------------------|----------------|-----------------|-----------------------------------|-------------------------------|----------------------------|
| Pos. | Antal Quantity Anzahl | Art.nr Art. no Art. Nr | Benämning | Description | Bezeichnung | Anm. Notes Anm. | | |
| | [| 50 L | | | | | | |
| | [| 100 L | | | | | | |
| | [| 150 L | | | | | | |
| | [| 200 L | | | | | | |
| | [| 300 L | | | | | | |
| 1 | 1 1 1 1 1 | 428 15 12-00 | Avluftare | Dearator | Entlüftungshahn | | | |
| 2 | 2 2 2 2 2 | 490 04 54-01 | Svivel | Swivel | Drehbolzen | | | |
| 3 | 1 - - - | ST1 05 74-00 | Rör | Pipe | Rohr | | | |
| | - 1 - - - | ST1 05 74-01 | Rör | Pipe | Rohr | | | |
| | - - 1 - - | ST1 05 74-02 | Rör | Pipe | Rohr | | | |
| | - - - 1 - | ST1 05 74-03 | Rör | Pipe | Rohr | | | |
| | - - - - 1 | ST1 05 74-04 | Rör | Pipe | Rohr | | | |
| 4 | 1 - - - - | ST1 05 74-05 | Rör | Pipe | Rohr | | | |
| | - 1 - - - | ST1 05 74-06 | Rör | Pipe | Rohr | | | |
| | - - 1 - - | ST1 05 74-07 | Rör | Pipe | Rohr | | | |
| | - - - 1 - | ST1 05 74-08 | Rör | Pipe | Rohr | | | |
| | - - - - 1 | ST1 05 74-09 | Rör | Pipe | Rohr | | | |
| 5 | - - - 3 4 | 481 69 48-00 | Flänspackning | Flange gasket | Flanschdichtung | | | |
| 6 | - - - 1 1 | 482 85 57-00 | Flänstätning | Flange seal | Flanschdichtung | | | |
| | - - - 2 3 | 482 85 89-00 | Flänstätning | Flange seal | Flanschdichtung | | | |
| 7 | - - - 6 8 | 481 69 51-00 | U-profil | U-profile | U-Profil | | | |
| 8 | 3 4 5 - - | 741 48 31-05 | O-ring | O-ring | O-Ring | | | |
| 9 | 1 1 1 - - | 428 12 84-00 | Blindfläns | Blind flange | Blindflansche | | | |
| 10 | 3 4 5 - - | 491 46 16-00 | Elementfäste | Attachment | Befestigung | | | |
| 11 | 1 1 1 1 1 | 428 09 62-00 | PT-1000 | PT-1000 | PT-1000 | | | |
| 12 | 1 - - - - | ST1 05 77-00 | Rör | Pipe | Rohr | | | |
| | - 1 - - - | ST1 05 77-01 | Rör | Pipe | Rohr | | | |
| | - - 1 - - | ST1 05 77-02 | Rör | Pipe | Rohr | | | |
| | - - - 1 - | ST1 05 77-03 | Rör | Pipe | Rohr | | | |
| | - - - - 1 | ST1 05 77-04 | Rör | Pipe | Rohr | | | |
| 13 | 1 1 1 1 1 | 743 46 35-25 | Koppling, vinkel | Coupling | Kupplung | 1). | 1/2"-1/2" | |
| 14 | 1 1 1 1 1 | ST8 00 17-00 | Rör | Pipe | Rohr | 1). | Ø=15x1,0 | |
| 15 | 1 1 1 1 1 | 762 12 32-00 | Genomföring | Inlet | Durchführung | 1). | Ø=15 | |
| 16 | 1 1 1 1 1 | 741 41 14-20 | Bussning | Busch | Buchse | 1). | 3/4"-1/2" | |
| 17 | 1 1 1 1 1 | 428 09 02-01 | Magnetventil | Solenoid valve | Magnetventil | 1). | 24V | |
| 18 | 4 4 4 4 4 | 741 31 15-21 | Nippel | Nipple | Nippel | 1). | 3/4" | |
| 19 | 1 1 1 1 1 | 742 51 15-20 | T-rör | Pipe | Rohr | 1). | | |
| 20 | 1 1 1 1 1 | 428 09 03-01 | Magnetventil | Solenoid valve | Magnetventil | 1). | 24V | |
| 21 | 1 - - - - | ST1 05 78-00 | Rör | Pipe | Rohr | | | |
| | - 1 - - - | ST1 05 78-01 | Rör | Pipe | Rohr | | | |
| | - - 1 - - | ST1 05 78-02 | Rör | Pipe | Rohr | | | |
| | - - - 1 - | ST1 05 78-03 | Rör | Pipe | Rohr | | | |
| | - - - - 1 | ST1 05 78-04 | Rör | Pipe | Rohr | | | |
| 22 | 1 1 1 1 1 | 742 11 15-20 | Vinkel | Coupling | Kupplung | 1). | 3/4" | |
| 23 | 2 2 2 2 2 | 741 38 14-24 | Nippel | Nipple | Nippel | 1). | 3/4"-1/2" | |
| 24 | 1 - - - - | ST1 05 79-00 | Rör | Pipe | Rohr | | | |
| | - 1 - - - | ST1 05 79-01 | Rör | Pipe | Rohr | | | |
| | - - 1 - - | ST1 05 79-02 | Rör | Pipe | Rohr | | | |
| | - - - 1 1 | ST1 05 79-03 | Rör | Pipe | Rohr | | | |
| 25 | 1 1 1 1 1 | 428 16 20-00 | Filter | Filter | Filter | 1). | 3/4" | |
| 26 | 1 1 1 1 1 | 63 56 38 02 | Koppling | Coupling | Kupplung | 1). | 1/2"-1/2" | |
| 27 | 1 1 1 1 1 | ST0 93 75-00 | Fläns | Flange | Flansche | 2). | | |
| 28 | 1 1 1 1 1 | 482 47 94-00 | Fläns | Flange | Flansche | 2). | | |
| 29 | 1 1 1 1 1 | 477 75 25-00 | Packbox | Stuffing box | Stoffbuchse | 2). | | |

Fet stil = Ändring

Bold print = Change

Fettdruck = Änderung

1). Tillval mantelkylning,

2). Tillval mattemp.givare

Option, Auto. cooling,

Option, food temperature sensor,

Option, Mantelkühlung

Option, Temperatursensor

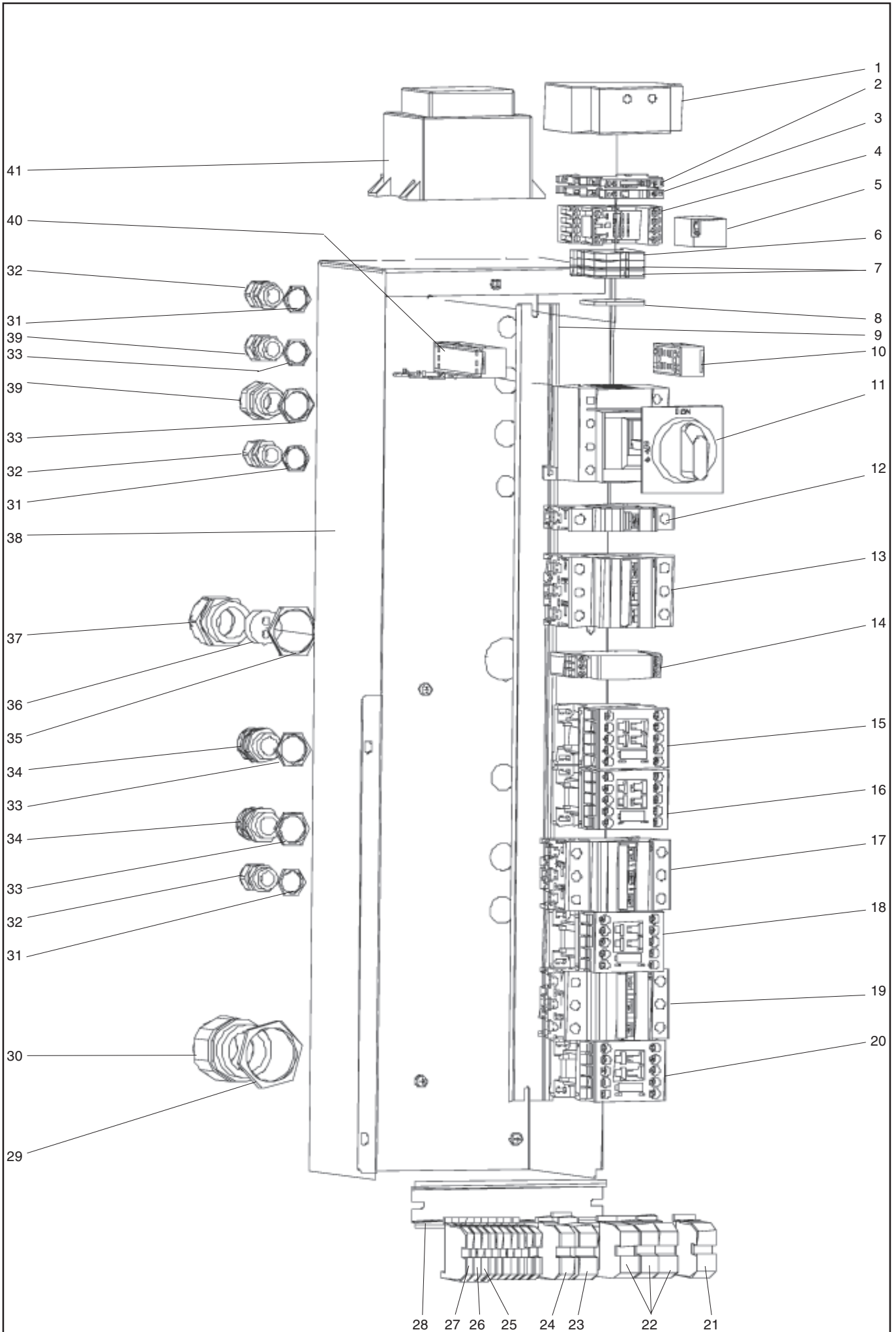


ILLUSTRATION 21803

Ellåda, eluppvärmd 50-100L
Electric box, electrical heated 50-100L
Eletrischebüsche, El. beheiz 50-100L

Illustration 21803

Utgåva
Edition
Ausgabe
1

Månad
Month
Monat
12

År
Year
Jahr
2014

| Pos. | Antal Quantity Anzahl | Art.nr Art. no Art. Nr | Benämning | Description | Bezeichnung | Anm. Notes Anm. |
|------|-----------------------------|------------------------------|---------------------------|----------------------------|------------------------------|-----------------------|
| | [| | SMB,SMV, SMP | | | |
| | [| | SVI | | | |
| 1 | 1 1 | ST1 01 78-00 | Relä, vattennivå kontroll | Relay, water level control | Relais, Wasserstandsregelung | 24VAC |
| 2 | 1 1 | ST1 07 59-00 | Interface relä | Interface relay | Interface-Relais | 2). 24VUC |
| 3 | 1 1 | ST1 07 59-00 | Interface relä | Interface relay | Interface-Relais | 1). 24VUC |
| | 1 1 | ST1 06 68-51 | Hjälpkontakt | Auxiliary contact | Hilfsschalter | 1). 1NC |
| 4 | 1 1 | ST1 06 68-51 | Socket | Mounting slide | Montagescheine | |
| 5 | 1 1 | ST1 06 70-00 | Relä | Relay | Relais | 4CO 24VAC |
| 6 | 1 1 | 552 22 52-02 | Kopplingsplint G/G 4 | Block terminal Y/G 4 | Klemmenbrett G/G 4 | |
| 7 | 2 2 | 552 22 51-02 | Kopplingsplint Blå 4 | Block terminal Blue 4 | Klemmenbrett Blau 4 | |
| 8 | 1 1 | 552 22 54-00 | Ändplatta | End plte | Endplatte | 2,5-10 |
| 9 | 1 1 | 475 93 46-26 | Monteringsskena | Mounting slide | Montagescheine | L=600 |
| 10 | 1 1 | ST0 93 66-00 | BK6 - plintlist | BK6 - Terminal | BK6 - Plintlist | 1). 2). |
| 11 | 1 1 | ST1 06 74-00 | Allpolig huvudbrytare | Switch | Schalter | 64A |
| | 1 1 | ST1 06 74-61 | Axel | Shaft | Achse | |
| | 1 1 | ST1 06 74-50 | Vred | Knob | Drehknopf | |
| 12 | 1 1 | ST1 06 71-03 | Säkringsautomat 13F2 | Automatic fuse 13F2 | Automatsicherung 13F2 | 3A |
| 13 | 1 1 | ST1 06 73-10 | Säkringsautomat 10F6 | Automatic fuse 10F6 | Automatsicherung 10F6 | 1). 2). 3P,10A |
| 14 | 1 1 | ST1 06 67-00 | Tidrelä | Time relay | Zeitrelais | 1). 2). 1CO 24V |
| 15 | 1 1 | ST1 06 68-00 | Kontaktor 15K6 | Contactactor 15K6 | Kontaktor 15K6 | 1).2). 4kW, 24VAC |
| 16 | 1 1 | ST1 06 68-00 | Kontaktor 14K4 | Contactactor 14K4 | Kontaktor 14K4 | 1).2). 4kW, 24VAC |
| 17 | 1 1 | ST1 06 73-25 | Säkringsautomat | Automatic fuse | Automatsicherung | 1). 2). 3P,25A |
| 18 | 1 1 | ST1 06 68-03 | Kontaktor 18K2 | Contactactor 18K2 | Kontaktor 18K2 | 1). 2). 7,5kW, 24VAC |
| 19 | 1 1 | ST1 06 73-16 | Säkringsautomat 11F3 | Automatic fuse 11F3 | Automatsicherung 11F3 | 1). 2). 3P,16A |
| 20 | 1 1 | ST1 06 68-01 | Kontaktor 18K2 | Contactactor 18K2 | Kontaktor 18K2 | 1).2).4kW, 24VAC |
| 21 | 1 1 | 552 22 51-06 | Kopplingsplint Blå35 | Block terminal Blue 35 | Klemmenbrett Blau 35 | |
| 22 | 3 3 | 552 22 50-06 | KopplingsplintGrå35 | Block terminal Grey 35 | Klemmenbrett Grau 35 | |
| 23 | 1 1 | 552 22 52-06 | Kopplingsplint G/G 35 | Block terminal Y/G 35 | Klemmenbrett G/G 35 | |
| 24 | 1 1 | 552 22 52-05 | Kopplingsplint G/G 16 | Block terminal Y/G 16 | Klemmenbrett G/G 16 | |
| 25 | x x | 552 22 50-02 | Kopplingsplint Grå 4 | Block terminal Grey 4 | Klemmenbrett Grau 4 | 4). |
| 26 | 1 1 | 552 22 51-02 | Kopplingsplint Blå 4 | Block terminal Blue 4 | Klemmenbrett Blau 4 | 4). |
| 27 | 1 1 | 552 22 50-02 | Kopplingsplint Grå 4 | Block terminal Grey 4 | Klemmenbrett Grau 4 | 4). |
| 28 | 1 1 | 475 93 46-09 | Monteringsskena | Mounting slide | Montagescheine | L=155 |
| 29 | 1 1 | ST0 28 64-06 | Mutter | Nut | Mutter | M40x1,5 |
| 30 | 1 1 | ST0 31 45-13 | Kabelförskruvning | Conduit entry | Verschraubung | M40x1,5 |
| 31 | 3 3 | ST0 28 64-02 | Mutter | Nut | Mutter | M16x1,5 |
| 32 | 3 3 | ST0 31 45-09 | Kabelförskruvning | Conduit entry | Verschraubung | M16x1,5 |
| 33 | 2 2 | ST0 28 64-03 | Mutter | Nut | Mutter | M20x1,5 |

Fet stil = Ändring
Bold print = Change
Fettdruck = Änderung

- 1). Smart Promix
- 2). Smart Variomix
- 3). Smart
- 4). EPC (Energy Peak Control)

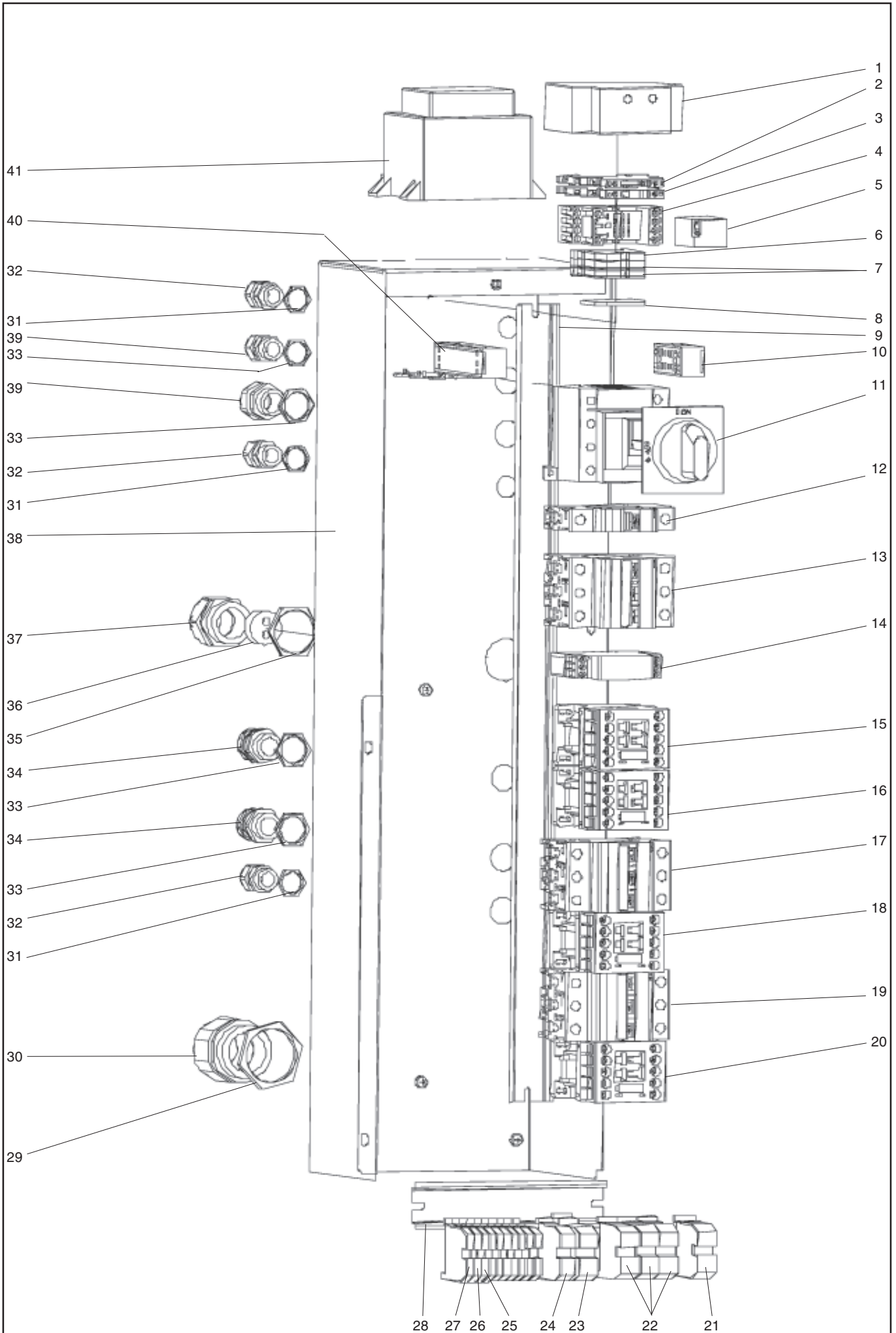


ILLUSTRATION 21803

Ellåda, eluppvärmd 50-100L
 Electric box, electrical heated 50-100L
 Elektrischebüschel, El. beheiz 50-100L

Illustration 21803

Utgåva Månad År
 Edition Month Year
 Ausgabe Monat Jahr
 1 12 2014

| Pos. | Antal Quantity Anzahl | Art.nr Art. no Art. Nr | Benämning | Description | Bezeichnung | Anm. Notes Anm. |
|------|-----------------------------|------------------------------|-----------------------------|-----------------|--------------------|-----------------------|
| | [| | SMB,SMV, SMP SVI | | | |
| 34 | 2 2 | ST0 36 56-02 | Kabelförskruvning | Conduit entry | Verschraubung | 1). 2). M20x1,5 |
| 35 | 1 1 | ST0 28 64-05 | Mutter | Nut | Mutter | M32x1,5 |
| 36 | 1 - | ST0 32 90-05 | Blindpropp | Blind plug | Blindstopfen | 3). M32 |
| 37 | 1 1 | ST0 31 45-12 | Kabelförskruvning | Conduit entry | Verschraubung | 1). 2). M32 |
| 38 | 1 1 | ST0 99 91-00 | Ellåda | Electric box | Elektrischebüschel | |
| 39 | 1 1 | ST0 31 45-10 | Kabelförskruvning | Conduit entry | Verschraubung | M20 |
| 40 | 1 1 | ST0 93 66-02 | BK12 - plintlist | BK12 - Terminal | BK12 - Plintlist | 1). 2). |
| 41 | 1 1 | ST0 99 56-00 | Transformator | Transformer | Transformator | 230-24V/10V AC |

Fet stil = Ändring
Bold print = Change
Fettdruck = Änderung

- 1). Smart Promix
- 2). Smart Variomix
- 3). Smart
- 4). EPC (Energy Peak Control)

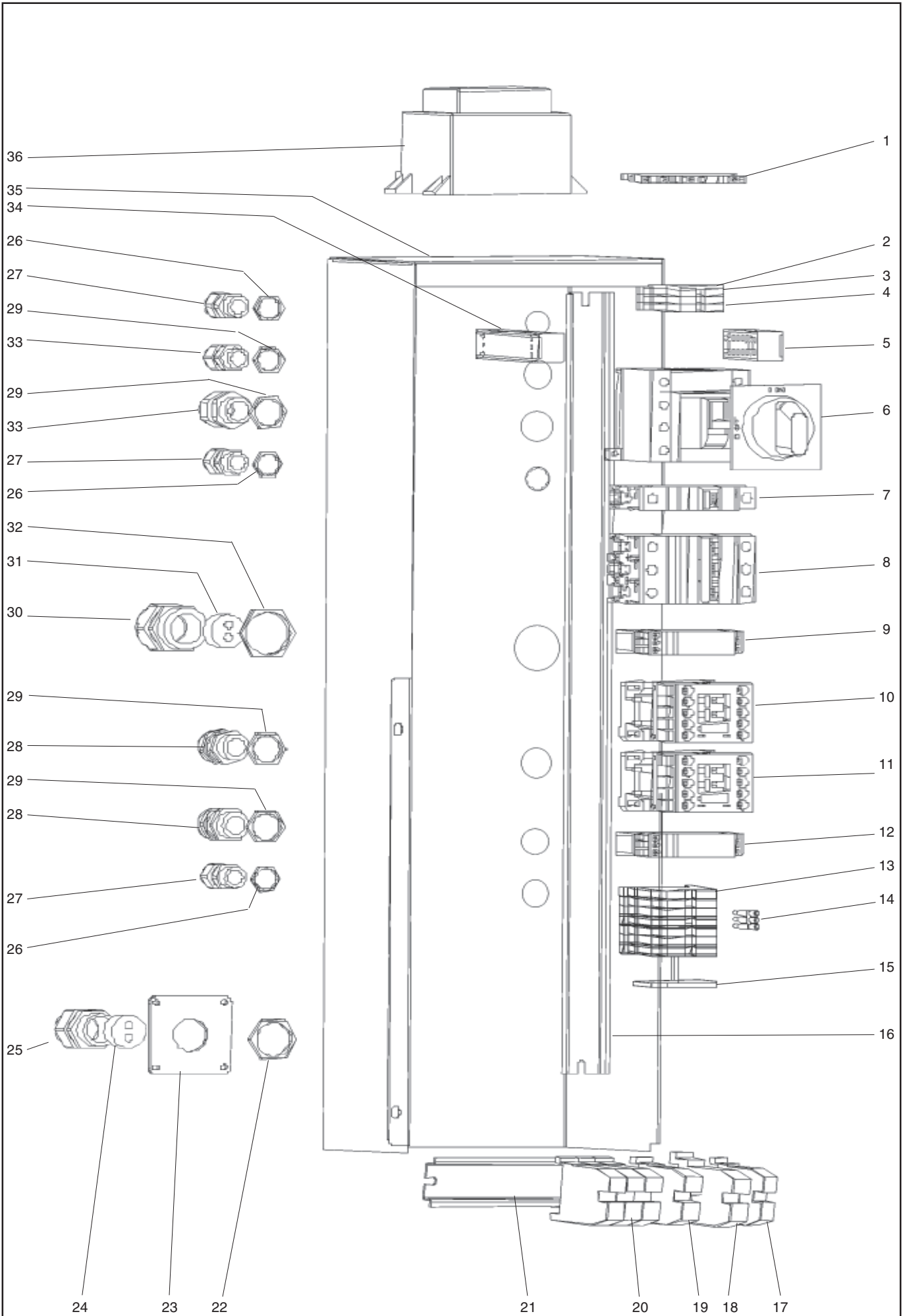


ILLUSTRATION 21804

Ellåda, Ånguppvärmd 50-100L
Electric box, Steam heated 50-100L
Eletrischebüsche, Dampfheizung 50-100L

Illustration 21804

Utgåva
Edition
Ausgabe
1

Månad
Month
Monat
12

År
Year
Jahr
2014

| Pos. | Antal Quantity Anzahl | Art.nr Art. no Art. Nr | Benämning | Description | Bezeichnung | Anm. Notes Anm. | |
|------|-----------------------------|------------------------------|-----------------------------|-------------------------|------------------------|-----------------------|-------------------|
| | [| | SMB,SMV, SMP SVI | | | | |
| 1 | 1 | 1 | ST0 88 76-01 | Interface relä | Interface relay | Interface-Relais | 1). 2). 24VUC |
| 2 | 1 | 1 | 552 22 54-00 | Ändplatta | End plte | Endplatte | 1). 2). 2,5-10 |
| | 2 | - | 552 22 54-00 | Ändplatta | End plte | Endplatte | 3). 2,5-10 |
| 3 | 3 | 3 | 552 22 51-02 | Kopplingsplint Blå 4 | Block terminal Blue 4 | Klemmenbrett Blau 4 | |
| 4 | 4 | 5 | 552 22 52-02 | Kopplingsplint G/G 4 | Block terminal Y/G 4 | Klemmenbrett G/G 4 | |
| 5 | 1 | 1 | ST0 93 66-00 | BK6 - plintlist | BK6 - Terminal | BK6 - Plintlist | 1). 2). |
| 6 | 1 | 1 | ST1 06 74-00 | Allpolig huvudbrytare | Switch | Schalter | 64A |
| | 1 | 1 | ST1 06 74-61 | Axel | Shaft | Achse | |
| | 1 | 1 | ST1 06 74-50 | Vred | Knob | Drehknopf | |
| 7 | 1 | 1 | ST1 06 71-03 | Säkringsautomat 13F2 | Automatic fuse 13F2 | Automatsicherung 13F2 | 3A |
| 8 | 1 | 1 | ST1 06 73-10 | Säkringsautomat 12F2 | Automatic fuse 12F2 | Automatsicherung 12F2 | 1). 2). 3P,10A |
| 9 | 1 | 1 | ST1 06 67-00 | Tidrelä | Time relay | Zeitrelais | 1). 2). 1CO 24V |
| 10 | 1 | 1 | ST1 06 68-00 | Kontaktor 15K6 | Contactactor 15K6 | Kontaktor 15K6 | 1).2). 4kW, 24VAC |
| 11 | 1 | 1 | ST1 06 68-00 | Kontaktor 14K4 | Contactactor 14K4 | Kontaktor 14K4 | 1).2). 4kW, 24VAC |
| 12 | 1 | 1 | ST1 06 70-00 | Relä | Relay | Relais | 4CO 24VAC |
| | 1 | 1 | ST1 06 68-51 | Socket | Mounting slide | Montagescheine | |
| 13 | x | x | 552 22 50-02 | Kopplingsplint Grå 4 | Block terminal Grey 4 | Klemmenbrett Grau 4 | |
| 14 | 1 | 1 | 552 22 56-06 | Överkopplingsbrygga 3/4 | Bridge 3/4 | Überbrückung 3/4 | |
| 15 | 1 | 1 | 552 22 54-00 | Ändplatta | End plte | Endplatte | 2,5-10 |
| 16 | 1 | 1 | 475 93 46-26 | Monteringsskena | Mounting slide | Montagescheine | L=600 |
| 17 | 1 | 1 | 552 22 52-05 | Kopplingsplint G/G 16 | Block terminal Y/G 16 | Klemmenbrett G/G 16 | |
| 18 | 1 | 1 | 552 22 52-06 | Kopplingsplint G/G 35 | Block terminal Y/G 35 | Klemmenbrett G/G 35 | |
| 19 | 1 | 1 | 552 22 51-06 | Kopplingsplint Blå35 | Block terminal Blue 35 | Klemmenbrett Blau 35 | |
| 20 | 3 | 3 | 552 22 50-06 | KopplingsplintGrå35 | Block terminal Grey 35 | Klemmenbrett Grau 35 | 1). 2). |
| | 1 | 1 | 552 22 50-06 | KopplingsplintGrå35 | Block terminal Grey 35 | Klemmenbrett Grau 35 | 3). |
| 21 | 1 | 1 | 475 93 46-09 | Monteringsskena | Mounting slide | Montagescheine | L=155 |
| 22 | 1 | 1 | ST0 28 64-06 | Mutter | Nut | Mutter | 3). M40x1,5 |
| | 1 | 1 | ST0 28 64-04 | Mutter | Nut | Mutter | 1). 2). M25x1,5 |
| 23 | 1 | 1 | ST0 93 90-00 | Täckbricka | Cover plate | Deckplatte | |
| 24 | 1 | 1 | ST0 93 54-10 | Tätning | Seal | Dichtung | 1). 2). M25x1,5 |
| 25 | 1 | - | ST0 32 90-06 | Blindpropp | Blind plug | Blindstopfen | 3). M40x1,5 |
| | - | 1 | ST0 31 45-13 | Kabelförskruvning | Conduit entry | Verschraubung | 1). 2). M40x1,5 |
| | 1 | - | ST0 31 45-11 | Kabelförskruvning | Conduit entry | Verschraubung | 1). 2). M25x1,5 |
| 26 | 3 | 3 | ST0 28 64-02 | Mutter | Nut | Mutter | M16x1,5 |
| 27 | 3 | 3 | ST0 31 45-09 | Kabelförskruvning | Conduit entry | Verschraubung | M16x1,5 |

Fet stil = Ändring
Bold print = Change
Fettdruck = Änderung

1). Smart Promix
2). Smart Variomix
3). Smart

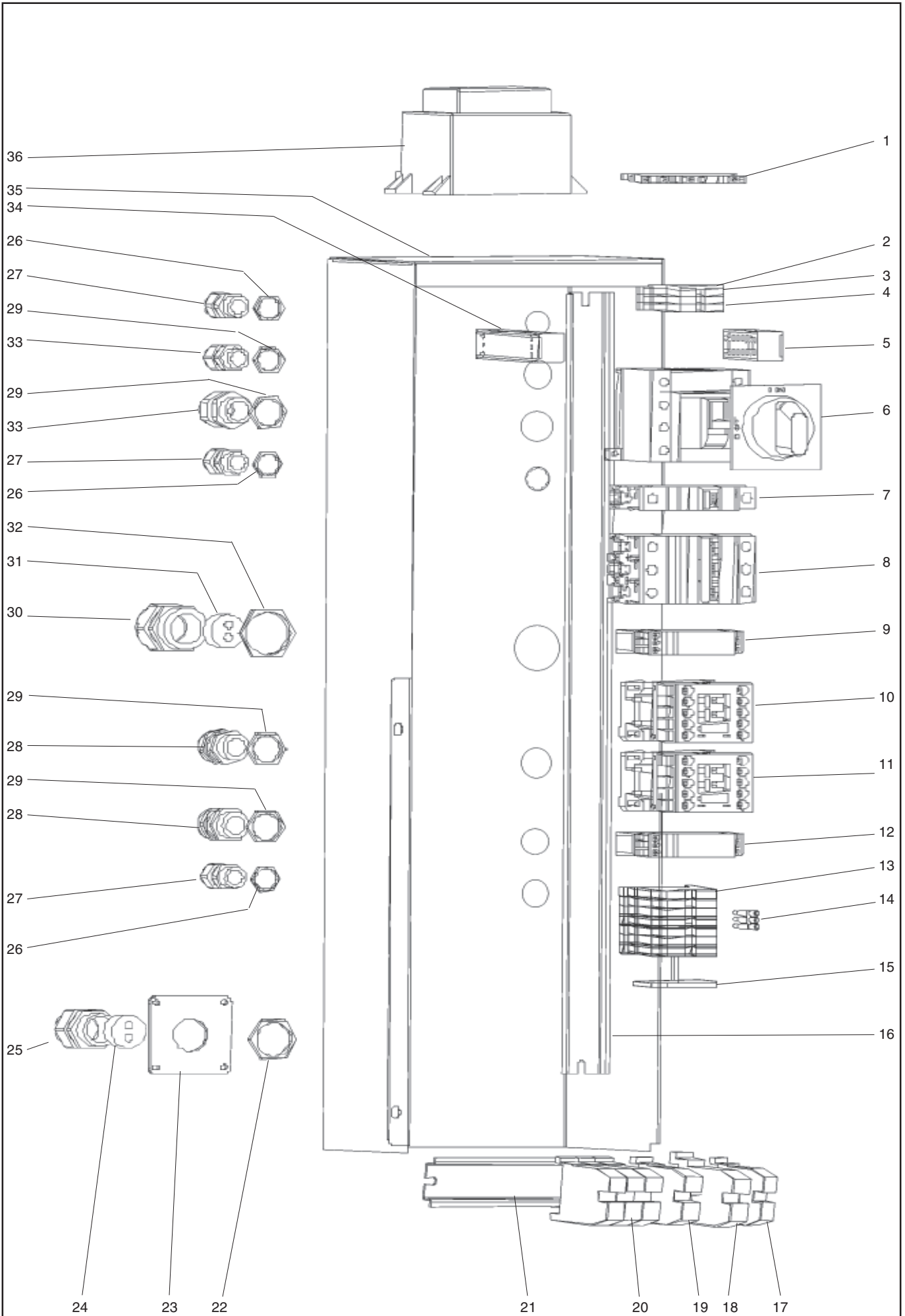


ILLUSTRATION 21804

Ellåda, Ånguppvärmd 50-100L
 Electric box, Steam heated 50-100L
 Elektrischebüsche, Dampfbeheiz 50-100L

Illustration 21804

Utgåva Månad År
 Edition Month Year
 Ausgabe Monat Jahr
 1 12 2014

| Pos. | Antal Quantity Anzahl | Art.nr Art. no Art. Nr | Benämning | Description | Bezeichnung | Anm. Notes Anm. |
|------|-----------------------------|------------------------------|-----------------------------|-----------------|-------------------|-----------------------|
| | [| | SMB,SMV, SMP SVI | | | |
| 28 | 2 | ST0 36 56-02 | Kabelförskruvning | Conduit entry | Verschraubung | M20x1,5 |
| 29 | 3 | ST0 28 64-03 | Mutter | Nut | Mutter | M20x1,5 |
| 30 | 1 | ST0 31 45-12 | Kabelförskruvning | Conduit entry | Verschraubung | 1). 2). M32 |
| 31 | 1 | ST0 93 54-18 | Tätning | Seal | Dichtung | 3). M32x1,5 |
| | 1 | ST0 93 54-10 | Tätning | Seal | Dichtung | 1). 2). M25x2x6,0 |
| 32 | 1 | ST0 28 64-05 | Mutter | Nut | Mutter | M32x1,5 |
| 33 | 2 | ST0 31 45 -10 | Kabelförskruvning | Conduit entry | Verschraubung | M20x1,5 |
| 34 | 1 | ST0 93 66-02 | BK12 - plintlist | BK12 - Terminal | BK12 - Plintlist | 1). 2). |
| 35 | 1 | ST0 99 91-00 | Ellåda | Electric box | Elektrischebüsche | |
| 36 | 1 | ST0 99 56-00 | Transformator | Transformer | Transformator | 5). 230-24V/10V AC |

Fet stil = Ändring
Bold print = Change
Fettdruck = Änderung

1). Smart Promix
 2). Smart Variomix
 3). Smart

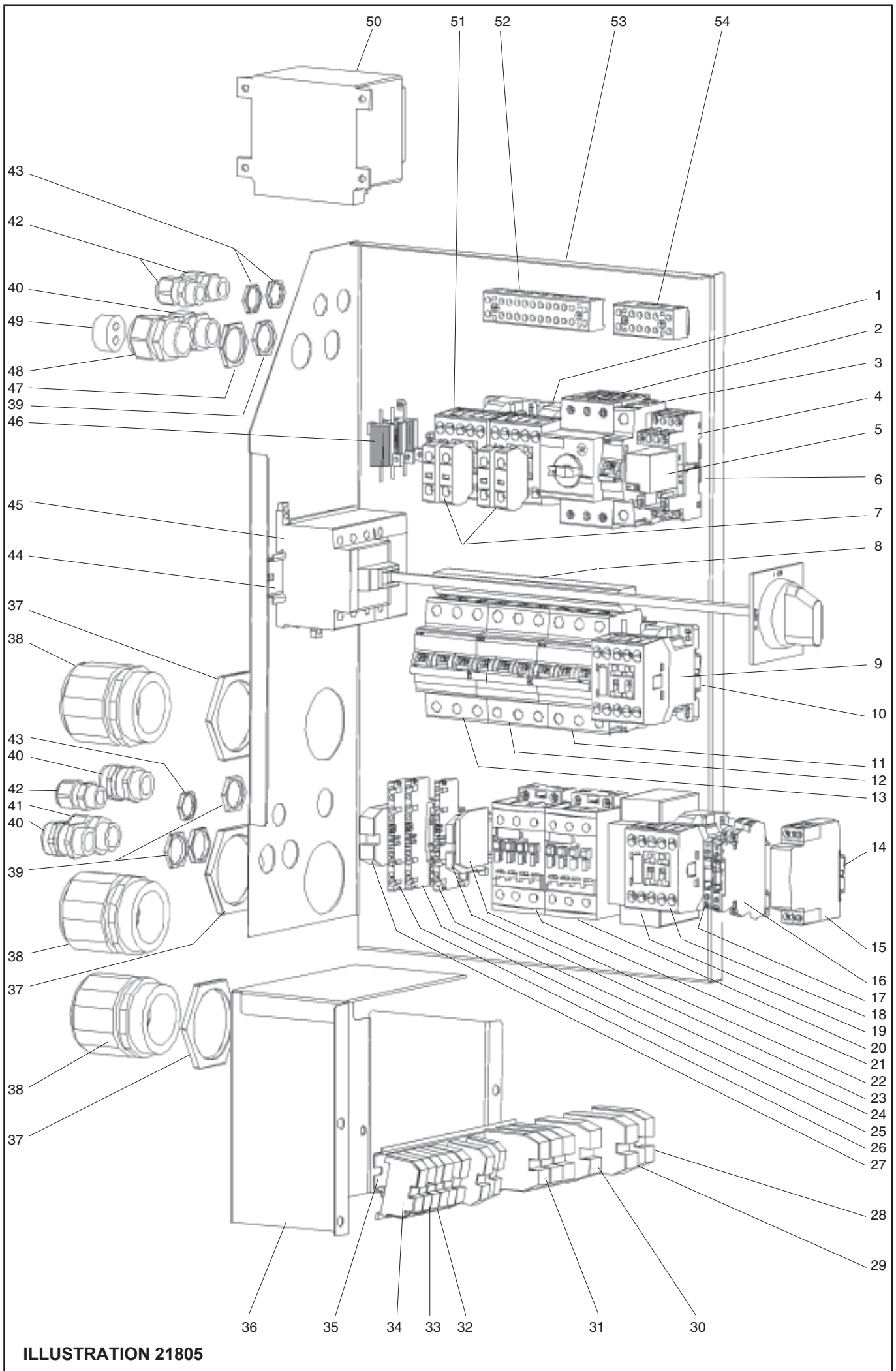


ILLUSTRATION 21805

| Ellåda, eluppvärmd 150-300L Electric box, electrical heated 150-300L Eletrischebüsche, El. beheiz 150-300L | | | Illustration 21805 | | | Utgåva Edition Ausgabe 2 | Månad Month Monat 05 | År Year Jahr 2015 |
|--|-----------------------------|------------------------------|--|--|--|--|-------------------------------|----------------------------|
| Pos. | Antal Quantity Anzahl | Art.nr Art. no Art. Nr | Benämning | Description | Bezeichnung | Anm. Notes Anm. | | |
| | [[[| 150 L 200 L 300 L | | | | | | |
| 1 | 1 1 1 | ST1 06 68-00 | Kontaktor 18K5 | Contactora 18K5 | Kontaktor 18K5 | 1).2). 4kW, 24VAC | | |
| 2 | 1 1 1 | ST1 07 58-07 | Motorskydds brytare | Motor protection switch | Motorschutzschalter | 1,6-2,5 A | | |
| 3 | 1 1 1 | ST1 06 71-03 | Säkringsautomat | Automatic fuse | Automatsicherung | 3A | | |
| 4 | 1 1 1 | ST1 06 70-50 | Sockel | Mounting slide | Montagescheine | | | |
| 5 | 1 1 1 | ST1 06 70-01 | Relä | Relay | Relais | 1). 2). 2CO 24VAC | | |
| 6 | 1 1 1 | 475 93 46-07 | Monteringsskena | Mounting slide | Montageschiene | L=180 | | |
| 7 | 4 4 4 | ST1 06 68-51 | Hjälpkontaktblock(röd) | Support contact plate(red) | Hilfskontaktblech(Rot) | 1NC | | |
| 8 | 1 1 1 1 1 1 | 552 55 08-02 552 55 08-03 | 3_fasskena 2grup. 3_fasskena 3grup. | 3-fase rail 2grup 3-fase rail 3grup | 3-fase Schiene 2grup 3-fase Schiene 3grup | 3). 5). 1). 2). | | |
| 9 | 1 1 1 | ST1 06 68-00 | Kontaktor 14K4 | Contactora 14K4 | Kontaktor 14K4 | 1).2). 4kW, 24VAC | | |
| 10 | 1 1 1 | 475 93 46-20 | Monteringsskena | Mounting slide | Montageschiene | L=210 | | |
| 11 | - 1 1 1 - - | ST1 06 73-16 ST1 06 73-10 | Säkringsautomat Säkringsautomat | Automatic fuse Automatic fuse | Automatsicherung Automatsicherung | 1). 2). 4). 3P,16A 1). 2). 4). 3P,10A | | |
| 12 | - 1 1 1 - - | ST1 06 73-40 ST1 06 73-25 | Säkringsautomat Säkringsautomat | Automatic fuse Automatic fuse | Automatsicherung Automatsicherung | 3P,40A 3P,25A | | |
| 13 | 1 1 1 | ST1 06 73-40 | Säkringsautomat | Automatic fuse | Automatsicherung | 3P,40A | | |
| 14 | 1 1 1 | 475 93 46-04 | Monteringsskena | Mounting slide | Montageschiene | L=280 | | |
| 15 | 1 1 1 | ST1 01 78-00 | Relä, vattennivå kontroll | Relay, water level control | Relais, Wasserstandsregelung | 1). HNM 24VAC | | |
| 16 | 1 1 1 | ST1 07 59-00 | Interface relä | Interface relay | Interface-Relais | 1). 24VUC | | |
| 17 | 1 1 1 | ST1 07 59-00 | Interface relä | Interface relay | Interface-Relais | 1). 2). 24VUC | | |
| 18 | 1 1 1 | ST1 06 68-00 | Kontaktor 15K6 | Contactora 15K6 | Kontaktor 15K6 | 1).2). 4kW, 24VAC | | |
| 19 | 1 1 1 | ST1 06 67-00 | Tidrelä | Time relay | Zeitrelais | 1). 2). 1CO 24V | | |
| 20 | - 1 1 1 - - | ST1 06 69-03 ST1 06 68-03 | Kontaktor 18K3 Kontaktor 18K3 | Contactora 18K3 Contactora 18K3 | Kontaktor 18K3 Kontaktor 18K3 | 1).2). 11kW,24VAC 1).2). 4kW, 24VAC | | |
| 21 | - 1 1 1 - - | ST1 06 69-03 ST1 06 68-03 | Kontaktor 18K2 Kontaktor 18K3 | Contactora 18K2 Contactora 18K3 | Kontaktor 18K2 Kontaktor 18K3 | 1).2). 11kW,24VAC 1).2). 4kW, 24VAC | | |
| 22 | 1 1 1 | 552 22 55-00 | Ändplatta | End plte | Endplatte | 1). 2). 2,5-70 | | |
| 23 | 2 2 2 | 552 22 51-02 | Kopplingsplint Blå 4 | Block terminal Blue 4 | Klemmenbrett Blau 4 | | | |
| 24 | 1 1 1 | ST1 07 56-00 | Plint N | Block N | Klemme N | | | |
| 25 | 1 1 1 | ST1 07 57-00 | Plint PE | Block PE | Klemme PE | | | |
| 26 | 1 1 1 | ST1 07 57-00 | Plint PE | Block PE | Klemme PE | | | |
| 27 | 1 1 1 | 552 22 52-06 | Kopplingsplint G/G 35 | Block terminal Y/G 35 | Klemmenbrett G/G 35 | | | |
| 28 | 1 1 1 | 552 22 52-05 | Kopplingsplint G/G 16 | Block terminal Y/G 16 | Klemmenbrett G/G 16 | 6). | | |

- 1). Smart Promix
- 2). Smart Variomix
- 3). Smart
- 4). Kokgryta med tillval isvattenkyllning
Boiling pans with option ice water cooling
Kochtöpfe mit ICE Option Eiswasser-Kühlung
- 5). Kokgryta med tillval dubbelmatad anslutning
Boiling pans with option dual electrical connection cable
Kochtöpfe mit doppelter elektrischer Verbindung
- 6). EPC (Energy Peak Control)

Fet stil = Ändring
Bold print = Change
Fettdruck = Änderung

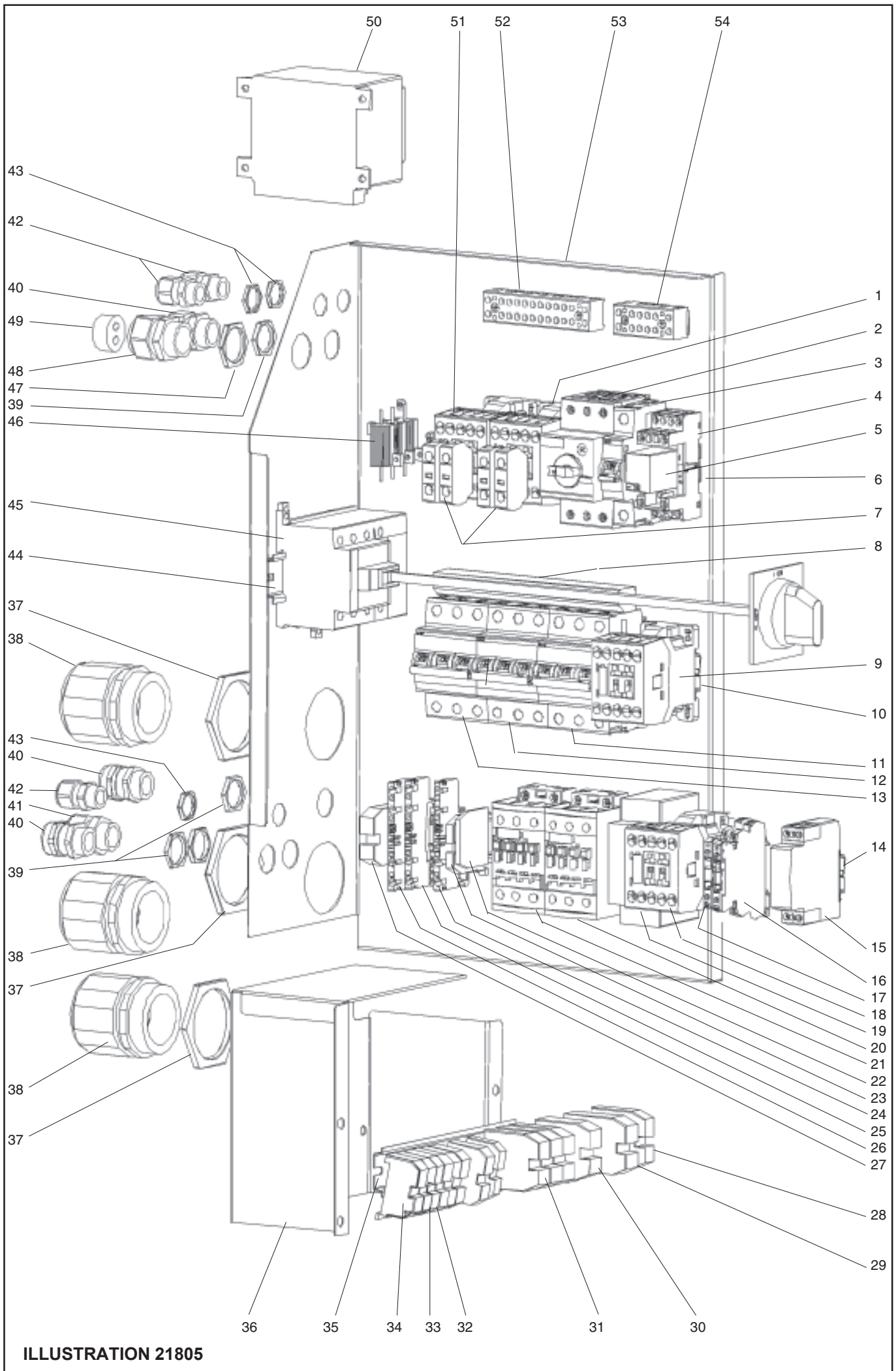


ILLUSTRATION 21805

| Eilåda, eluppvärmd 150-300L Electric box, electrical heated 150-300L Eletrischebüsche, El. beheiz 150-300L | | | Illustration 21805 | | | Utgåva Edition Ausgabe 2 | Månad Month Monat 05 | År Year Jahr 2015 |
|--|--|--|--|--|---|-----------------------------------|-------------------------------|----------------------------|
| Pos. | Antal Quantity Anzahl | Art.nr Art. no Art. Nr | Benämning | Description | Bezeichnung | Anm. Notes Anm. | | |
| | [[[| 150 L 200 L 300 L | | | | | | |
| 29 | 1 1 1 | 552 22 52-06 | Kopplingsplint G/G 35 | Block terminal Y/G 35 | Klemmenbrett G/G 35 | | | |
| 30 | 1 1 1 | 552 22 51-06 | Kopplingsplint Blå 35 | Block terminal Blue 35 | Klemmenbrett Blau 35 | | | |
| 31 | 3 3 3 | 552 22 50-06 | Kopplingsplint Grå 35 | Block terminal Grey 35 | Klemmenbrett Grau 35 | | | |
| 32 | 6 6 6 | 552 22 50-02 | Kopplingsplint Grå 4 | Block terminal Grey 4 | Klemmenbrett Grau 4 | 6). | | |
| 33 | 1 1 1 | 552 22 51-02 | Kopplingsplint Blå 4 | Block terminal Blue 4 | Klemmenbrett Blau 4 | 6). | | |
| 34 | 1 1 1 | 552 22 50-02 | Kopplingsplint Grå 4 | Block terminal Grey 4 | Klemmenbrett Grau 4 | 6). | | |
| 35 | 1 1 1 | 475 93 46-23 | Monteringsskena | Mounting slide | Montageschiene | | | L=175 |
| 36 | 1 1 1 | 428 06 34-00 | Fäste | Attachment | Befestigung | | | |
| 37 | 3 3 3 | ST0 28 64-07 | Mutter | Nut | Mutter | | | M50x1,5 |
| 38 | 3 3 3 | ST0 31 45-14 | Kabelförskruvning | Pipe nipple and nut | Verschraubung | | | M50x1,5 |
| 39 | 4 4 4 | ST0 28 64-03 | Mutter | Nut | Mutter | | | M20x1,5 |
| 40 | 1 1 1 | ST0 31 45-10 | Kabelförskruvning | Conduit entry | Verschraubung | 1). 2). | | M20 |
| 41 | 2 2 2 | ST0 36 56-02 | Kabelförskruvning | Conduit entry | Verschraubung | 1). 2). | | M20x1,5 |
| 42 | 2 2 2 | ST0 31 45-09 | Kabelförskruvning | Conduit entry | Verschraubung | | | M16x1,5 |
| 43 | 2 2 2 | ST0 28 64-02 | Mutter | Nut | Mutter | | | M16x1,5 |
| 44 | 1 1 1 | 475 93 46-08 | Monteringsskena | Mounting slide | Montageschiene | | | L=110 |
| 45 | 1 1 1 1 1 1 1 1 1 - 1 1 - 1 1 - 1 1 | ST1 06 74-00 ST1 06 74-61 ST1 06 74-50 ST1 06 74-02 ST1 06 74-63 ST1 06 74-51 | Allpolig brytare Axel Vred Allpolig dubbelbrytare Axel Vred | Main switch Shaft Knob Dubbel switch Shaft Knob | Hauptschalter Achse Drehknopf Doppelschalter Achse Drehknopf | 1). 2). 3). | | 4P. 64A 8P. 64A |
| 46 | 3 3 3 | 428 02 03-00 | Effektmotstånd | Power resistance | Leistungswiderstand | | | 25kW |
| 47 | 1 1 1 | ST0 28 64-04 | Mutter | Nut | Mutter | | | M25x2 |
| 48 | 1 1 1 | ST0 31 45-11 | Kabelförskruvning | Conduit entry | Verschraubung | 1). 2). | | M25x1,5 |
| 49 | 1 1 1 1 1 1 | ST0 32 90-04 ST0 93 54-10 | Blindpropp Tätning | Blind plug Seal | Blindstopfen Dichtung | 3). 1). 2). | | M25x1,5 M25x1,5 |
| 50 | 1 1 1 | ST0 99 56-00 | Transformator | Transformer | Transformator | | | 230-24V/10V AC |
| 51 | 1 1 1 | ST1 06 68-00 | Kontaktor 18K6 | Contactora 18K6 | Kontaktor 18K6 | 1). 2). | | 4kW, 24VAC |
| 52 | 1 1 1 | ST0 93 66-02 | BK12 - plintlist | BK12 - terminal | BK12 - Plintlist | 1). 2). | | |
| 53 | 1 1 1 | ST0 99 90-00 | Eilåda | Electric box | Elektrischebüsche | | | |
| 54 | 1 1 1 | ST0 93 66-00 | BK6 - plintlist | BK6 - terminal | BK6 - Plintlist | | | |

- 1). Smart Promix
- 2). Smart Variomix
- 3). Smart
- 4). Kokgryta med tillval isvattenkyllning
Boiling pans with option ice water cooling
Kochtöpfe mit ICE Option Eiswasser-Kühlung
- 5). Kokgryta med tillval dubbelmatad anslutning
Boiling pans with option dual electrical connection cable
Kochtöpfe mit doppelter elektrischer Verbindung
- 6). EPC (Energy Peak Control)

Fet stil = Ändring
Bold print = Change
Fettdruck = Änderung

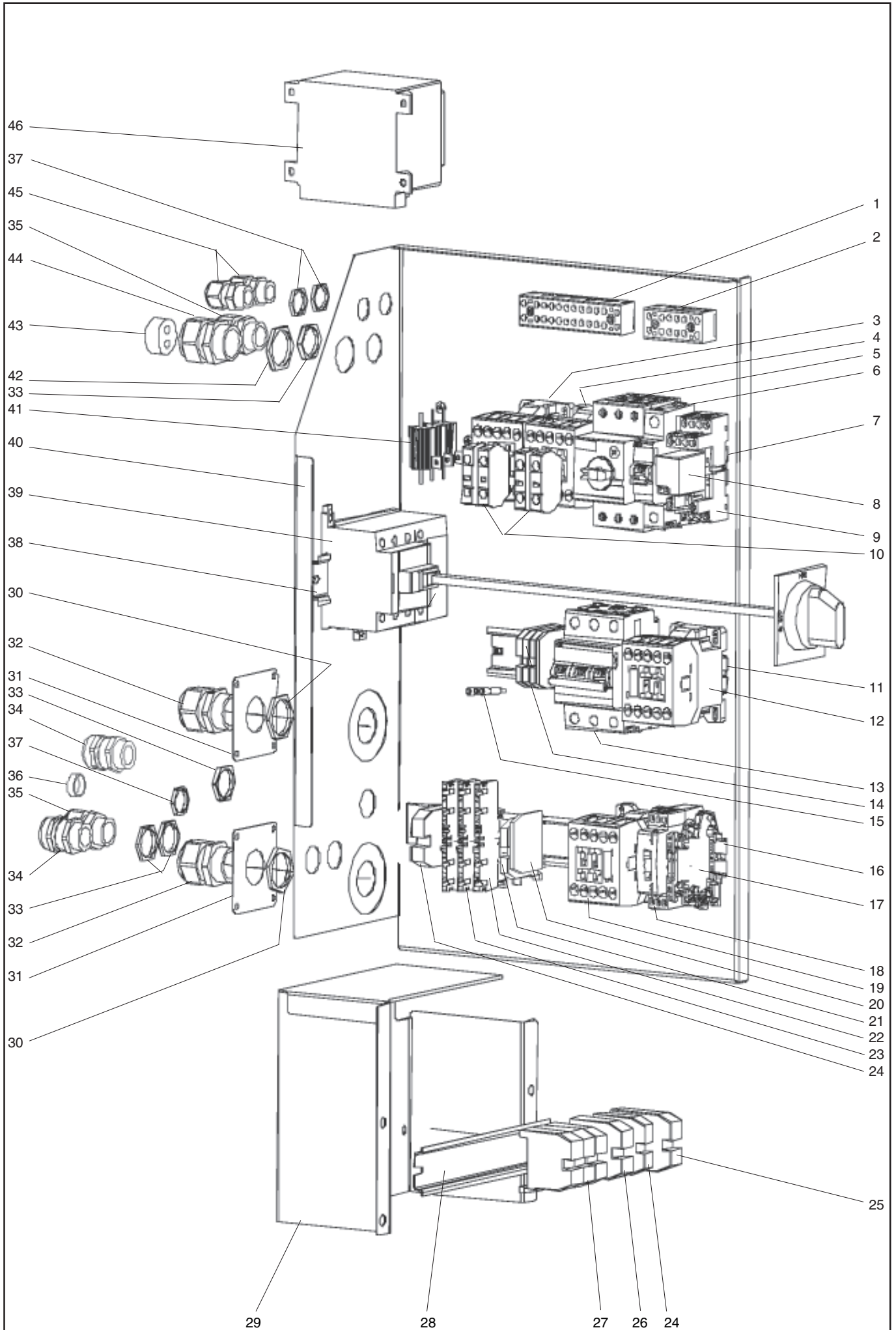


ILLUSTRATION 21806

| Ellåda,ånguppvärmd 150-300L Electric box, Steam heated150-300L Eletrischebüsche, Dampfbeheiz 150-300L | | | Illustration 21806 | | | Utgåva Edition Ausgabe 1 | Månad Month Monat 12 | År Year Jahr 2014 |
|---|-----------------------------|------------------------------|---------------------------|----------------------------|------------------------|-----------------------------------|-------------------------------|----------------------------|
| Pos. | Antal Quantity Anzahl | Art.nr Art. no Art. Nr | Benämning | Description | Bezeichnung | Anm. Notes Anm. | | |
| | [[[| 150 L 200 L 300 L | | | | | | |
| 1 | 1 1 1 | ST0 93 66-02 | BK12 - plintlist | BK12 - terminal | BK12 - Plintlist | 1). 2). | | |
| 2 | 1 1 1 | ST0 93 66-00 | BK6 - plintlist | BK6 - terminal | BK6 - Plintlist | | | |
| 4 | 1 1 1 | ST1 06 68-00 | Kontaktor 18K5 | Contactactor 18K5 | Kontaktor 18K5 | 1).2). 4kW, 24VAC | | |
| 3 | 1 1 1 | ST1 06 68-00 | Kontaktor 18K6 | Contactactor 18K6 | Kontaktor 18K6 | 1).2). 4kW, 24VAC | | |
| 5 | 1 1 1 | ST1 07 58-07 | Motorskyddsbytare | Motor protection switch | Motorschutzschalter | 1,6-2,5 A | | |
| 6 | 1 1 1 | ST1 06 71-03 | Säkringsautomat | Automatic fuse | Automatsicherung | 3A | | |
| 7 | 1 1 1 | 475 93 46-07 | Monteringsskena | Mounting slide | Montageschiene | L=180 | | |
| 8 | 1 1 1 | ST1 06 70-01 | Relä | Relay | Relais | 1). 2). 2CO 24VAC | | |
| 9 | 1 1 1 | ST1 06 70-50 | Sockel | Mounting slide | Montageschiene | | | |
| 10 | 4 4 4 | ST1 06 68-51 | Hjälpkontaktblock(röd) | Support contact plate(red) | Hilfskontaktblech(Rot) | 1NC | | |
| 11 | 1 1 1 | 475 93 46-20 | Monteringsskena | Mounting slide | Montageschiene | L=210 | | |
| 12 | 1 1 1 | ST1 06 68-00 | Kontaktor 14K4 | Contactactor 14K4 | Kontaktor 14K4 | 1).2). 4kW, 24VAC | | |
| 13 | 1 1 1 | ST1 06 73-16 | Säkringsautomat | Automatic fuse | Automatsicherung | 1). 2). 4). 3P,16A | | |
| 14 | 7 7 7 | 552 22 50-02 | Kopplingsplint Grå 4 | Block terminal Grey 4 | Klemmenbrett Grau 4 | 1). 2). 3). | | |
| 15 | 1 1 1 | 552 22 56-05 | Överkopplingsbrygga | Bridge 4/2 | Überbrückung 4/2 | 1). 2). | | |
| 16 | 1 1 1 | 475 93 46-04 | Monteringsskena | Mounting slide | Montageschiene | L=280 | | |
| 17 | 1 1 1 | ST1 07 59-00 | Interface relä | Interface relay | Interface-Relais | 1). 24VUC | | |
| 18 | 1 1 1 | ST1 06 67-00 | Tidrelä | Time relay | Zeitrelais | 1). 2). 1CO 24V | | |
| 19 | 1 1 1 | ST1 06 68-00 | Kontaktor 15K6 | Contactactor 15K6 | Kontaktor 15K6 | 1).2). 4kW, 24VAC | | |
| 20 | 1 1 1 | 552 22 55-00 | Ändplatta | End plte | Endplatte | 1). 2). 4). 2,5-70 | | |
| 21 | 2 2 2 | 552 22 51-02 | Kopplingsplint Blå 4 | Block terminal Blue 4 | Klemmenbrett Blau 4 | | | |
| 22 | 1 1 1 | ST1 07 56-00 | Plint N | Block N | Klemme N | | | |
| 23 | 2 2 2 | ST1 07 57-00 | Plint PE | Block PE | Klemme PE | | | |
| 24 | 2 2 2 | 552 22 52-06 | Kopplingsplint G/G 35 | Block terminal Y/G 35 | Klemmenbrett G/G 35 | | | |
| 25 | 1 1 1 | 552 22 52-05 | Kopplingsplint G/G 16 | Block terminal Y/G 16 | Klemmenbrett G/G 16 | 6). | | |
| 26 | 1 1 1 | 552 22 51-06 | Kopplingsplint Blå 35 | Block terminal Blue 35 | Klemmenbrett Blau 35 | | | |
| 27 | 3 3 3 | 552 22 50-06 | Kopplingsplint Grå 35 | Block terminal Grey 35 | Klemmenbrett Grau 35 | | | |
| 28 | 1 1 1 | 475 93 46-23 | Monteringsskena | Mounting slide | Montageschiene | L=175 | | |
| 29 | 1 1 1 | 428 06 34-00 | Fäste | Attachment | Befestigung | | | |
| 30 | 1 1 1 | ST0 28 64-07 | Mutter | Nut | Mutter | 3). M50x1,5 | | |
| 31 | 2 2 2 | ST0 93 90-00 | Täckbricka | Cover plate | Deckplatte | | | |
| 32 | 1 1 1 | ST0 31 45-14 | Kabelförskruvning | Conduit entry | Verschraubung | M50x1,5 | | |
| 33 | 4 4 4 | ST0 28 64-03 | Mutter | Nut | Mutter | M20x1,5 | | |

- 1). Smart Promix
- 2). Smart Variomix
- 3). Smart
- 4). Kokgryta med tillval isvattenkylning
Boiling pans with option ice water cooling
Kochtöpfe mit ICE Option Eiswasser-Kühlung
- 5). Kokgryta med tillval dubbelmatad anslutning
Boiling pans with option dual electrical connection cable
Kochtöpfe mit doppelter elektrischer Verbindung

Fet stil = Ändring
Bold print = Change
Fettdruck = Änderung

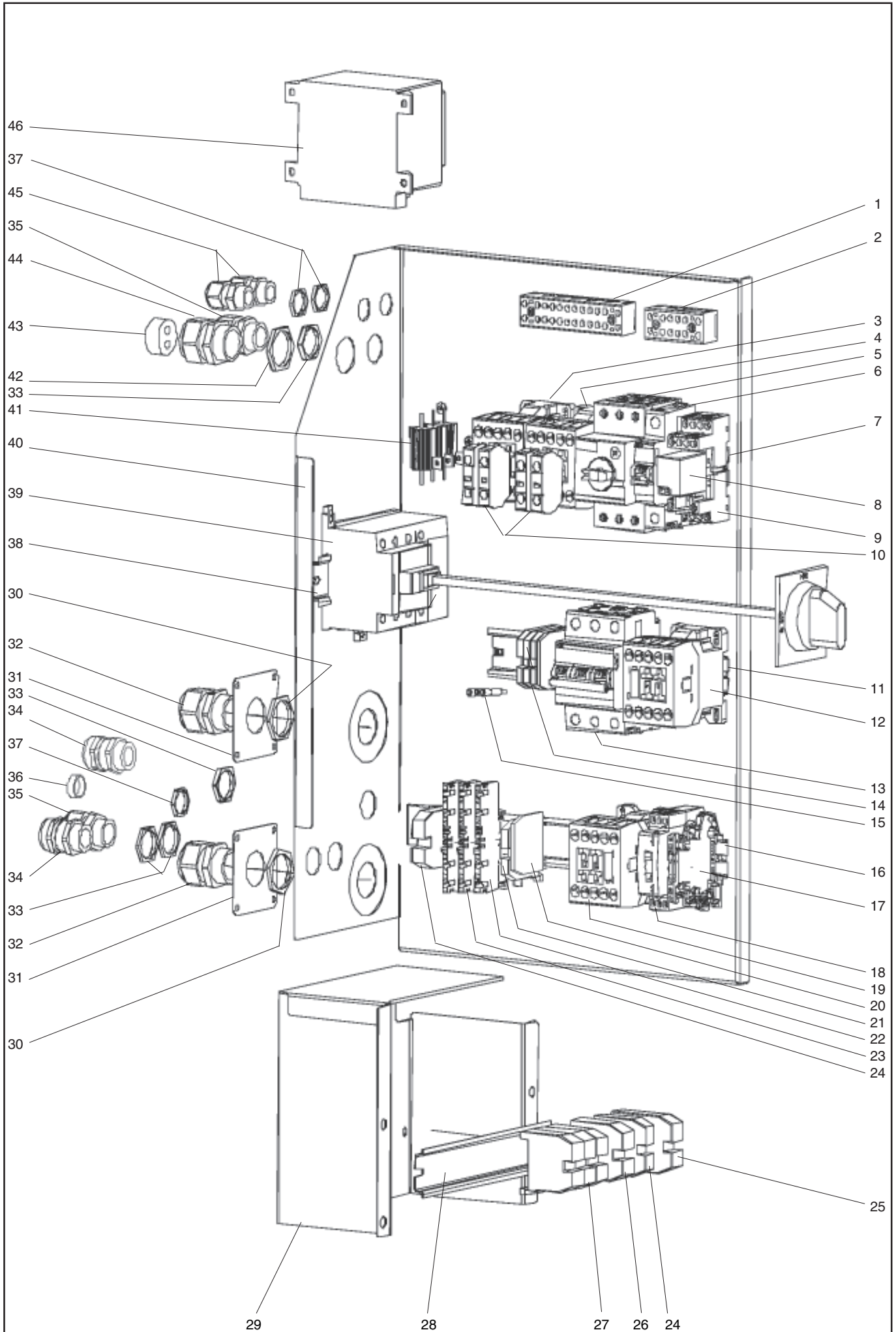


ILLUSTRATION 21806

| Ellåda,ånguppvärmd 150-300L Electric box, Steam heated150-300L Elektrischebüsche, Dampfbeheiz 150-300L | | | Illustration 21806 | | | Utgåva Edition Ausgabe 1 | Månad Month Monat 12 | År Year Jahr 2014 |
|--|-----------------------------|--|----------------------------------|------------------------------|-------------------------------------|-----------------------------------|-------------------------------|----------------------------|
| Pos. | Antal Quantity Anzahl | Art.nr Art. no Art. Nr | Benämning | Description | Bezeichnung | Anm. Notes Anm. | | |
| | [[[| 150 L 200 L 300 L | | | | | | |
| 34 | 2 2 2 | ST0 36 56-02 | Kabelförskruvning | Conduit entry | Verschraubung | 1).2). | M20x1,5 | |
| 35 | 2 2 2 | ST0 31 45-10 | Kabelförskruvning | Conduit entry | Verschraubung | 1). 2). | M20 | |
| 36 | 1 1 1 | ST0 32 90-02 | Blindpropp | Blind plug | Blindstopfen | 3). | M16x1,5 | |
| 37 | 3 3 3 | ST0 28 64-02 | Mutter | Nut | Mutter | | M16x1,5 | |
| 38 | 1 1 1 | 475 93 46-08 | Monteringsskena | Mounting slide | Montageschiene | 5). | L=110 | |
| 39 | 1 1 1 1 1 1 1 1 1 | ST1 06 74-00 ST1 06 74-61 ST1 06 74-50 | Allpolig brytare Axel Vred | Main switch Shaft Knob | Hauptschalter Achse Drehknopf | 2). 3). 5). | 4P. 64A | |
| 40 | 1 1 1 | ST0 99 90-00 | Ellåda | Electric box | Elektrischebüsche | | | |
| 41 | 3 3 3 | 428 02 03-00 | Effektmotstånd | Power resistance | Leistungswiderstand | | 25kW | |
| 42 | 1 1 1 | ST0 28 64-04 | Mutter | Nut | Mutter | 3). | M25x1,5 | |
| 43 | 1 1 1 | ST0 93 54-10 | Tätning | Seal | Dichtung | 1). 2). | M25x1,5 | |
| 44 | 1 1 1 | ST0 31 45-11 | Kabelförskruvning | Conduit entry | Verschraubung | 1). 2). 4). | M25x1,5 | |
| 45 | 1 1 1 | ST0 31 45-09 | Kabelförskruvning | Conduit entry | Verschraubung | | M16x1,5 | |
| 46 | 1 1 1 | ST0 99 56-00 | Transformator | Transformer | Transformator | 7). | 230-24V/10V AC | |

- 1). Smart Promix
- 2). Smart Variomix
- 3). Smart
- 4). Kokgryta med tillval isvattenkylning
Boiling pans with option ice water cooling
Kochtöpfe mit ICE Option Eiswasser-Kühlung
- 5). Kokgryta med tillval dubbelmatad anslutning
Boiling pans with option dual electrical connection cable
Kochtöpfe mit doppelter elektrischer Verbindung

Fet stil = Ändring
Bold print = Change
Fettdruck = Änderung

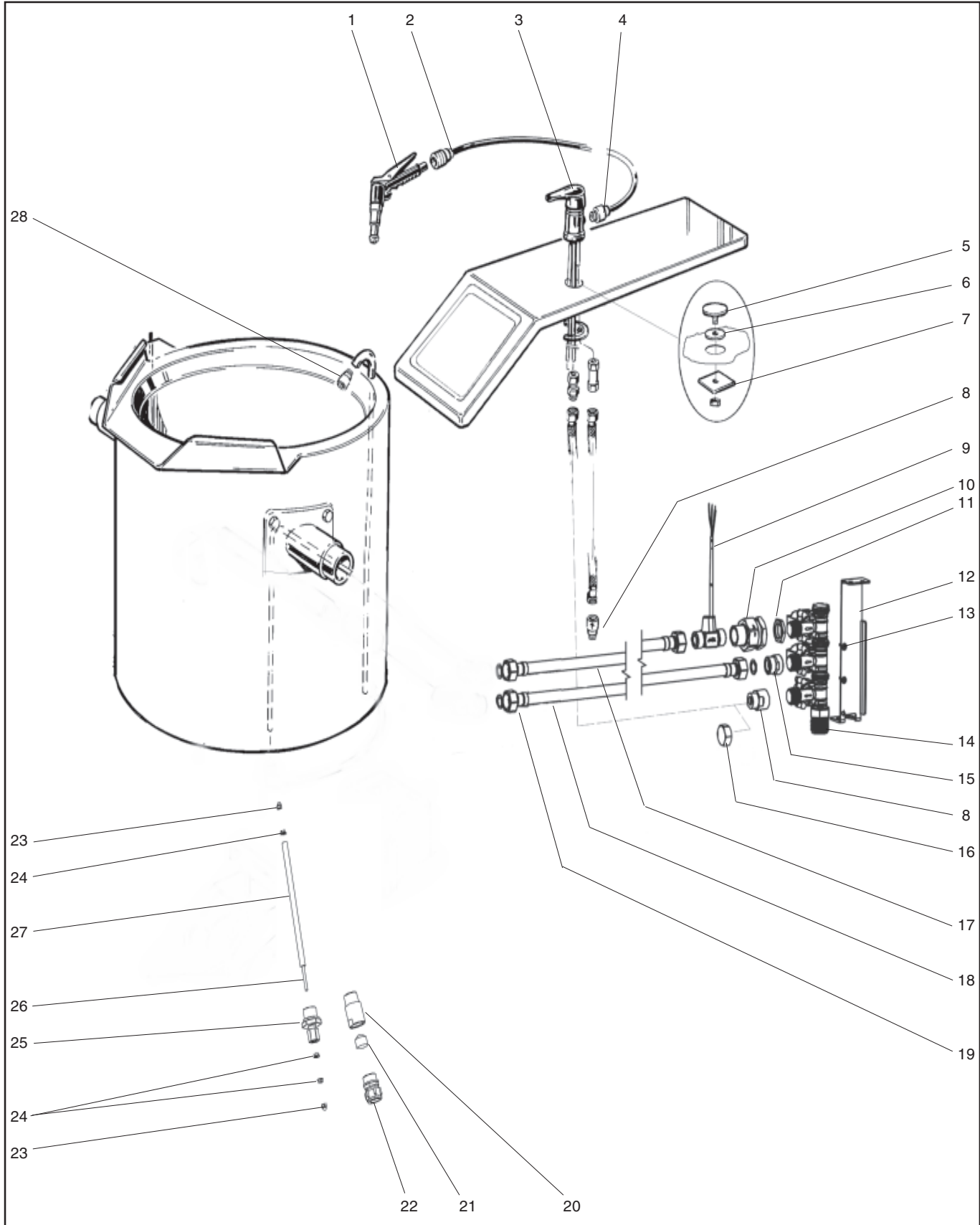


ILLUSTRATION 21807

| Vattenanslutning Water connection Wasseranschluss | | | Illustration 21807 | | | Utgåva Edition Ausgabe 1 | Månad Month Monat 12 | År Year Jahr 2014 |
|---|-------------------------------------|--|---|--|---|-----------------------------------|-------------------------------|----------------------------|
| Pos. | Antal Quantity Anzahl | Art.nr Art. no Art. Nr | Benämning | Description | Bezeichnung | Anm. Notes Anm. | | |
| | [[[[[| 50 L 100 L 150 L 200 L 300 L | | | | | | |
| 1 | 1 1 1 1 1 | 428 09 33-00 | Handdusch | Spray unit | Handdusch | 1). | | |
| 2 | 1 1 1 1 1 | 428 09 34-00 | Slang | Hose | Schlauch | 1). | | |
| 3 | 1 1 1 1 1 | 428 09 32-00 | Blandare | Tap | Wasserhahn | 1). | | |
| 4 | 1 1 1 1 1 | 428 09 32-90 | Utloppsnyppel | Outlet nipple | Anslusnyppel | 3/8"-M12x1 | | |
| 5 | 1 1 1 1 1 | 482 46 76-00 | Täckbricka | Cover plate | Deckelplatte | 2). | | |
| 6 | 1 1 1 1 1 | 482 46 77-00 | Packning | Gasket | Dichtung | 2). | | |
| 7 | 1 1 1 1 1 | 482 46 78-00 | Bricka | Washer | Scheibe | 2). | | |
| 8 | 2 2 2 2 2 | 428 14 71-00 | Backventil | Non return valve | Rückschlagventil | 3). | | |
| 9 | 1 1 1 1 1 | ST0 98 29-00 | Flödesmätare | Flow meter | Flussmesser | 1/2" | 495p/l | |
| 10 | 1 1 1 1 1 | ST0 94 72-00 | Koppling | Coupling | Kupplung | | | |
| 11 | 1 1 1 1 1 | 741 11 13-24 | Rörmutter | Pipe nut | Rohrmutter | 1/2" | | |
| 12 | 1 1 1 1 1 | ST0 94 73-00 | Fäste | Attachment | Befestigung | | | |
| 13 | 2 2 2 2 2 | 552 30 00-04 | Skruv | Screw | Schrauben | PT-SKX 40x12 | | |
| 14 | 1 1 1 1 1 | ST0 94 70-00 | Vattenstam | Water Strain | Wasser Stamm | | | |
| 15 | 1 1 - - - - - 1 - - - - - 1 1 | ST0 94 71-01 ST0 94 71-02 ST0 94 71-03 | Strykning, Vit Strykning, Orange Strykning, Grå | Reducer, white Reducer, Orange Reducer, Grey | Drosselung, Weiss Drosselung, Orange Drosselung, Grau | 50-100L 150L 200-300L | | |
| 16 | 2 2 2 2 2 | 741 61 13-24 | Lock | Coupling | Kupplung | 1/2" | | |
| 17 | 1 1 - - - - - 1 1 1 | ST1 03 49-00 ST1 03 48-00 | Slang Slang | Hose Hose | Schlauch Schlauch | 3). | 1/2"-1/2" | |
| 18 | 1 1 1 1 1 | ST1 03 49-00 | Slang | Hose | Schlauch | 3). | 1/2"-1/2" | |
| 19 | 1 1 1 1 1 | ST0 99 97-00 | Planpackning | Gasket | Dichtung | 3). | 1/2" | |
| 20 | 1 1 1 1 1 | ST1 03 47-00 | Nippel | Nipple | Nippel | 3). | 1/2"-1/2" | |
| 21 | 1 1 1 1 1 | 428 10 29-00 | Backventil | Non return valve | Rückschlagventil | 3). | | |
| 22 | 1 1 1 1 1 | 743 46 35-05 | Koppling | Coupling | Kupplung | 3). | | |

| | | | |
|-----------------------------|----------------------------|---------------------|----------------------|
| Fet stil = Ändring | 1). Med Handdusch | With Spray unit | Mit Handdusch |
| Bold print = Change | 2). Utan Handdusch | Without Spray unit | Ohne Handdusch |
| Fettdruck = Änderung | 3). Tillval mantelkyllning | Option Auto.cooling | Option Mantelkühlung |
| | 4). Smart Variomix | | |
| | 5). Smart Promix | | |

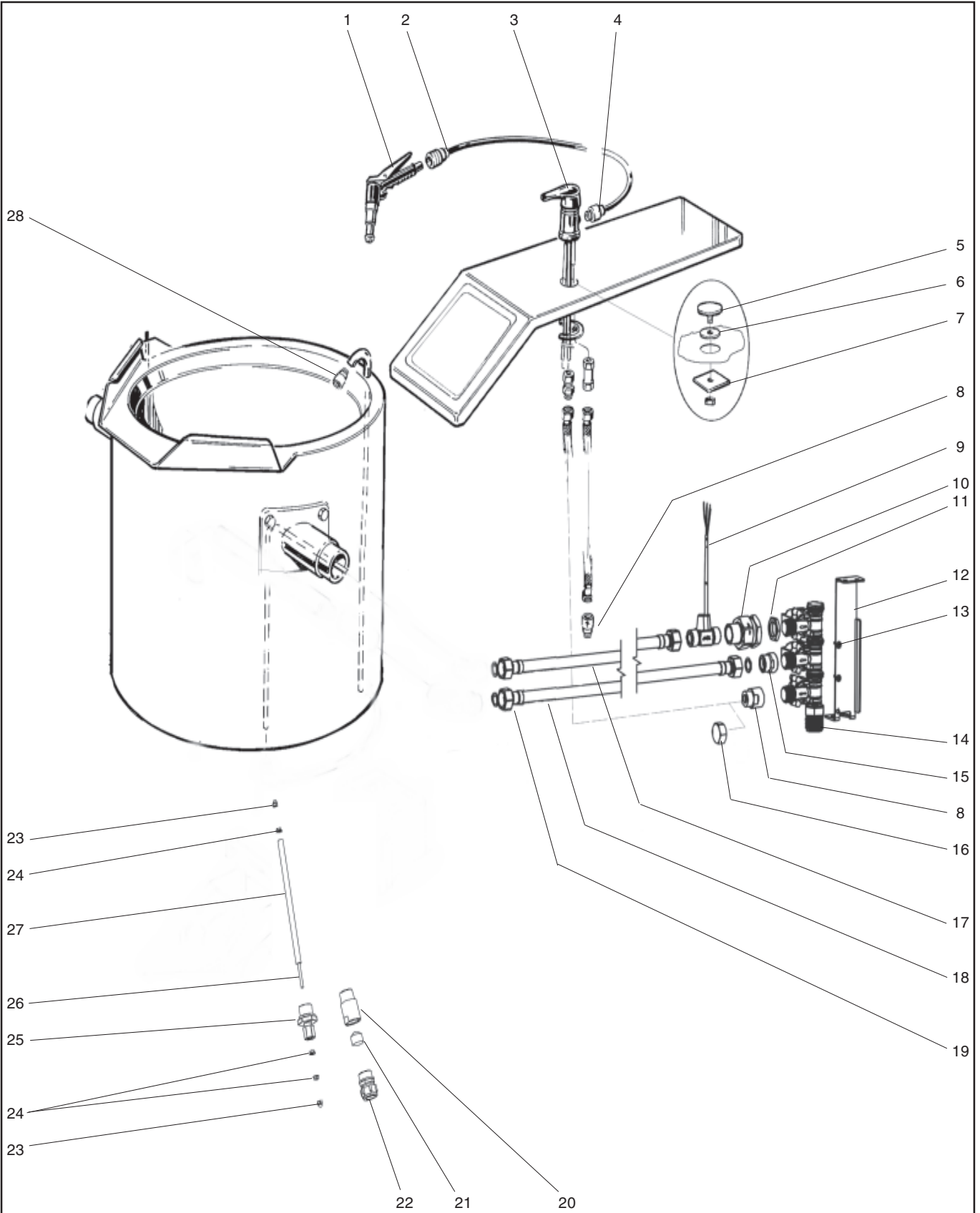


ILLUSTRATION 21807

| Vattenanslutning Water connection Wasseranschluss | | | Illustration 21807 | | | Utgåva Edition Ausgabe 1 | Månad Month Monat 12 | År Year Jahr 2014 |
|---|---|--|---------------------------|----------------------|-----------------------|-----------------------------------|-------------------------------|----------------------------|
| Pos. | Antal Quantity Anzahl | Art.nr Art. no Art. Nr | Benämning | Description | Bezeichnung | Anm. Notes Anm. | | |
| | [[[[[| 50 L 100 L 150 L 200 L 300 L | | | | | | |
| 23 | 2 2 2 2 2 | ST1 02 11-00 | Kapselmutter | End cap | Abschlusskappe | 3). | | M4 |
| 24 | 3 3 3 3 3 | 552 21 21-01 | Flänsmutter | Flange nut | Flanschmutter | 3). | | M4 |
| 25 | 1 1 1 1 1 | ST0 94 69-00 | Koppling | Coupling | Kupplung | | | |
| 26 | 1 - - - - - 1 - - - - - 1 - - - - - 1 - - - - - 1 | ST0 94 78-01 ST0 94 78-02 ST0 94 78-03 ST0 94 78-04 ST0 94 78-05 | Nivåelektrod | level electrode | Stand Elektrode | 3). 4). | | |
| 27 | x x x x x | ST0 94 79-00 | Silikongummislang | Silicone rubber hose | Silikon-Gummischlauch | 4). 5). | | 0,3m |
| 28 | 1 1 1 1 1 | 428 13 74-00 | Backventil | Non return valve | Rückschlagventil | | | |

Fet stil = Ändring
Bold print = Change
Fettdruck = Änderung

- 1). Med Handdusch
- 2). Utan Handdusch
- 3). Tillval mantelkyllning
- 4). Smart Variomix
- 5). Smart Promix

With Spray unit
Without Spray unit
Option Auto.cooling

Mit Handdusch
Ohne Handdusch
Option Mantelkühlung

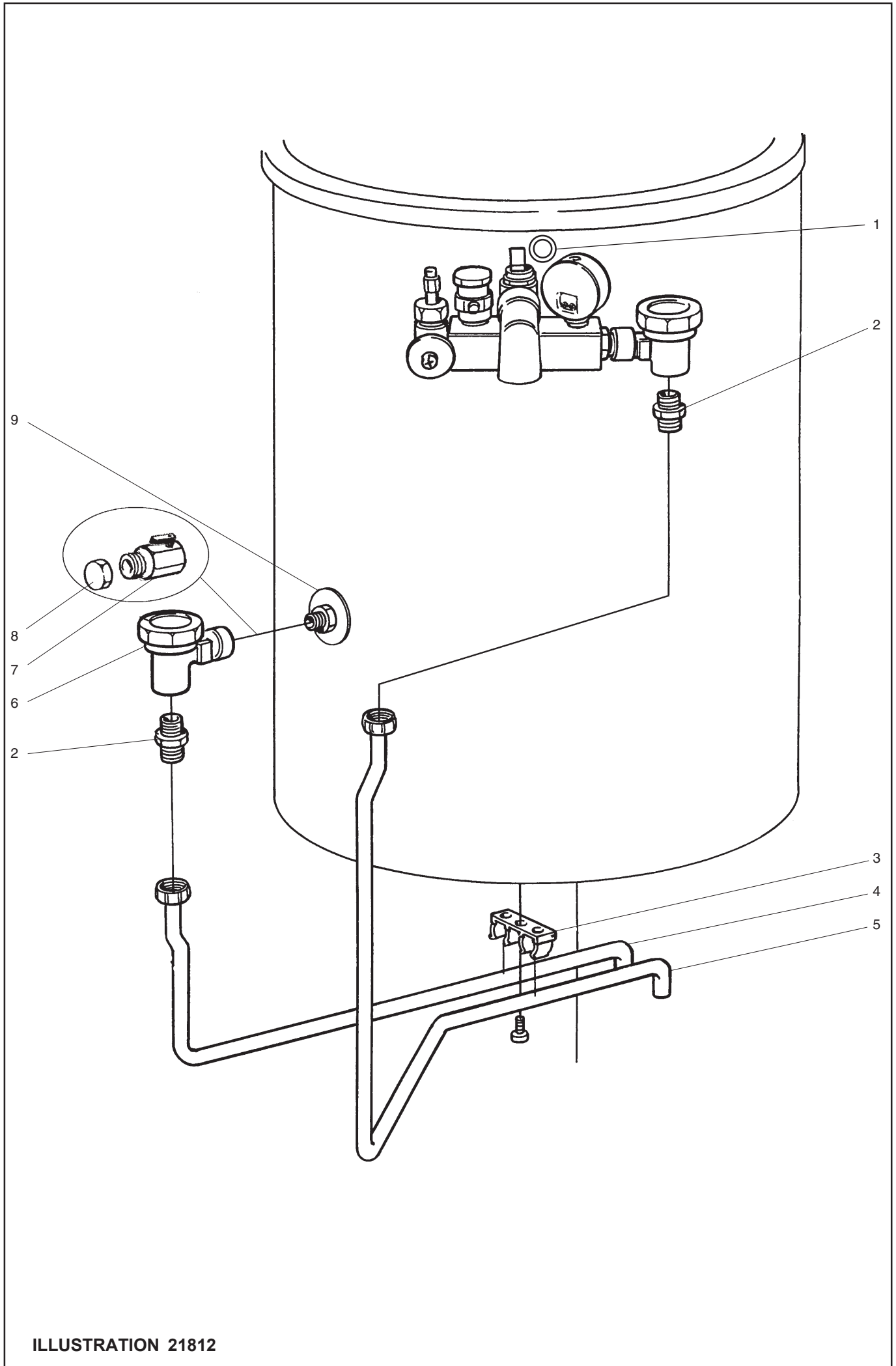


ILLUSTRATION 21812

| Mantelkyllning Sleeve Mantelkühlung | | | Illustration 21812 | | | Utgåva Edition Ausgabe 1 | Månad Month Monat 04 | År Year Jahr 2015 |
|---|---|--|---------------------------------|--------------------------------------|--------------------------------------|-----------------------------------|-------------------------------|---------------------------------|
| Pos. | Antal Quantity Anzahl | Art.nr Art. no Art. Nr | Benämning | Description | Bezeichnung | Anm. Notes Anm. | | |
| | [[[[[| 50 L 100 L 150 L 200 L 300 L | | | | | | |
| 1 | 1 1 1 1 1 | ST1 0812-01 | Packning | Gasket | Dichtung | | | |
| 2 | 2 2 2 2 2 | 743 46 35-07 | R-koppling | Coupling | Kupplung | | | 1). |
| 3 | 1 1 1 1 1 | 428 02 36-36 | Dubbel rörhållare | Double pipe holder | Doppel rohrhalterung | | | 1). |
| 4 | 1 - - - - - 1 - - - - - 1 - - - - - 1 - - - - - 1 | 428 13 39-00 428 13 41-00 428 13 43-00 428 13 45-00 428 13 47-00 | Rör Rör Rör Rör Rör | Pipe Pipe Pipe Pipe Pipe | Rohr Rohr Rohr Rohr Rohr | | | 1). 1). 1). 1). 1). |
| 5 | 1 - - - - - 1 - - - - - 1 - - - - 1 - - - - - - 1 | ST1 07 05-00 ST1 07 05-01 ST1 07 05-02 ST1 07 05-03 ST1 07 05-04 | Rör Rör Rör Rör Rör | Pipe Pipe Pipe Pipe Pipe | Rohr Rohr Rohr Rohr Rohr | | | 1). 1). 1). 1). 1). |
| 6 | 1 1 1 1 1 | 428 15 12-00 | Avluftare | Dearator | Entlüftungshahn | | | 1). |
| 7 | 1 1 1 1 1 | 475 72 85-02 | Kulventil | Ball valve | Kugelventil | | | 2. 3). 4). |
| 8 | 1 1 1 1 1 | 741 61 13-24 | Huv | Cover | Haube | | | 2. 3). 4). |
| 9 | 1 1 1 1 1 | ST1 0812-00 | Packning | Gasket | Dichtung | | | |

- 1). Tillval mantelkyllning &/auto. vattenpåfyllning,
Option Auto.cooling &/Auto.water filling,
Option Mantelkühlung&/Auto. Vollschargen
- 2). Smart Variomix
- 3). Smart Promix
- 4). Smart

Fet stil = Ändring
Bold print = Change
Fettdruck = Änderung

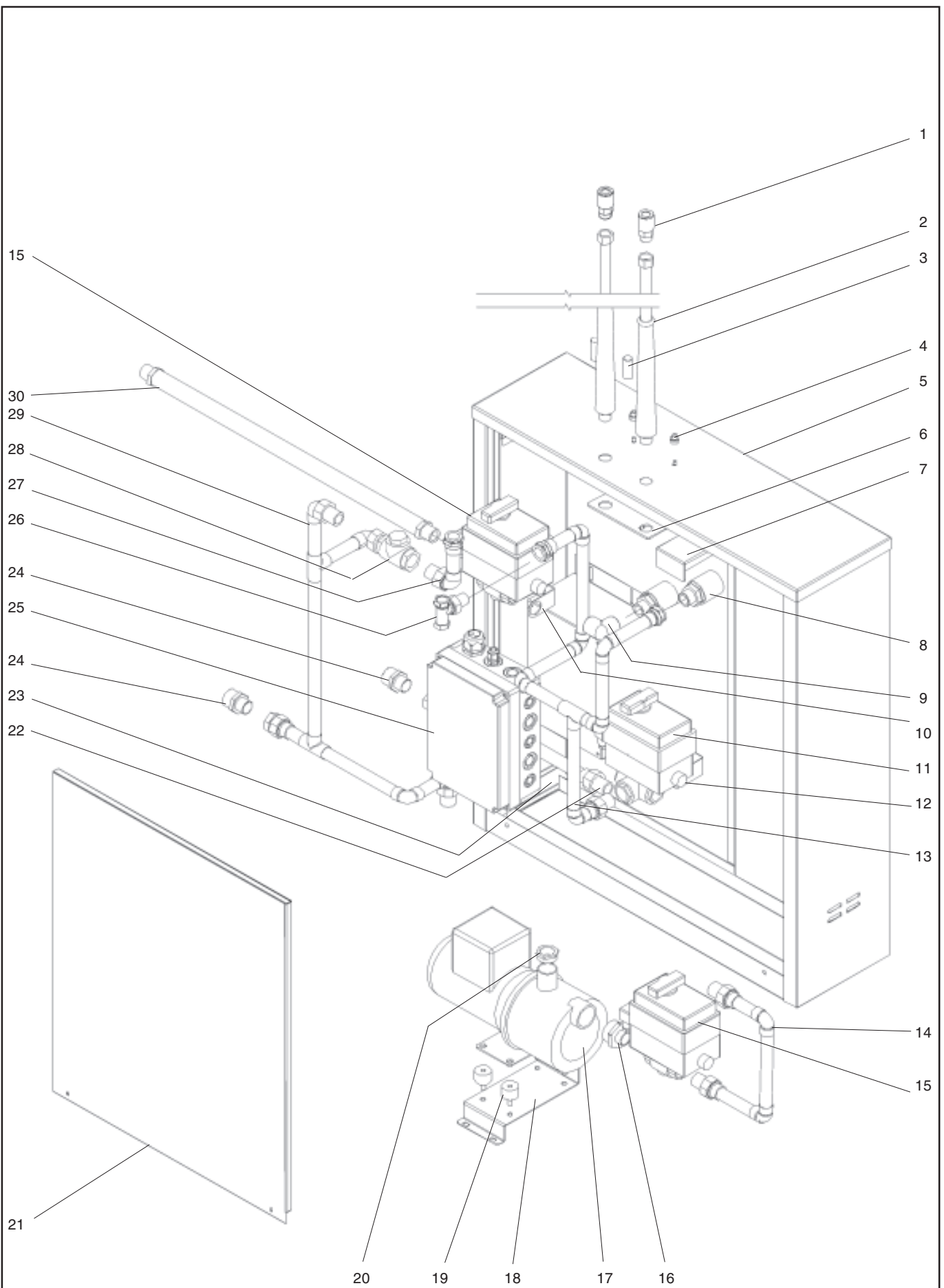


ILLUSTRATION 21808

| Vänsterpelare eluppvärmd, med isvattenkyllning Left column electrical heated, with ice water cooling Säule links El.beheizung, mit Eiswasserkühlung | | | | Illustration 21808 | | Utgåva Edition Ausgabe 1 | Månad Month Monat 12 | År Year Jahr 2014 |
|---|-----------------------------|------------------------------|------------------------------|------------------------|------------------------|-----------------------------------|-------------------------------|----------------------------|
| Pos. | Antal Quantity Anzahl | Art.nr Art. no Art. Nr | Benämning | Description | Bezeichnung | Anm. Notes Anm. | | |
| | [| 50 L | | | | | | |
| | [| 100 L | | | | | | |
| | [| 150 L | | | | | | |
| | [| 200 L | | | | | | |
| | [| 300 L | | | | | | |
| 1 | 2 2 2 2 2 | ST0 98 18-00 | Snabbkoppling | Bayonet coupling | Bajonettverschluss | 1). | 1/2" | |
| 2 | 2 2 2 2 2 | ST0 62 54-00 | Slang | Hose | Schlauch | 1). | 1/2" | |
| 3 | 2 2 2 2 2 | ST0 98 38-00 | Fäste | Attachment | Befestigung | 1). | | |
| 4 | 2 2 2 2 2 | ST0 98 21-00 | Fäste | Attachment | Befestigung | 1). | | |
| 5 | 1 1 1 1 1 | ST1 03 21-00 | Vänster pelare | Left column | Links Säule | 1). | | |
| 6 | 1 1 1 1 1 | ST0 98 44-00 | Förstärkningsplåt | Reinforcement plate | Verstärkungsblech | 1). | | |
| 7 | 1 1 1 1 1 | ST0 68 98-00 | FästeVänster | Left Attachment | Links Befestigung | | | |
| 8 | 2 2 2 2 2 | ST0 62 32-01 | Svivel | Swivel | Drehbolzen | | 3/4" | |
| 9 | 1 1 1 1 1 | 742 11 15-20 | Vinkel | Coupling | Kupplung | | 3/4" | |
| 10 | 1 1 1 1 1 | ST2 31 21-09 | Fäste 2-väggs ventil | Attachment | Befestigung | | | |
| 11 | 1 1 1 1 1 | ST0 62 30-01 | Kulventil, 3-väggs | Ball valve, 3-way | Kugelventil, 3-Wege- | | 3/4" | |
| 12 | 1 1 1 1 1 | ST0 62 37-00 | Fäste 3-väggs ventil | Attachment | Befestigung | | | |
| 13 | 1 1 1 1 1 1 1 1 1 1 | ST1 03 24-00 ST1 03 25-00 | Rör kpl. Rör kpl. | Pipe cpl. Pipe cpl. | Rohr kpl. Rohr kpl. | 1). | | |
| 14 | 1 1 1 1 1 | ST0 62 42-00 | Rör | Pipe | Rohr | | | |
| 15 | 2 2 2 2 2 | ST0 62 31-00 | Kulventil, 2-väggs | Ball valve, 2-way | Kugelventil, 2-Wege- | | 3/4" | |
| 16 | 1 1 1 1 1 | 741 38 25-24 | Nippel | Nipple | Nippel | | 1 1/4"-3/4" | |
| 17 | 1 1 1 1 1 | ST0 62 33-01 | Pump | Pump | Pumpe | | 230V | |
| 18 | 1 1 1 1 1 | ST0 62 35-00 | Pumpkonsol | Pump bucket | Pumpenkonsole | | | |
| 19 | 4 4 4 4 4 | ST0 45 21-00 | Dämpare | Vibration absorber | Vibrationsdämpfer | D=30, H=20, M8 | | |
| 20 | 1 1 1 1 1 | 741 41 26-20 | Bussning | Busch | Buchse | | 1"-3/4" | |
| 21 | 1 1 1 1 1 | ST1 03 33-00 | Sida, Vänster | Side, Left | Seiten, Links | | | |
| 22 | 1 1 1 1 1 | ST0 97 28-00 | Rör | Pipe | Rohr | | | |
| 23 | 1 1 1 1 1 | ST1 03 32-00 | Distansbygel | Spacer Bracket | Distanzhalterung | | | |
| 24 | 2 2 2 2 2 | ST0 62 36-00 | Förminskningsnippel | Reduction nipple | Reduziernippel | | 1"-3/4" | |
| 25 | 1 1 1 1 1 | ST0 97 25-02 | Ellåda | Electric cabinet | Elektr. Schrank | | | |
| 26 | 1 1 1 1 1 | 460 81 61-02 | Radiatorkoppling | Radiator filler neck | Radiatoranschluss | 1). | 1/2" | |
| 27 | 1 1 1 1 1 | ST0 92 14-00 | Rör | Pipe | Rohr | 1). | | |
| 28 | 1 1 1 1 1 | 428 15 79-00 | Backventil | Non return valve | Rückschlagventil | 1). | 3/4" | |
| 29 | 1 1 1 1 1 1 1 1 1 1 | ST1 03 29-00 ST1 03 17-00 | Rör utgående Rör utgående | Pipe Pipe | Rohr Rohr | 1). | | |
| 30 | 1 1 1 1 1 | ST0 62 53-00 | Slang | Hose | Schlauch | | 3/4" | |

Fet stil = Ändring

Bold print = Change

Fettdruck = Änderung

1). Kylmöraren

Cooling tool

Kältewerkzeug

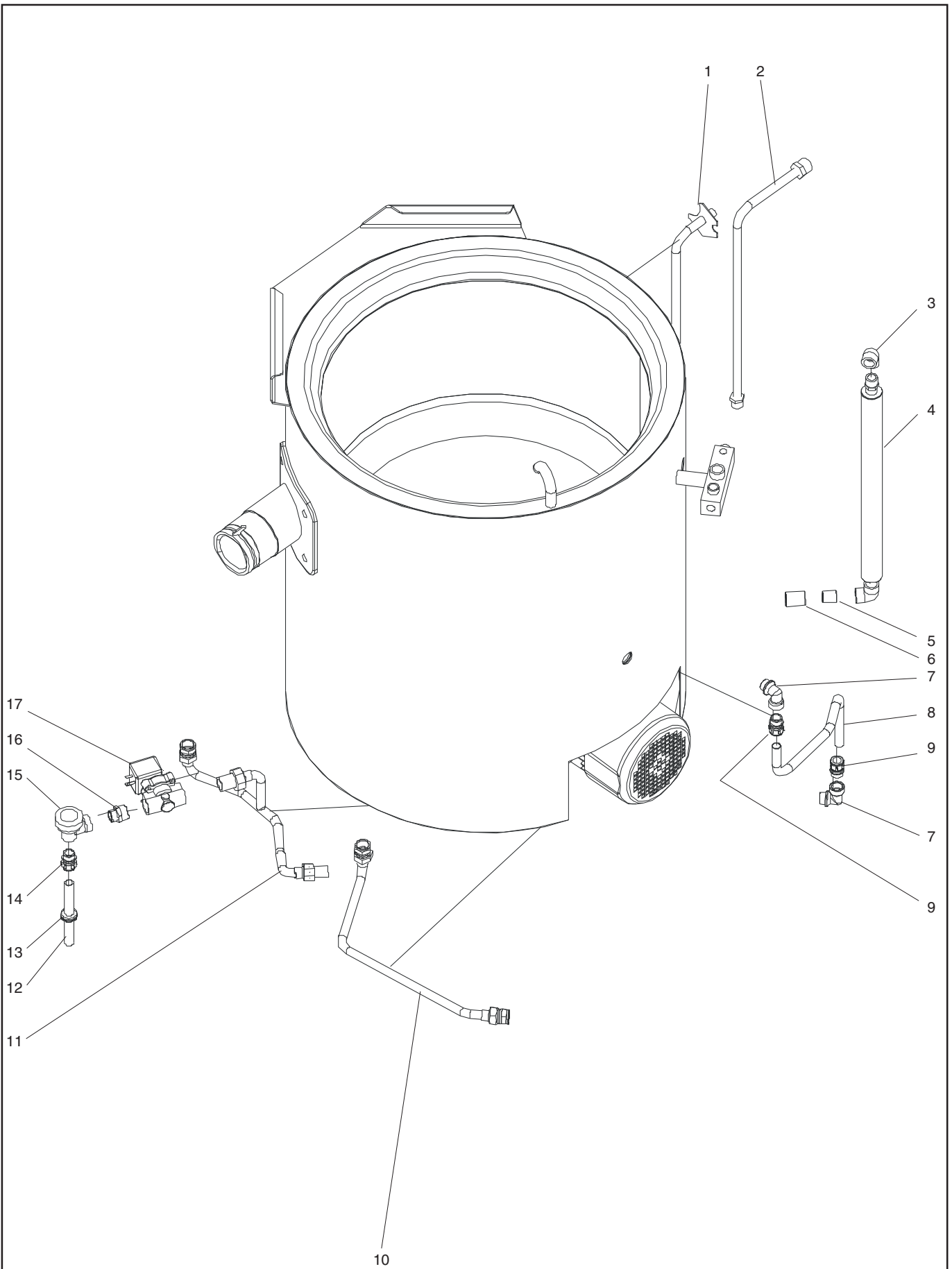


ILLUSTRATION 21809

| Kärl, eluppvärmd, med isvattenkyllning Vessel, electrical heated, with ice water cooling Kessel, El.beheizung, mit Eiswasserkühlung | | | | Illustration 21809 | | Utgåva Edition Ausgabe 1 | Månad Month Monat 12 | År Year Jahr 2014 |
|---|---|--|---|--|--|-----------------------------------|-------------------------------|----------------------------|
| Pos. | Antal Quantity Anzahl | Art.nr Art. no Art. Nr | Benämning | Description | Bezeichnung | Anm. Notes Anm. | | |
| | [[[[[| 50 L 100 L 150 L 200 L 300 L | | | | | | |
| 1 | 1 - - - - - 1 - - - - - 1 - - - - - 1 - - - - - 1 | ST1 06 07-00 ST1 06 07-01 ST1 06 07-02 ST1 06 07-03 ST1 06 07-04 | Rör Rör Rör Rör Rör | Pipe Pipe Pipe Pipe Pipe | Rohr Rohr Rohr Rohr Rohr | | | |
| 2 | 1 - - - - - 1 - - - - - 1 - - - - - 1 - - - - - 1 | ST1 06 07-05 ST1 06 07-06 ST1 06 07-07 ST1 06 07-08 ST1 06 07-09 | Rör Rör Rör Rör Rör | Pipe Pipe Pipe Pipe Pipe | Rohr Rohr Rohr Rohr Rohr | | | |
| 3 | 1 1 1 1 1 | 742 11 13-32 | Vinkelkoppling | Coupling | Kupplung | | | 1/2" |
| 4 | 1 1 1 1 1 | ST2 33 10-00 | Avluftningsrör | Vent tube | Entlüftungsrohr | | | |
| 5 | 1 1 1 1 1 | 741 31 13-20 | Nippel | Nipple | Nippel | | | 1/2" |
| 6 | 1 1 1 1 1 | 741 21 13-32 | Muff | Sleeve | Stutzen | | | 1/2" |
| 7 | 2 2 2 2 2 | 742 11 13-25 | Vinkelkoppling | Coupling | Kupplung | | | 1/2" |
| 8 | 1 - - - - - 1 - - - - - 1 - - - - - 1 - - - - - 1 | ST0 97 45-00 ST0 97 45-01 ST0 97 45-02 ST0 97 45-03 ST0 97 45-04 | Nivårör Nivårör Nivårör Nivårör Nivårör | Level tube Level tube Level tube Level tube Level tube | Niveauröhr Niveauröhr Niveauröhr Niveauröhr Niveauröhr | | | |
| 9 | 2 2 2 2 2 | 743 46 35-07 | Koppling, Rak | Coupling | Kupplung | | | 1/2"-15 |
| 10 | 1 - - - - - 1 - - - - - 1 - - - - - 1 - - - - - 1 | ST1 06 10-00 ST1 06 10-01 ST1 06 10-02 ST1 06 10-03 ST1 06 10-04 | Rör Rör Rör Rör Rör | Pipe Pipe Pipe Pipe Pipe | Rohr Rohr Rohr Rohr Rohr | | | |
| 11 | 1 - - - - - 1 - - - - - 1 - - - - - 1 - - - - - 1 | ST1 06 09-00 ST1 06 09-01 ST1 06 09-02 ST1 06 09-03 ST1 06 09-04 | Rör Rör Rör Rör Rör | Pipe Pipe Pipe Pipe Pipe | Rohr Rohr Rohr Rohr Rohr | | | |
| 12 | 1 1 1 1 1 | ST8 00 17-00 | Rör | Pipe | Rohr | | | |
| 13 | 1 1 1 1 1 | 742 12 32-00 | Genomföring | Inlet | Durchführung | | | D=15 |
| 14 | 1 1 1 1 1 | 743 46 35-05 | Koppling, Rak | Coupling | Kupplung | | | 1/2"-15 |
| 15 | 1 1 1 1 1 | 428 15 12-00 | Avluftare | Dearator | Entlüftungshahn | | | |
| 16 | 1 1 1 1 1 | 741 38 14-24 | Nippel | Nipple | Nippel | | | 3/4"-1/2" |
| 17 | 1 1 1 1 1 | 428 09 02-01 | Magnetventil | Solenoid valve | Magnetventil | 24V | | 3/4" |

Fet stil = Ändring
Bold print = Change
Fettdruck = Änderung

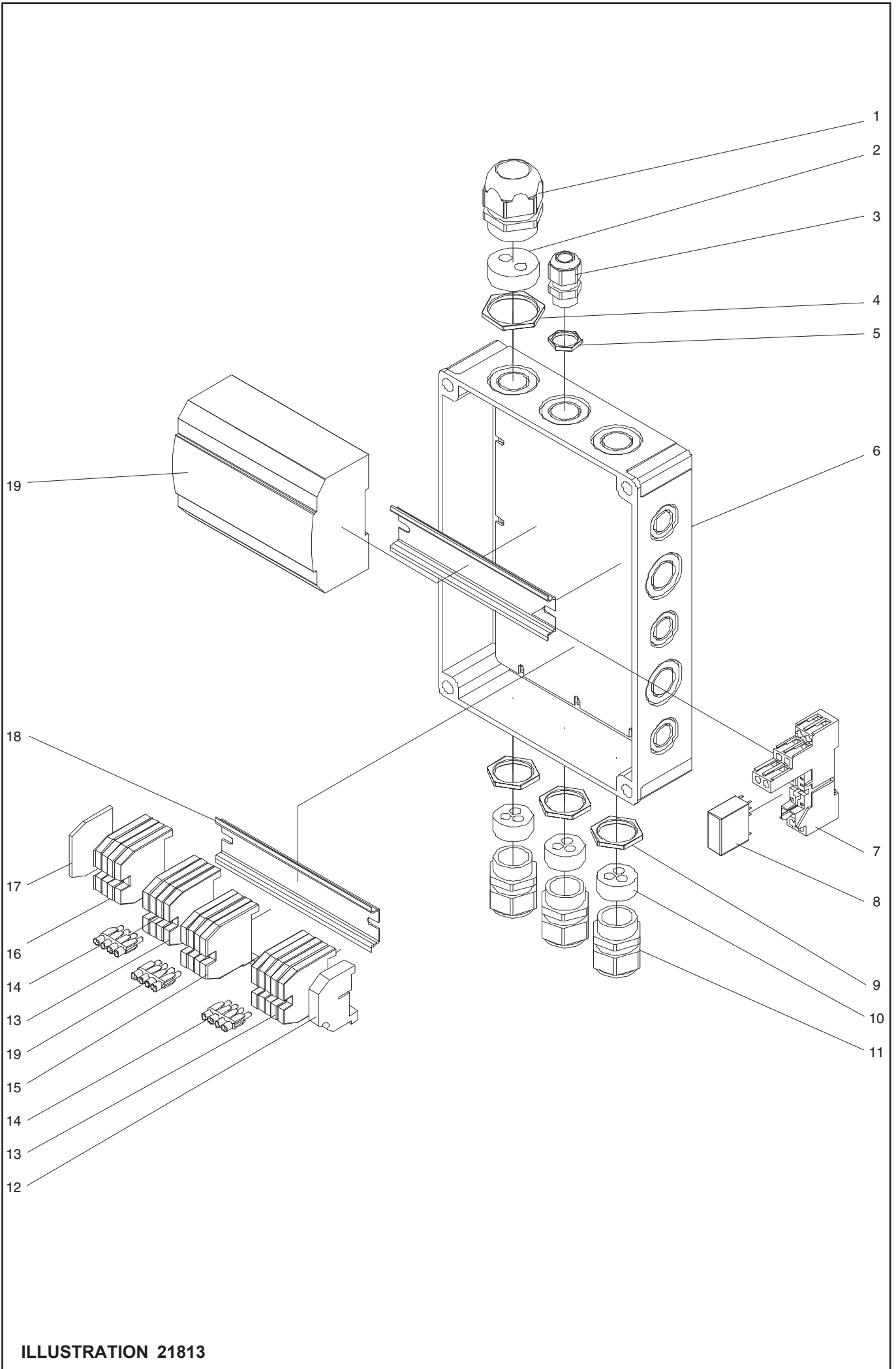


ILLUSTRATION 21813

| Eilåda, eluppvärmd, med isvattenkyllning Electric box, electrical heated, with ice water cooling Eletrischebüsche, El. beheiz, mit Eiswasserkühlung | | | | Illustration 21813 | | Utgåva Edition Ausgabe 1 | Månad Month Monat 04 | År Year Jahr 2015 |
|---|-----------------------------|------------------------------|------------------------|---------------------------|---------------------|-----------------------------------|-------------------------------|----------------------------|
| Pos. | Antal Quantity Anzahl | Art.nr Art. no Art. Nr | Benämning | Description | Bezeichnung | Anm. Notes Anm. | | |
| | [| 50 L | | | | | | |
| | [| 100 L | | | | | | |
| | [| 150 L | | | | | | |
| | [| 200 L | | | | | | |
| | [| 300 L | | | | | | |
| 1 | 1 1 1 1 1 | ST0 31 45-12 | Kabelförskruvning | Conduit entry | Verschraubung | | | M32x2 |
| 2 | 1 1 1 1 1 | ST0 93 54-18 | Tätning | Seal | Dichtung | | | M32x2 |
| 3 | 1 1 1 1 1 | ST0 31 45-09 | Kabelförskruvning | Conduit entry | Verschraubung | | | M16x1,5 |
| 4 | 1 1 1 1 1 | ST0 28 64-05 | Mutter | Nut | Mutter | | | M32x1,5 |
| 5 | 1 1 1 1 1 | ST0 28 64-02 | Mutter | Nut | Mutter | | | M16x1,5 |
| 6 | 1 1 1 1 1 | ST0 37 38-00 | Kapslingslåda | Housing | Gehäuse | | | |
| 7 | 1 1 1 1 1 | ST0 93 87-10 | Socket | Mounting slide | Montagescheine | | | 2-pol. |
| 8 | 1 1 1 1 1 | ST0 93 86-10 | Relä | Relay | Relais | | | 2-pol |
| 9 | 3 3 3 3 3 | ST0 28 64-04 | Mutter | Nut | Mutter | | | M25x2 |
| 10 | 3 3 3 3 3 | ST0 93 54-13 | Tätning | Seal | Dichtung | | | M25x1,5 |
| 11 | 3 3 3 3 3 | ST0 31 45-11 | Kabelförskruvning | Conduit entry | Verschraubung | | | M25x1,5 |
| 12 | 1 1 1 1 1 | 552 22 55-00 | Ändstöd | End support | Stütze | | | 2,5-70 |
| 13 | 9 9 9 9 9 | 552 22 50-02 | Kopplingsplint Grå 4 | Block terminal gray 4 | Klemmenbrett Grau 4 | | | |
| 14 | 3 3 3 3 3 | 552 22 56-07 | Överkopplingsbrygga 4p | Bridge 4p | Überbrückung 4p | | | |
| 15 | 4 4 4 4 4 | 552 22 51-02 | Kopplingsplint Blå 4 | Block terminal Blue 4 | Klemmenbrett Blau 4 | | | |
| 16 | 4 4 4 4 4 | 552 22 52-02 | Kopplingsplint G/G 4 | Block terminal Y/G 4 | Klemmenbrett G/G 4 | | | |
| 17 | 1 1 1 1 1 | 552 22 54-00 | Ändplatta | End plte | Endplatte | | | 2,5-10 |
| 18 | 2 2 2 2 2 | 475 93 46-03 | Monteringsskena | Mounting slide | Montageschiene | | | L=142 |
| 19 | 1 1 1 1 1 | ST0 96 07-00 | PLC | PLC | PLC | | | 24VDC |

Fet stil = Ändring
Bold print = Change
Fettdruck = Änderung

| Fästelement GS12 Attachment element GS12 Befestigungsteile GS12 | | | | Utgåva Edition Ausgabe 1 | Månad Month Monat 06 | År Year Jahr 2012 |
|---|--|--|--|--|-------------------------------|----------------------------|
| Art.nr Art. no Art. Nr | Benämning | Description | Bezeichnung | Anm. Notes Anm. | | |
| 552 20 25-00 552 21 21-02 | Korgmutter Flänsmutter | Cage nut Flange nut | Korbmutter Flanskmutter | M5 M5 | | |
| 53 92 88-32 53 92 88-51 722 78 43-02 | Bricka Bricka Popnit | Washer Washer Blind rivet | Scheibe Scheibe Popniete | BRB 6,4x38 RFR BRB 8,5x38 RFR 4x10,3 | | |
| 732 31 14-40 732 31 16-40 | Kupolmutter Mutter | Dome nut Nut | Kappenmutter Mutter | MHM 5 RFR MHM 6 RFR | | |
| 736 28 28-51 736 28 43-90 736 28 55-90 | Slangklämma Slangklämma Slangklämma | Hose clamp Hose clip Hose clip | Schlauchklemme Schlauchschelle Schlauchschelle | Ø 38 Ø 75 Ø 138 | | |
| 478 56 64-03 725 53 29-40 | Skruv Skruv | Screw Screw | Schraube Schraube | LKCS 5x10 RFR MC6S 5x16 RFR | | |
| 725 54 51-40 728 83 21-09 728 84 47-09 | Skruv Skruv Skruv | Screw Screw Screw | Schraube Schraube Schraube | MC6S 8x20 RFR SK6SS 5x6 RFR SK6SS 8x12 RFR | | |
| 734 11 24-09 734 11 36-09 734 48 84-40 734 11 46-09 | Bricka Bricka Bricka Bricka | Washer Washer Washer Washer | Scheibe Scheibe Scheibe Scheibe | BRB 3,2x7 RFR BRB 4,3x9 RFR BRB 5,2x15 RFR BRB 5,3x10 RFR | | |
| 734 49 17-40 734 11 64-09 734 11 73-09 | Bricka Bricka Bricka | Washer Washer Washer | Scheibe Scheibe Scheibe | BRB 6,5x16 RFR BRB 8,4x25 RFR BRB 10,5x21 RFR | | |
| 734 11 78-09 724 12 28-40 | Bricka Skruv | Washer Screw | Scheibe Schraube | BRB 13x24 RFR MRX 3x16 RFR | | |
| 724 12 89-40 724 12 92-40 724 13 23-40 | Skruv Skruv Skruv | Screw Screw Screw | Schraube Schraube Schraube | MRX 4x10 RFR MRX 4x14 RFR MRX 5x8 RFR | | |
| 724 13 31-40 725 23 27-40 725 23 31-40 | Skruv Skruv Skruv | Screw Screw Screw | Schraube Schraube Schraube | MRX 5x20 RFR M6S 5x12 RFR M6S 5x20 RFR | | |
| 725 23 66-40 725 23 70-40 725 23 78-40 | Skruv Skruv Skruv | Screw Screw Screw | Schraube Schraube Schraube | M6S 6x12 RFR M6S 6x20 RFR M6S 6x40 RFR | | |
| 725 24 49-40 725 24 53-40 725 24 69-40 | Skruv Skruv Skruv | Screw Screw Screw | Schraube Schraube Schraube | M6S 8x16 RFR M6S 8x25 RFR M6S 8x90 RFR | | |
| 725 24 95-40 725 25 11-40 | Skruv Skruv | Screw Screw | Schraube Schraube | M6S 10x30 RFR M6S 10x100 RFR | | |
| 731 23 10-40 731 23 12-40 731 23 16-40 | Mutter Mutter Mutter | Nut Nut Nut | Mutter Mutter Mutter | M6M 3 RFR M6M 4 RFR M6M 6 RFR | | |
| 731 23 18-40 | Mutter | Nut | Mutter | M6M 8 RFR | | |
| 731 23 20-40 | Mutter | Nut | Mutter | M6M 10 RFR | | |
| 735 11 36-40 735 11 46-40 735 11 53-40 | Fjäderbricka Fjäderbricka Fjäderbricka | Elastic washer Elastic washer Elastic washer | Federscheibe Federscheibe Federscheibe | FBB 4,1 RFR FBB 5,1 RFR FBB 6,1 RFR | | |
| 735 11 64-40 735 11 73-40 | Fjäderbricka Fjäderbricka | Elastic washer Elastic washer | Federscheibe Federscheibe | FBB 8,2 RFR FBB 10,2 RFR | | |

Fet stil = Ändring

Bold print = Change

Fettdruck = Änderung

| Fästelement GS12 Attachment element GS12 Befestigungsteile GS12 | | | | Utgåva Edition Ausgabe 1 | Månad Month Monat 06 | År Year Jahr 2012 |
|---|---------------|---------------|---------------|-----------------------------------|-------------------------------|----------------------------|
| Art.nr Art. no Art. Nr | Benämning | Description | Bezeichnung | Anm. Notes Anm. | | |
| 724 32 87-40 | Skruv | Screw | Schraube | MFX 4x8 RFR | | |
| 724 32 93-40 | Skruv | Screw | Schraube | MFX 4x16 RFR | | |
| 724 33 31-40 | Skruv | Screw | Schraube | MFX 5x12 RFR | | |
| 724 33 35-40 | Skruv | Screw | Schraube | MFX 5x30 RFR | | |
| 724 33 64-40 | Skruv | Screw | Schraube | MFX 6x10 RFR | | |
| 477 62 69-00 | Stripshållare | Strips holder | Strips Halter | | | |

Fet stil = Ändring
Bold print = Change
Fettdruck = Änderung

