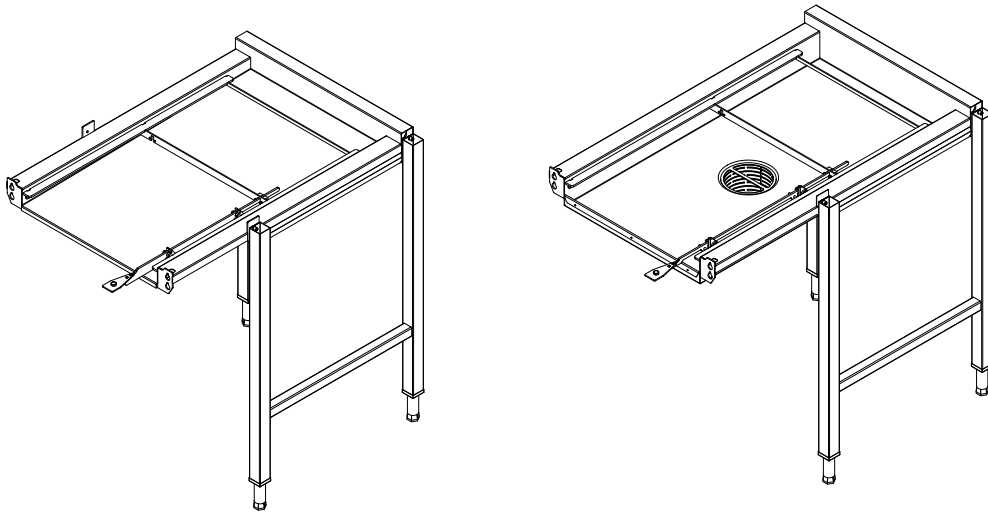


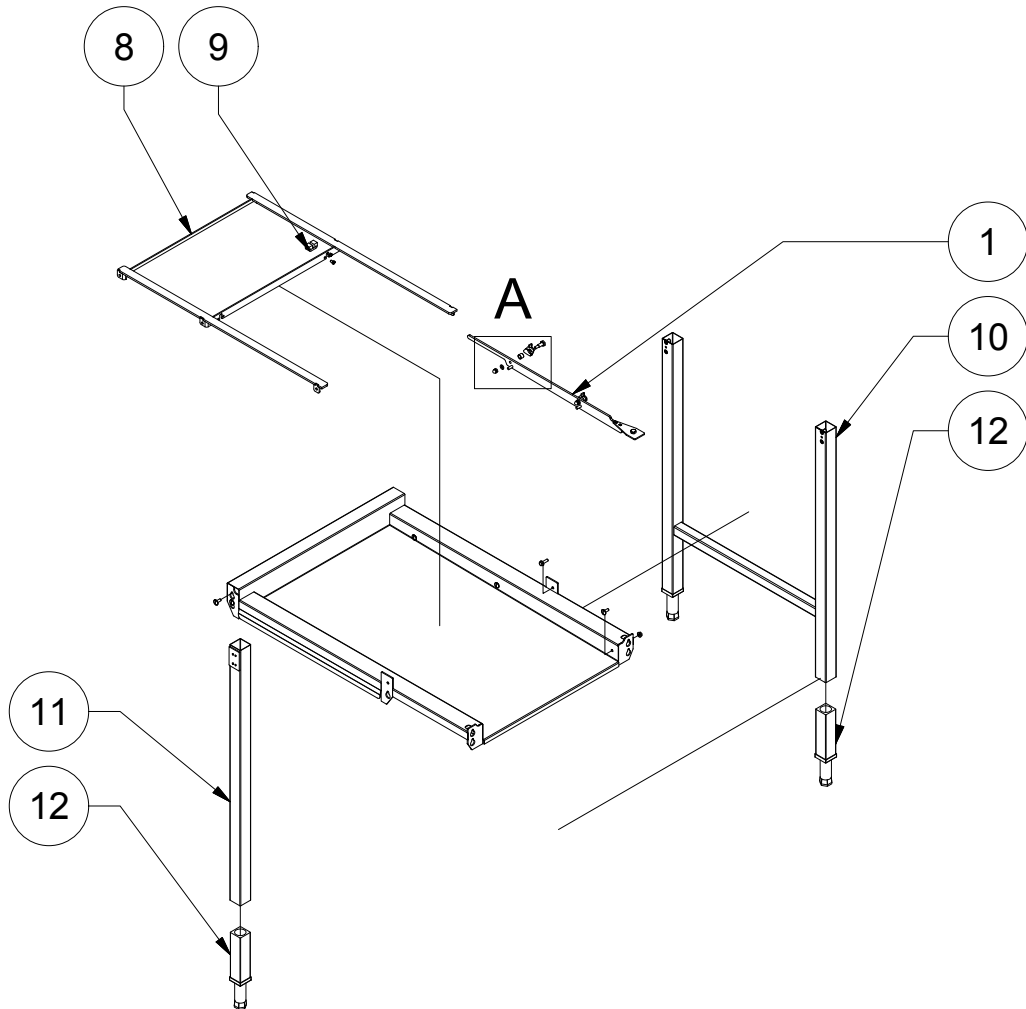
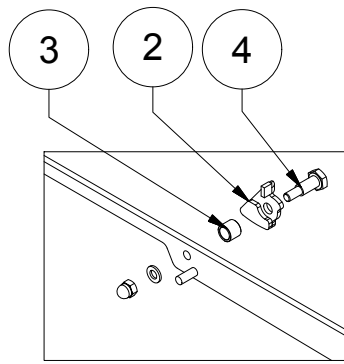
# Spare part list



## SIDE LOADER



DOC. NO. **ST11791-60**  
EDITION 1 2017.07

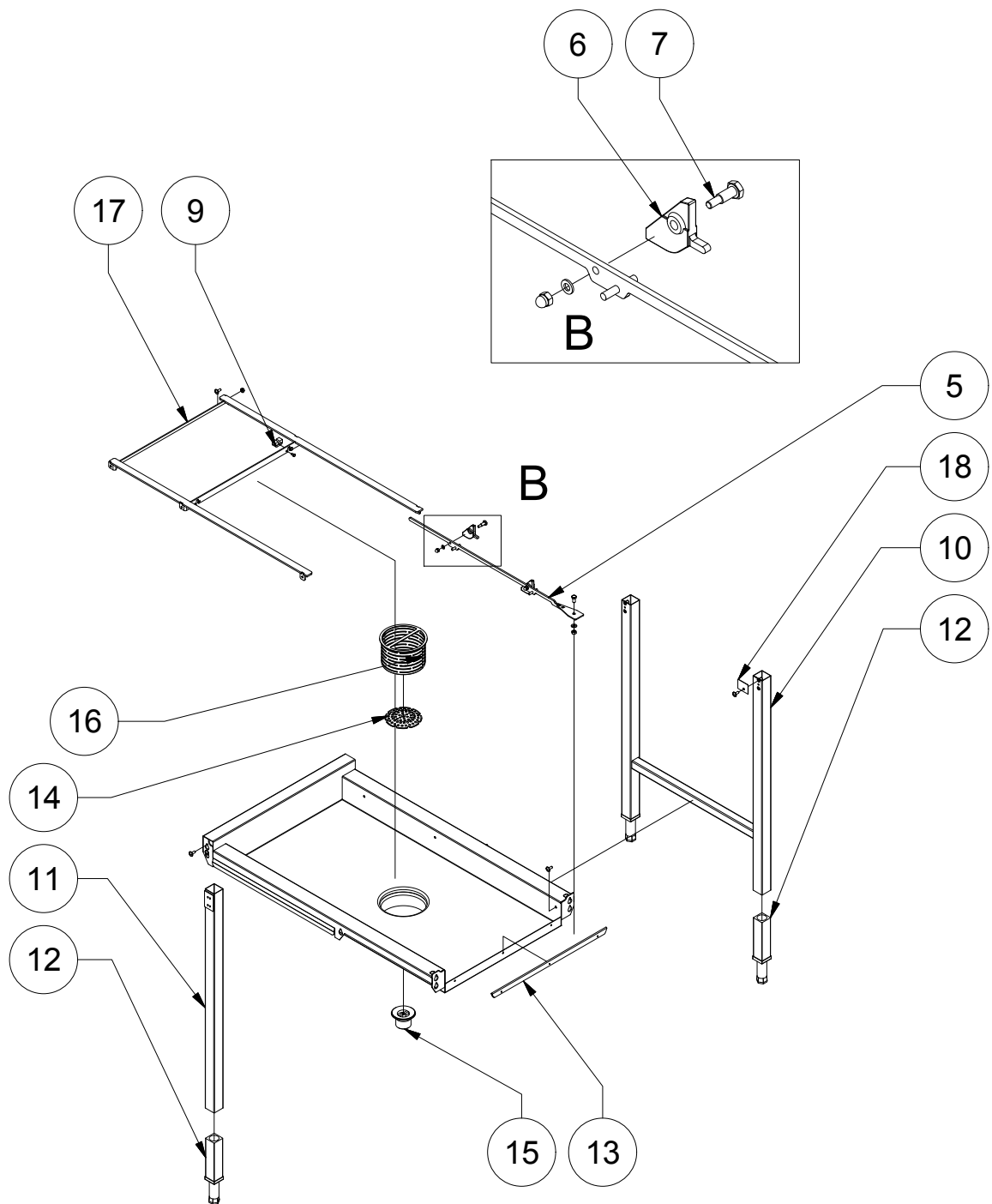


Prod.no.  
9F86524300  
9F86545100  
9F86524400

Side loader 700  
Side loader 800  
Side loader 900

Edition: 1

2017-03



Prod.no.  
9F865244

Side loader, 1000, 1100  
1200, 1300  
1400, 1500

Edition: 1

2017-03

18	ST1 17 65-00	Leg Cover, Side Loader			
30	ST1 16 23-15	Slide Grid			Side Loader 1500
31	ST1 16 23-14	Slide Grid			Side Loader 1400
32	ST1 16 23-13	Slide Grid			Side Loader 1300
33	ST1 16 23-12	Slide Grid			Side Loader 1200
29	ST1 16 23-11	Slide Grid			Side Loader 1100
17	ST1 16 23-10	Slide Grid			Side Loader 1000
16	ST0 33 90-00	Strainer basket			
15	476 84 47-00	Drainconnection 1½"			
14	428 02 89-00	Strainer plate Ø114			
13	ST1 16 33-00	Snap On			
12	ST0 33 76-00	Foot cpl.			
11	ST0 52 11-00	Stand cpl., side loader			
10	ST0 37 83-00	Front stand cpl			
9	ST1 06 17-00	Support			
8	ST1 16 23-08	Slide Grid			Side Loader 800
8	ST1 16 23-07	Slide Grid			Side Loader 700
8	ST1 16 23-09	Slide Grid			Side Loader 900
7	520 27 51-00	Screw, carrier			
6	520 27 52-00	Carrier			
5	ST1 16 31-15	Feeding arm 1500			Side Loader 1500
5	ST1 16 31-14	Feeding arm 1400			Side Loader 1400
5	ST1 16 31-13	Feeding arm 1300			Side Loader 1300
5	ST1 16 31-12	Feeding arm 1200			Side Loader 1200
5	ST1 16 31-11	Feeding arm 1100			Side Loader 1100
5	ST1 16 31-10	Feeding arm 1000			Side Loader 1000
4	520 27 51-00	Screw, carrier			
3	ST0 35 91-00	Spacer pipe			
2	ST2 36 14-04	Carrier			
1	ST1 16 31-08	Feeding Arm 800			Side Loader 800
1	ST1 16 31-07	Feeding Arm 700			Side Loader 700
1	ST1 16 31-09	Feeding Arm 900			Side Loader 900
<b>Pos</b>	<b>Art. No.</b>	<b>Description</b>	<b>From</b>	<b>To</b>	<b>Note</b>