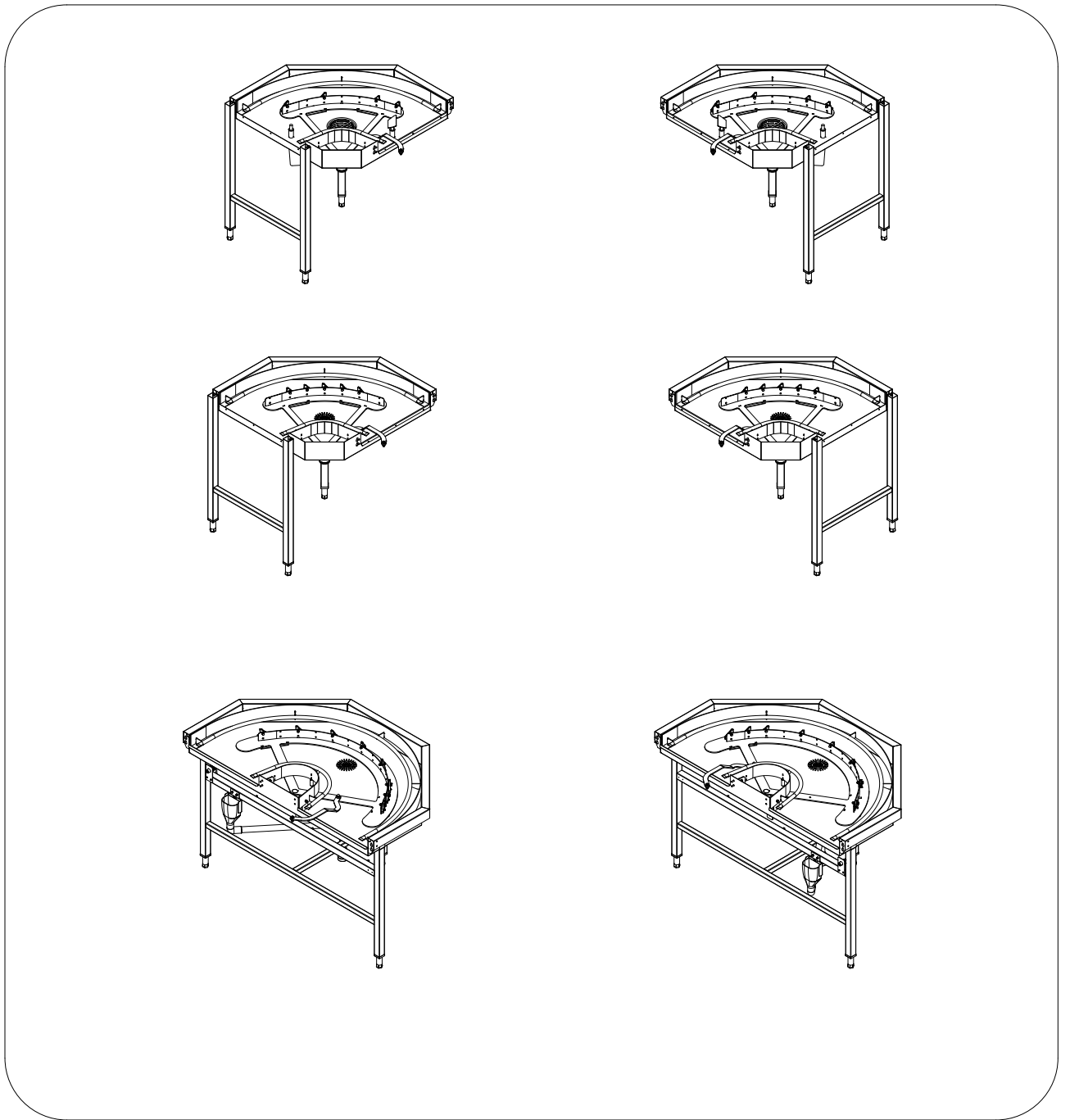


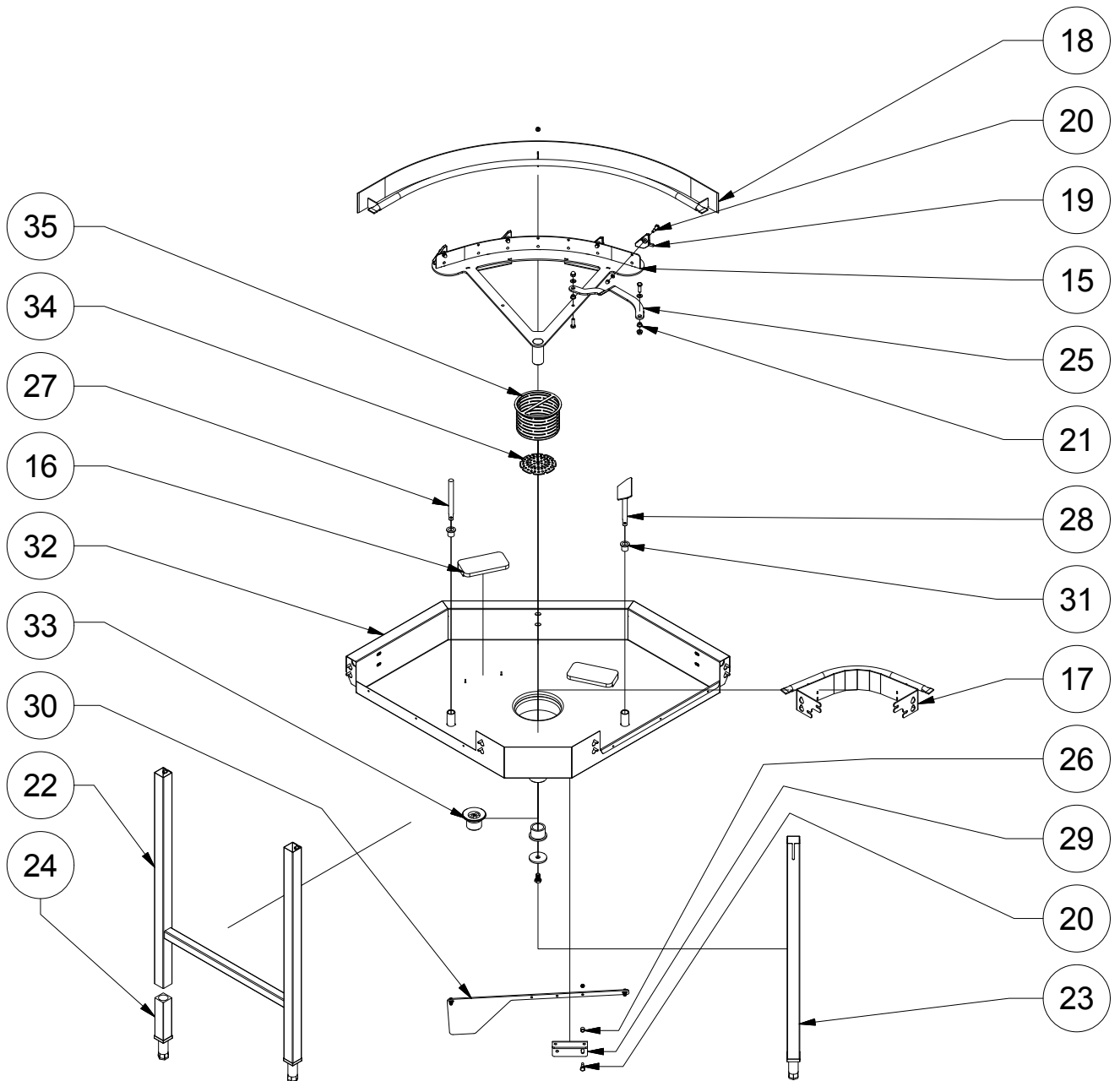
# Spare part list



## TURNTABLE



- Turntable, DW driven, 90°, loading, clockwise (CW) 3  
Turntable, DW driven, 90°, loading, counter clockwise (CCW)
  
- Turntable, DW driven, 90°, unloading, clockwise wise (CW) 4  
Turntable, DW driven, 90°, unloading, counter clockwise (CCW)
  
- Turntable, DW driven, 180°, loading, clockwise Turntable, DW 5  
driven, 180°, loading, counter clockwise (CCW)
  
- Turntable, DW driven, 180°, unloading, clockwise Turntable, DW 6  
driven, 180°, unloading, counter clockwise (CCW)
  
- Part list 7

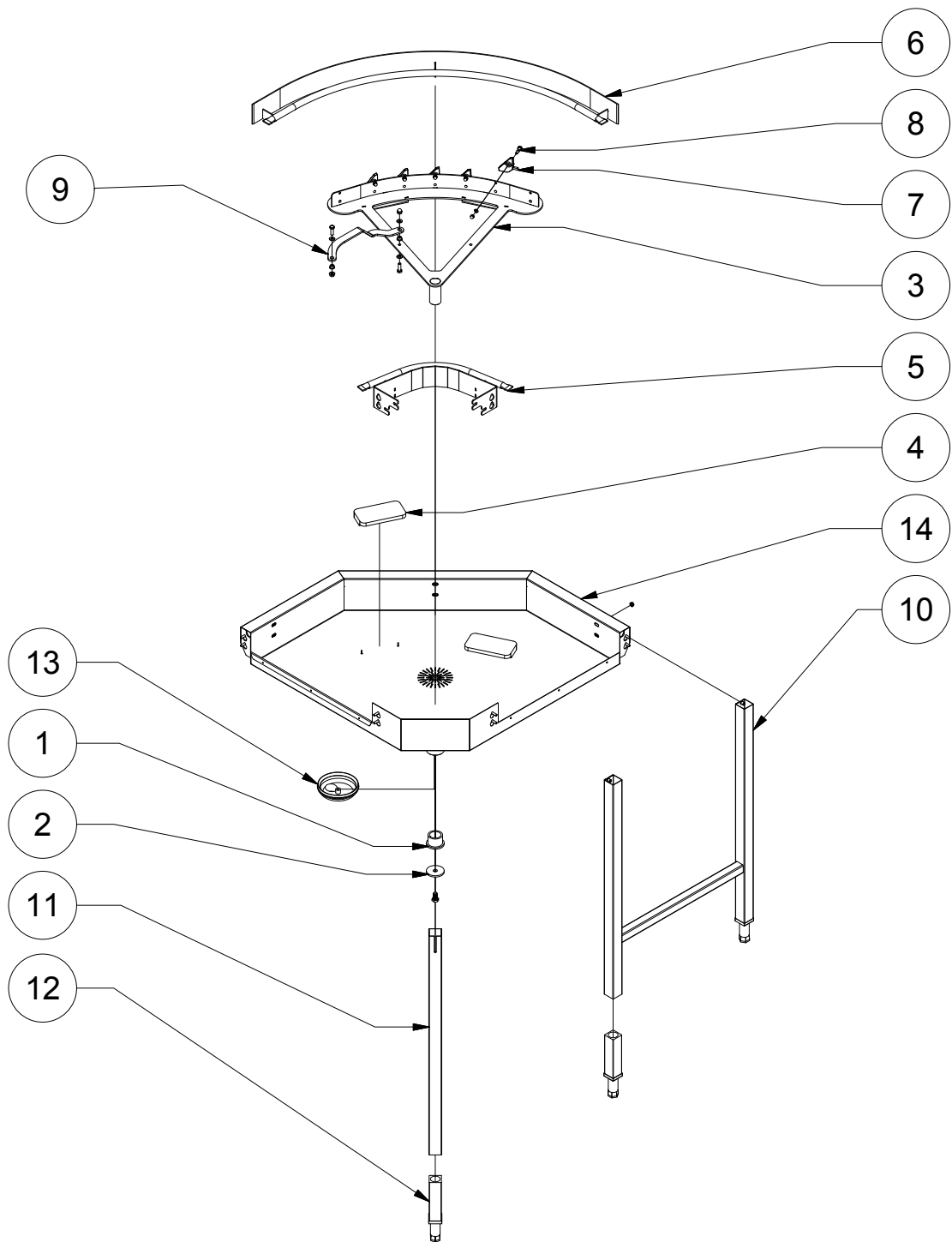


Prod.no.  
9F86524700  
9F86524800

Turntable, DW driven, 90°, loading, CW  
Turntable, DW driven, 90°, loading, CCW

Edition: 1

2017-06



Prod.no.  
 9F865245  
 9F865246

Turntable, DW driven, 90°, unloading, CW  
 Turntable, DW driven, 90°, unloading, CCW

Edition: 1

2017-06

Will be updated in near future

Prod.no.

9F86545800

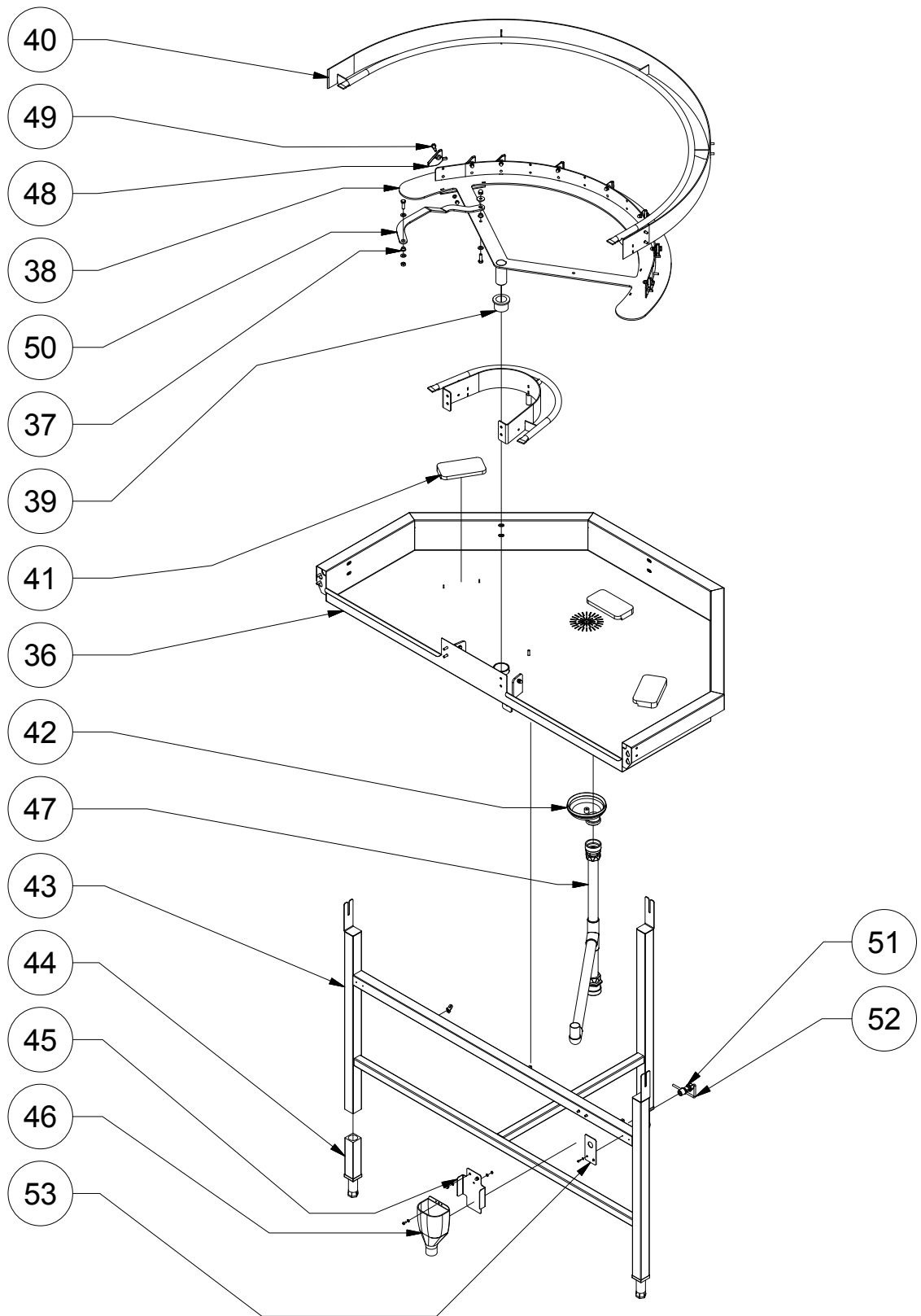
9F86545900

Turntable, DW driven, 180°, loading, CW

Turntable, DW driven, 180°, loading, CCW

Edition: 1

2017-06



Prod.no.  
 9F86525100  
 9F86525200

Turntable, DW driven, 180°, unloading, CW  
 Turntable, DW driven, 180°, unloading, CCW

Edition: 1

2017-06

| 40  | ST0 60 17-00 | Border, outer cpl.                      |      |    |            |
|-----|--------------|---|------|----|------------|
| 39  | ST0 35 90-00 | Bushing Ø35                             |      |    |            |
| 38  | ST1 17 21-00 | Rotation Feeder, DW-driven curve 180°   |      |    |            |
| 37  | 520 19 71-00 | Bearing Ø8/12x8-16x2                    |      |    |            |
| 36  | ST1 17 17-00 | DW-driven curve 180°, Basin, Weld Assy  |      |    |            |
| 35  | ST0 33 90-00 | Strainer basket                         |      |    |            |
| 34  | 428 02 89-00 | Strainer plate Ø114                     |      |    |            |
| 33  | 476 84 47-00 | Drainconnection 1½"                     |      |    |            |
| 32  | ST1 17 33-01 | DW-driven curve 90°, Basin, Weld Assy   |      |    |            |
| 31  | ST1 17 62-00 | Slide Bearing                           |      |    |            |
| 30  | ST1 17 61-00 | Pacer Plate                             |      |    |            |
| 29  | ST1 17 60-00 | Bracket, Pacer                          |      |    |            |
| 28  | ST1 17 57-00 | Pushing Shaft, Weld assy.               |      |    |            |
| 27  | ST1 17 53-00 | Stop Shaft, Pacer                       |      |    |            |
| 26  | ST0 35 91-00 | Spacer pipe                             |      |    |            |
| 25  | ST1 17 25-03 | Feeding Arm, DW-driven curve 90°, Right |      |    | 9F86524700 |
|     | ST1 17 25-02 | Feeding Arm, DW-driven curve 90°, Left  |      |    | 9F86524800 |
| 24  | ST0 33 76-00 | Foot cpl.                               |      |    |            |
| 23  | ST0 52 03-00 | Leg L=826,8 mm                          |      |    |            |
| 22  | ST0 37 83-00 | Front stand cpl                         |      |    |            |
| 21  | 520 19 71-00 | Bearing Ø8/12x8-16x2                    |      |    |            |
| 20  | 520 27 51-00 | Screw, carrier                          |      |    |            |
| 19  | 520 27 52-00 | Carrier                                 |      |    |            |
| 18  | ST0 60 13-00 |   |      |    |            |
| 17  | ST1 17 38-00 | Inner Rim 90°, Weld Assy                |      |    |            |
| 16  | ST1 17 27-00 | Slide Block, DW-driven curve            |      |    |            |
| 15  | ST1 17 35-00 | Rotation Feeder, DW-driven curve 90°    |      |    |            |
| 14  | ST1 17 33-00 | DW-driven curve 90°, Basin, Weld Assy   |      |    |            |
| 13  | 476 80 48-00 | Drain pipe connection                   |      |    |            |
| 12  | ST0 33 76-00 | Foot cpl.                               |      |    |            |
| 11  | ST0 52 03-00 | Leg L=826,8 mm                          |      |    |            |
| 10  | ST0 37 83-00 | Front stand cpl                         |      |    |            |
| 9   | ST1 17 25-02 | Feeding Arm, DW-driven curve 90°, Left  |      |    | 9F86524500 |
|     | ST1 17 25-03 | Feeding Arm, DW-driven curve 90°, Right |      |    | 9F86524600 |
| 8   | 520 27 51-00 | Screw, carrier                          |      |    |            |
| 7   | 520 27 52-00 | Carrier                                 |      |    |            |
| 6   | ST0 60 13-00 |   |      |    |            |
| 5   | ST1 17 38-00 | Inner Rim 90°, Weld Assy                |      |    |            |
| 4   | ST1 17 27-00 | Slide Block, DW-driven curve            |      |    |            |
| 3   | ST1 17 35-00 | Rotation Feeder, DW-driven curve 90°    |      |    |            |
| 2   | ST1 17 26-00 | Washer, DW-driven curve                 |      |    |            |
| 1   | ST0 35 90-00 | Bushing Ø35                             |      |    |            |
| Pos | Art. No.     | Description                             | From | To | Note       |

|            |                 |  |             |           |             |
|------------|-----------------|--|-------------|-----------|-------------|
| 53         | ST1 19 63-00    | Bracket                                |             |           |             |
| 52         | 552 22 48-00    | Öflex 3G0,75                           |             |           |             |
| 51         | ST11955-01      | Connector SY21 2-P Female              |             |           |             |
| 50         | ST1 17 25-00    | Feeding Arm, DW-driven curve 180°, CW  |             |           | 9F86525100  |
|            | ST1 17 25-01    | Feeding Arm, DW-driven curve 180°, CCW |             |           | 9F86525200  |
| 49         | 520 27 51-00    | Screw, carrier                         |             |           |             |
| 48         | 520 27 52-00    | Carrier                                |             |           |             |
| 47         | ST0 39 98-00    | Plumbing cpl.                          |             |           |             |
| 46         | ST0 39 76-00    | Tundish Ø32                            |             |           |             |
| 45         | ST0 66 22-00    | Bracket, Tundish                       |             |           |             |
| 44         | ST0 33 76-00    | Foot cpl.                              |             |           |             |
| 43         | ST0 33 33-00    | Stand cpl.                             |             |           |             |
| 42         | 476 80 48-00    | Drain pipe connection                  |             |           |             |
| 41         | ST1 17 27-00    | Slide Block, DW-driven curve           |             |           |             |
| 40         | ST0 60 17-00    | Border, outer cpl.                     |             |           |             |
| <b>Pos</b> | <b>Art. No.</b> | <b>Description</b>                     | <b>From</b> | <b>To</b> | <b>Note</b> |