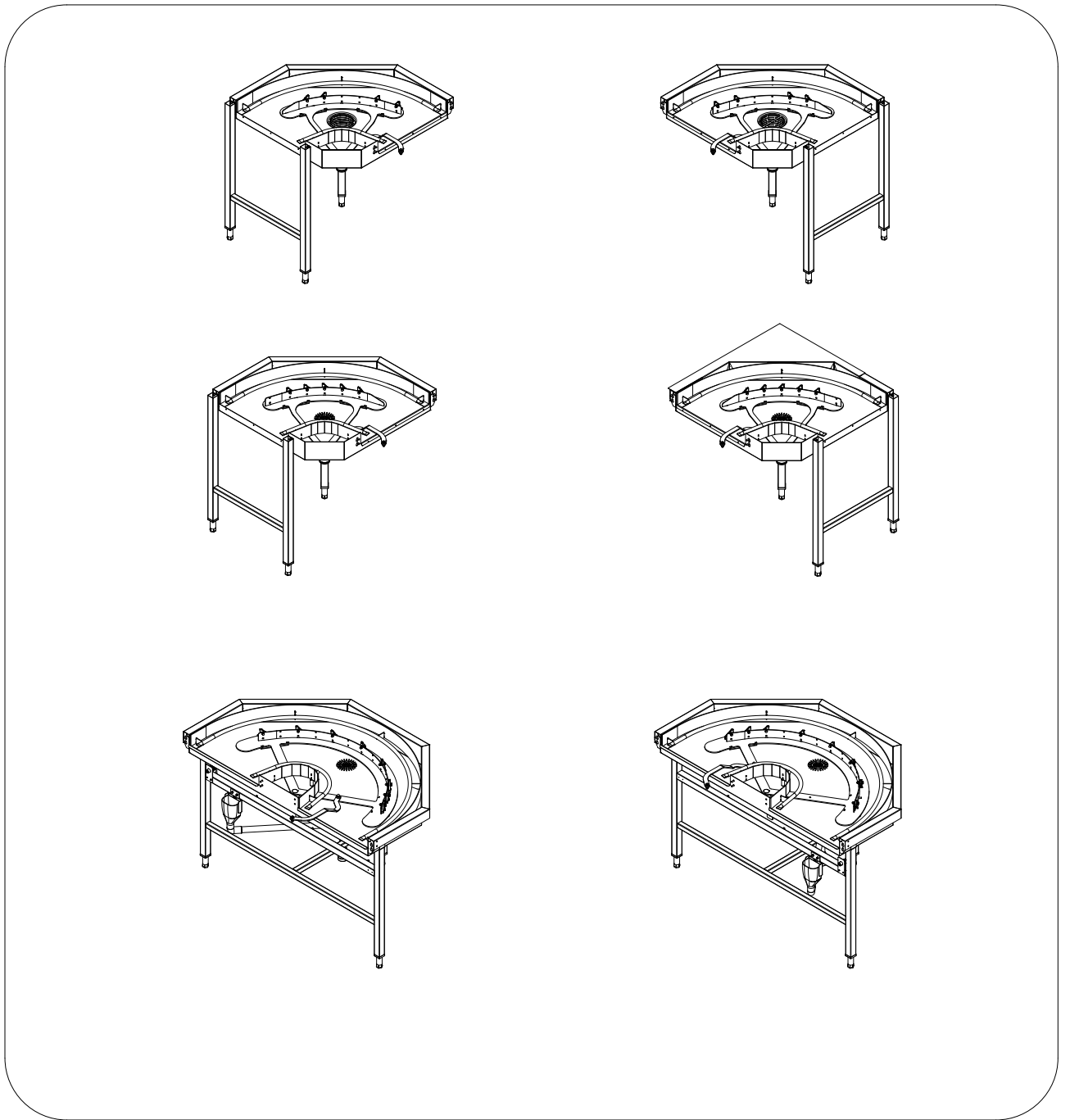


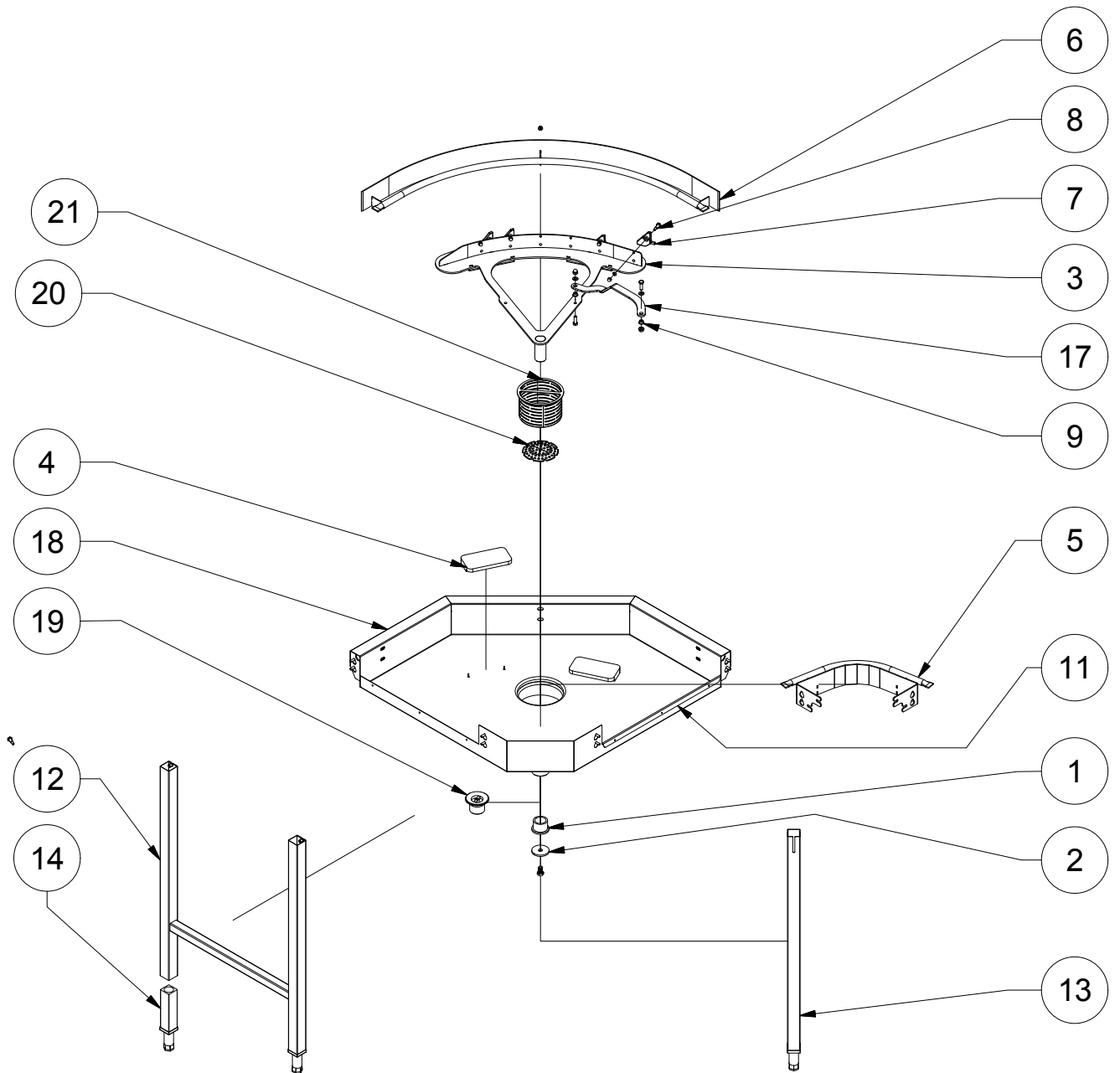
Spare part list



TURN TABLE



• Turntable, DW driven, 90°, loading, clockwise (CW)	3
• Turntable, DW driven, 90°, loading, counter clockwise (CCW)	
• Turntable, DW driven, 90°, unloading, clockwise (CW)	4
• Turntable, DW driven, 90°, unloading, counter clockwise (CCW)	
• Turntable, DW driven, 180°, loading, clockwise (CW)	5
• Turntable, DW driven, 180°, loading, counter clockwise (CCW)	
• Turntable, DW driven, 180°, unloading, clockwise (CW)	6
• Turntable, DW driven, 180°, unloading, counter clockwise (CCW)	
• Part list	7

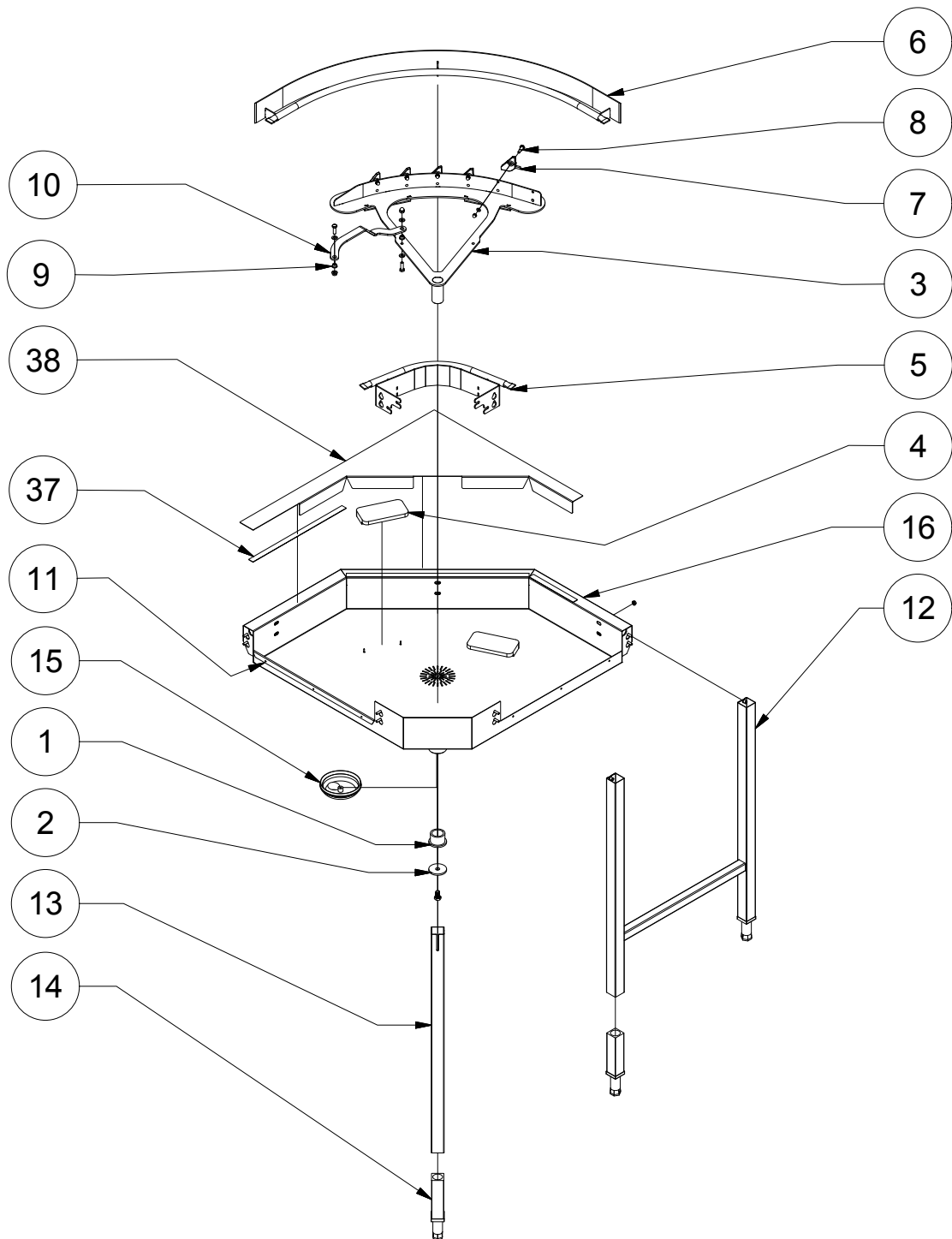


Prod.no.
 9F86524700
 9F86524800

Turntable, DW driven, 90°, loading, CW
 Turntable, DW driven, 90°, loading, CCW

Edition: 2

2017-11

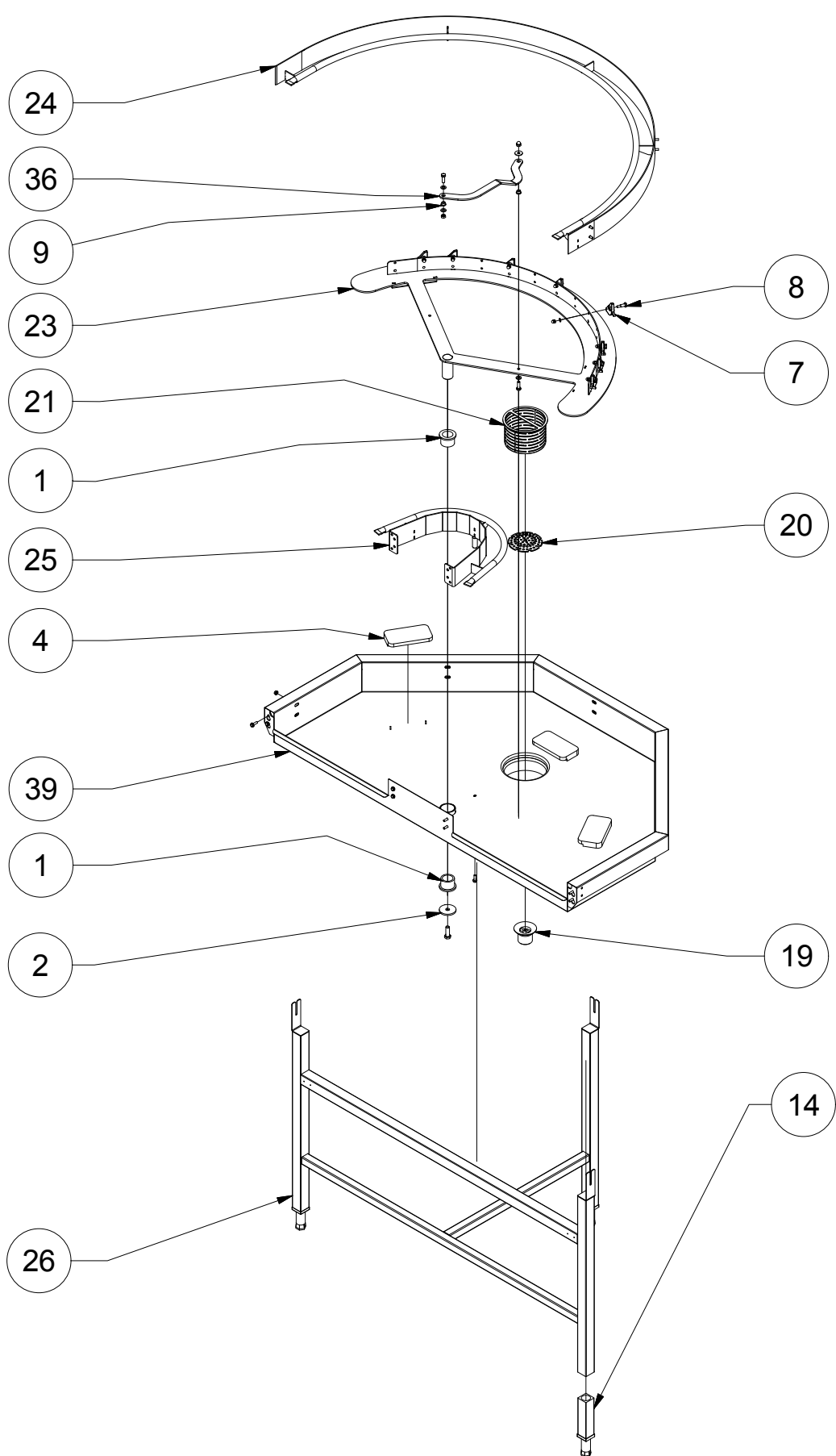


Prod.no.
 9F865245
 9F865246
 9F865249
 9F865250

Turntable, DW driven, 90°, unloading, CW
 Turntable, DW driven, 90°, unloading, CCW
 Turntable DW.Driven, unloading CW
 Turntable DW.Driven, unloading CCW

Edition: 2

2017-11

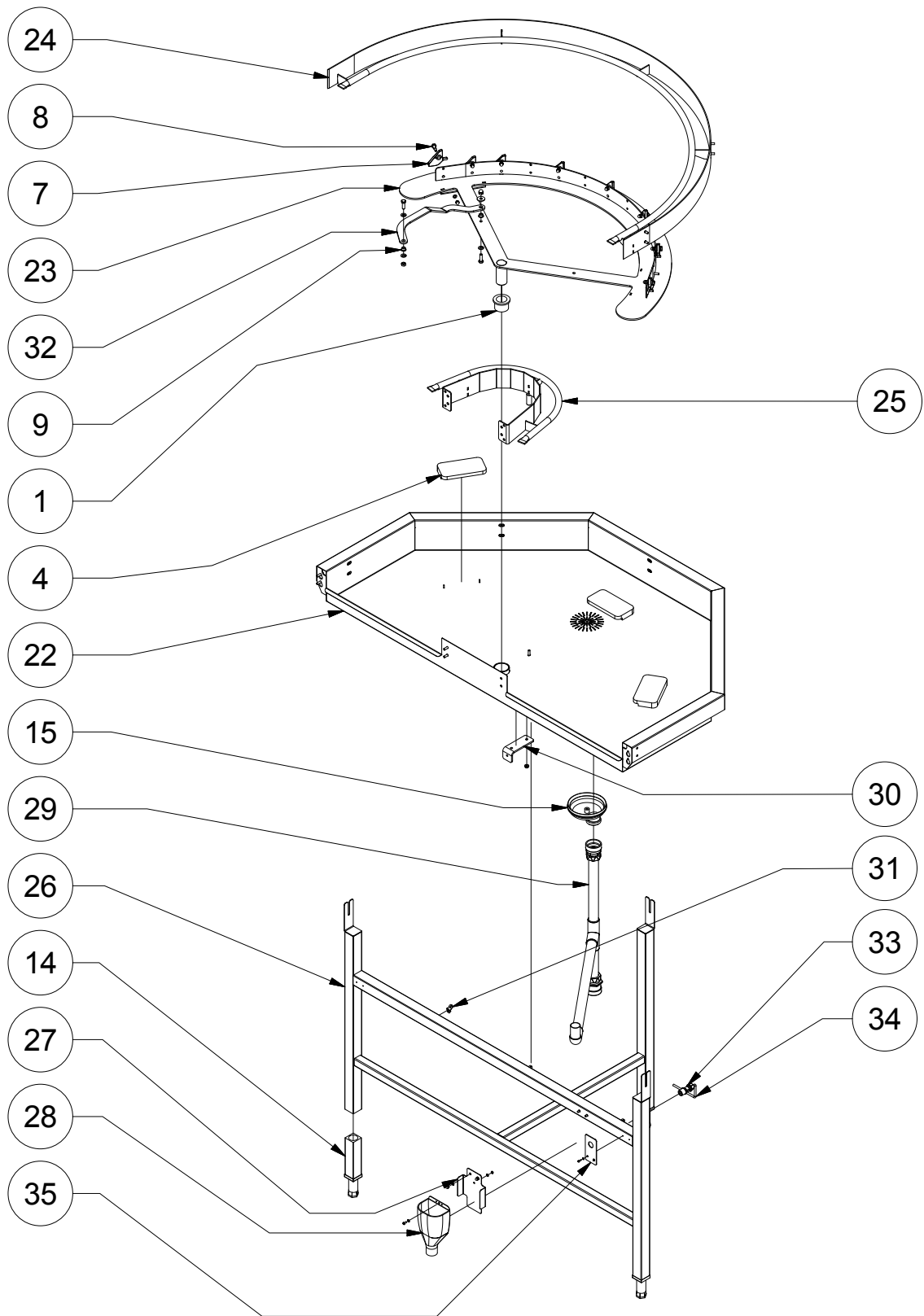


Prod.no.
 9F86545800
 9F86545900

Turntable, DW driven, 180°, loading, CW
 Turntable, DW driven, 180°, loading, CCW

Edition: 1

2017-11



Prod.no.
 9F86525100
 9F86525200

Turntable, DW driven, 180°, unloading, CW
 Turntable, DW driven, 180°, unloading, CCW

Edition: 1

2017-06

39	ST1 17 17-01	Basin cpl, DW-driven 180°, Loading			
38	ST1 22 30-01	Coverplate, HAB and Curve CW			
37	873 32 03-52	Adhesive double sided 19x1			
36	ST1 17 25-01	Feeding Arm DW-dr. curve 180°			865252, 865458
	ST1 17 25-00	Feeding Arm DW-dr. curve 180°			865251, 865459
35	ST1 19 63-00	Bracket			
34	552 22 48-00	Öflex 3G0,75			
33	ST11955-01	Connector SY21 2-P Female			
32	ST1 17 25-00	Feeding Arm, DW-dr. curve 180°			865251, 865459
	ST1 17 25-01	Feeding Arm, DW-dr. curve 180°			865252, 865458
31	552 21 19-02	Cable tie			
30	ST1 17 31-00	Bracket, 180°, Mobil			
29	ST0 39 98-00	Plumbing cpl.			
28	ST0 39 76-00	Tundish Ø32			
27	ST0 66 22-00	Bracket, Tundish			
26	ST0 33 33-00	Stand cpl.			
25	ST1 17 28-00	Inner Rim 180°, Weld Assy			
24	ST0 60 17-00	Border, outer cpl.			
23	ST1 17 21-00	Rotation Feeder, DW-dr. curve 180°			
22	ST1 17 17-00	Basin cpl, DW-driven curve 180°			
21	ST0 33 90-00	Strainer basket			
20	428 02 89-00	Strainer plate Ø114			
19	476 84 47-00	Drainconnection 1½"			
18	ST1 17 33-01	Basin cpl DW-driven curve 90°			
17	ST1 17 25-03	Feeding Arm, DW-dr. curve 90°			865246, 865247, 865250
	ST1 17 25 02	Feeding Arm, DW-dr. curve 90°			865245, 865248, 865249
16	ST1 17 33-00	Basin cpl, DW-driven curve 90°			
15	476 80 48-00	Drain pipe connection			
14	ST0 33 76-00	Foot cpl.			
13	ST0 52 03-00	Leg L=826,8 mm			
12	ST0 37 83-00	Front stand cpl			
11	ST0 33 59-00	Snap on			
10	ST1 17 25-02	Feeding Arm, DW-dr.curve 90°			865245, 865248, 865249
	ST1 17 25-03	Feeding Arm, DW-dr.curve 90°			865246, 865247, 865250
9	520 19 71-00	Bearing Ø8/12x8-16x2			
8	520 27 51-00	Screw, carrier			
7	520 27 52-00	Carrier			
6	ST0 60 13-00	Outer border 90° cpl.			
5	ST1 17 38-00	Inner Rim 90°			
4	ST1 17 27-00	Slide Block, DW-driven curve			
3	ST1 17 35-00	Rotation Feeder, DW-dr. curve 90° CW			865245, 865247, 865249
	ST1 17 35-01	Rotation Feeder, DW-dr. curve 90° CCW			865246, 865248, 865250
2	ST1 17 26-00	Washer, DW-driven curve			
1	ST0 35 90-00	Bushing Ø35			
Pos.	Art. No.	Description	From	To	Note

