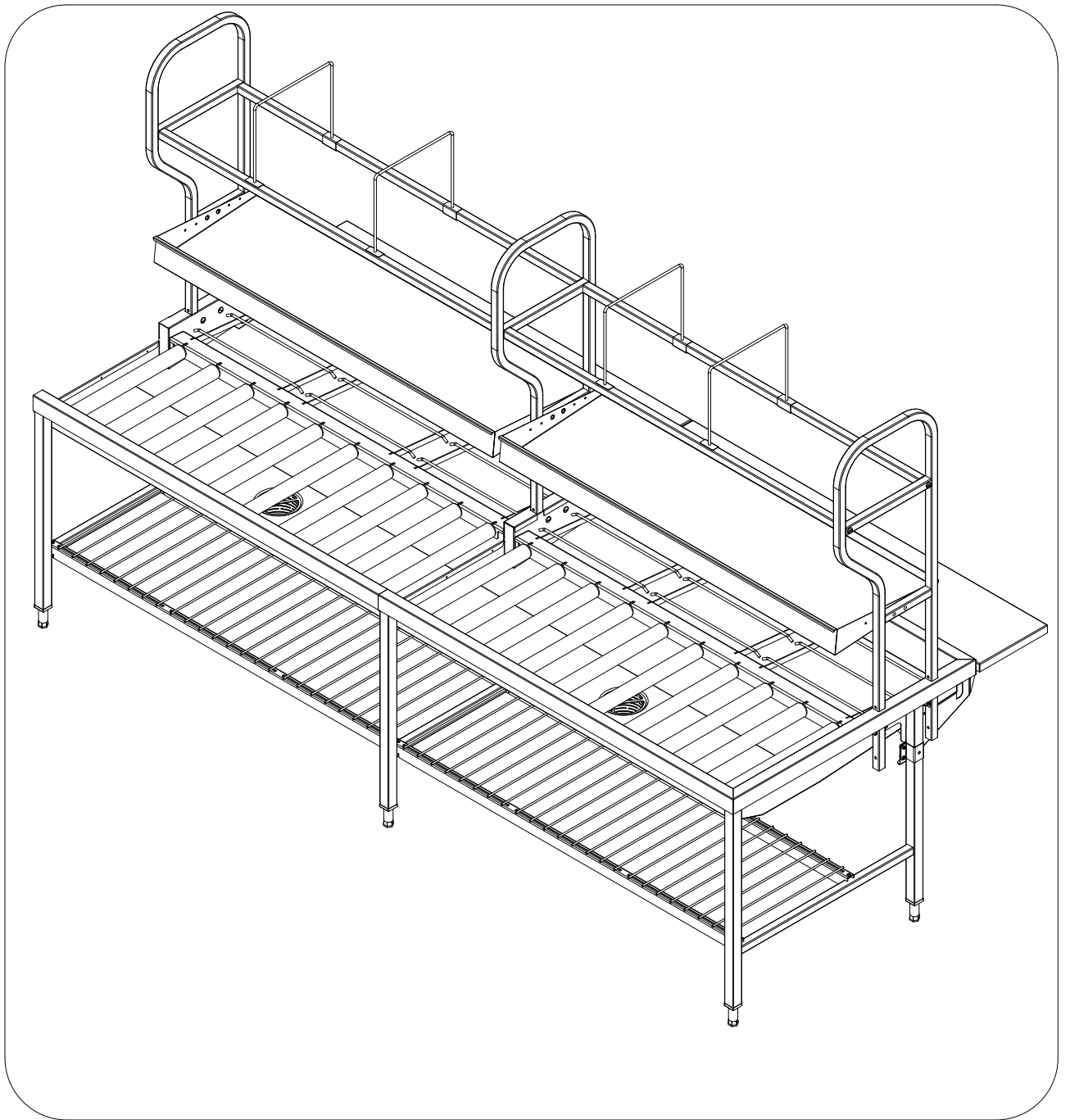


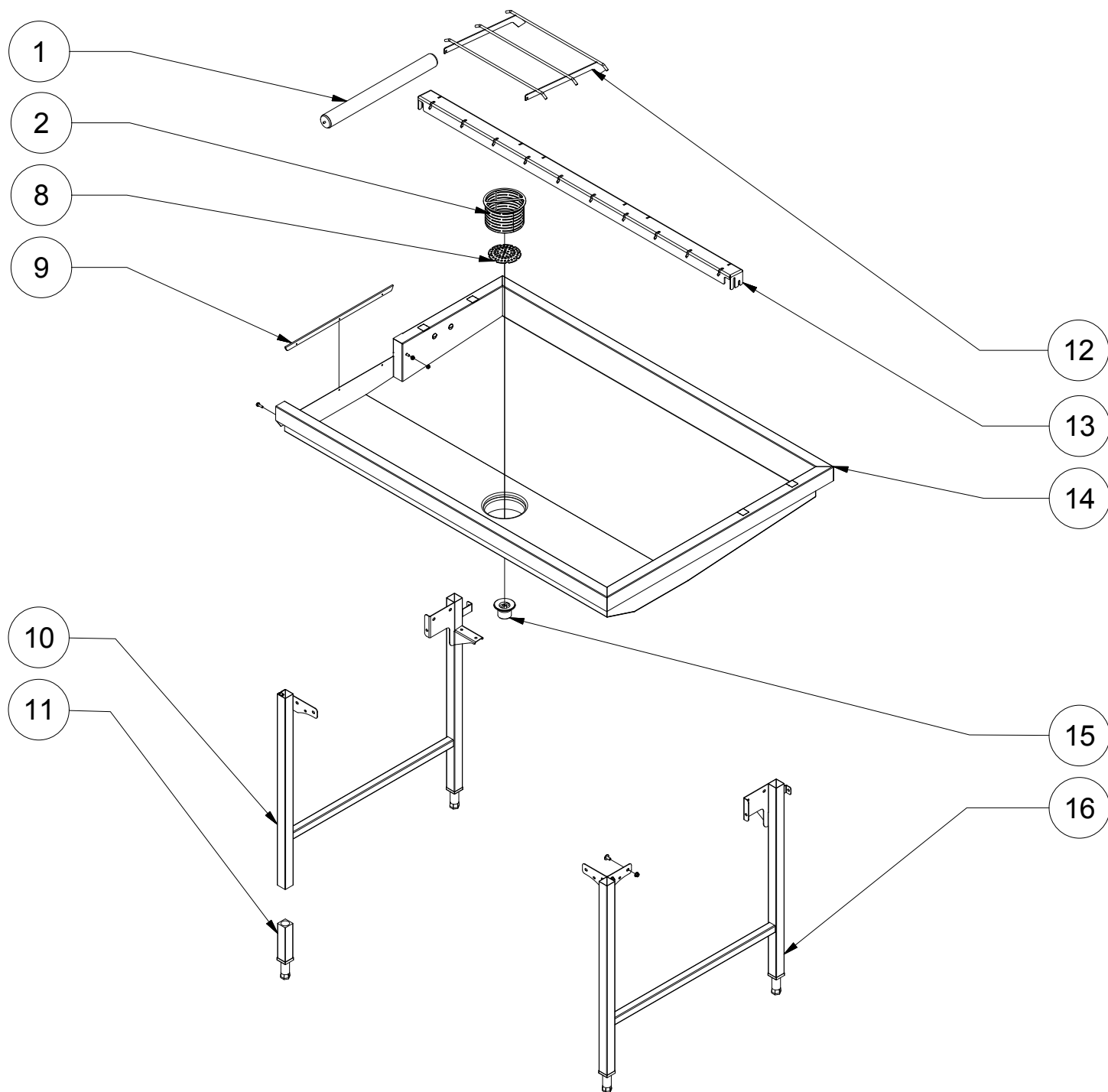
Spare part list



MANUAL STACKING TABLE DW DRIVEN STACKING TABLE



DOC. NO. **ST11793-60**
EDITION 2 2017.10



Prod.no.

9F86520400

9F86520500

9F86520600

9F86525700

9F86525800

9F86525900

Man. stacking table, 3 baskets L<R operated

Man. stacking table, 4 baskets L<R operated

Man. stacking table, 5 baskets L<R operated

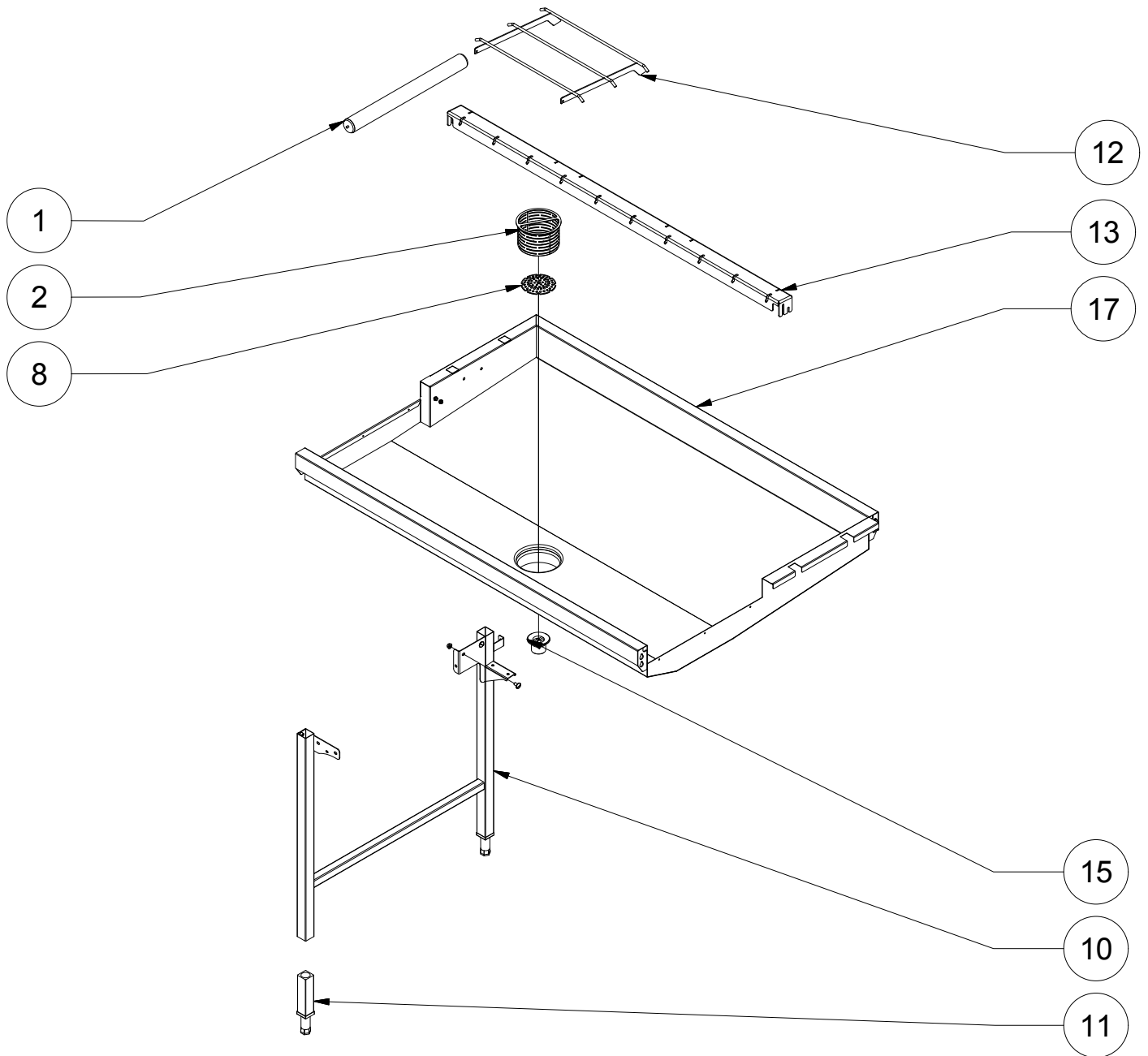
Man. stacking table, 3 baskets R<L operated

Man. stacking table, 4 baskets R<L operated

Man. stacking table, 5 baskets R<L operated

Edition: 2

2017-10



Prod.no.

9F86520700

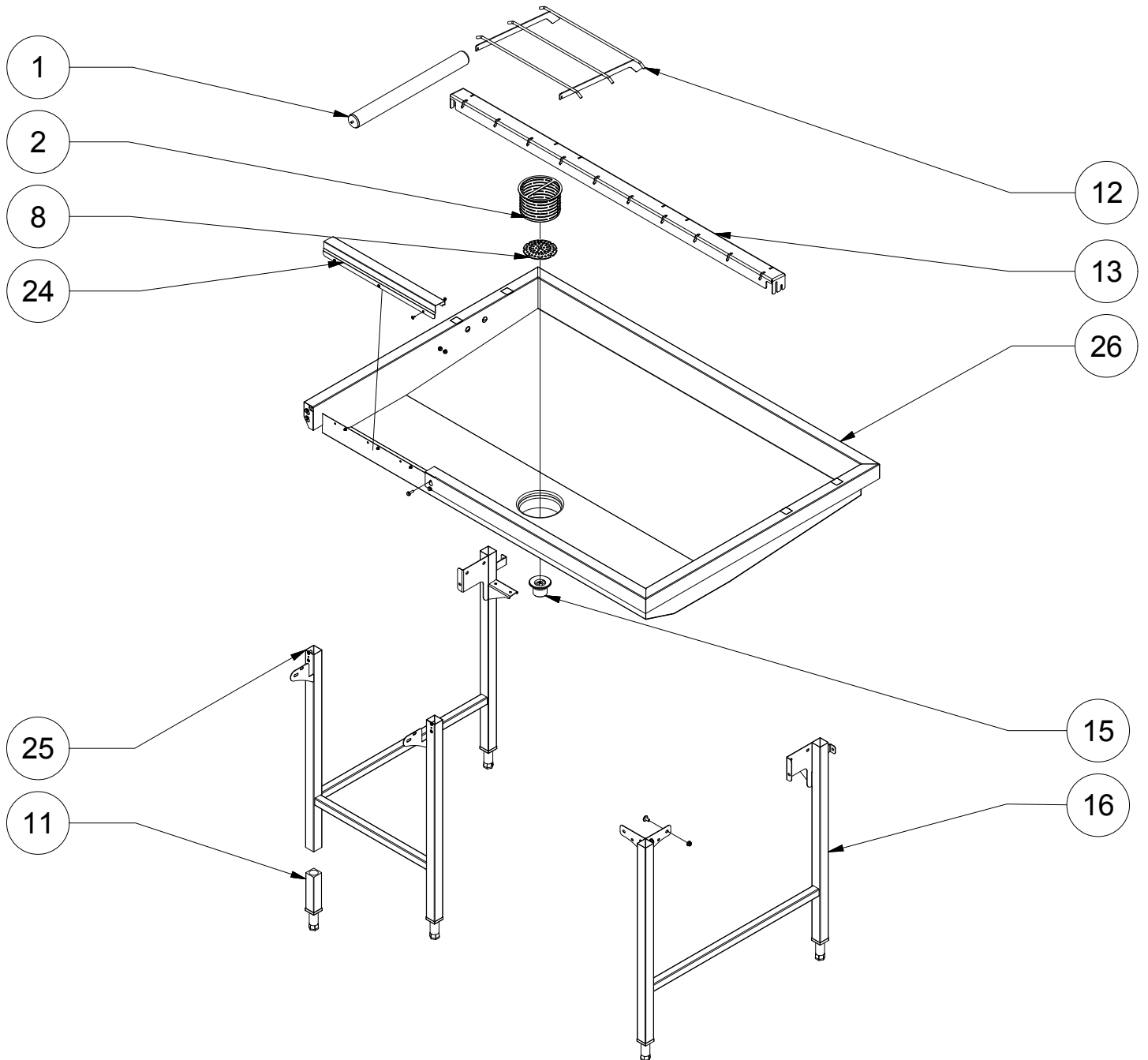
9F86526000

Man.pass thru st. table, 3 baskets L<R operated

Man.pass thru st. table, 3 baskets R<L operated

Edition: 2

2017-10



Prod.no.

9F86526100

9F86526200

9F86529200

9F86529400

9F86529500

9F86529600

Man. stacking table, 3 baskets L<R operated

Man. stacking table, 4 baskets L<R operated

Man. stacking table, 5 baskets L<R operated

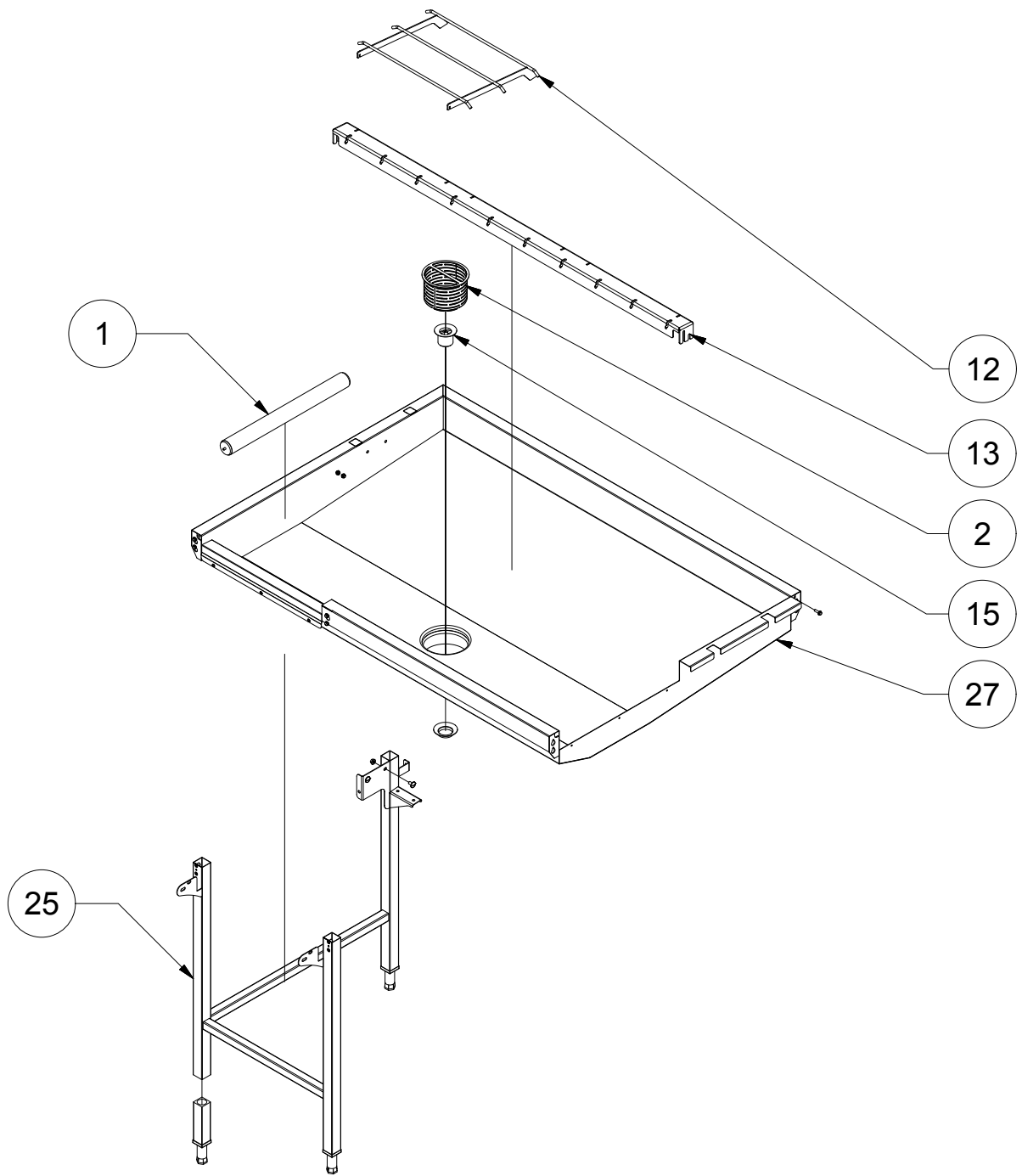
Man. stacking table, 3 baskets R<L operated

Man. stacking table, 4 baskets R<L operated

Man. stacking table, 5 baskets R<L operated

Edition: 2

2017-10

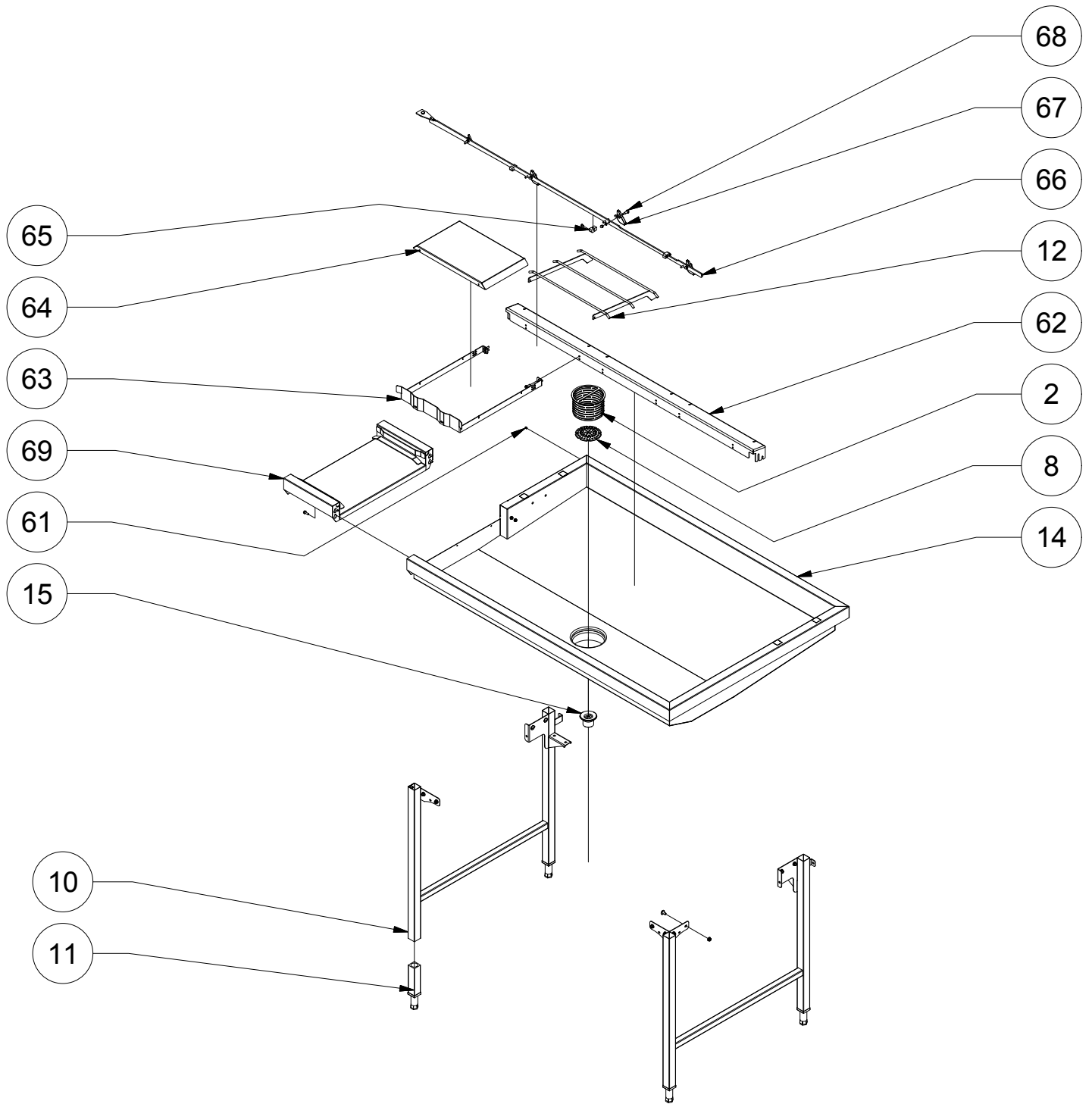


Prod.no.
 9F86529300
 9F86529700

Man.pass thru st. table, 3 baskets L<R operated
 Man.pass thru st. table, 3 baskets R<L operated

Edition: 2

2017-10



Prod.no.

9F865461

9F865462

9F865463

9F865465

9F865466

9F865467

DW-driven stacking table, 3 baskets L<R

DW-driven stacking table, 4 baskets L<R

DW-driven stacking table, 5 baskets L<R

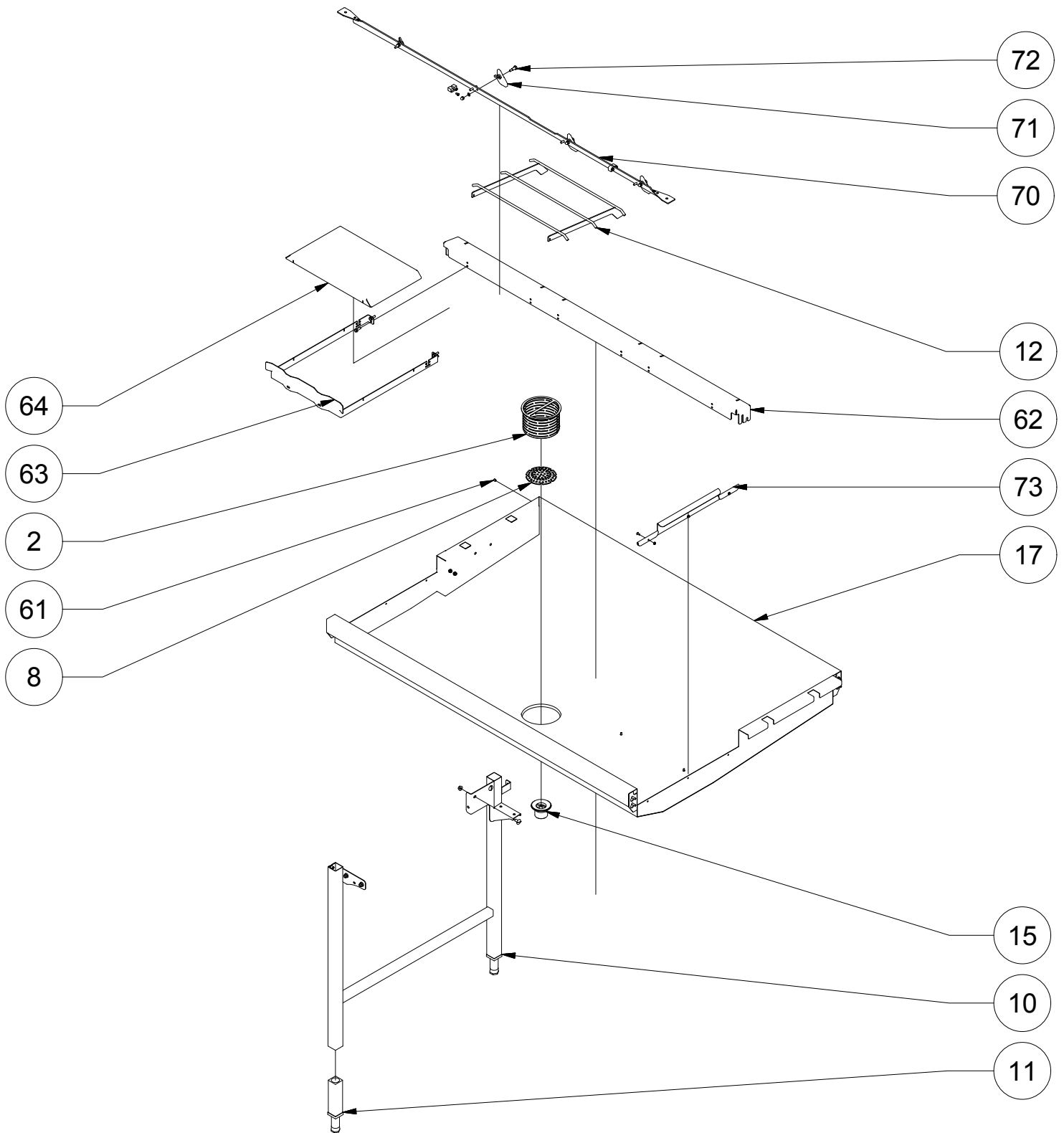
DW-driven stacking table, 4 baskets R<L

DW-driven stacking table, 5 baskets R<L

DW-driven stacking table, 3 baskets R<L

Edition: 2

2017-10

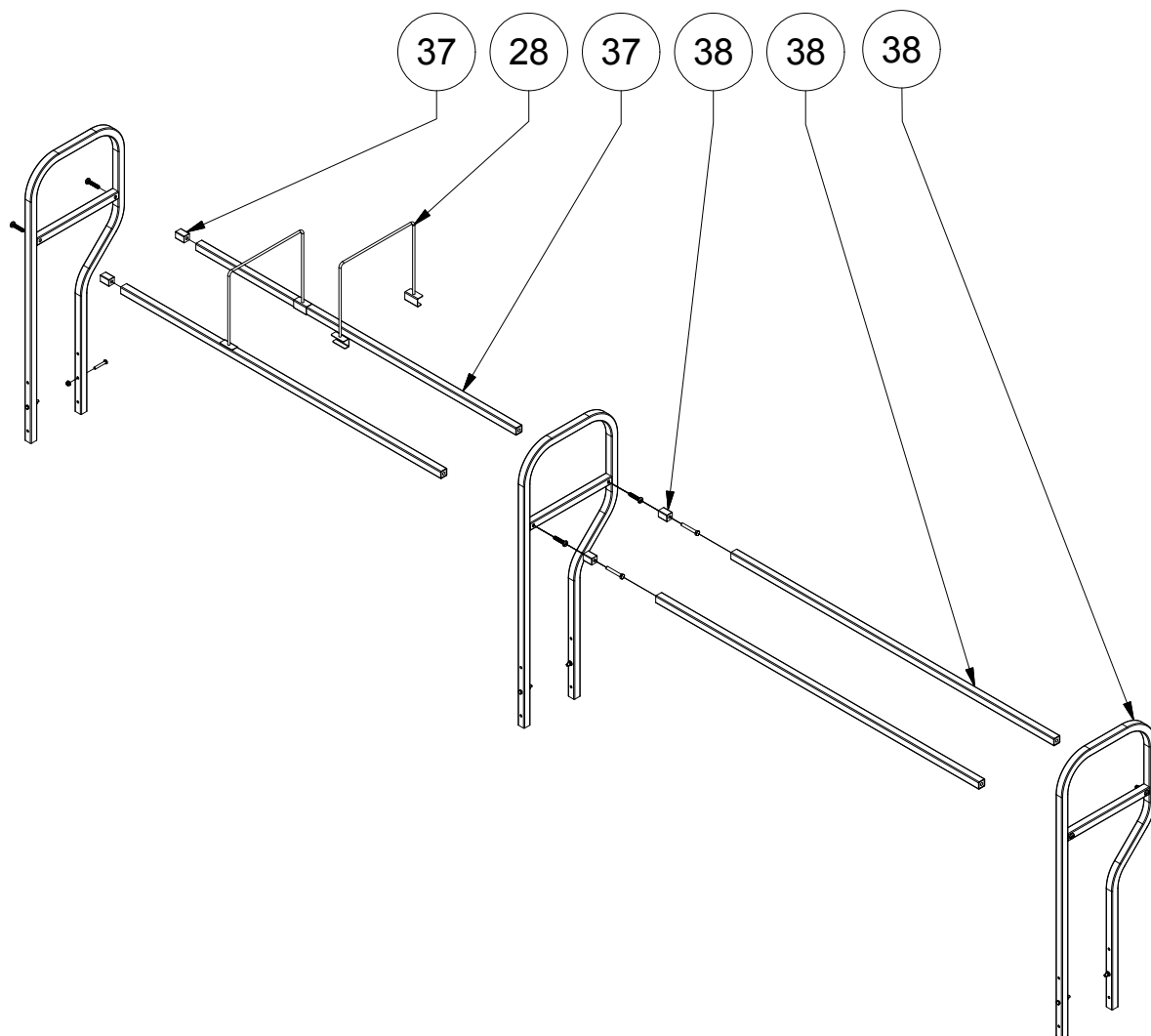


Prod.no.
 9F865464
 9F865468

DW-drive pass thru st. table, 3 baskets L<R
 DW-drive pass thru st. table, 3 baskets R<L

Edition: 2

2017-10



Prod.no.

9F86542900

9F86543000

9F86543100

9F86543200

Overshelf, empty basket storage 3 baskets

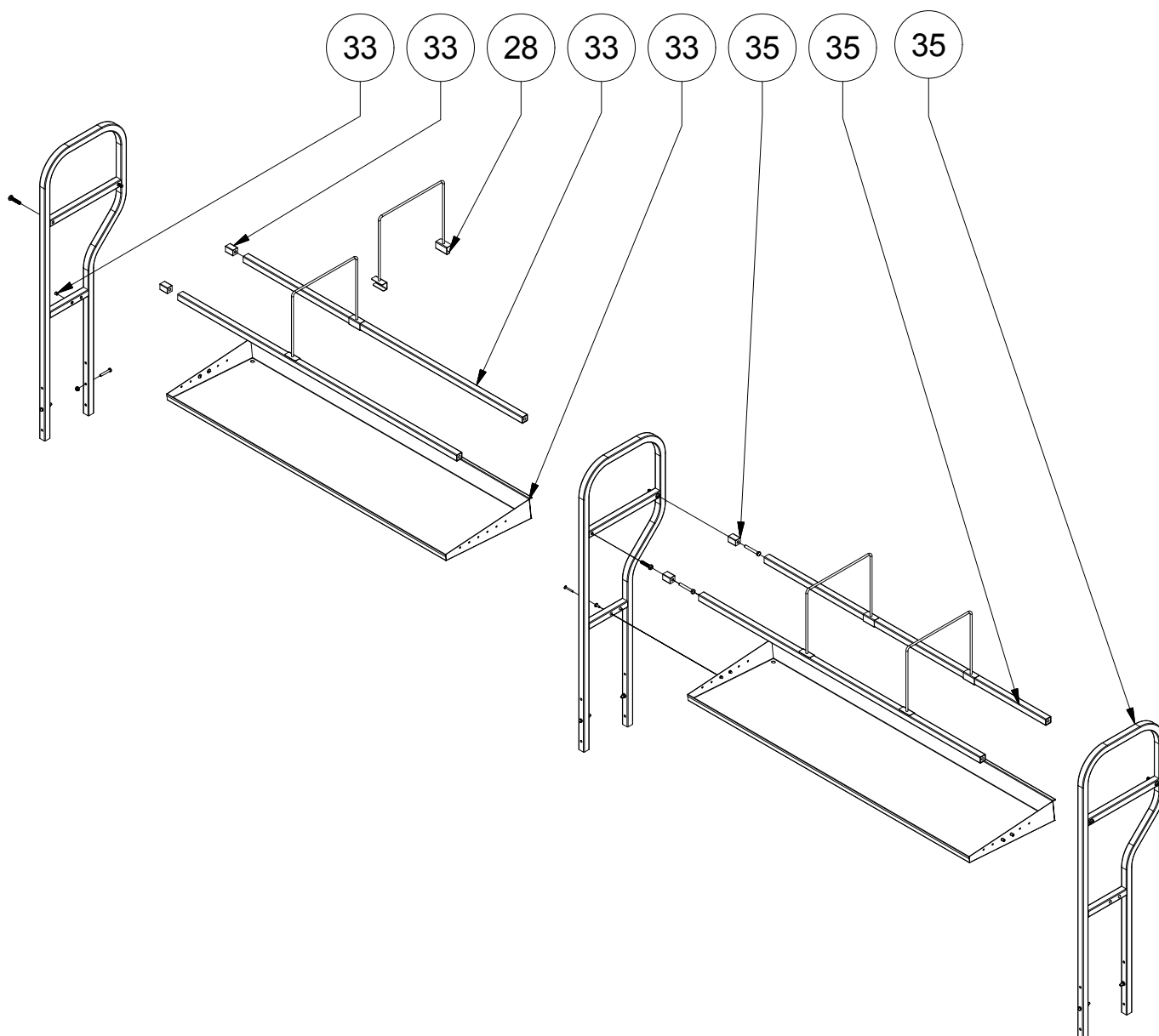
Overshelf, empty basket storage 4 baskets

Overshelf, empty basket storage 5 baskets

Overshelf, empty basket storage 3 baskets

Edition: 2

2017-10



Prod.no.

9F86529800

9F86529900

9F86542700

9F86542800

Overshelf, empty basket storage 3 baskets

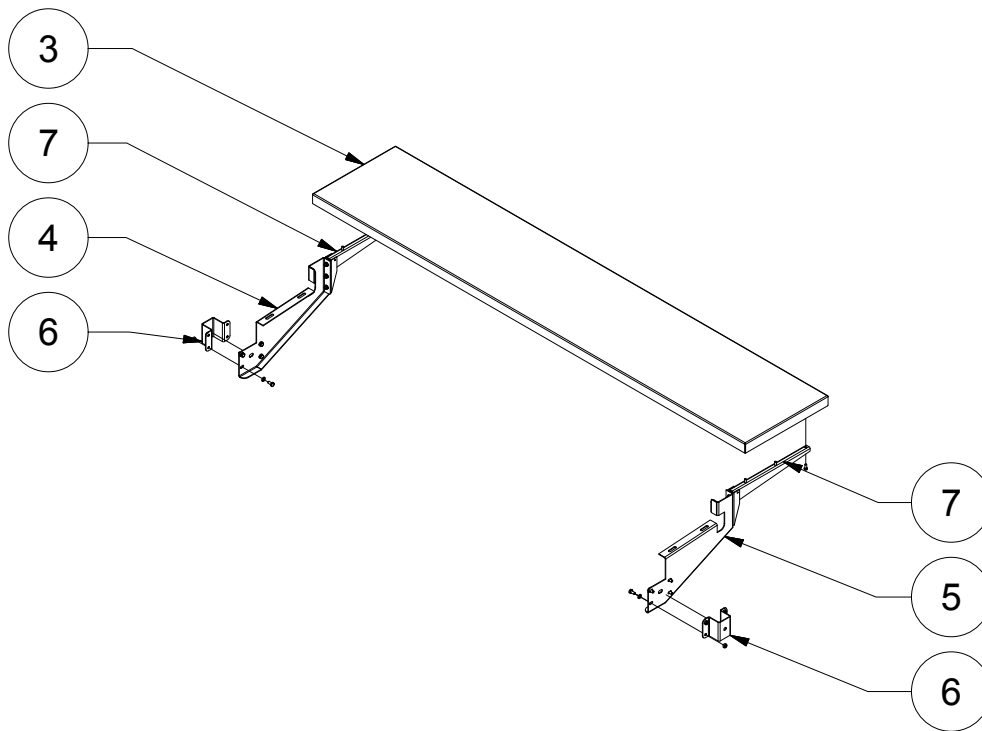
Overshelf, empty basket storage 4 baskets

Overshelf, empty basket storage 5 baskets

Overshelf, empty basket storage 3 baskets

Edition: 2

2017-10



Prod.no.

9F86545400

Foldable Trayslide for stacking table 3-baskets

9F86545500

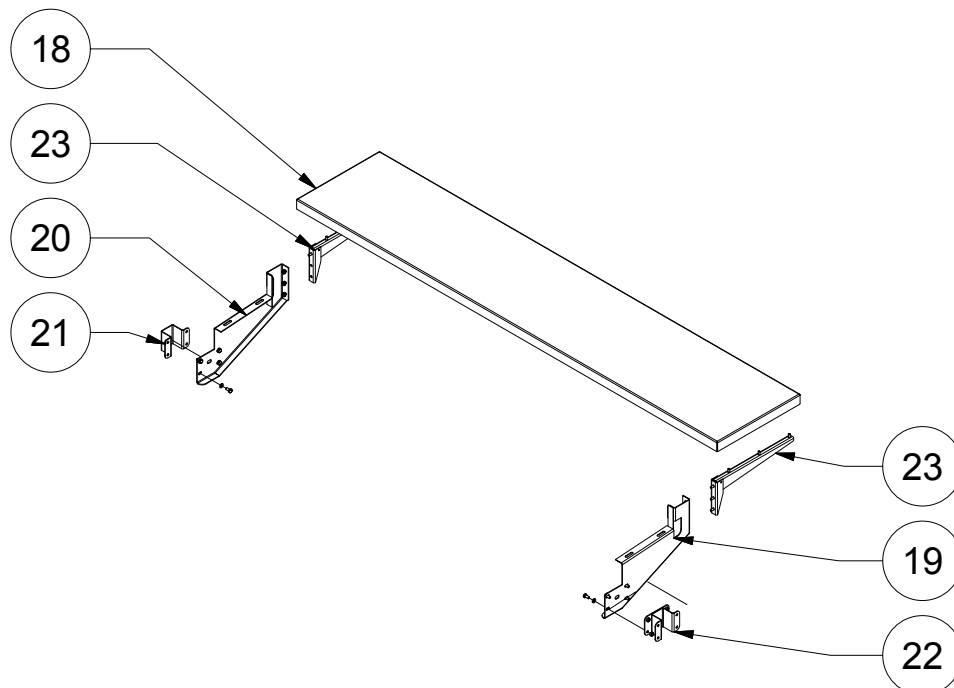
Foldable Trayslide for stacking table 4-baskets

9F86545600

Foldable Trayslide for stacking table 5-baskets

Edition: 2

2017-10



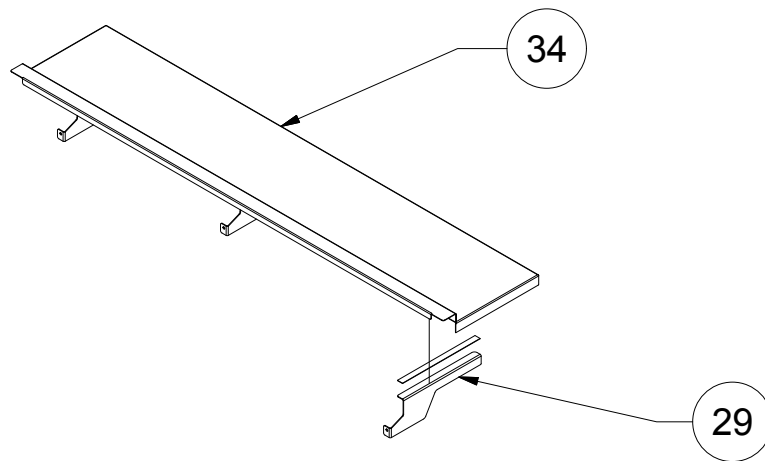
Prod.no.

9F86545700

Foldable Trayslide, pass thru st.table 3-baskets

Edition: 2

2017-10

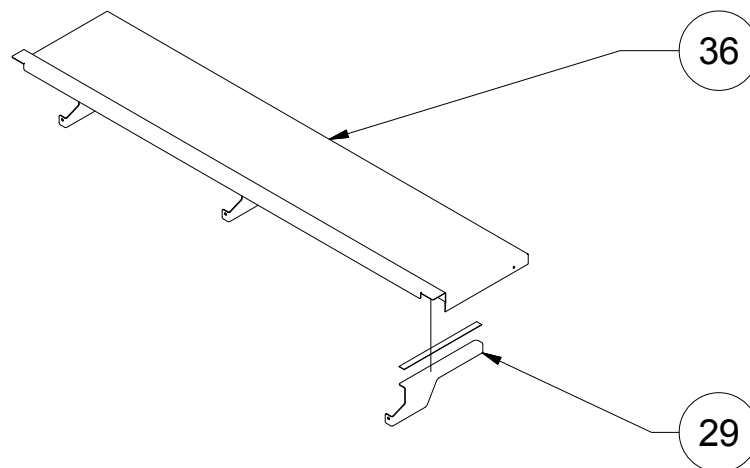


Prod.no.
 9F86543300
 9F86543400
 9F86543500

Trayslide for stacking table 3-baskets
 Trayslide for stacking table 4-baskets
 Trayslide for stacking table 5-baskets

Edition: 2

2017-10

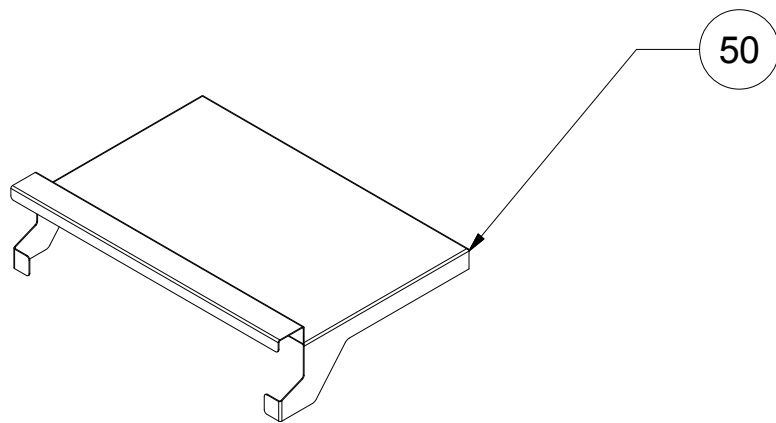


Prod.no.
 9F86543600
 9F86543700

Trayslide for pass thru stacking table 3-baskets
 Tray slide console (3 pcs)

Edition: 2

2017-10

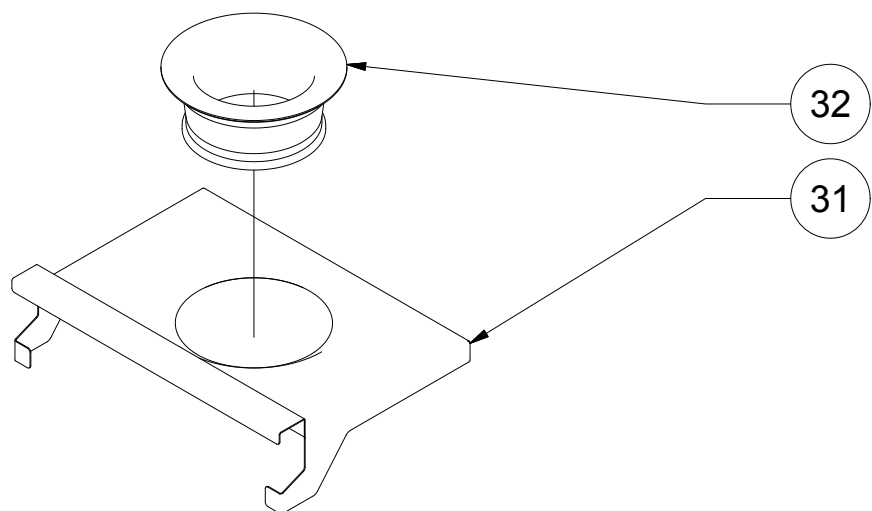


Prod.no.
9F86544400

Trayslide for stacking table L=500

Edition: 2

2017-10

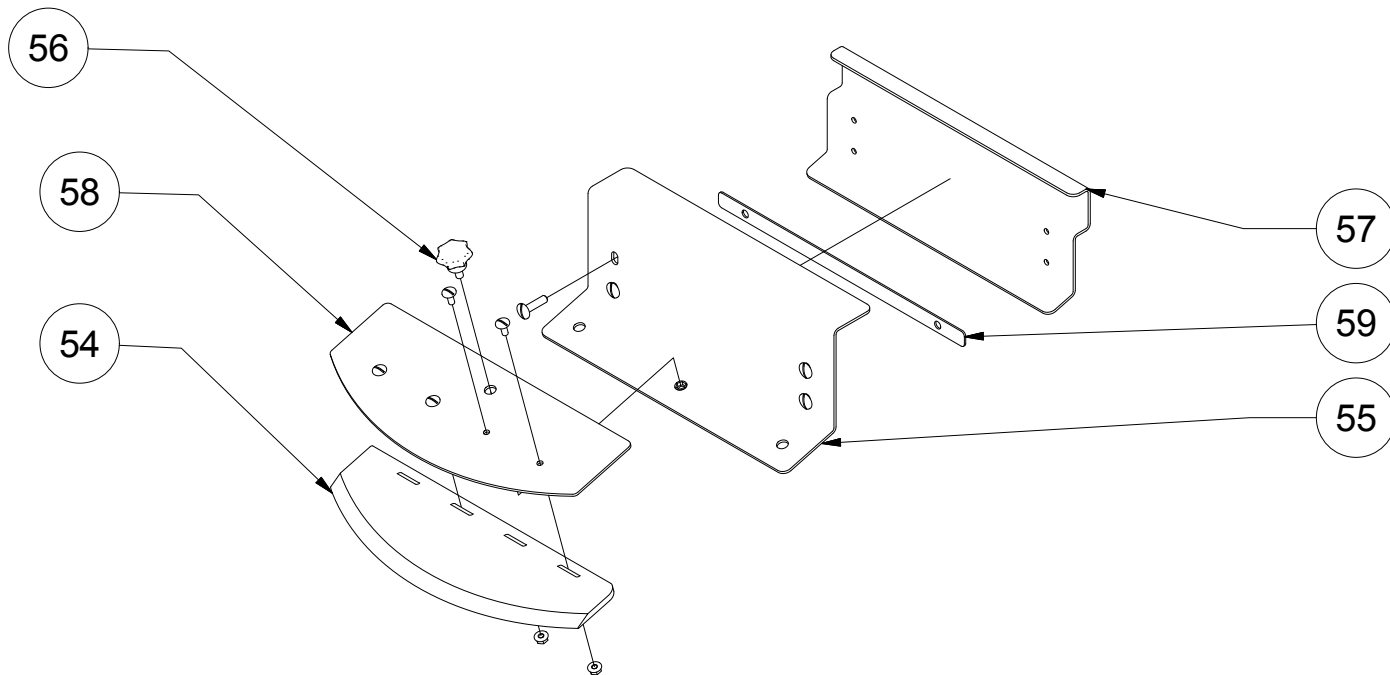


Prod.no.
9F86544500

Trayslide with garbage hole L=500

Edition: 2

2017-10

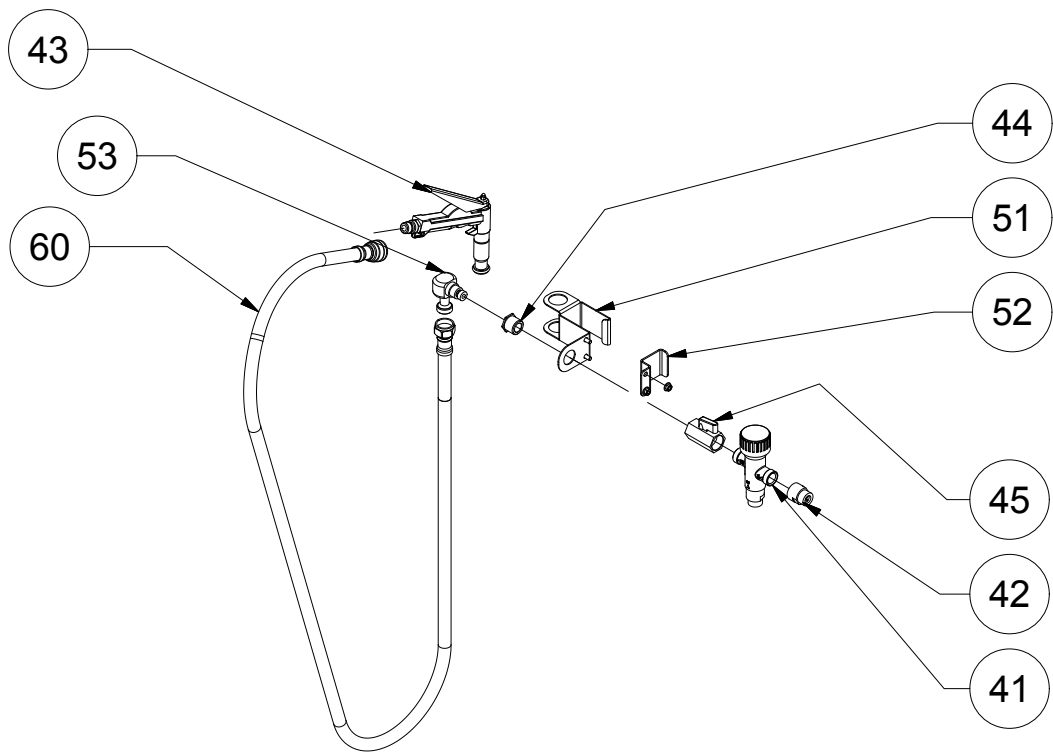


Prod.no.
9F86544700

Waste Scraper

Edition: 2

2017-10

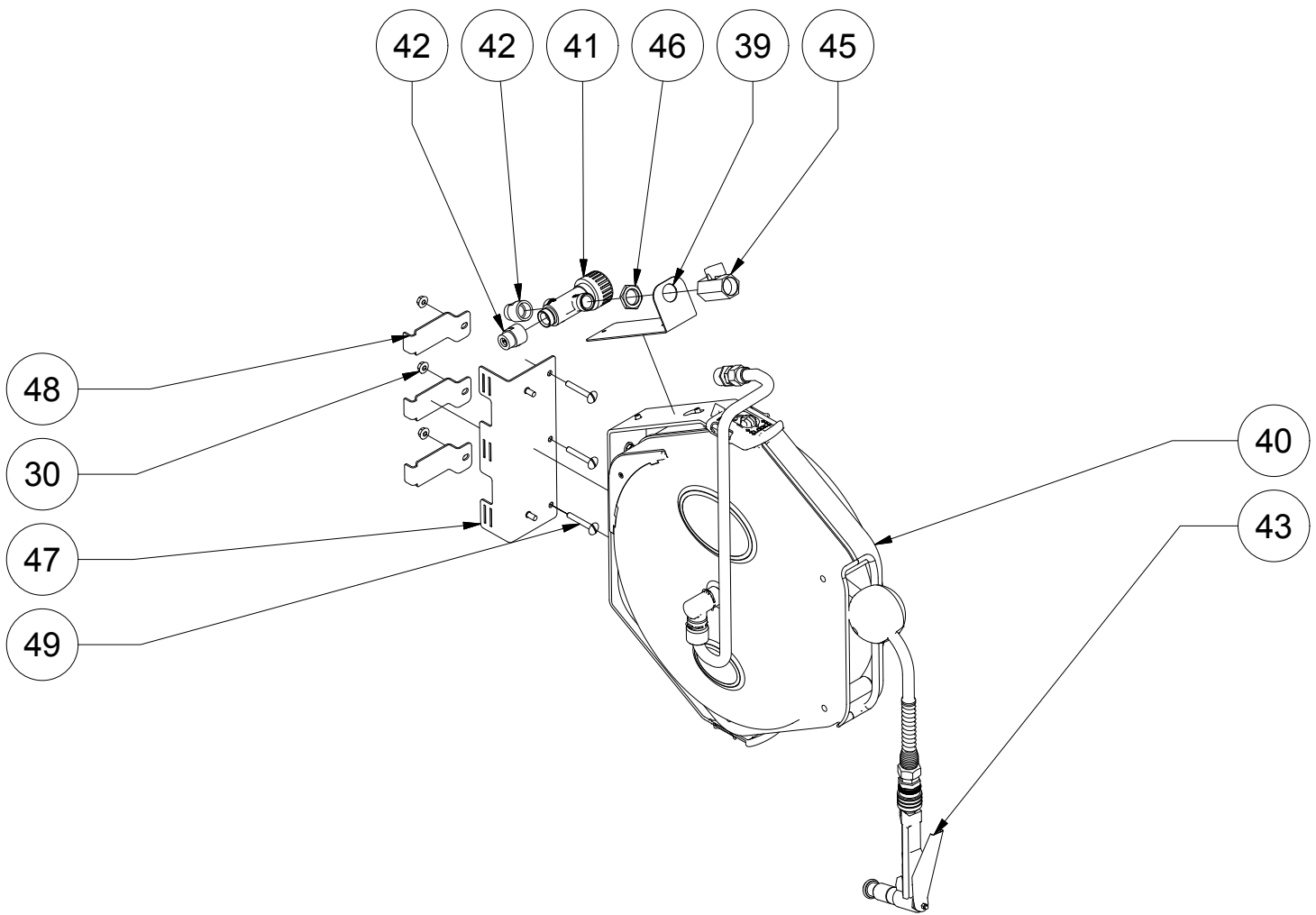


Prod.no.
9F86544300

Pre-rinse unit with fixed thermostatic water 1.5m

Edition: 1

2017-08



Prod.no.
9F86546000

Pre-rinse unit with fixed thermostatic water 14m

Edition: 2

2017-10

29	9F865 437-00	Bracket for Tray Slide			
28	9F865208-00	Basket support			
27	ST1 20 88-13	Basin Cpl, Thru Front Cnct L>R 3 Rack Basin Cpl, Thru Front Cnct R>L 3 Rack			865297 865293
26	ST1 19 19-13	Basin Cpl, 3 Rack Front Connection L>R Basin Cpl, 4 Rack Front Connection L>R Basin Cpl, 5 Rack Front Connection L>R Basin Cpl, 3 Rack Front Connection R>L Basin Cpl, 4 Rack Front Connection R>L Basin Cpl, 5 Rack Front Connection R>L			865294 865295 865296 865261 865262 865292
25	ST1 19 22-01	Stand, Stack Table Front Connectn. L>R			
24	ST1 18 05-00	Connection Plate			
23	520 15 76-00	Foldable console			
22	ST1 21 24-00	Bracket Cpl, Tray Slide Pass Thru			
21	ST1 21 11-00	Leg Bracket, Foldable Tray Slide			
20	ST1 21 09-00	Bracket, Right, Foldable Tray Slide			
19	ST1 21 09-01	Bracket, Left, Foldable Tray Slide			
18	ST1 21 22-03	Foldable Tray Slide Pass Thru 3 Rack			
17	ST1 20 61-13	StackTbl Through L>R Basin Cpl 3 Rack StackTbl Through R>L Basin Cpl 3 Rack			865464 865468
16	ST1 19 14-01	Stand Back Cpl, Stack Table L>R			
15	476 84 47-00	Drainconnection 1½"			
14	ST1 19 06-13 ST1 19 06-14 ST1 19 06-15 ST1 19 06-03 ST1 19 06-04 ST1 19 06-05	Stack Table L>R, Basin Cpl, 3 Rack Stack Table L>R, Basin Cpl, 4 Rack Stack Table L>R, Basin Cpl, 5 Rack Stack Table R>L, Basin Cpl, 3 Rack Stack Table R>L, Basin Cpl, 4 Rack Stack Table R>L, Basin Cpl, 5 Rack			865204, 865461 865205, 865462 865206, 865463 865257, 865465 865258, 865466 865259, 865467
13	ST1 17 72-03 ST1 17 72-04 ST1 17 72-05	Mid Support, Stack Table, 3 Racks Mid Support, Stack Table, 4 Racks Mid Support, Stack Table, 5 Racks			865257,865204,865261,865294 865260,865207,865293,865297 865258, 865205,865262,865295 865258,865205,865262,865295
12	ST1 19 11-00	Grid, Stack Table			
11	ST0 33 76-00	Foot cpl.			
10	ST1 19 13-01	Stand Front Cpl, Stack Table L>R			
9	ST0 33 59-00	Snap on			
8	428 02 89-00	Strainer plate Ø114			
7	520 15 76-00	Foldable console			
6	ST1 21 11-00	Leg Bracket, Foldable Tray Slide			
5	ST1 21 09-01	Bracket, Left, Foldable Tray Slide			
4	ST1 21 09-00	Bracket, Right, Foldable Tray Slide			
3	ST1 21 07-03	Foldable Tray Slide, 3 Rack			
2	ST0 33 90-00	Strainer basket			
1	4914854-04	Long roller			
Pos.	Art. No.	Description	From	To	Note

73	ST1 22 10-00	Basket Support			
72	520 27 51-00	Screw, carrier			
71	520 27 52-00	Carrier			
70	ST1 22 07-03	Feeding Arm, Weld, Pass Thru 3 Racks			
69	ST1 21 16-00	Flow Return Cpl, DW-dr. Stack Table			
68	520 27 51-00	Screw, carrier			
67	520 27 52-00	Carrier			
66	ST1 18 87-03	Feeding arm, Weld Assy, 3 Racks			
65	ST1 06 17-00	Support			
64	ST1 18 91-00	Slide Sheet, DW driven Stack Table			
63	ST1 18 92-00	Slide Sheet Bracket, DW dr. Stack Table			
62	ST1 18 85-03	Mid bracket, DW dr. Stack Table, 3 Rack			
61	ST1 18 75-01	Plug Ø=6,4			
60	ST0 89 71-00	Mounted hose 1,5 m			
59	ST1 22 40-00	Washer, Waste scraper			
58	ST1 22 18-00	Attachment, Waste scraper			
57	ST1 22 16-00	Attachment, waste scraper part 2			
56	ST0 99 10-00	Star knob Ø25 M5x10			
55	ST1 22 15-00	Attachment, waste scraper part 1			
54	ST2 21 34-03	Scraper			
53	ST0 89 70-00	Swivel			
52	ST1 21 28-00	Bracket			
51	ST1 21 27-00	Bracket			
50	ST1 18 93-00	Tray Slide L=500			
49	725 23 76-40	Screw M6S 6x35			
48	ST1 22 34-00	Attachment hose reel part 2			
47	ST1 22 33-00	Attachment hose reel part 1			
46	741 11 13-24	Pipe nut ½"			
45	ST1 21 29-00	Ball valve ½"			
44	741 41 08-20	Bussning ½" utv - ¼" inv			
43	428 09 33-00	Hand held sprayer			
42	428 14 71-00	Non return valve ½"			
41	ST0 51 64-00	Mixing valve			
40	ST1 22 38-00	Hoose reel 14m			
39	ST1 22 35-00	Attachment mixer hoose reel			
38	ST1 20 93-03	Plain Upper Shelf, Through, 3 Rack			
37	ST1 20 69-03	Plain Upper Shelf Cpl, 3 Rack			
36	ST1 20 97-03	Tray Slide, Pass Through 3 Rack R>L			865293
	ST1 20 97-13	Tray Slide, Pass Through 3 Rack L<R			865297
35	ST1 20 90-03	Double Upper Shelf, Through, 3 Rack			
34	ST1 18 95-03	Tray Slide, 3 Rack			865433
	ST1 18 95-04	Tray Slide, 4 Rack			865434
	ST1 18 95-05	Tray Slide, 5 Rack			865435
33	ST1 18 63-03	Double Upper Shelf Cpl, 3 Rack			
32	ST0 58 37-00	Rubber ring			
31	ST1 20 85-00	Tray Slide, garbage hole L=500			
30	552 21 21-03	Flange nut M6			
Pos	Art. No.	Description	From	To	Note

