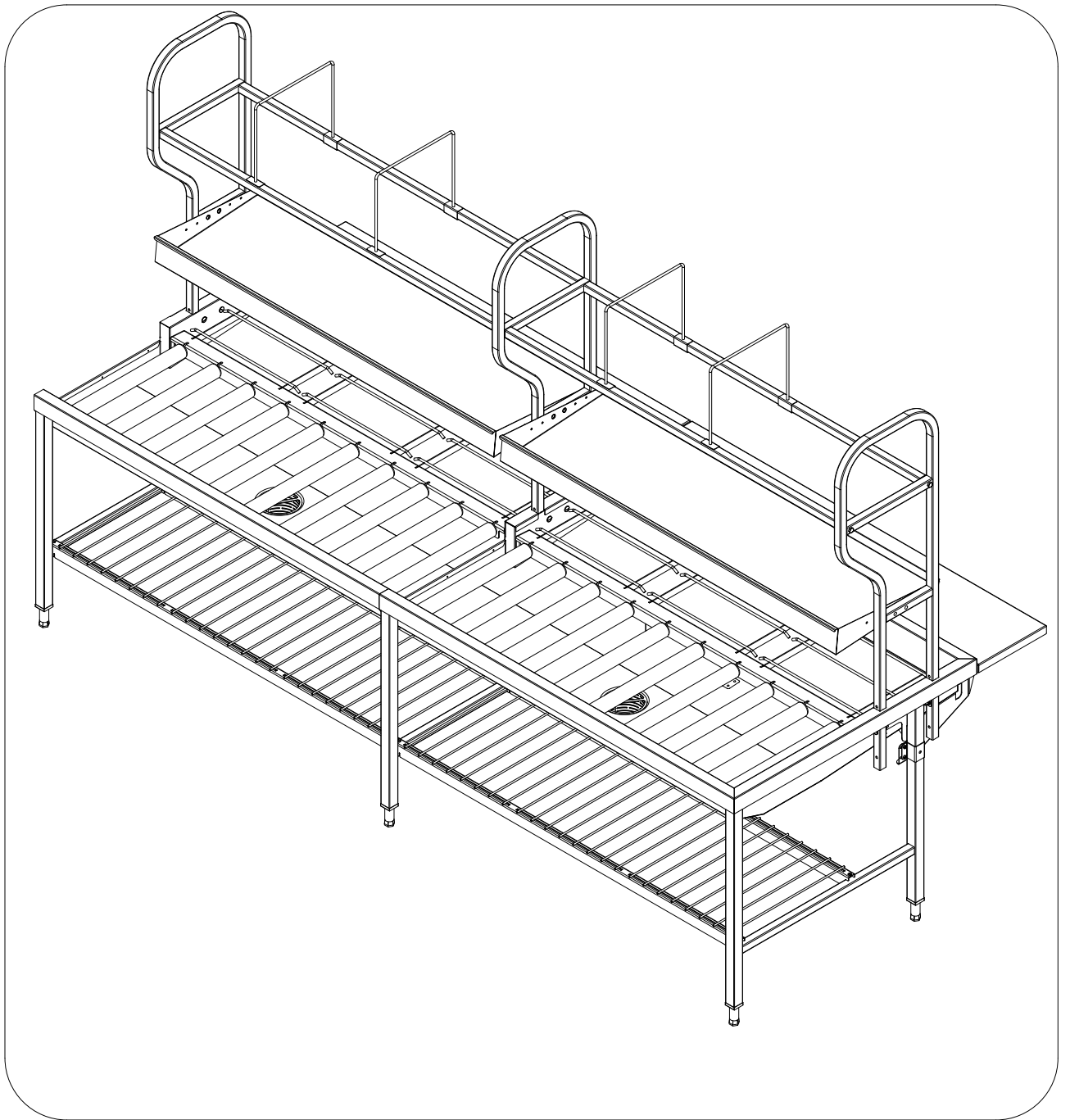


Spare part list



MANUAL STACKING TABLE DW DRIVEN STACKING TABLE



DOC. NO. **ST11793-60**
EDITION 3 2017.12

- **Manual stacking table, Side connection** 3

- **Manual pass trough stacking table, Side connection** 4

- **Manual stacking table, Front connection** 5

- **Manual pass trough stacking table, Front connection** 6

- **DW driven stacking table** 7

- **DW driven pass trough stacking table** 8

- **Overshelves**

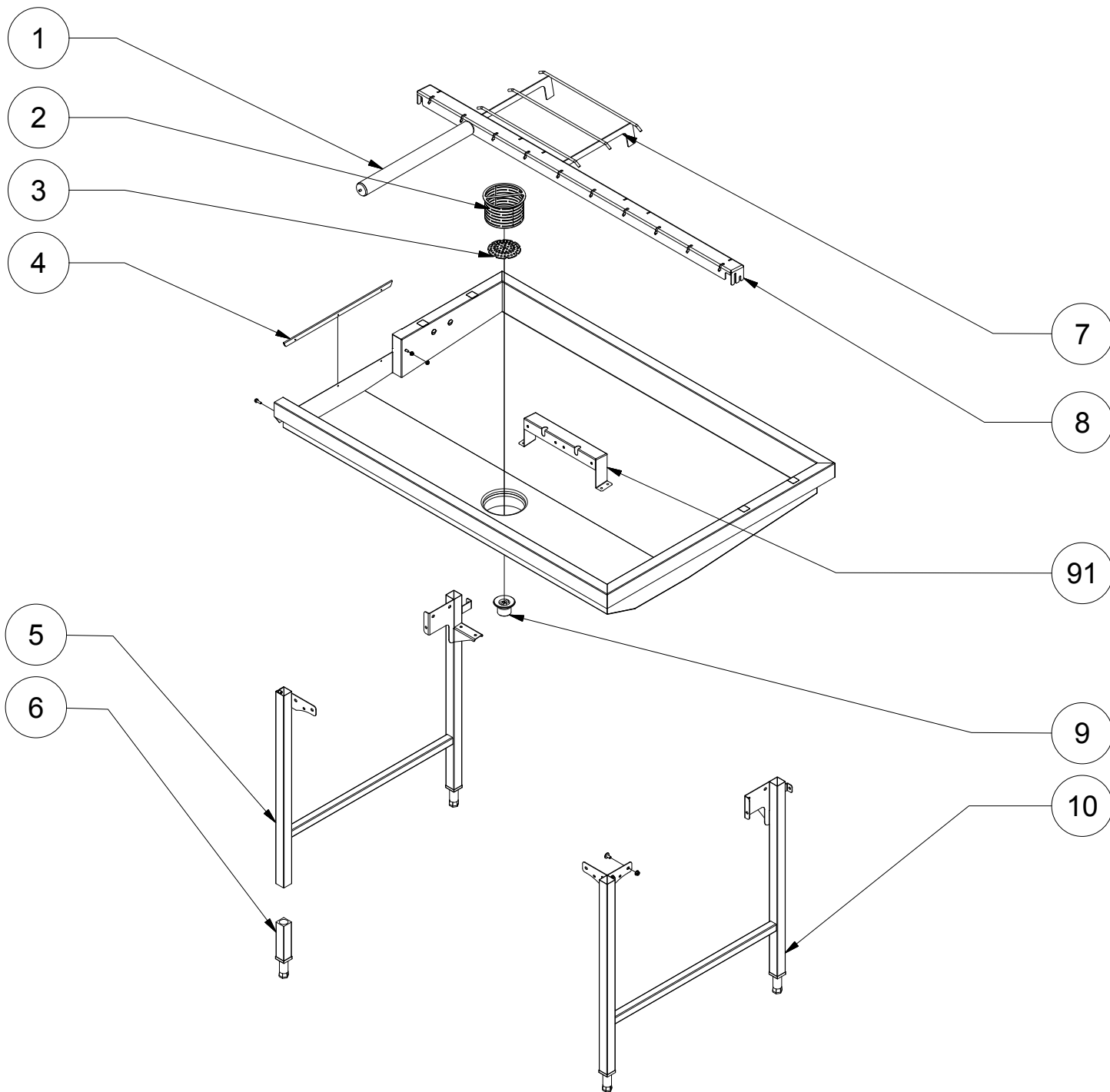
	Single	9
	Dubble	10

- **Trayslides**

	Foldable	11
	Fixed	12-13

- **Accessories** 14-18

- **Parts list** 19-21



Prod.no.

9F86520400

9F86520500

9F86520600

9F86525700

9F86525800

9F86525900

Man. stacking table, 3 baskets L<R operated

Man. stacking table, 4 baskets L<R operated

Man. stacking table, 5 baskets L<R operated

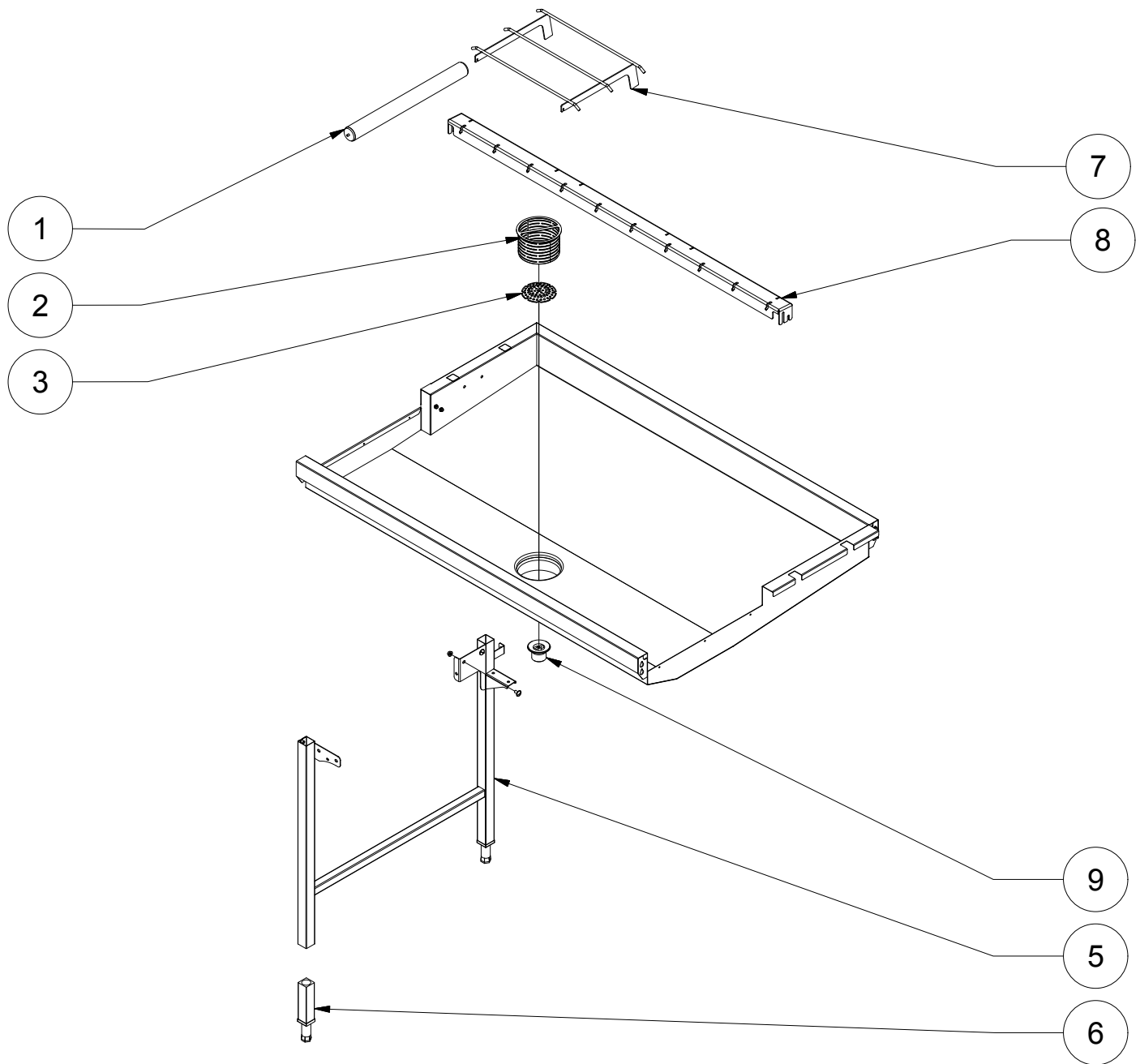
Man. stacking table, 3 baskets R<L operated

Man. stacking table, 4 baskets R<L operated

Man. stacking table, 5 baskets R<L operated

Edition: 3

2017-12



Prod.no.

9F86520700

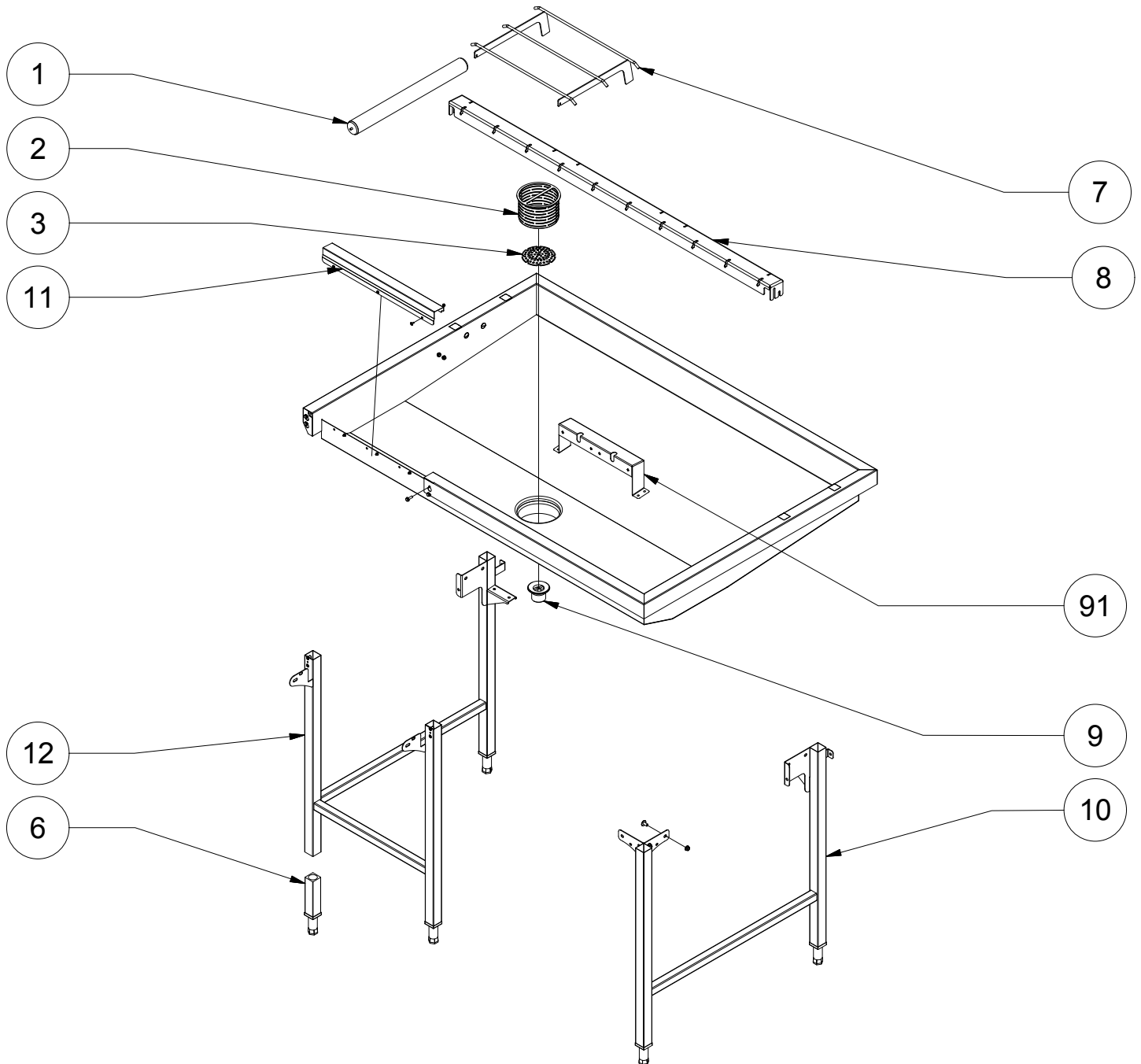
9F86526000

Man.pass thru st. table, 3 baskets L<R operated

Man.pass thru st. table, 3 baskets R<L operated

Edition: 3

2017-12



Prod.no.

9F86526100

9F86526200

9F86529200

9F86529400

9F86529500

9F86529600

Man. stacking table, 3 baskets L<R operated

Man. stacking table, 4 baskets L<R operated

Man. stacking table, 5 baskets L<R operated

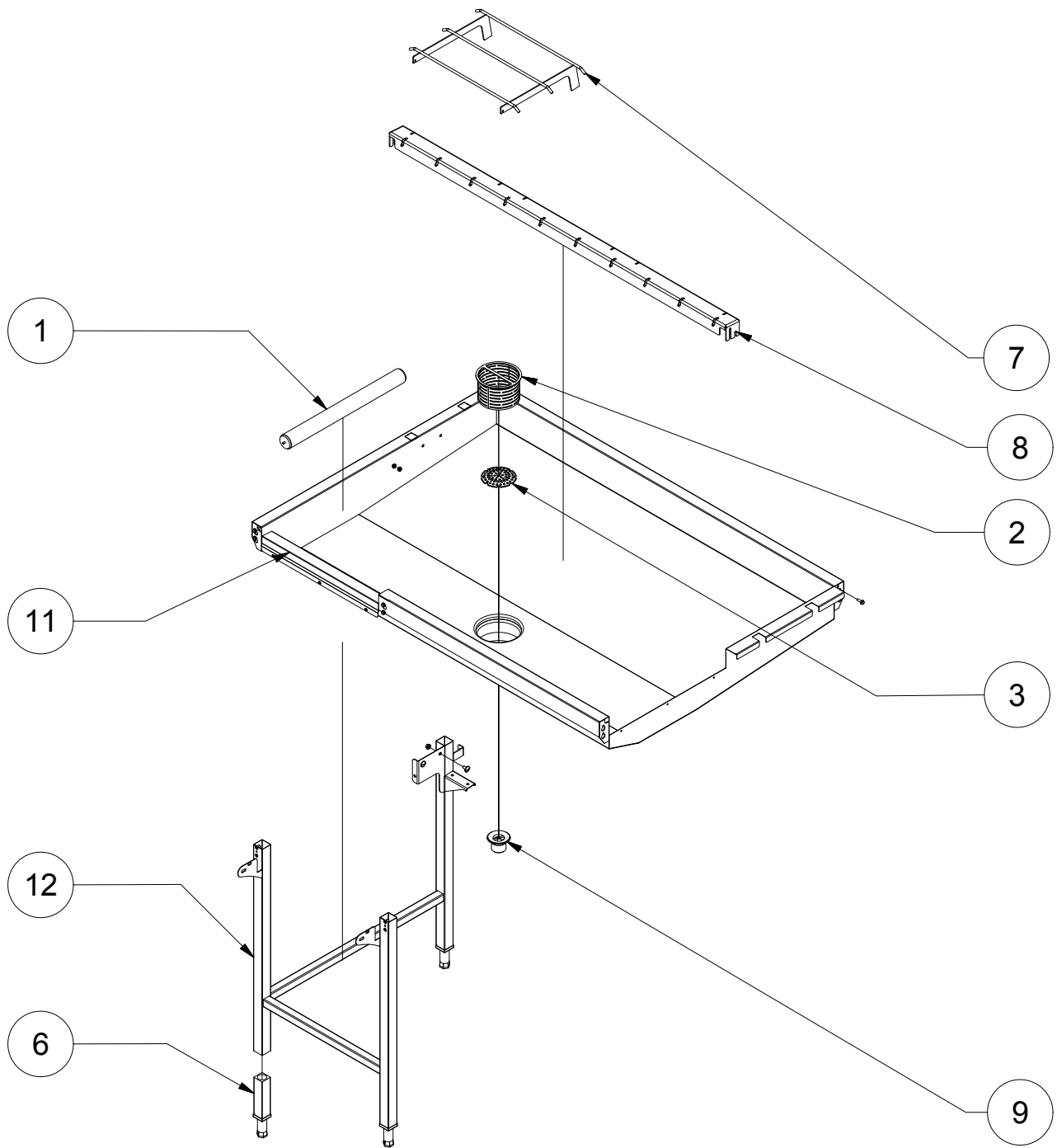
Man. stacking table, 3 baskets R<L operated

Man. stacking table, 4 baskets R<L operated

Man. stacking table, 5 baskets R<L operated

Edition: 3

2017-12



Prod.no.

9F86529300

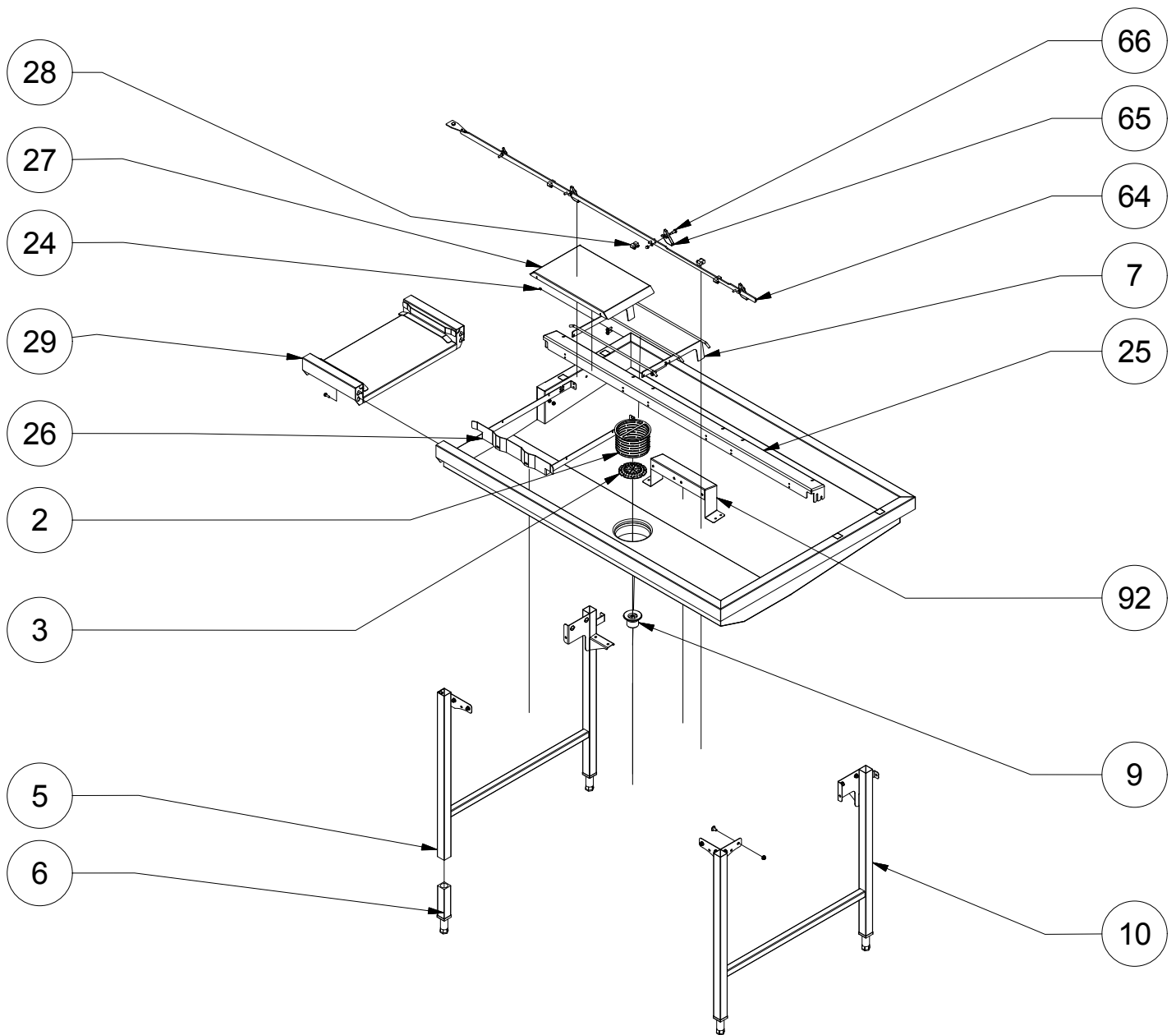
9F86529700

Man.pass thru st. table, 3 baskets L<R operated

Man.pass thru st. table, 3 baskets R<L operated

Edition: 3

2017-12

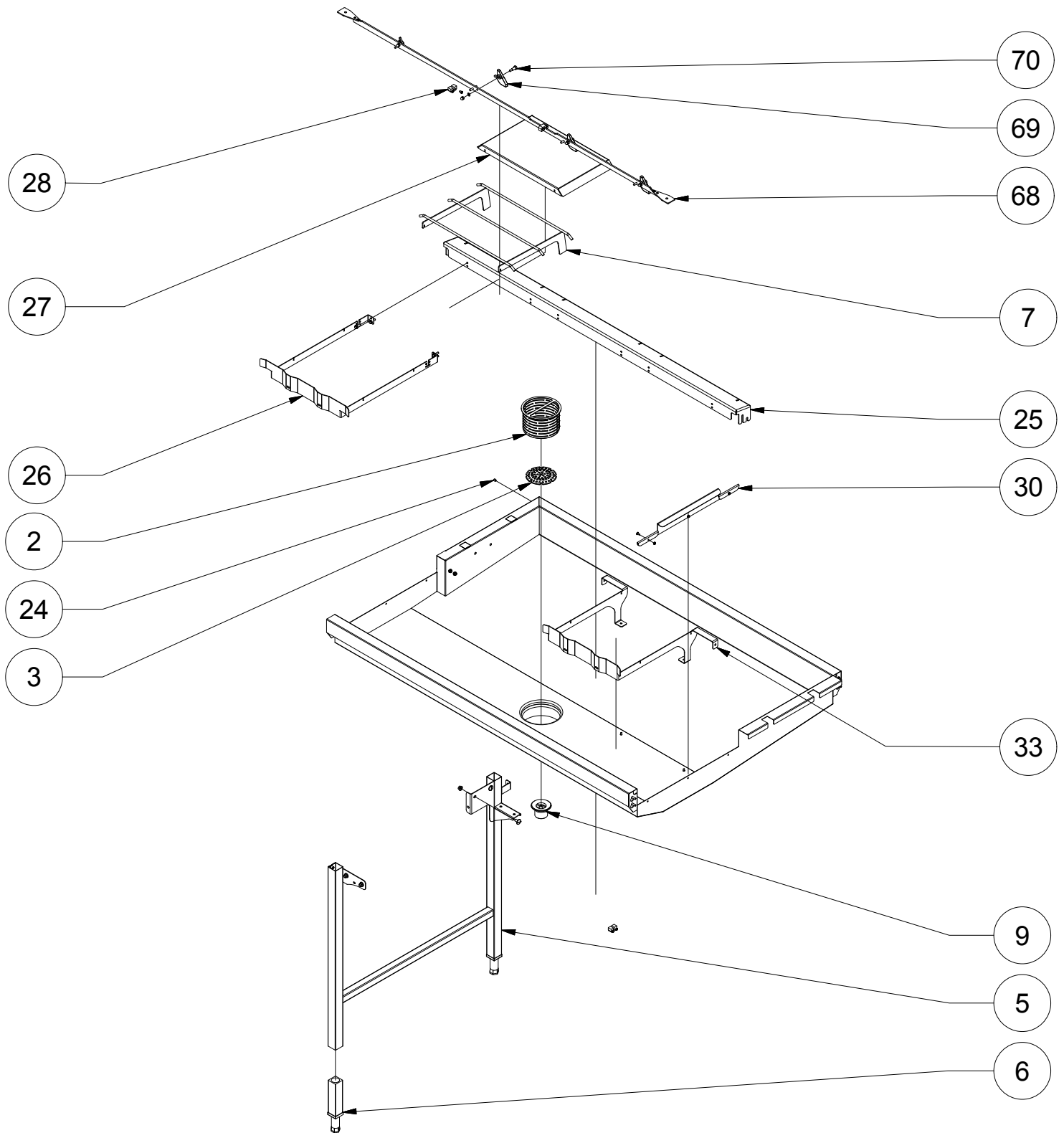


Prod.no.
 9F865461
 9F865462
 9F865463
 9F865465
 9F865466
 9F865467

DW-driven stacking table, 3 baskets L<R
 DW-driven stacking table, 4 baskets L<R
 DW-driven stacking table, 5 baskets L<R
 DW-driven stacking table, 4 baskets R<L
 DW-driven stacking table, 5 baskets R<L
 DW-driven stacking table, 3 baskets R<L

Edition: 3

2017-12

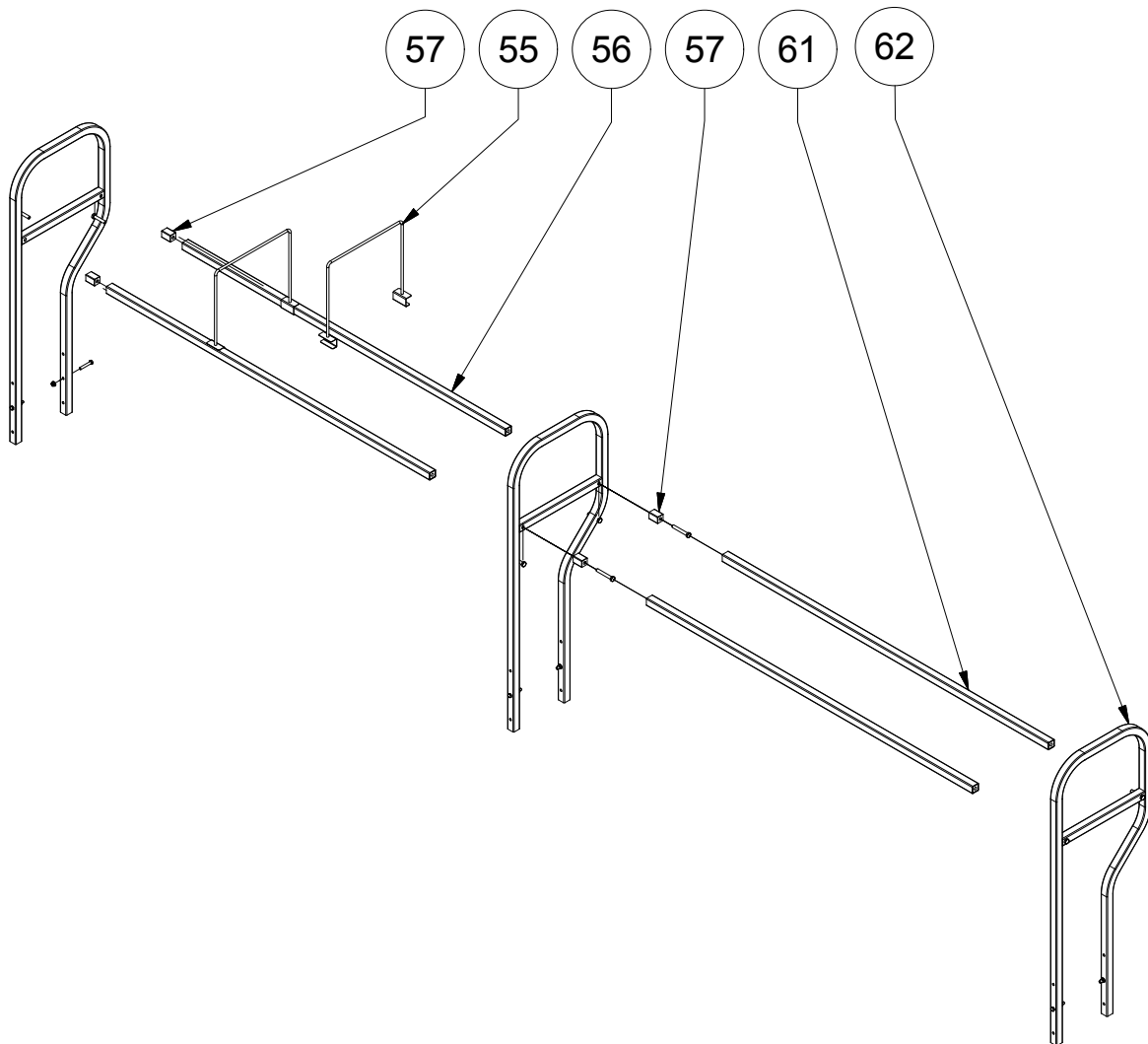


Prod.no.
 9F865464
 9F865468

DW-drive pass thru st. table, 3 baskets L<R
 DW-drive pass thru st. table, 3 baskets R<L

Edition: 3

2017-12



Prod.no.

9F86542900

9F86543000

9F86543100

9F86543200

Overshelf, empty basket storage 3 baskets

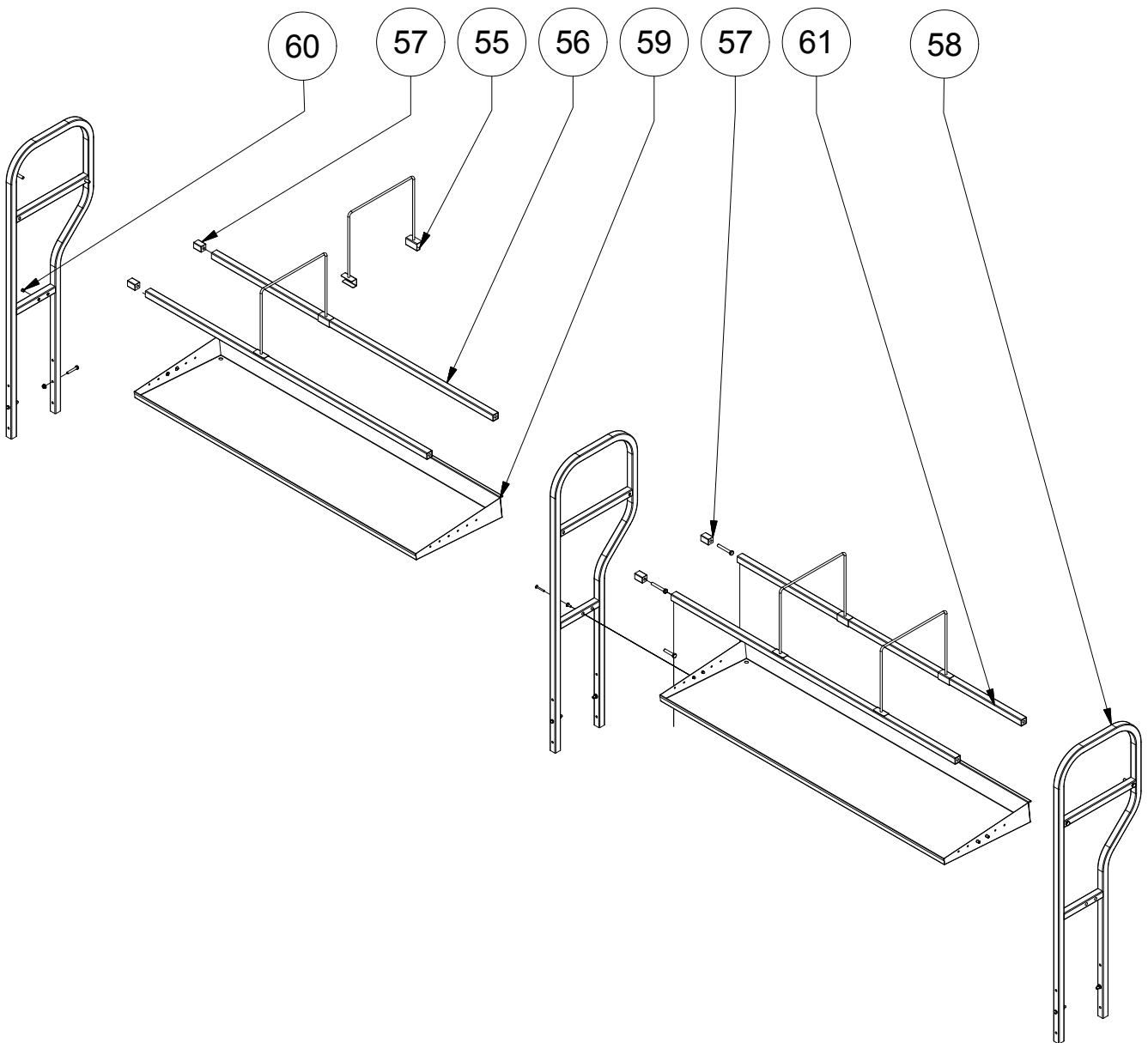
Overshelf, empty basket storage 4 baskets

Overshelf, empty basket storage 5 baskets

Overshelf, empty basket storage 3 baskets

Edition: 3

2017-12



Prod.no.

9F86529800

9F86529900

9F86542700

9F86542800

Overshelf, empty basket storage 3 baskets

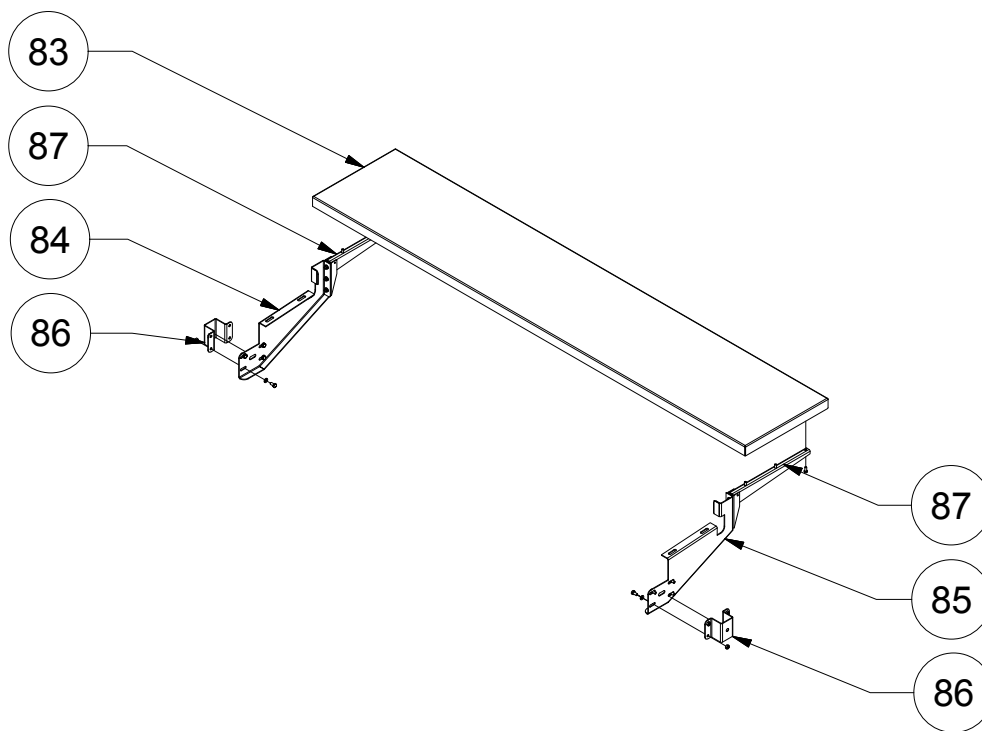
Overshelf, empty basket storage 4 baskets

Overshelf, empty basket storage 5 baskets

Overshelf, empty basket storage 3 baskets

Edition: 3

2017-12



Prod.no.

9F86545400

Foldable Trayslide for stacking table 3-baskets

9F86545500

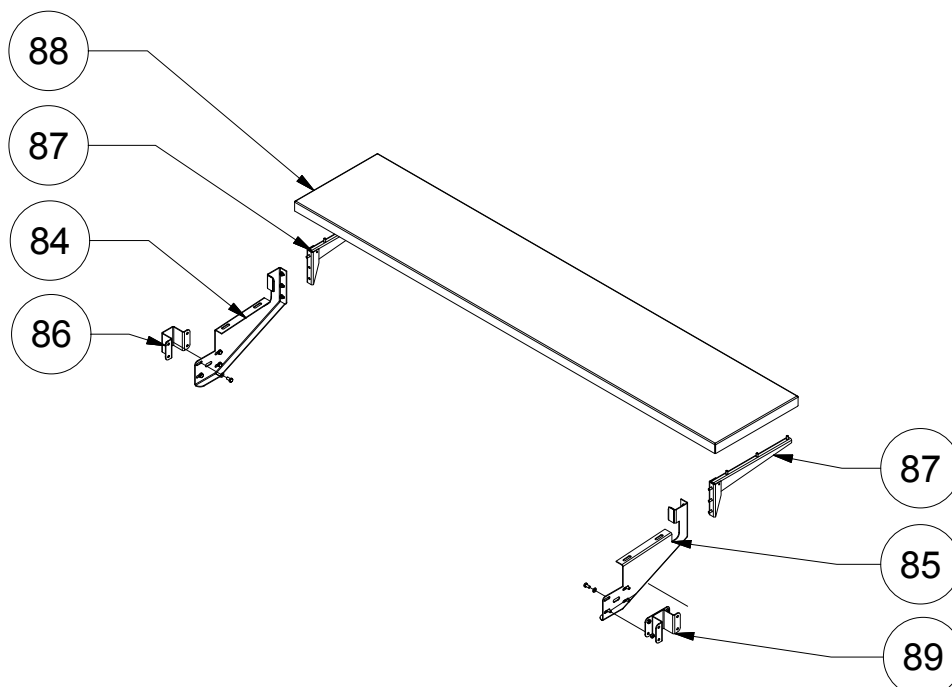
Foldable Trayslide for stacking table 4-baskets

9F86545600

Foldable Trayslide for stacking table 5-baskets

Edition: 2

2017-10



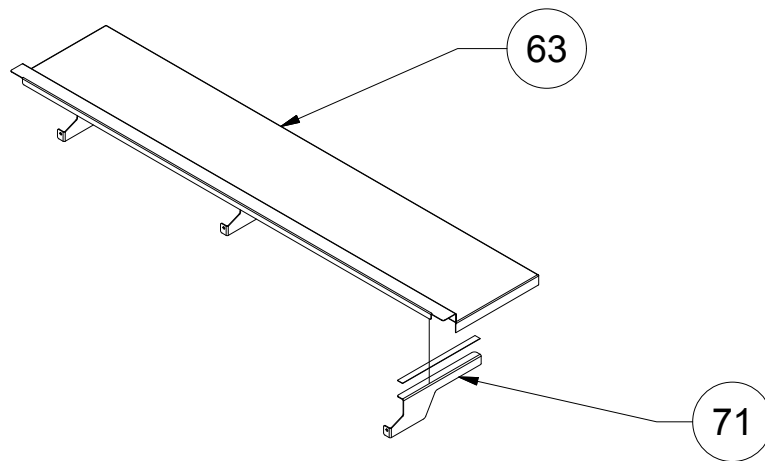
Prod.no.

9F86545700

Foldable Trayslide, pass thru st.table 3-baskets

Edition: 2

2017-10

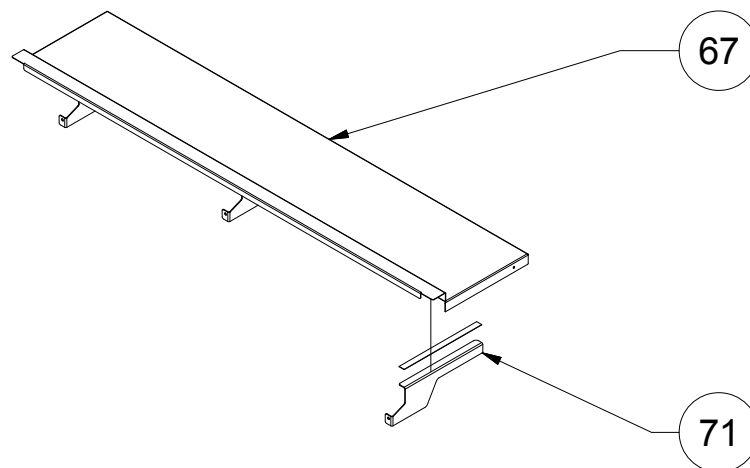


Prod.no.
 9F86543300
 9F86543400
 9F86543500

Trayslide for stacking table 3-baskets
 Trayslide for stacking table 4-baskets
 Trayslide for stacking table 5-baskets

Edition: 2

2017-10

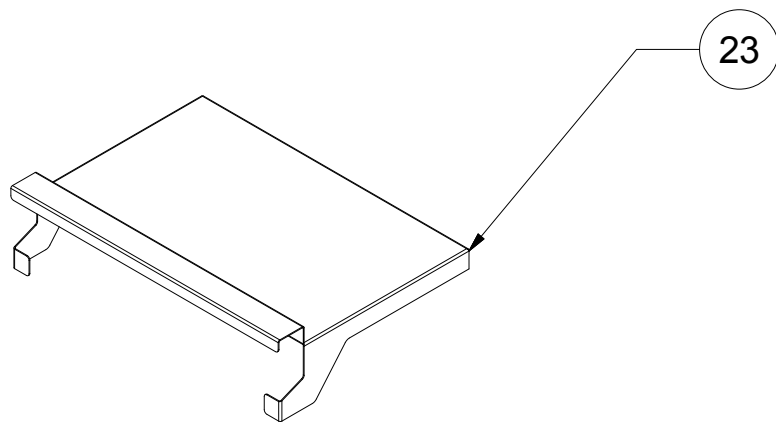


Prod.no.
 9F86543600
 9F86543700

Trayslide for pass thru stacking table 3-baskets
 Tray slide console (3 pcs)

Edition: 2

2017-10

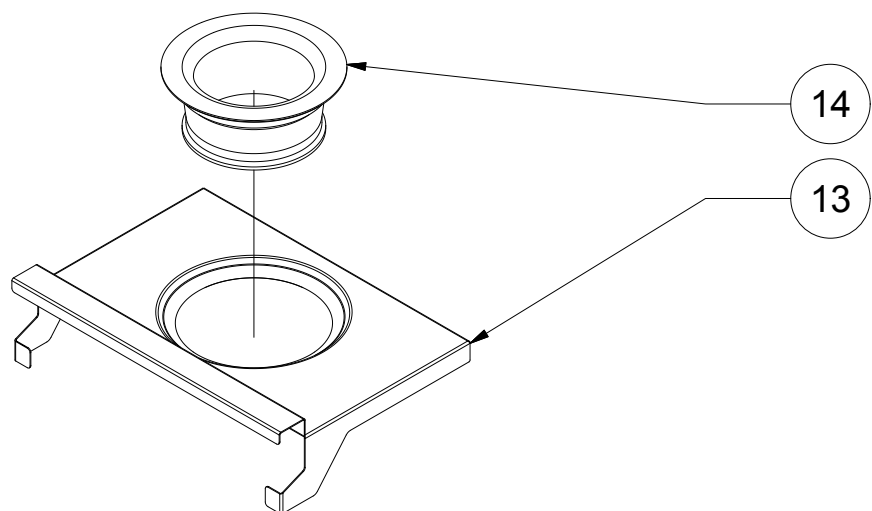


Prod.no.
9F86544400

Trayslide for stacking table L=500

Edition: 2

2017-10

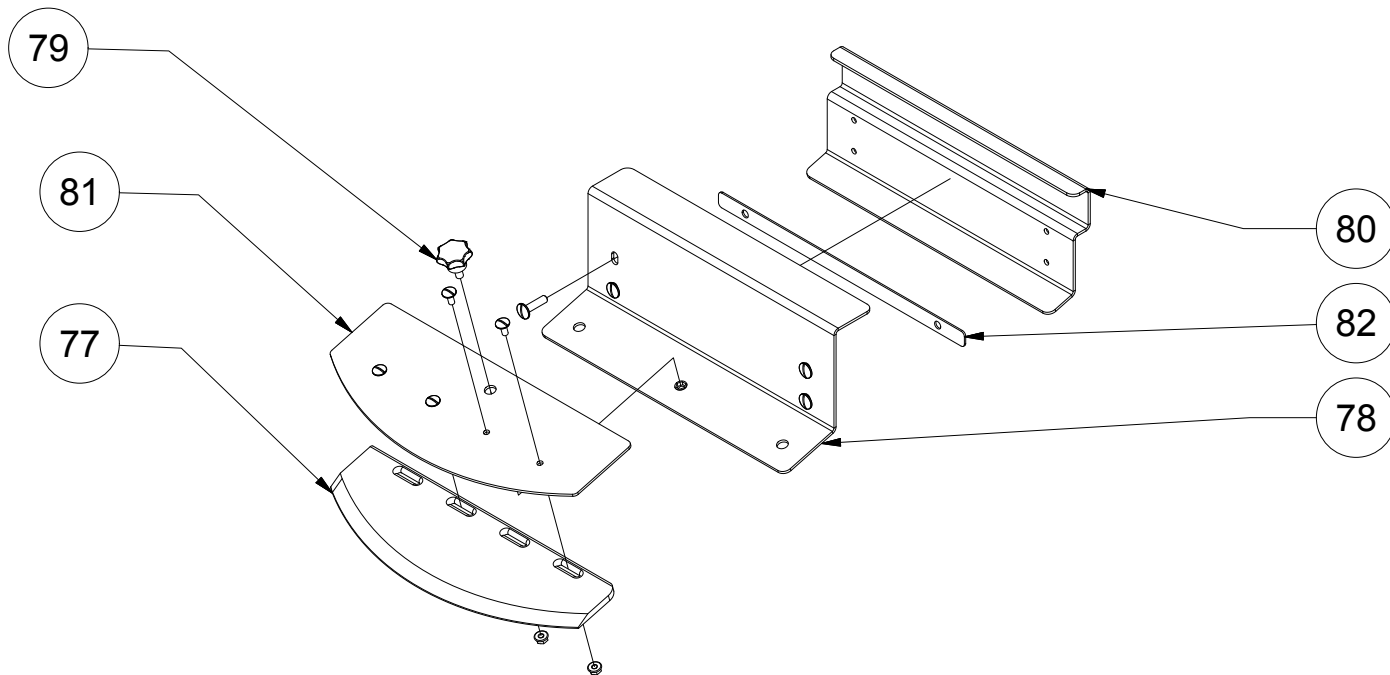


Prod.no.
9F86544500

Trayslide with garbage hole L=500

Edition: 2

2017-10

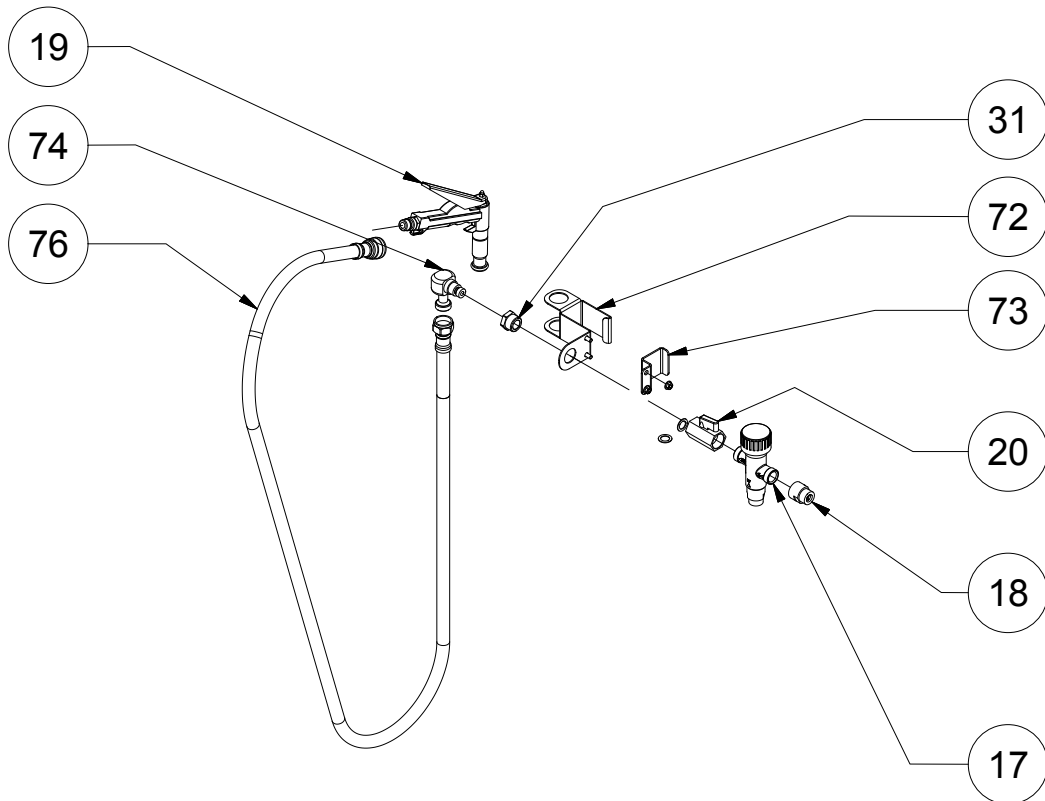


Prod.no.
9F86544700

Waste Scraper

Edition: 2

2017-10

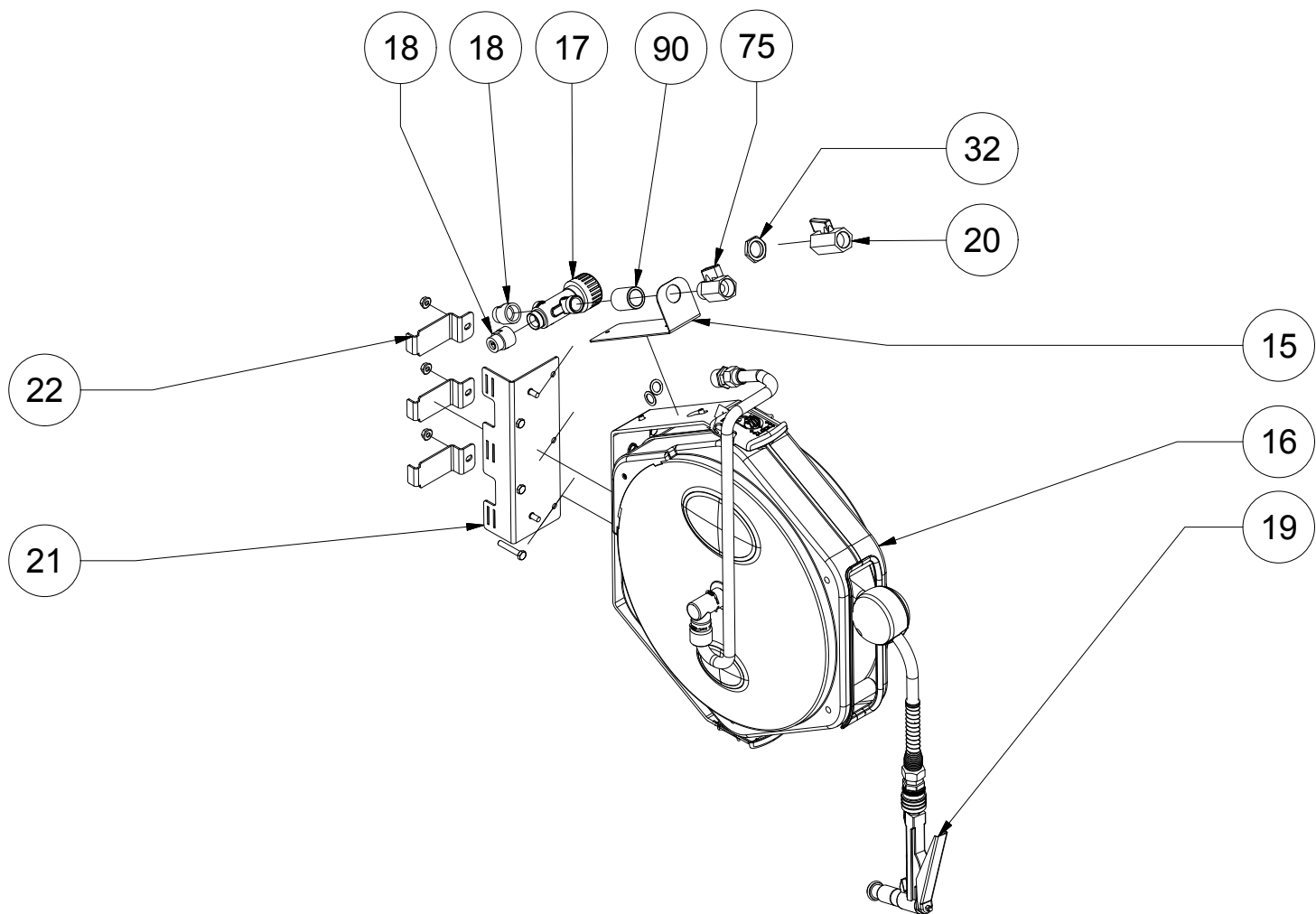


Prod.no.
9F86544300

Pre-rinse unit with fixed thermostatic water 1.5m

Edition: 1

2017-08

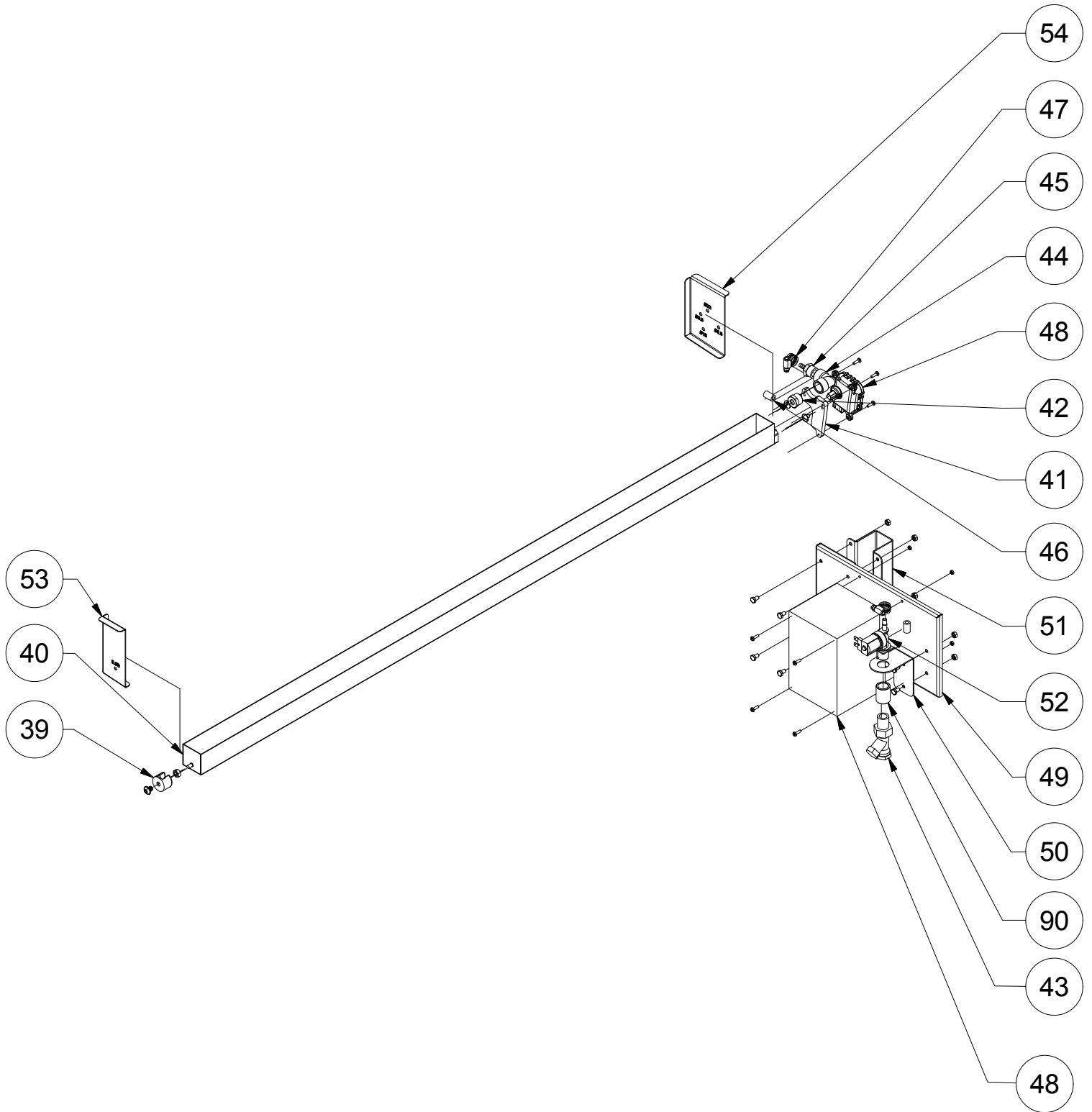


Prod.no.
9F86546000

Pre-rinse unit with fixed thermostatic water 14m

Edition: 3

2017-12

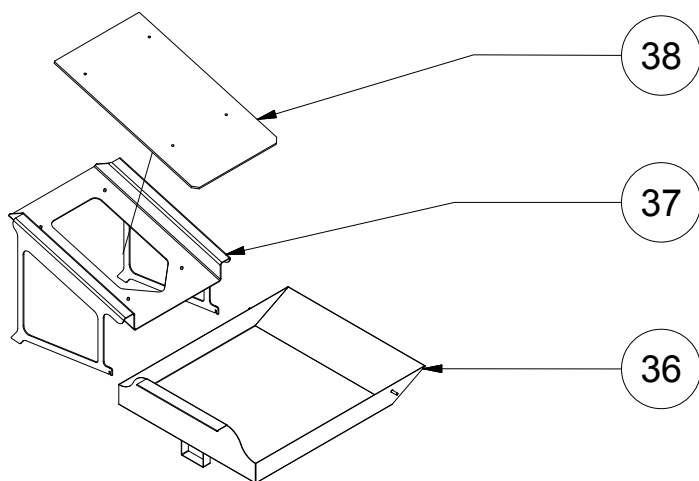


Prod.no.
 9F86544800
 9F86545000
 9F86323100

Automatic Basin Flush, 3 Racks
 Automatic Basin Flush, 4 Racks
 Automatic Basin Flush, 5 Racks

Edition: 1

2017-12

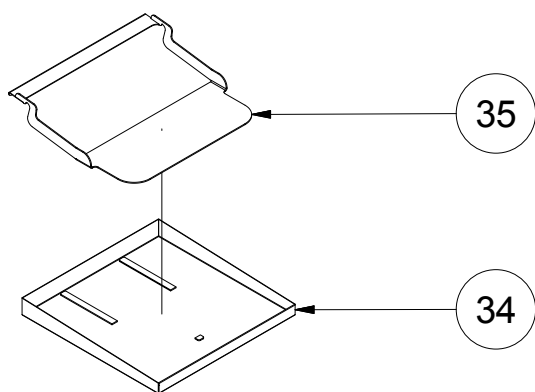


Prod.no.
9F86544200

Soaking Basket for Manual Stack Table

Edition: 1

2017-12



Prod.no.
9F86323000

Soaking Basket for DW driven Stack Table

Edition: 1

2017-12

37	ST1 22 24-01	Slope Slide			
36	ST1 22 20-00	Soaking Basket Cpl			
35	ST1 20 78-00	Basket Lift Cpl			
34	ST1 20 75-00	Soaking Basin Weld			
33	ST1 22 09-00	Slide Sheet Bracket, DWD Thru StackTbl			
32	741 11 13-24	Pipe nut ½"		17-11-07	
31	741 41 08-24	Bussning ½" utv - ¼" inv			
30	ST1 22 10-00	Basket Support			
29	ST1 21 16-00	Flow Return Cpl, DW-dr. Stack Table			
28	ST1 06 17-00	Support			
27	ST1 18 91-00	Slide Sheet, DW driven Stack Table			
26	ST1 18 92-00	Slide Sheet Bracket, DW dr. Stack Table			
25	ST1 18 85-03	Mid bracket, DW dr. Stack Table, 3 Rack			865461, 865465, 865464, 865468
	ST1 18 85-04	Mid bracket, DW dr. Stack Table, 4 Rack			865462, 865466
	ST1 18 85-05	Mid bracket R, DW dr. Stack Table, 5 Rack			865463, 865467
	ST1 18 85-15	Mid bracket L, DW dr. Stack Table, 5 Rack			865463, 865467
24	ST1 18 75-01	Plug Ø=6,4			
23	ST1 18 93-00	Tray Slide L=500			
22	ST1 22 34-00	Attachment hose reel part 2			
21	ST1 22 33-00	Attachment hose reel part 1			
20	ST1 21 29-00	Ball valve ½"			
19	428 09 33-00	Hand held sprayer			
18	428 14 71-00	Non return valve ½"			
17	ST0 51 64-00	Mixing valve			
16	ST1 22 38-00	Hoose reel 14m			
15	ST1 22 35-00	Attachment mixer hoose reel			
14	ST0 58 37-00	Rubber ring			
13	ST1 20 85-00	Tray Slide, garbage hole L=500			
12	ST1 19 22-01	Stand, Stack Table Front Connectn. L>R			
11	ST1 18 05-00	Connection Plate			
10	ST1 19 14-01	Stand Back Cpl, Stack Table L>R			
9	476 84 47-00	Drainconnection 1½"			
8	ST1 17 72-03	Mid Support, Stack Table, 3 Racks			865257,865204,865261,865294 865260,865207,865293,865297
	ST1 17 72-04	Mid Support, Stack Table, 4 Racks			865258, 865205,865262,865295
	ST1 17 72-05	Mid Support, Stack Table, 5 Racks			865258,865205,865262,865295
7	ST1 19 11-00	Grid, Stack Table			
6	ST0 33 76-00	Foot cpl.			
5	ST1 19 13-01	Stand Front Cpl, Stack Table L>R			
4	ST0 33 59-00	Snap on			
3	428 02 89-00	Strainer plate Ø114			
2	ST0 33 90-00	Strainer basket			
1	4914854-04	Long roller			
Pos.	Art. No.	Description	From	To	Note

78	ST1 22 15-00	Attachment, waste scraper part 1			
77	ST2 21 34-03	Scraper			
76	ST0 89 71-00	Mounted hose 1,5 m			
75	475 72 85-02	Ball valve ½"	17-11-07		
74	ST0 89 70-00	Swivel			
73	ST1 21 28-00	Bracket			
72	ST1 21 27-00	Bracket			
71	ST1 19 61-00	Brackets for Tray Slide			
70	520 27 51-00	Screw, carrier			
69	520 27 52-00	Carrier			
68	ST1 22 07-03	Feeding Arm, Weld, Pass Thru 3 Racks			
67	ST1 20 97-03	Tray Slide, Pass Through 3 Rack			
66	520 27 51-00	Screw, carrier			
65	520 27 52-00	Carrier			
64	ST1 18 87-03	Feeding arm, Weld Assy, 3 Racks			865461, 865465
	ST1 18 87-04	Feeding arm, Weld Assy, 4 Racks			865462, 865466
	ST1 18 87-05	Feeding arm, Weld Assy, 5 Racks			865463, 865467
63	ST1 18 95-03	Tray Slide, 3 Rack			865433
	ST1 18 95-04	Tray Slide, 4 Rack			865434
	ST1 18 95-05	Tray Slide, 5 Rack			865435
62	ST1 20 70-00	Gable Cpl, Plain Upper Shelf			
61	ST1 20 91-03	Tube, Upper Shelf, Through, 3 Rack			
60	ST1 18 75-00	Plug			
59	ST1 18 70-03	Lower Upper Shelf, 3 Rack			865298
	ST1 18 70-04	Lower Upper Shelf, 4 Rack			865299
	ST1 18 70-05	Lower Upper Shelf, 5 Rack			865427
58	ST1 18 65-00	Gable Cpl, Double Upper Shelf			
57	ST1 18 64-00	Tube Fitting			
56	ST1 18 66-03	Tube, Upper Shelf, 3 Rack			865298, 865429
	ST1 18 66-04	Tube, Upper Shelf, 4 Rack			865299, 865430
	ST1 18 66-05	Tube, Upper Shelf, 5 Rack			865427, 865431
55	482 24 71-00	Basket support			
54	ST1 23 47-01	Drilling Template Left, Basin Flush			
53	ST1 23 47-00	Drilling Template Right, Basin Flush			
52	ST1 23 46-00	Solenoid Valve			
51	ST1 23 41-00	Bracket			
50	ST1 23 45-00	Valve Bracket			
49	ST1 23 40-00	Bracket for Valve and ECU			
48	ST1 23 25-00	ECU Cpl, Basin Flush			
47	ST0 73 66-05	Hose Clamp 10,5-12,5			
46	ST0 46 28-00	Hose PPE 12x6			
45	552 21 40-18	Hose Nipple G15x1/4" Male			
44	742 11 13-20	Elbow 90° ½"			
43	ST02892-00	Radiator coupling 1/2"			
42	ST0 59 84-10	Bush 1/2-1/8" ss			
41	ST1 23 38-00	Motor Bracket, Basin Flush			
40	ST1 23 43-03	Container Cpl 3,1 l, Basin Flush 3 Racks			865448
	ST1 23 43-04	Container Cpl 4,2 l, Basin Flush 4 Racks			865450
	ST1 23 43-05	Container Cpl 5,2 l, Basin Flush 5 Racks			863231
39	491 44 43-00	Attachment			
38	ST1 22 89-00	Slide Plane			
Pos.	Art. No.	Description	From	To	Note

92	ST1 22 13-00	Reinforcement, DW-driven Stack Table			
91	ST1 20 84-00	Reinforcement, Mid Support, Stack Table			
90	741 21 13-20	Sleeve ½"	17-11-07		
89	ST1 21 24-00	Bracket Cpl, Tray Slide Pass Thru			
88	ST1 21 22-03	Foldable Tray Slide Pass Thru 3 Rack			
87	520 15 76-00	Foldable console			
86	ST1 21 11-00	Leg Bracket, Foldable Tray Slide			
85	ST1 21 09-01	Bracket, Left, Foldable Tray Slide			
84	ST1 21 09-00	Bracket, Right, Foldable Tray Slide			
83	ST1 21 07-03	Foldable Tray Slide, 3 Rack			865454
	ST1 21 07-04	Foldable Tray Slide, 4 Rack			865455
	ST1 21 07-05	Foldable Tray Slide, 5 Rack			865456
82	ST1 22 40-00	Washer, Waste scraper			
81	ST1 22 18-00	Attachment, Waste scraper			
80	ST1 22 16-00	Attachment, waste scraper part 2			
79	ST0 99 10-00	Star knob Ø25 M5x10			
Pos.	Art. No.	Description	From	To	Note

