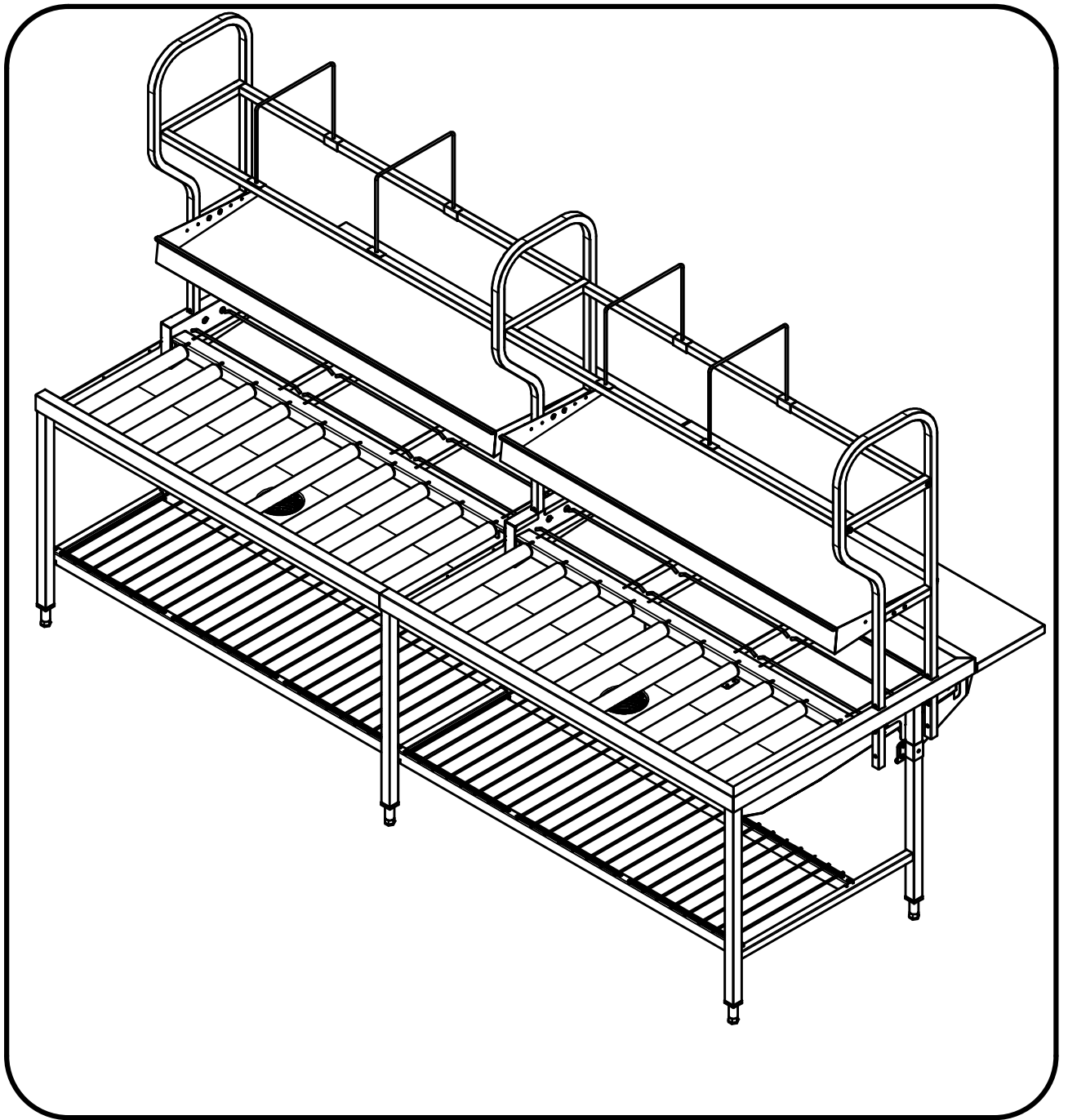


Spare part list

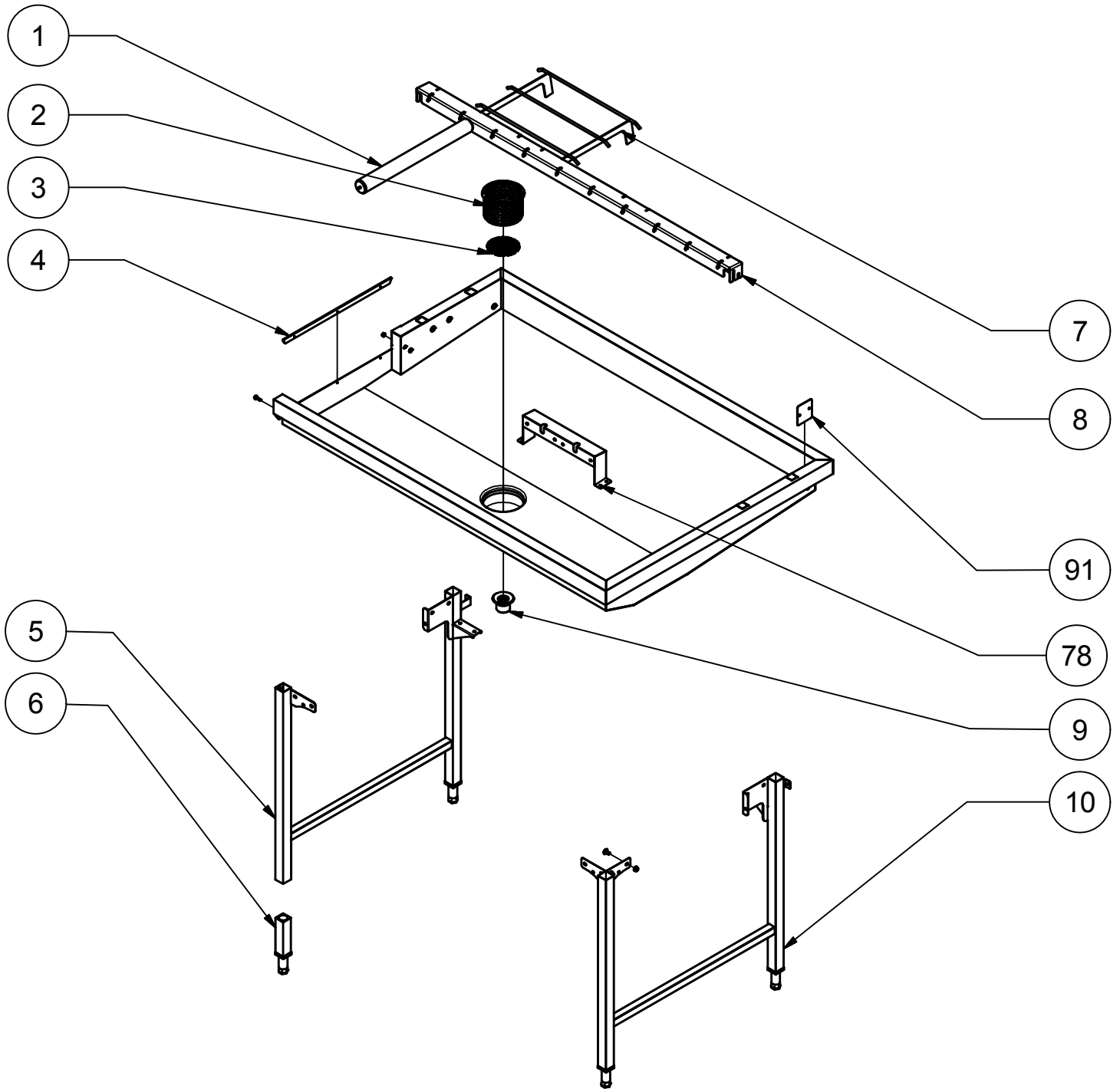


MANUAL STACKING TABLE DW DRIVEN STACKING TABLE



DOC. NO. ST11793-60
EDITION 4 2018.03

| | | |
|--|---|--|
| <ul style="list-style-type: none"> • Manual stacking table, Side connection • Manual pass trough stacking table, Side connection • Manual stacking table, Front connection • Manual pass trough stacking table, Front connection • DW driven stacking table • DW driven pass trough stacking table • Overshelves • Trayslides • Accessories • Parts list | <ul style="list-style-type: none"> Single Dubble Foldable Fixed | <ul style="list-style-type: none"> 3 4 5 6 7 8 9 10 11 12-13 14-18 19-21 |
|--|---|--|



Prod.no.

9F86520400

9F86520500

9F86520600

9F86525700

9F86525800

9F86525900

Man. stacking table, 3 baskets L<R operated

Man. stacking table, 4 baskets L<R operated

Man. stacking table, 5 baskets L<R operated

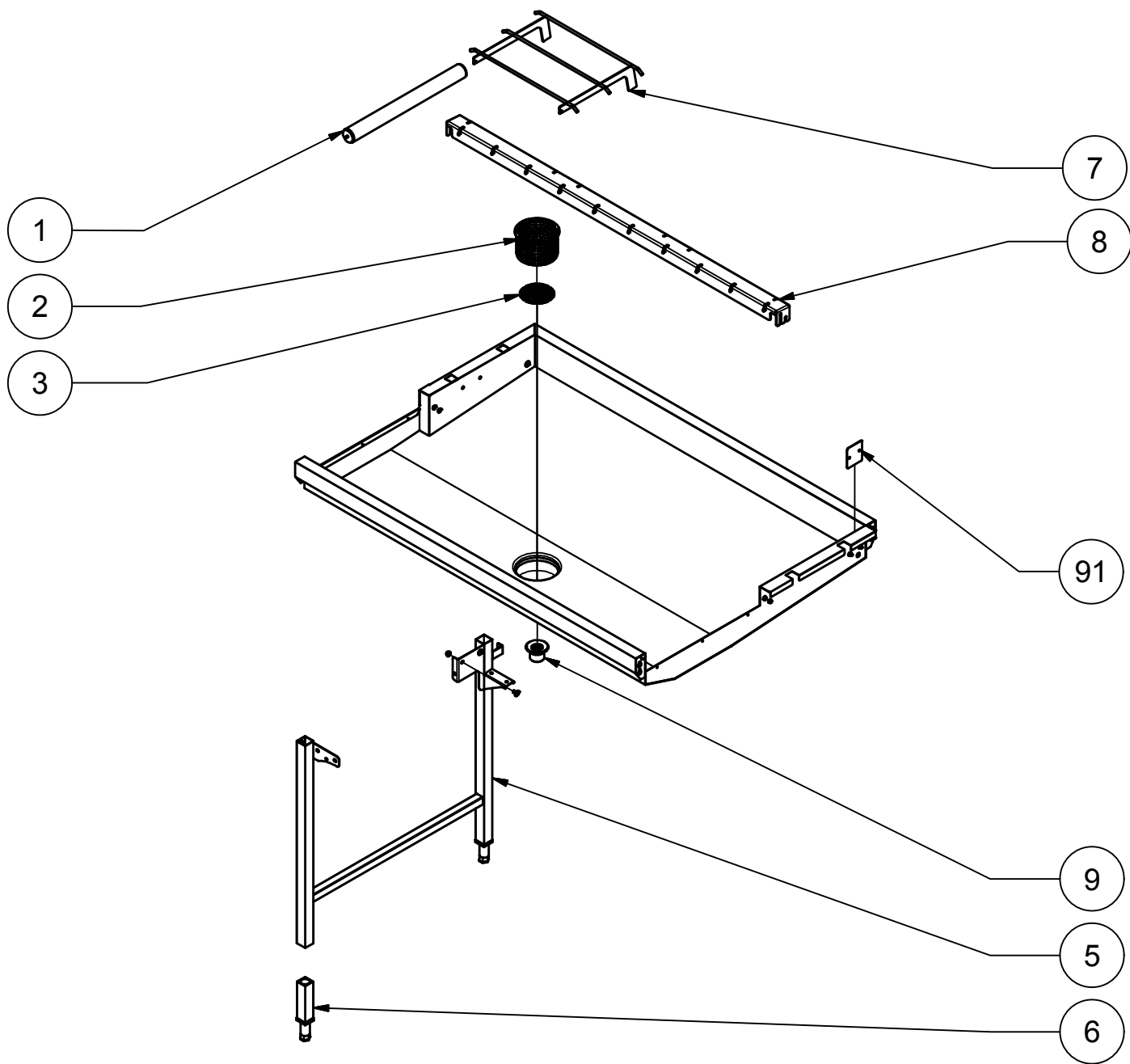
Man. stacking table, 3 baskets R<L operated

Man. stacking table, 4 baskets R<L operated

Man. stacking table, 5 baskets R<L operated

Edition: 4

2018-03



Prod.no.

9F86520700

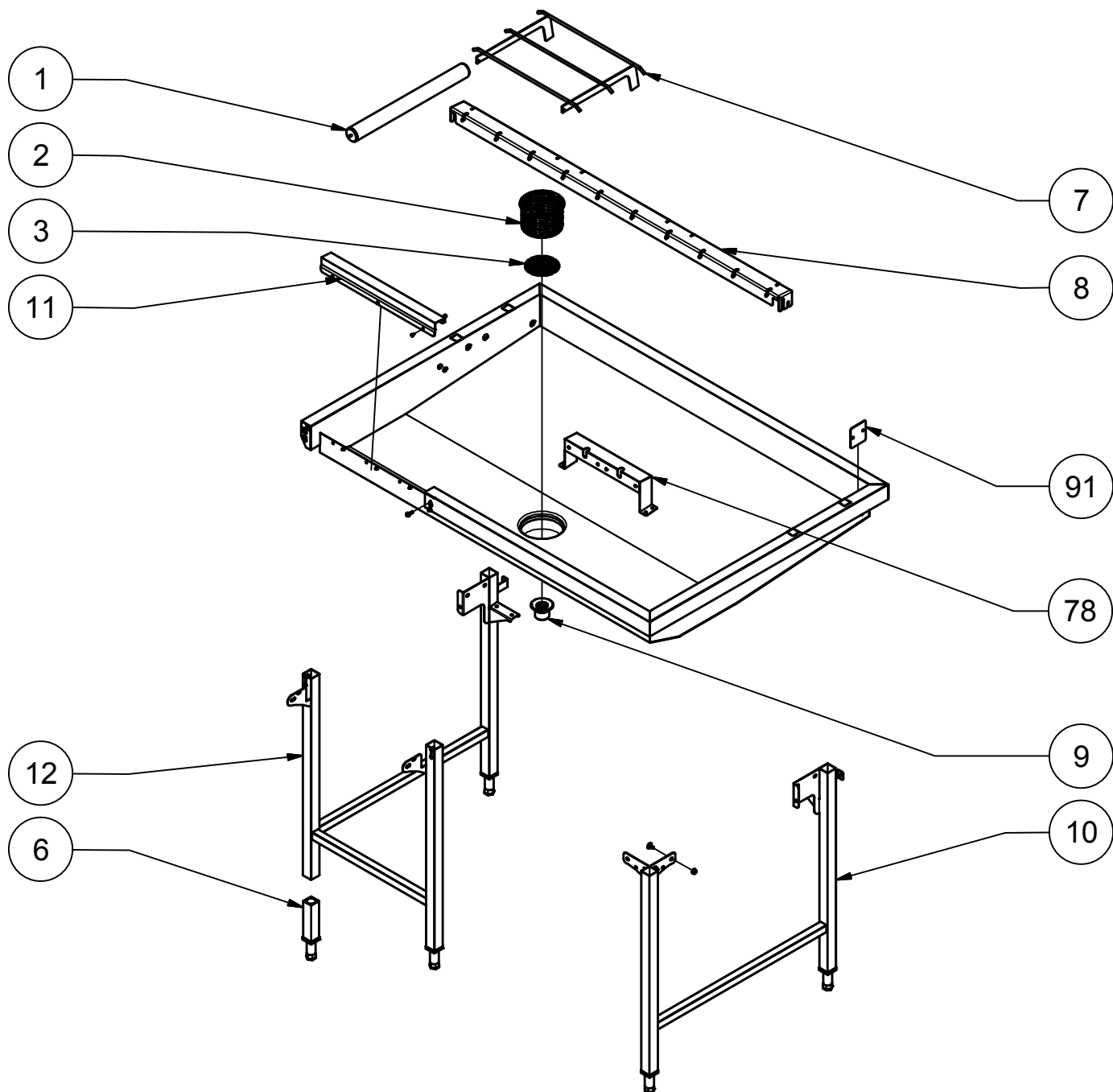
9F86526000

Man.pass thru st. table, 3 baskets L<R operated

Man.pass thru st. table, 3 baskets R<L operated

Edition: 4

2018-03



Prod.no.

9F86526100

9F86526200

9F86529200

9F86529400

9F86529500

9F86529600

Man. stacking table, 3 baskets L<R operated

Man. stacking table, 4 baskets L<R operated

Man. stacking table, 5 baskets L<R operated

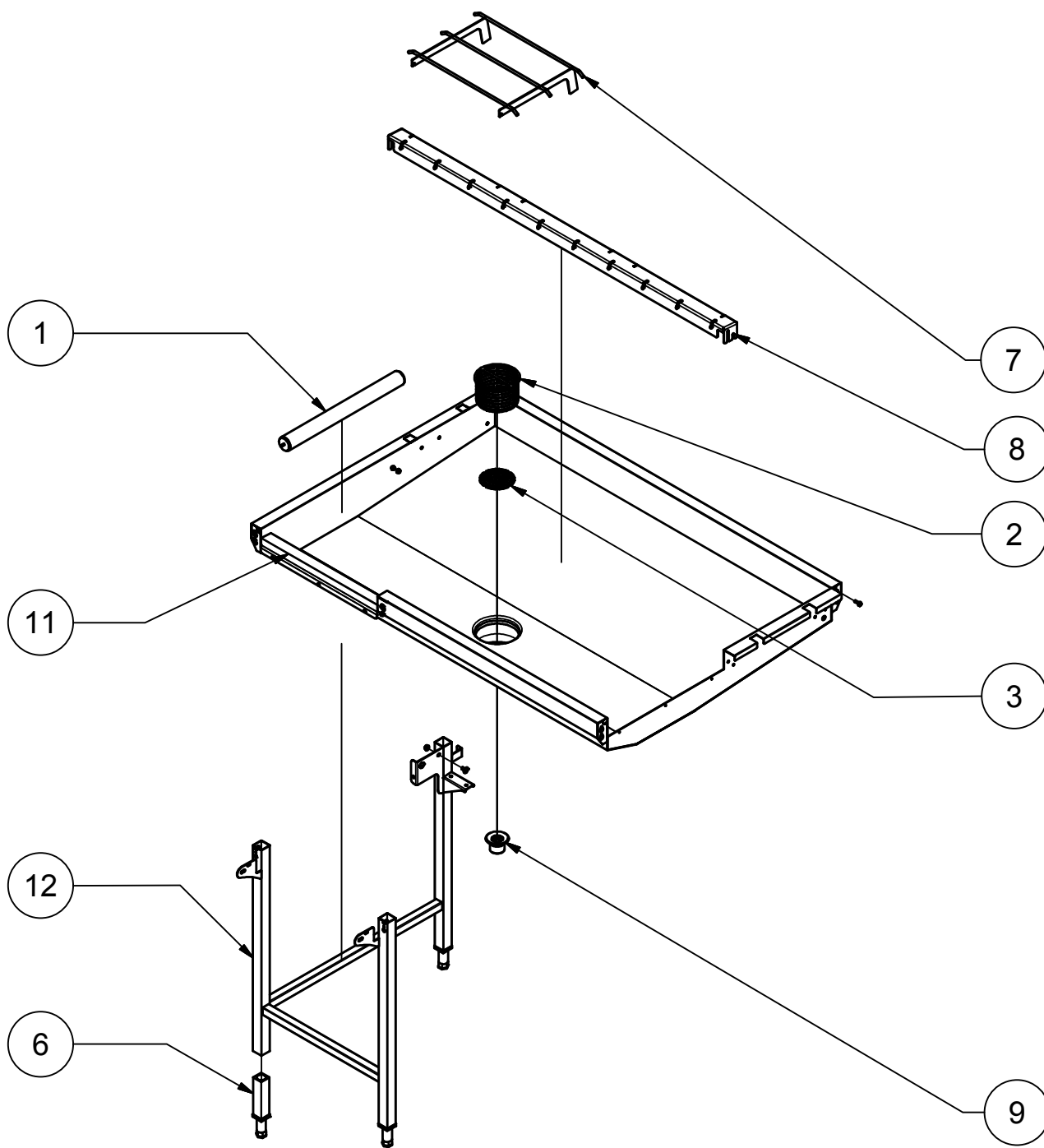
Man. stacking table, 3 baskets R<L operated

Man. stacking table, 4 baskets R<L operated

Man. stacking table, 5 baskets R<L operated

Edition: 4

2018-03



Prod.no.

9F86529300

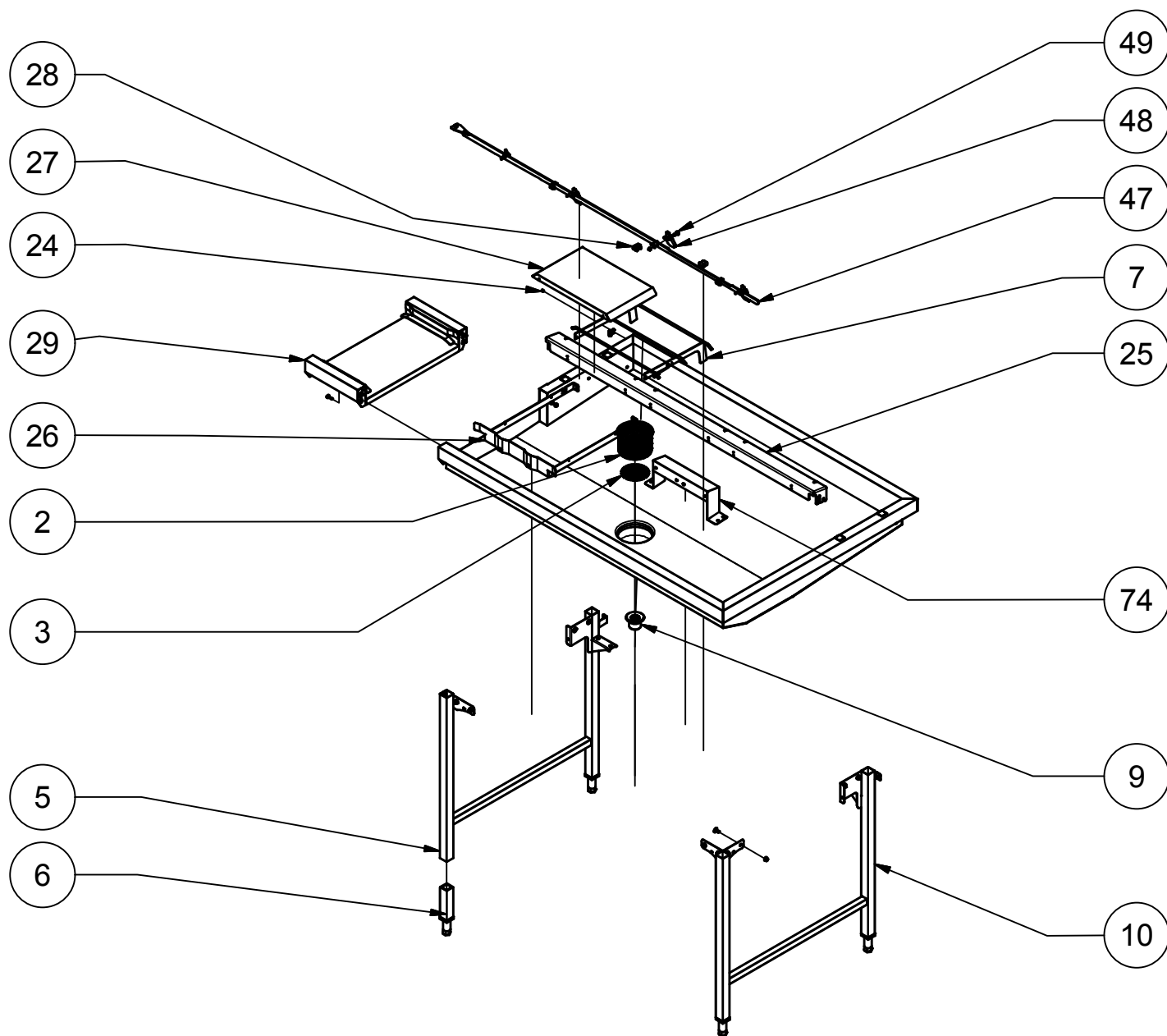
9F86529700

Man.pass thru st. table, 3 baskets L<R operated

Man.pass thru st. table, 3 baskets R<L operated

Edition: 3

2017-12



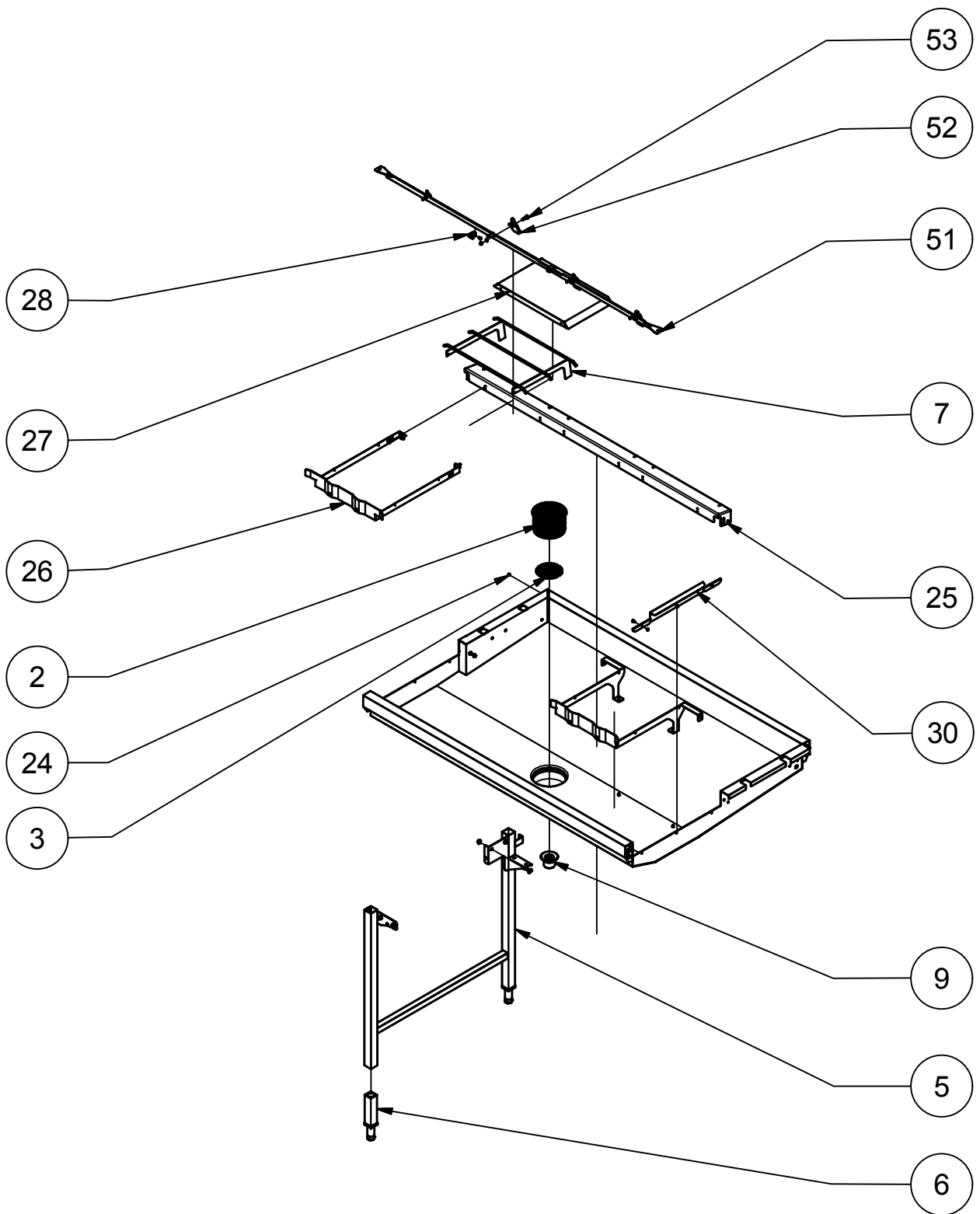
Prod.no.

9F865461
 9F865462
 9F865463
 9F865465
 9F865466
 9F865467

DW-driven stacking table, 3 baskets L<R
 DW-driven stacking table, 4 baskets L<R
 DW-driven stacking table, 5 baskets L<R
 DW-driven stacking table, 4 baskets R<L
 DW-driven stacking table, 5 baskets R<L
 DW-driven stacking table, 3 baskets R<L

Edition: 3

2017-12

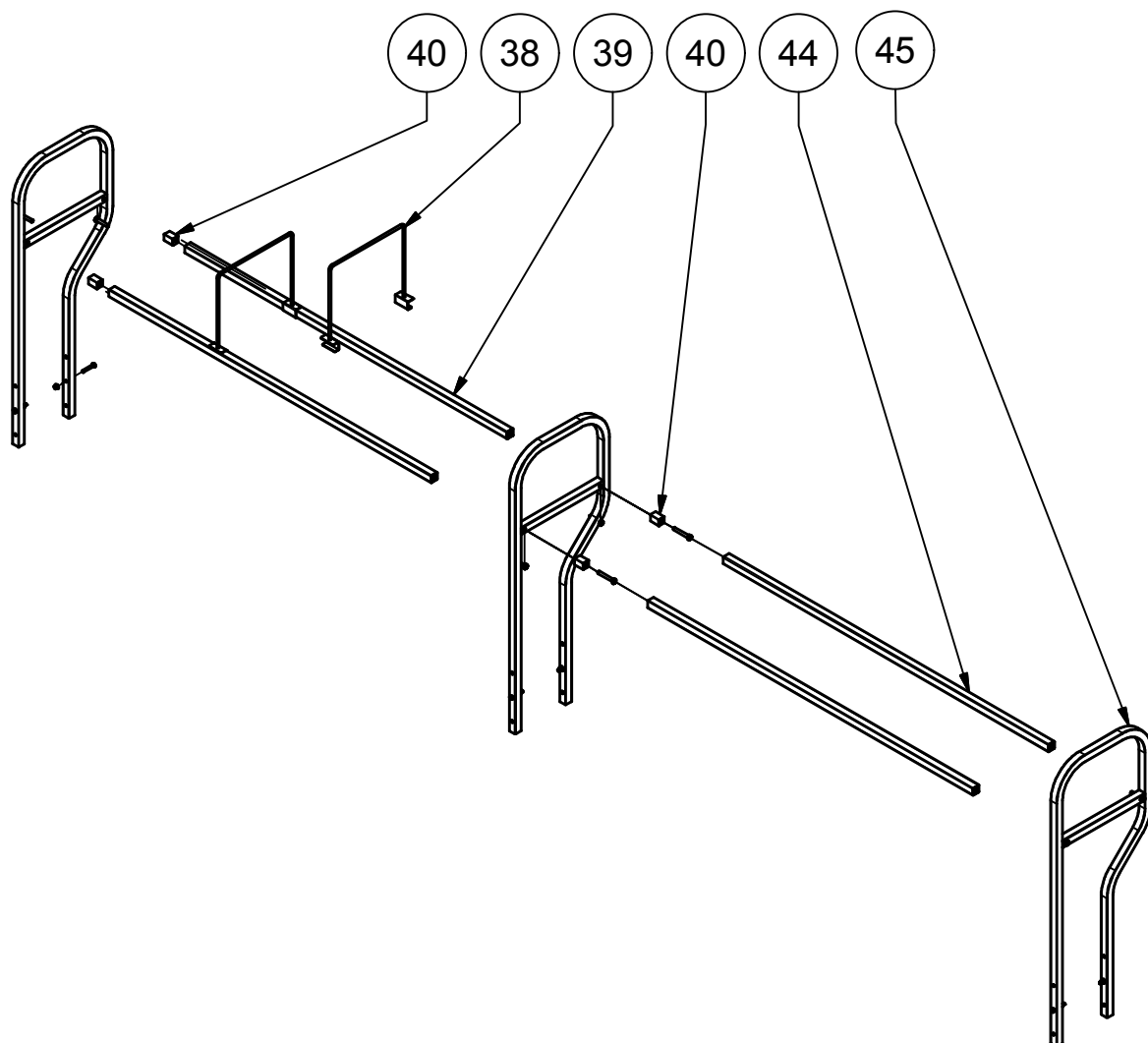


Prod.no.
 9F865464
 9F865468

DW-drive pass thru st. table, 3 baskets L<R
 DW-drive pass thru st. table, 3 baskets R<L

Edition: 3

2017-12



Prod.no.

9F86542900

9F86543000

9F86543100

9F86543200

Overshelf, empty basket storage 3 baskets

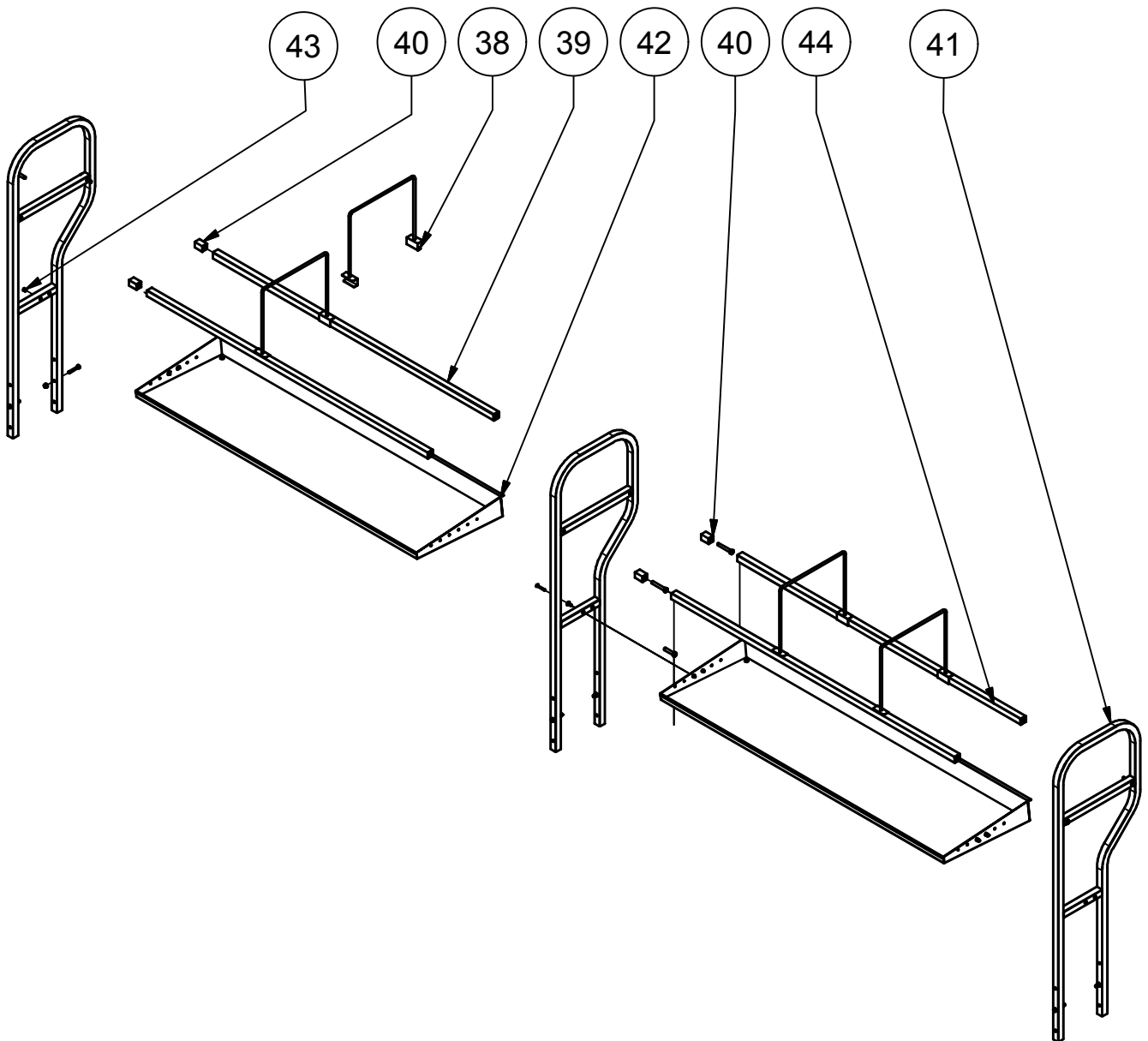
Overshelf, empty basket storage 4 baskets

Overshelf, empty basket storage 5 baskets

Overshelf, empty basket storage 3 baskets

Edition: 3

2017-12



Prod.no.

9F86529800

9F86529900

9F86542700

9F86542800

Overshelf, empty basket storage 3 baskets

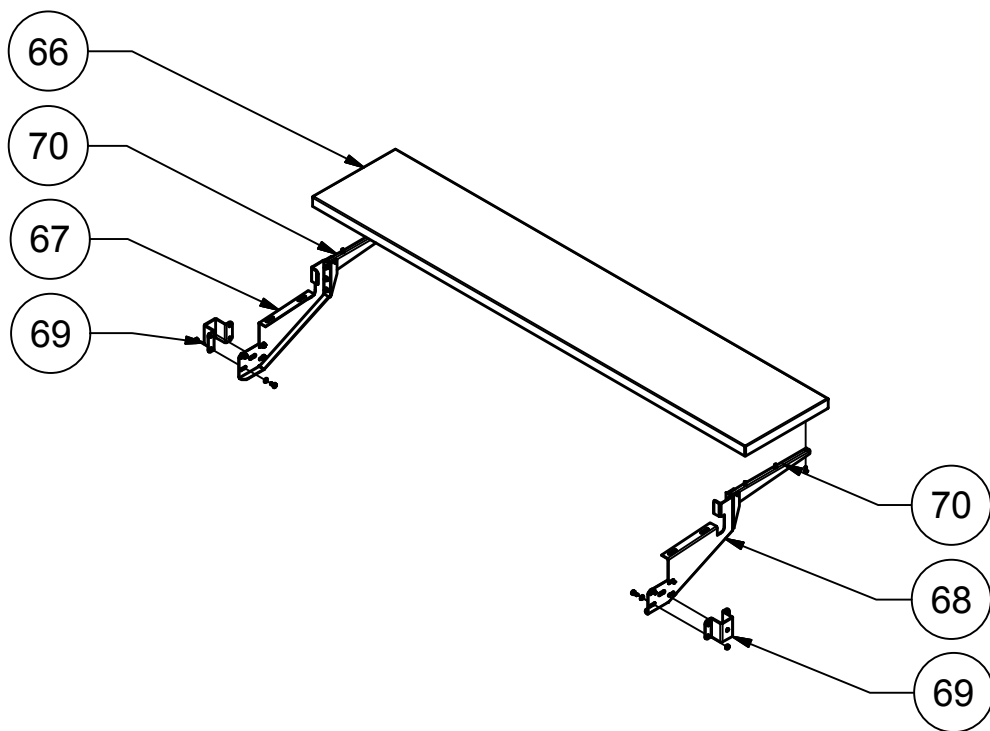
Overshelf, empty basket storage 4 baskets

Overshelf, empty basket storage 5 baskets

Overshelf, empty basket storage 3 baskets

Edition: 3

2017-12



Prod.no.

9F86545400

Foldable Trayslide for stacking table 3-baskets

9F86545500

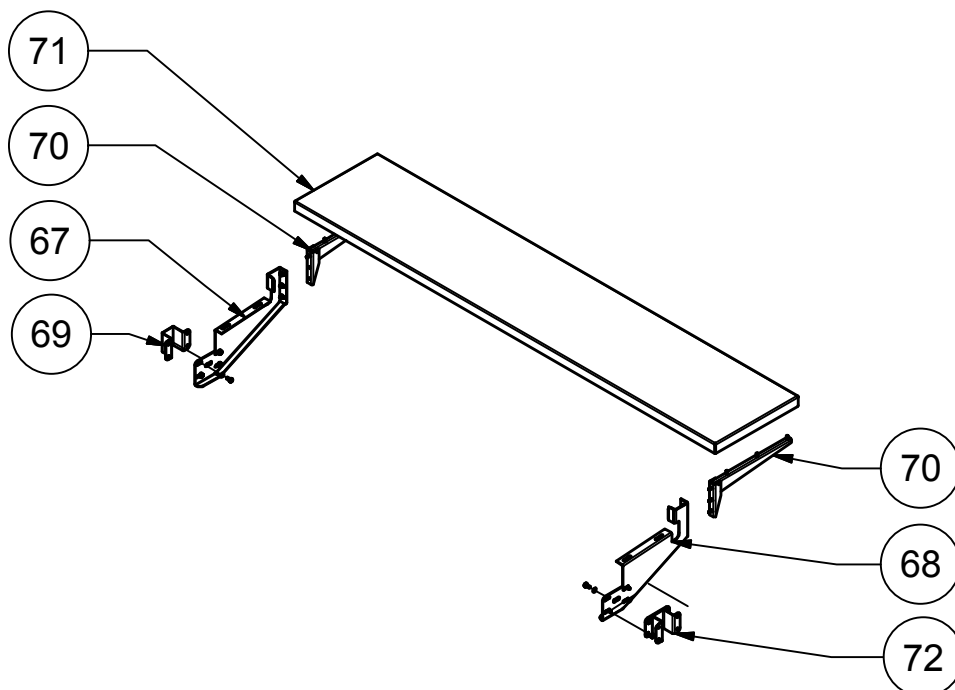
Foldable Trayslide for stacking table 4-baskets

9F86545600

Foldable Trayslide for stacking table 5-baskets

Edition: 2

2017-10



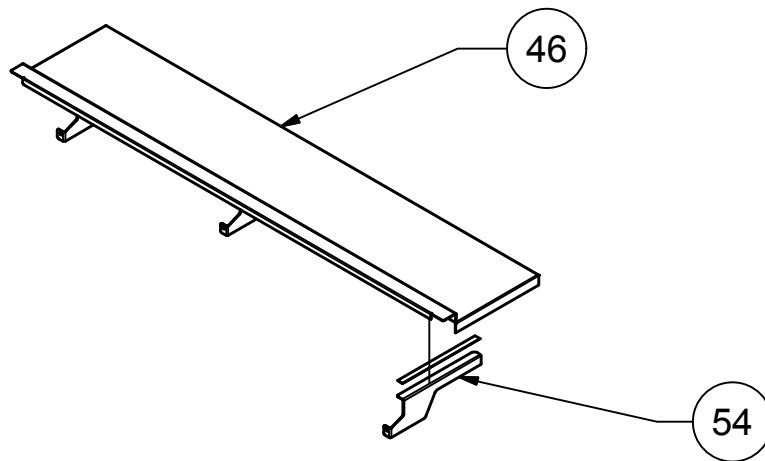
Prod.no.

9F86545700

Foldable Trayslide, pass thru st.table 3-baskets

Edition: 2

2017-10

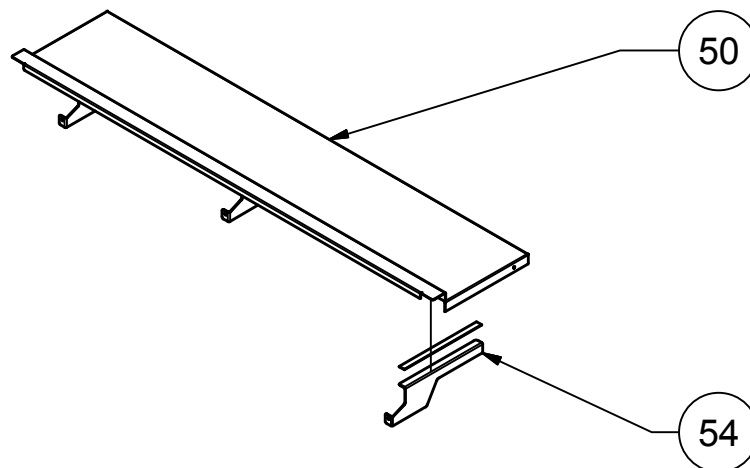


Prod.no.
 9F86543300
 9F86543400
 9F86543500

Trayslide for stacking table 3-baskets
 Trayslide for stacking table 4-baskets
 Trayslide for stacking table 5-baskets

Edition: 2

2017-10

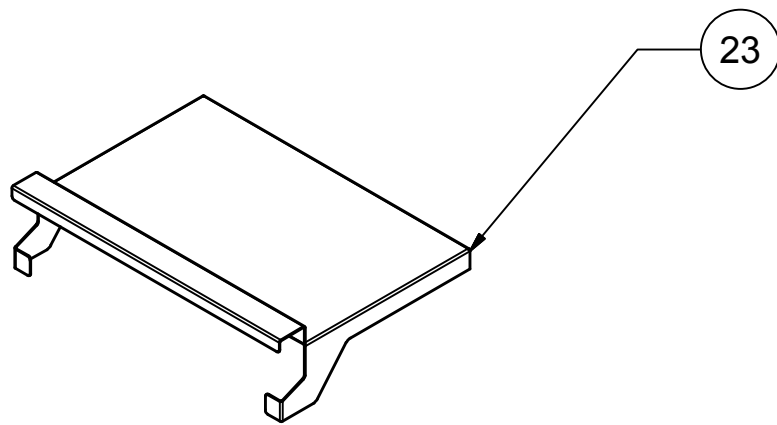


Prod.no.
 9F86543600
 9F86543700

Trayslide for pass thru stacking table 3-baskets
 Tray slide console (3 pcs)

Edition: 2

2017-10

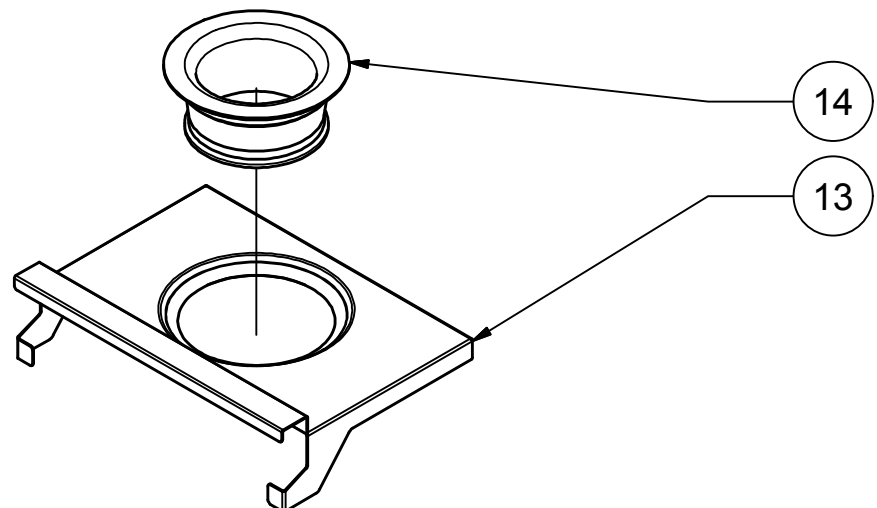


Prod.no.
9F86544400

Trayslide for stacking table L=500

Edition: 2

2017-10

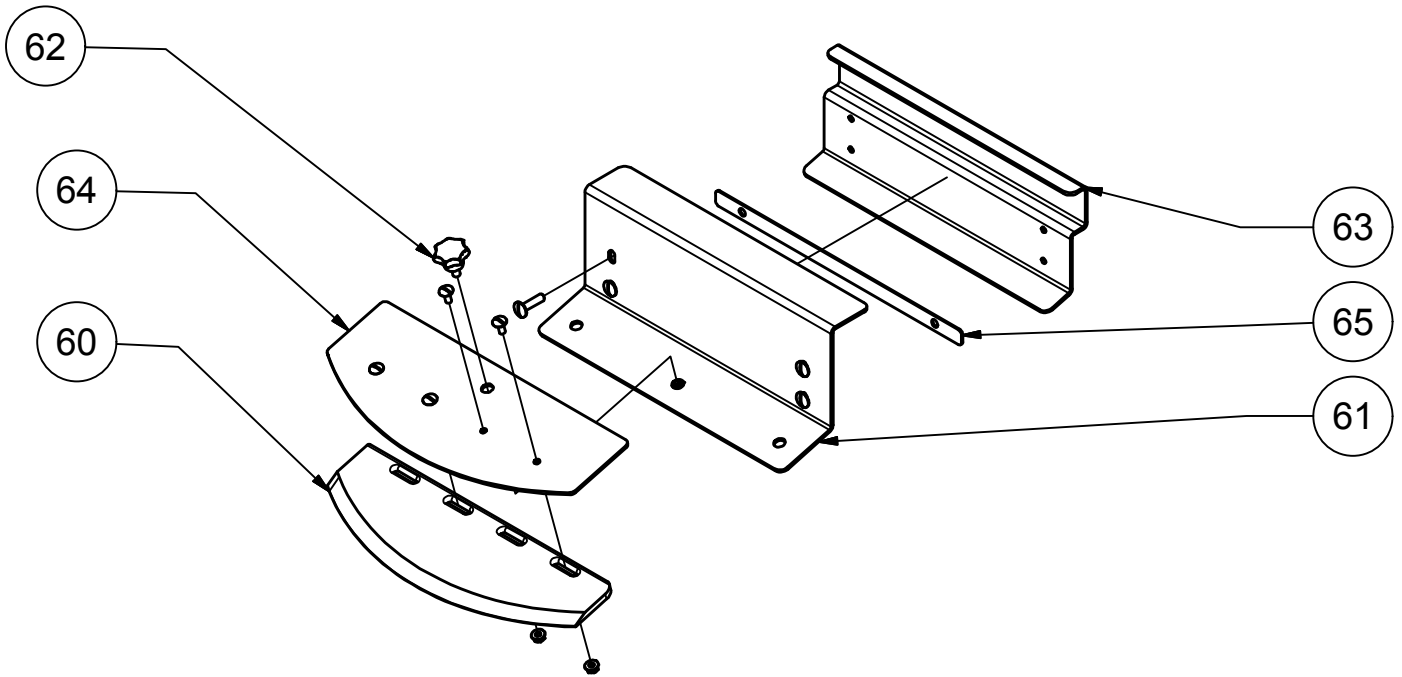


Prod.no.
9F86544500

Trayslide with garbage hole L=500

Edition: 2

2017-10

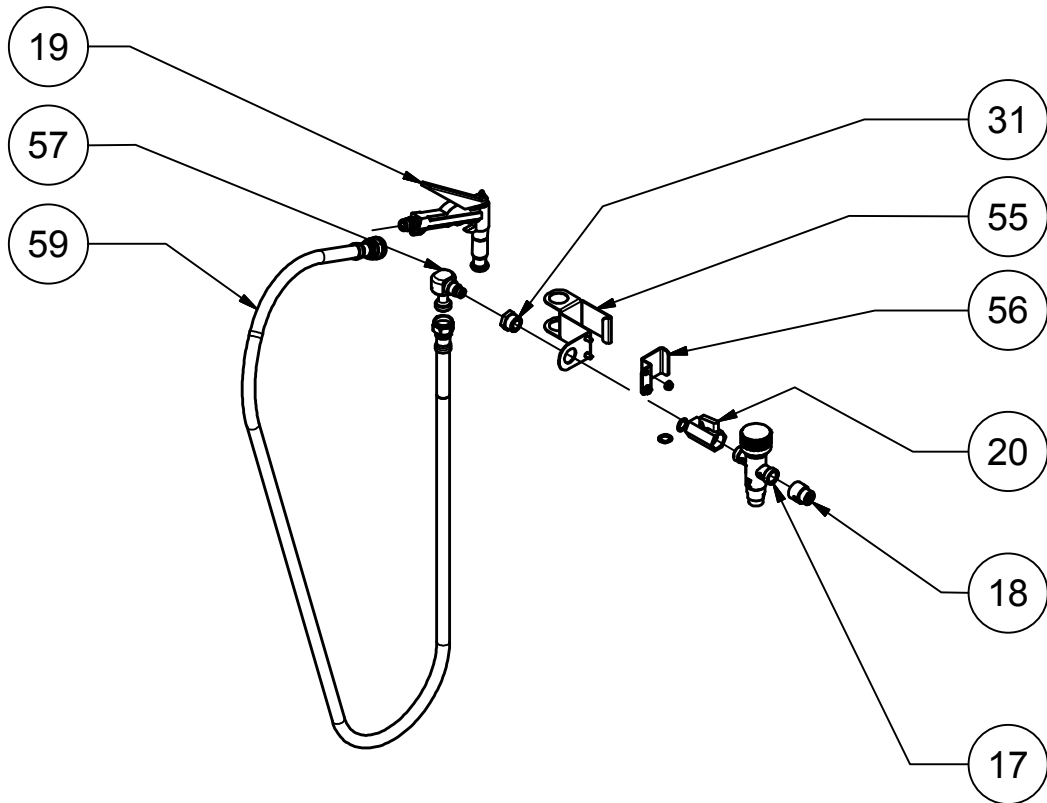


Prod.no.
9F86544700

Waste Scraper

Edition: 2

2017-10

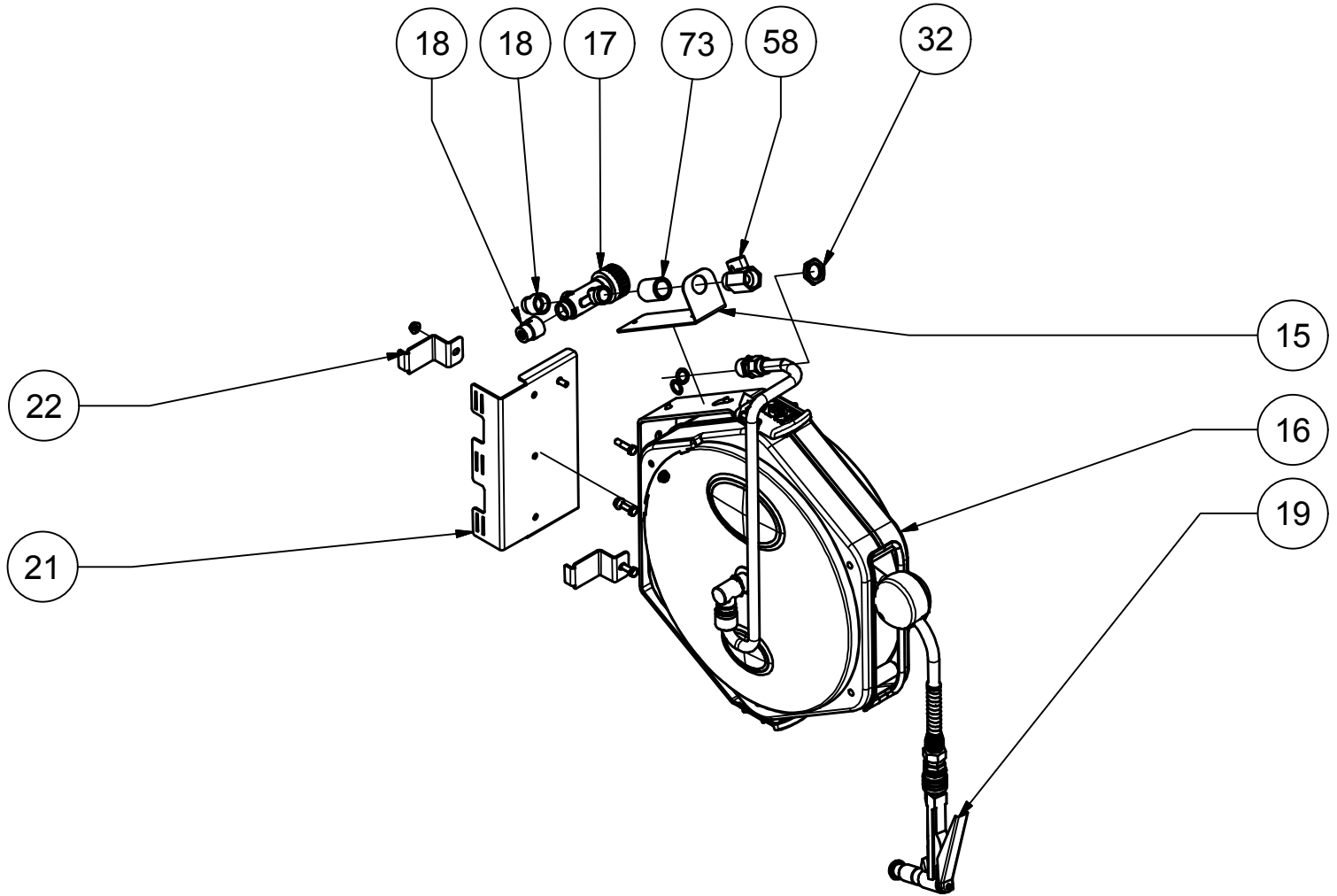


Prod.no.
9F86544300

Pre-rinse unit with fixed thermostatic water 1.5m

Edition: 1

2017-08

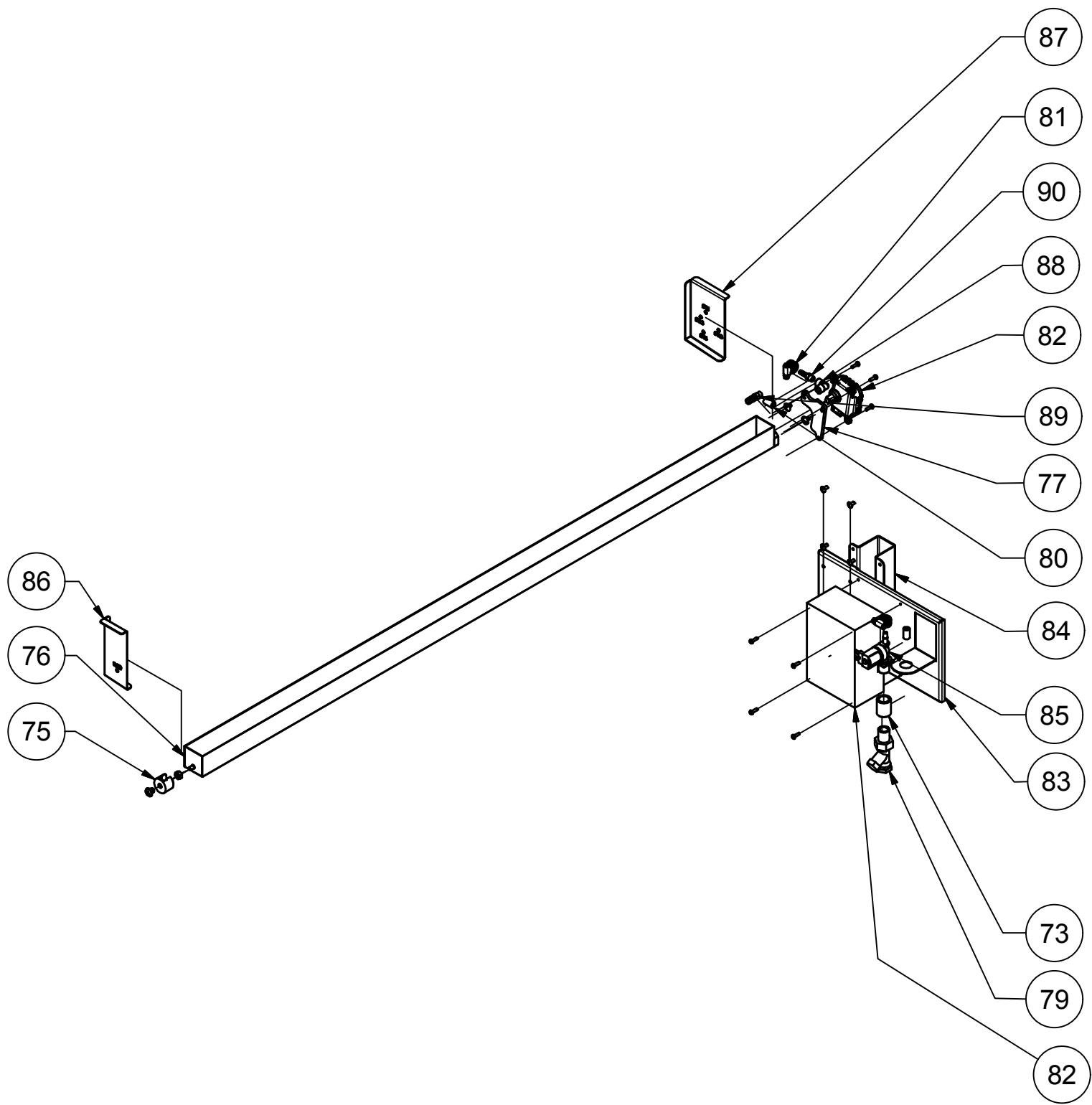


Prod.no.
9F86546000

Pre-rinse unit with fixed thermostatic water 14m

Edition: 3

2017-12



Prod.no.

9F86544800

9F86545000

9F86323100

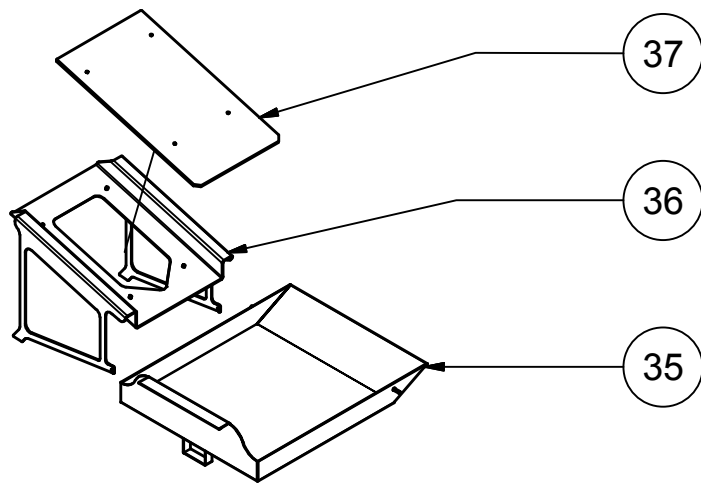
Automatic Basin Flush, 3 Racks

Automatic Basin Flush, 4 Racks

Automatic Basin Flush, 5 Racks

Edition: 1

2017-12

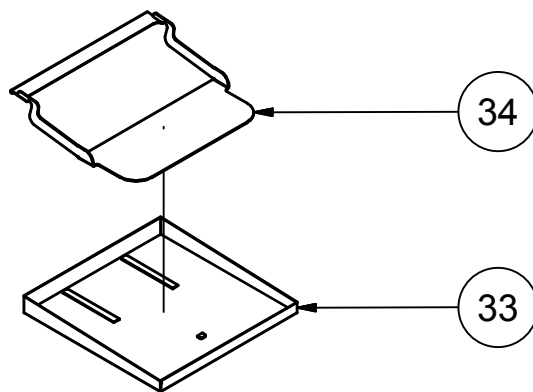


Prod.no.
9F86544200

Soaking Basket for Manual Stack Table

Edition: 1

2017-12



Prod.no.
9F86323000

Soaking Basket for DW driven Stack Table

Edition: 1

2017-12

| 37 | ST1 22 89-00 | Slide Plane | | | |
|------|--------------|---|------|----------|--|
| 36 | ST1 22 24-01 | Slope Slide | | | |
| 35 | ST1 22 20-00 | Soaking Basket Cpl | | | |
| 34 | ST1 20 78-00 | Basket Lift Cpl | | | |
| 33 | ST1 20 75-00 | Soaking Basin Weld | | | |
| 32 | 741 11 13-24 | Pipe nut ½" | | 17-11-07 | |
| 31 | 741 41 08-24 | Bussning ½" utv - ¼" inv | | | |
| 30 | ST1 22 10-00 | Basket Support | | | |
| 29 | ST1 21 16-00 | Flow Return Cpl, DW-dr. Stack Table | | | |
| 28 | ST1 06 17-00 | Support | | | |
| 27 | ST1 18 91-00 | Slide Sheet, DW driven Stack Table | | | |
| 26 | ST1 18 92-00 | Slide Sheet Bracket, DW dr. Stack Table | | | |
| 25 | ST1 18 85-03 | Mid bracket, DW dr. Stack Table, 3 Rack | | | 865461, 865465, 865464, 865468 |
| | ST1 18 85-04 | Mid bracket, DW dr. Stack Table, 4 Rack | | | 865462, 865466 |
| | ST1 18 85-05 | Mid bracket R, DW dr. Stack Table, 5 Rack | | | 865463, 865467 |
| | ST1 18 85-15 | Mid bracket L, DW dr. Stack Table, 5 Rack | | | 865463, 865467 |
| 24 | ST1 18 75-01 | Plug Ø=6,4 | | | |
| 23 | ST1 18 93-00 | Tray Slide L=500 | | | |
| 22 | ST1 22 34-00 | Attachment hose reel part 2 | | | |
| 21 | ST1 22 33-00 | Attachment hose reel part 1 | | | |
| 20 | ST1 21 29-00 | Ball valve ½" | | | |
| 19 | 428 09 33-00 | Hand held sprayer | | | |
| 18 | 428 14 71-00 | Non return valve ½" | | | |
| 17 | ST0 51 64-00 | Mixing valve | | | |
| 16 | ST1 22 38-00 | Hoose reel 14m | | | |
| 15 | ST1 22 35-00 | Attachment mixer hoose reel | | | |
| 14 | ST0 58 37-00 | Rubber ring | | | |
| 13 | ST1 20 85-00 | Tray Slide, garbage hole L=500 | | | |
| 12 | ST1 19 22-01 | Stand, Stack Table Front Connectn. L>R | | | |
| 11 | ST1 18 05-00 | Connection Plate | | | |
| 10 | ST1 19 14-01 | Stand Back Cpl, Stack Table L>R | | | |
| 9 | 476 84 47-00 | Drainconnection 1½" | | | |
| 8 | ST1 17 72-03 | Mid Support, Stack Table, 3 Racks | | | 865257,865204,865261,865294 865260,865207,865293,865297 |
| | ST1 17 72-04 | Mid Support, Stack Table, 4 Racks | | | 865258, 865205,865262,865295 |
| | ST1 17 72-05 | Mid Support, Stack Table, 5 Racks | | | 865258,865205,865262,865295 |
| 7 | ST1 19 11-00 | Grid, Stack Table | | | |
| 6 | ST0 33 76-00 | Foot cpl. | | | |
| 5 | ST1 19 13-01 | Stand Front Cpl, Stack Table L>R | | | |
| 4 | ST0 33 59-00 | Snap on | | | |
| 3 | 428 02 89-00 | Strainer plate Ø114 | | | |
| 2 | ST0 33 90-00 | Strainer basket | | | |
| 1 | 4914854-04 | Long roller | | | |
| Pos. | Art. No. | Description | From | To | Note |

| 78 | ST1 20 84-00 | Reinforcement, Mid Support, Stack Table | | | |
|------|--------------|---|----------|----|----------------|
| 77 | ST1 23 38-00 | Motor Bracket, Basin Flush | | | |
| 76 | ST1 23 43-03 | Container, Basin Flush 3 Racks | | | 865448 |
| | ST1 23 43-04 | Container, Basin Flush 4 Racks | | | 865450 |
| | ST1 23 43-05 | Container, Basin Flush 5 Racks | | | 863231 |
| 75 | 491 44 43-00 | Attachment | | | |
| 74 | ST1 22 13-00 | Reinforcement, DW-driven Stack Table | | | |
| 73 | 741 21 13-20 | Sleeve ½" | 17-11-07 | | |
| 72 | ST1 21 24-00 | Bracket Cpl, Tray Slide Pass Thru | | | |
| 71 | ST1 21 22-03 | Foldable Tray Slide Pass Thru 3 Rack | | | |
| 70 | 520 15 76-00 | Foldable console | | | |
| 69 | ST1 21 11-00 | Leg Bracket, Foldable Tray Slide | | | |
| 68 | ST1 21 09-01 | Bracket, Left, Foldable Tray Slide | | | |
| 67 | ST1 21 09-00 | Bracket, Right, Foldable Tray Slide | | | |
| 66 | ST1 21 07-03 | Foldable Tray Slide, 3 Rack | | | 865454 |
| | ST1 21 07-04 | Foldable Tray Slide, 4 Rack | | | 865455 |
| | ST1 21 07-05 | Foldable Tray Slide, 5 Rack | | | 865456 |
| 65 | ST1 22 40-00 | Washer, Waste scraper | | | |
| 64 | ST1 22 18-00 | Attachment, Waste scraper | | | |
| 63 | ST1 22 16-00 | Attachment, waste scraper part 2 | | | |
| 62 | ST0 99 10-00 | Star knob Ø25 M5x10 | | | |
| 61 | ST1 22 15-00 | Attachment, waste scraper part 1 | | | |
| 60 | ST2 21 34-03 | Scraper | | | |
| 59 | ST0 89 71-00 | Mounted hose 1,5 m | | | |
| 58 | 475 72 85-02 | Ball valve ½" | 17-11-07 | | |
| 57 | ST0 89 70-00 | Swivel | | | |
| 56 | ST1 21 28-00 | Bracket | | | |
| 55 | ST1 21 27-00 | Bracket | | | |
| 54 | ST1 19 61-00 | Brackets for Tray Slide | | | |
| 53 | 520 27 51-00 | Screw, carrier | | | |
| 52 | 520 27 52-00 | Carrier | | | |
| 51 | ST1 22 07-03 | Feeding Arm, Weld, Pass Thru 3 Racks | | | |
| 50 | ST1 20 97-03 | Tray Slide, Pass Through 3 Rack | | | |
| 49 | 520 27 51-00 | Screw, carrier | | | |
| 48 | 520 27 52-00 | Carrier | | | |
| 47 | ST1 18 87-03 | Feeding arm, Weld Assy, 3 Racks | | | 865461, 865465 |
| | ST1 18 87-04 | Feeding arm, Weld Assy, 4 Racks | | | 865462, 865466 |
| | ST1 18 87-05 | Feeding arm, Weld Assy, 5 Racks | | | 865463, 865467 |
| 46 | ST1 18 95-03 | Tray Slide, 3 Rack | | | 865433 |
| | ST1 18 95-04 | Tray Slide, 4 Rack | | | 865434 |
| | ST1 18 95-05 | Tray Slide, 5 Rack | | | 865435 |
| 45 | ST1 20 70-00 | Gable Cpl, Plain Upper Shelf | | | |
| 44 | ST1 20 91-03 | Tube, Upper Shelf, Through, 3 Rack | | | |
| 43 | ST1 18 75-00 | Plug | | | |
| 42 | ST1 18 70-03 | Lower Upper Shelf, 3 Rack | | | 865298 |
| | ST1 18 70-04 | Lower Upper Shelf, 4 Rack | | | 865299 |
| | ST1 18 70-05 | Lower Upper Shelf, 5 Rack | | | 865427 |
| 41 | ST1 18 65-00 | Gable Cpl, Double Upper Shelf | | | |
| 40 | ST1 18 64-00 | Tube Fitting | | | |
| 39 | ST1 18 66-03 | Tube, Upper Shelf, 3 Rack | | | 865298, 865429 |
| | ST1 18 66-04 | Tube, Upper Shelf, 4 Rack | | | 865299, 865430 |
| | ST1 18 66-05 | Tube, Upper Shelf, 5 Rack | | | 865427, 865431 |
| 38 | 482 24 71-00 | Basket support | | | |
| Pos. | Art. No. | Description | From | To | Note |

| | | | | | |
|-------------|-----------------|--------------------------------------|-------------|-----------|-------------|
| 91 | ST1 23 98-00 | Cover plate | | | |
| 90 | 552 21 40-00 | Hose nipple 6x 1/4" | | | |
| 89 | 552 21 40-02 | Hose nipple DN6x3/8" | | | |
| 88 | 742 11 09-20 | Elbow 1/8" | | | |
| 87 | ST1 23 47-01 | Drilling Template Left, Basin Flush | | | |
| 86 | ST1 23 47-00 | Drilling Template Right, Basin Flush | | | |
| 85 | ST1 23 46-00 | Solenoid Valve | | | |
| 84 | ST1 23 41-00 | Bracket | | | |
| 83 | ST1 23 40-00 | Bracket for Valve and ECU | | | |
| 82 | ST1 23 25-93 | ECU electronic, 3 racks | | | 865448 |
| | ST1 23 25-94 | ECU electronic, 4 racks | | | 865450 |
| | ST1 23 25-95 | ECU electronic, 5 racks | | | 863231 |
| | ST1 23 25-99 | ECU motor | | | |
| 81 | ST0 73 66-05 | Hose Clamp 10,5-12,5 | | | |
| 80 | ST0 46 28-00 | Hose PPE 12x6 | | | |
| 79 | ST0 28 92-00 | Radiator coupling 1/2" | | | |
| Pos. | Art. No. | Description | From | To | Note |

