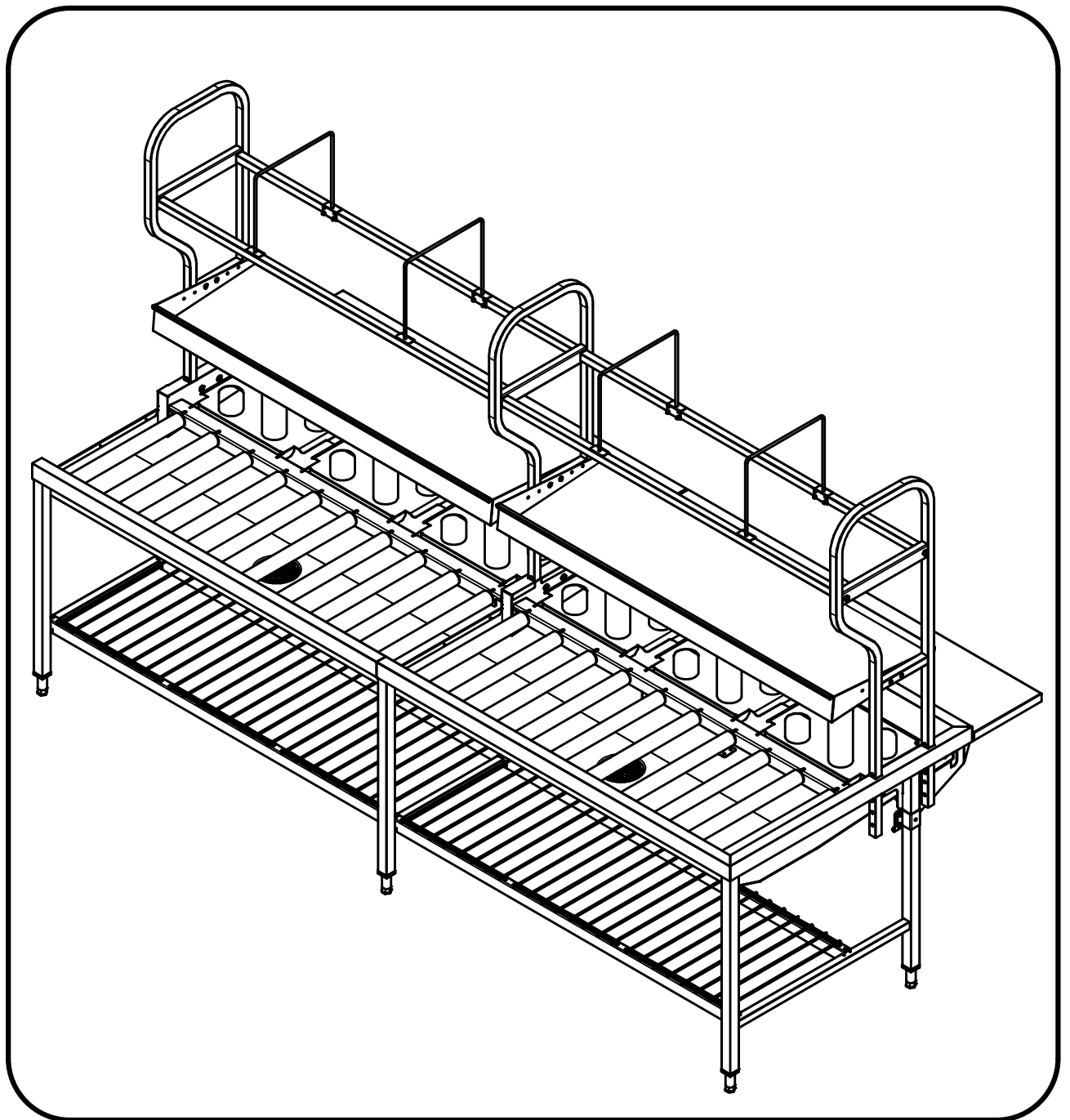


Spare part list

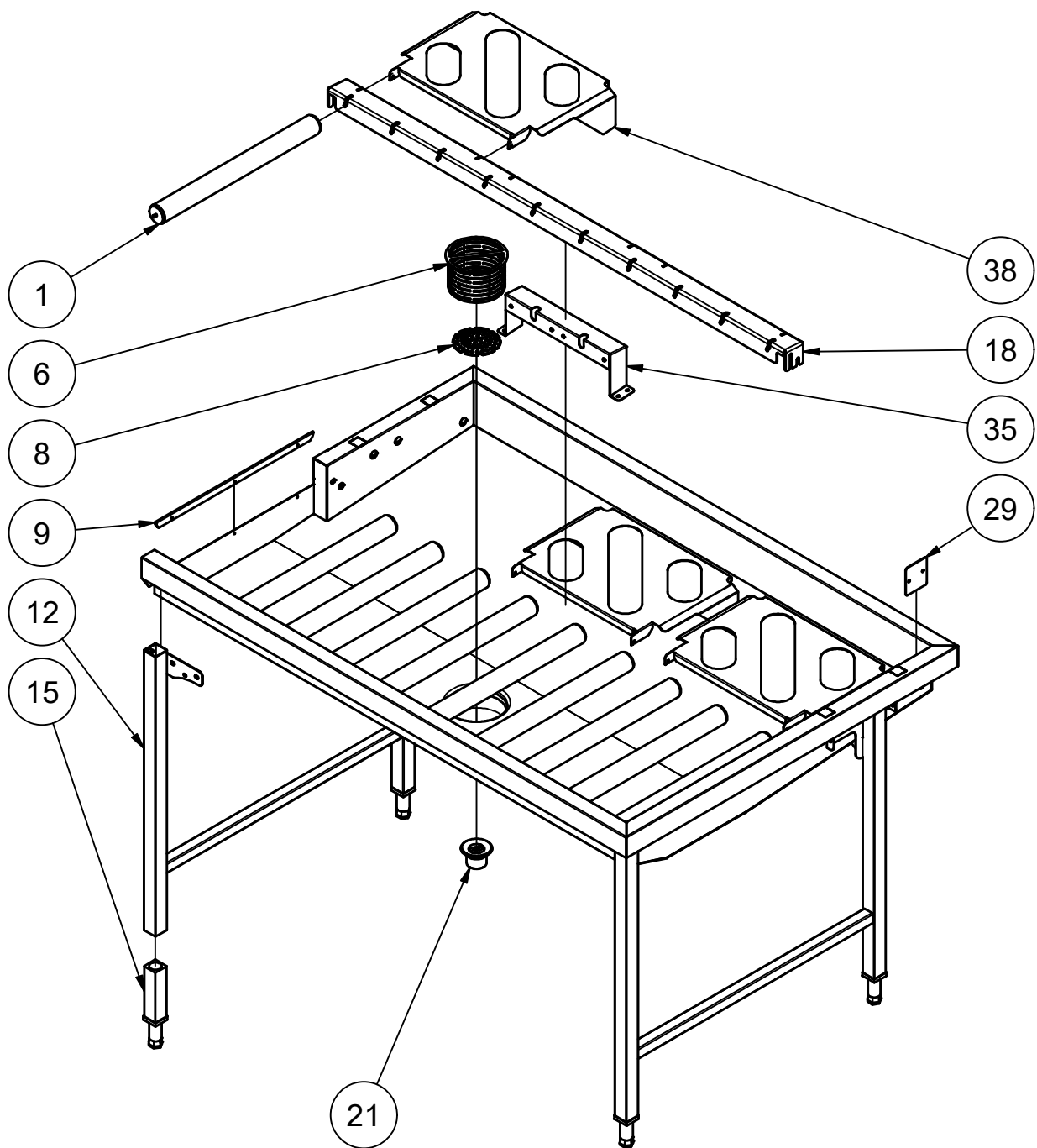


MANUAL STACKING TABLE
DW DRIVEN STACKING TABLE
AUT. STACKING TABLE



DOC. NO. ST11793-60
EDITION 6 2023.06

• Man. Stacking table	4-7
• DW. Stacking table	8-9
• Aut. Stacking table	10-11
• Overshelf	12-13
• Trayslide	14-16
• Grid under shelf	17
• Basket support and waste scraper	18
• Pre-rinse 1,5m	19
• Pre-rinse 14m	20
• Basin Flush	21-23
• Soaking basket	24



Prod.no.

9F86520400

9F86520500

9F86520600

9F86525700

9F86525800

9F86525900

Man. stacking table, 3 baskets L<R operated

Man. stacking table, 4 baskets L<R operated

Man. stacking table, 5 baskets L<R operated

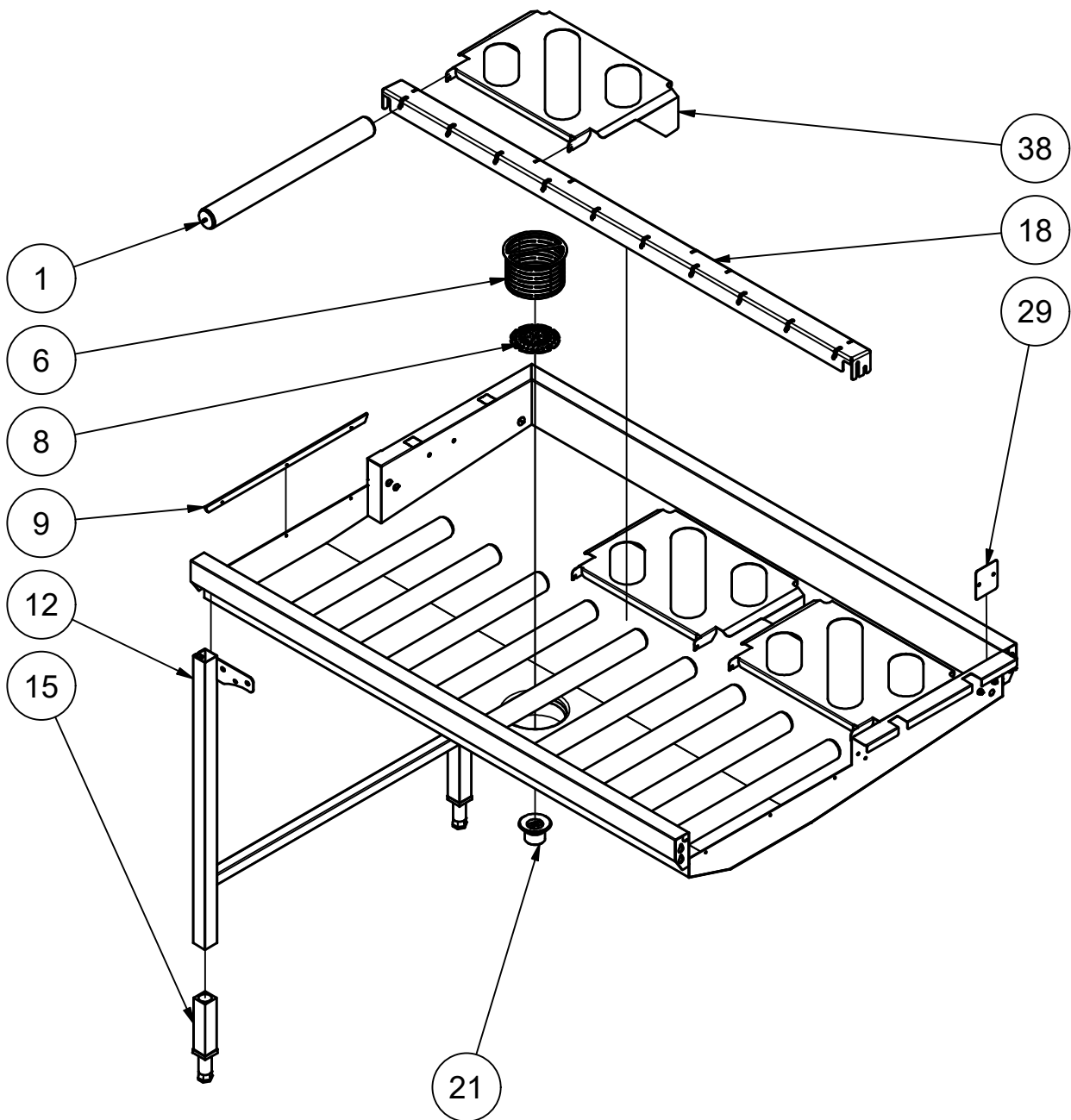
Man. stacking table, 3 baskets R<L operated

Man. stacking table, 4 baskets R<L operated

Man. stacking table, 5 baskets R<L operated

Edition: 5

2019-06



Prod.no.

9F86520700

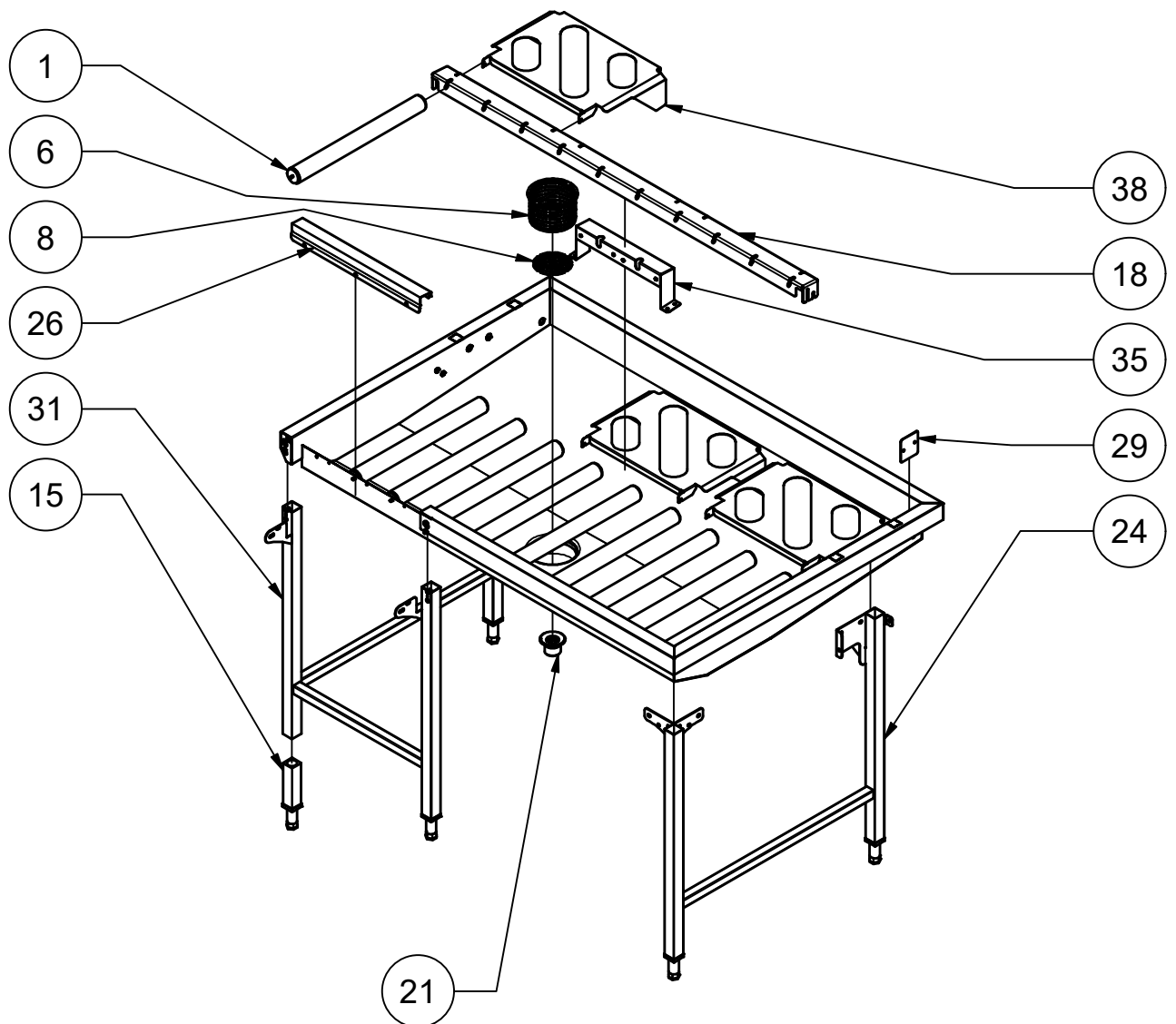
9F86526000

Man.pass thru st. table, 3 baskets L<R operated

Man.pass thru st. table, 3 baskets R<L operated

Edition: 5

2019-06



Prod.no.

9F86526100

9F86526200

9F86529200

9F86529400

9F86529500

9F86529600

Man. stacking table, 3 baskets L<R operated

Man. stacking table, 4 baskets L<R operated

Man. stacking table, 5 baskets L<R operated

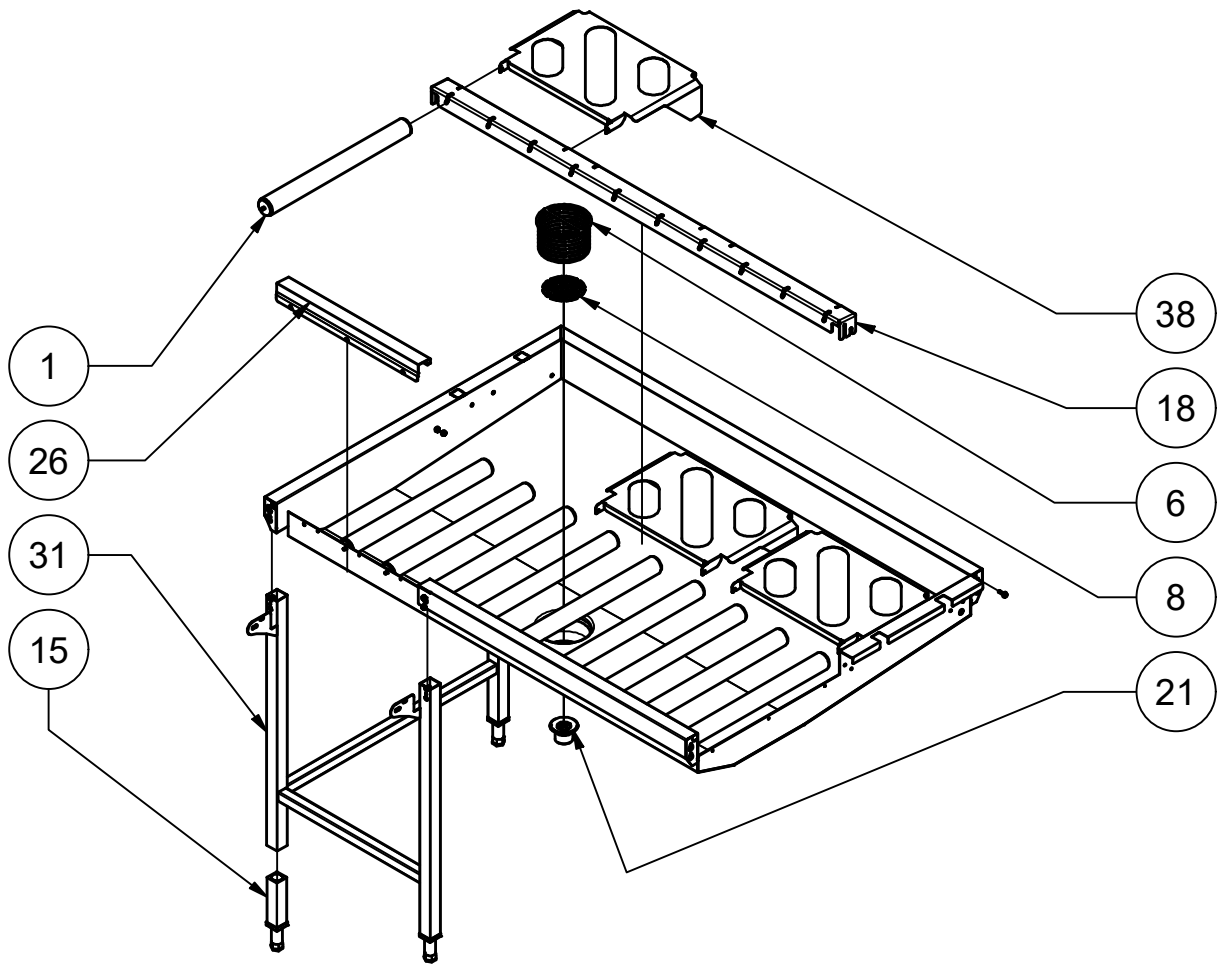
Man. stacking table, 3 baskets R<L operated

Man. stacking table, 4 baskets R<L operated

Man. stacking table, 5 baskets R<L operated

Edition: 5

2019-06



Prod.no.

9F86529300

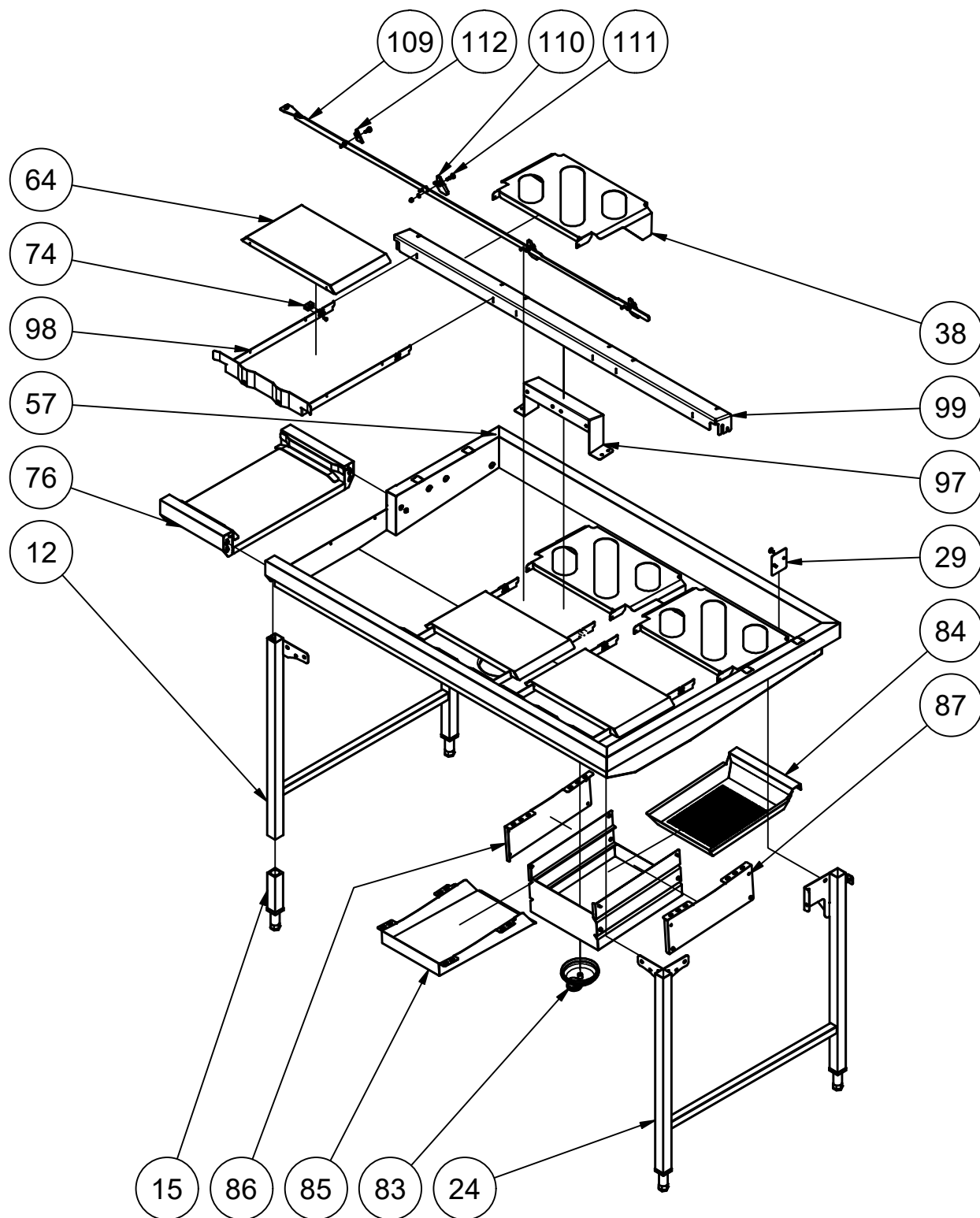
9F86529700

Man.pass thru st. table, 3 baskets L<R operated

Man.pass thru st. table, 3 baskets R<L operated

Edition: 4

2019-06



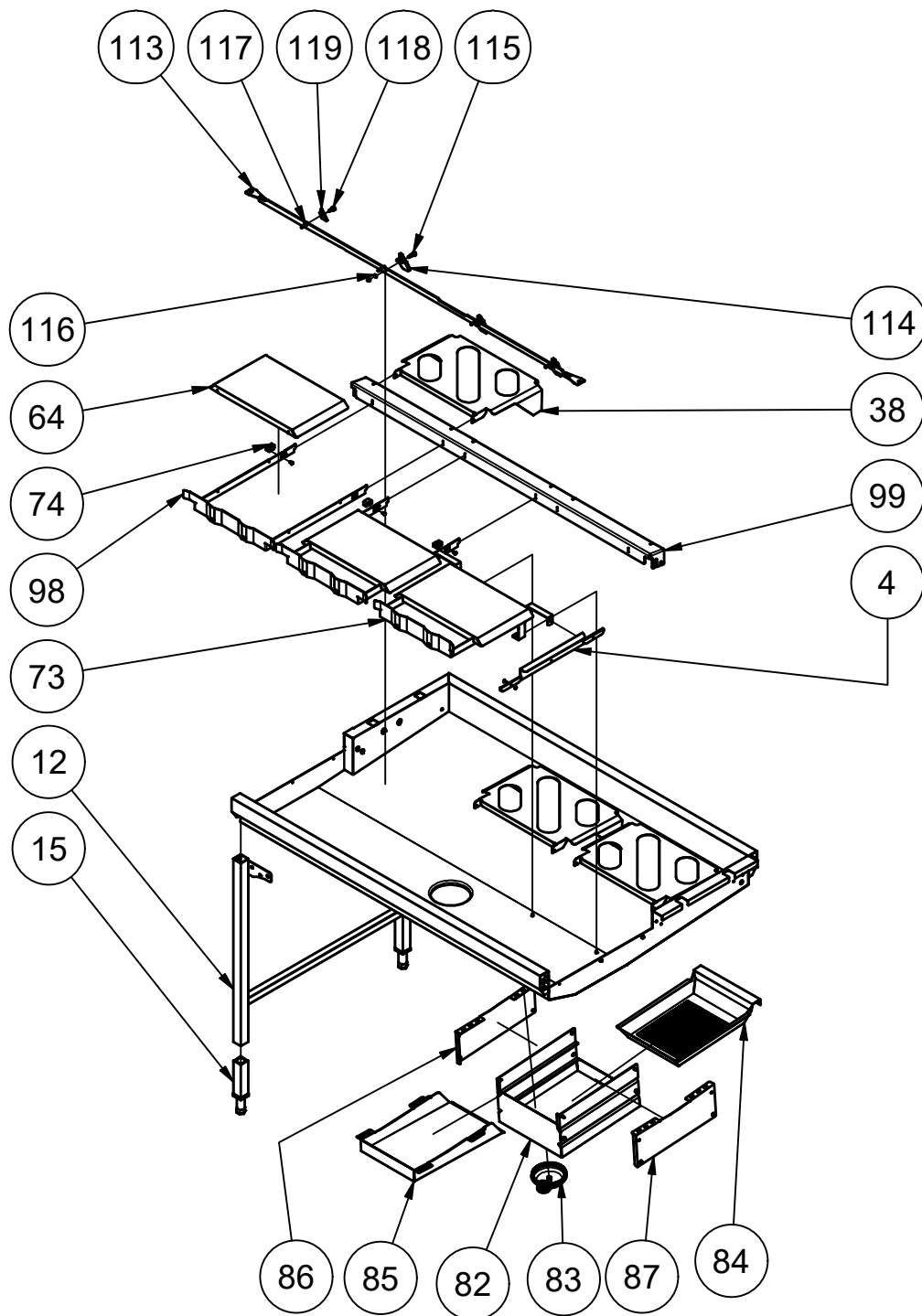
Prod.no.

- 9F86546100
- 9F86546200
- 9F86546300
- 9F86546500
- 9F86546600
- 9F86546700

- DW-driven stacking table, 3 baskets L<R
- DW-driven stacking table, 4 baskets L<R
- DW-driven stacking table, 5 baskets L<R
- DW-driven stacking table, 4 baskets R<L
- DW-driven stacking table, 5 baskets R<L
- DW-driven stacking table, 3 baskets R<L

Edition: 5

2023-06

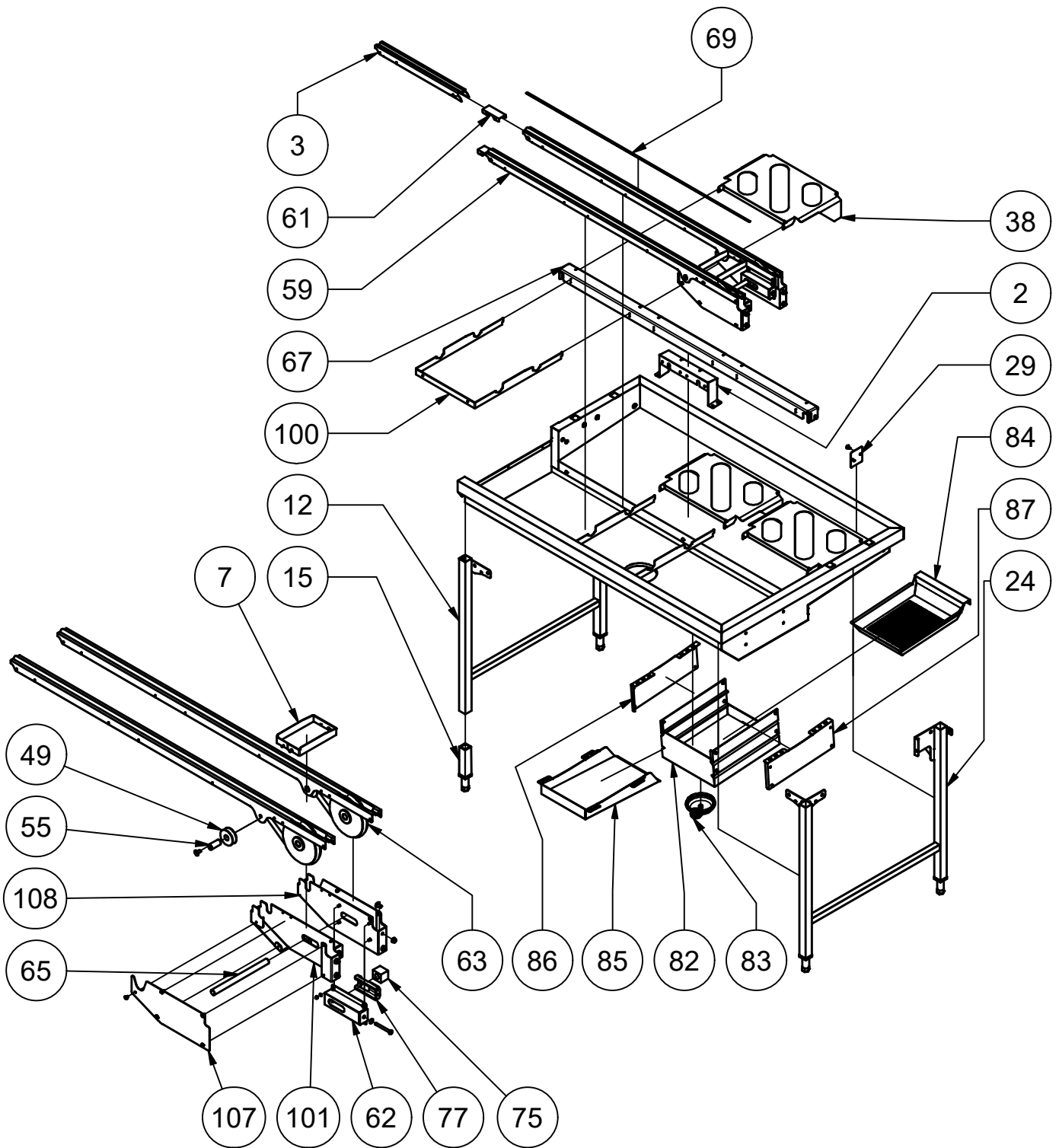


Prod.no.
 9F865464
 9F865468

DW-drive pass thru st. table, 3 baskets L<R
 DW-drive pass thru st. table, 3 baskets R<L

Edition: 5

2023-06



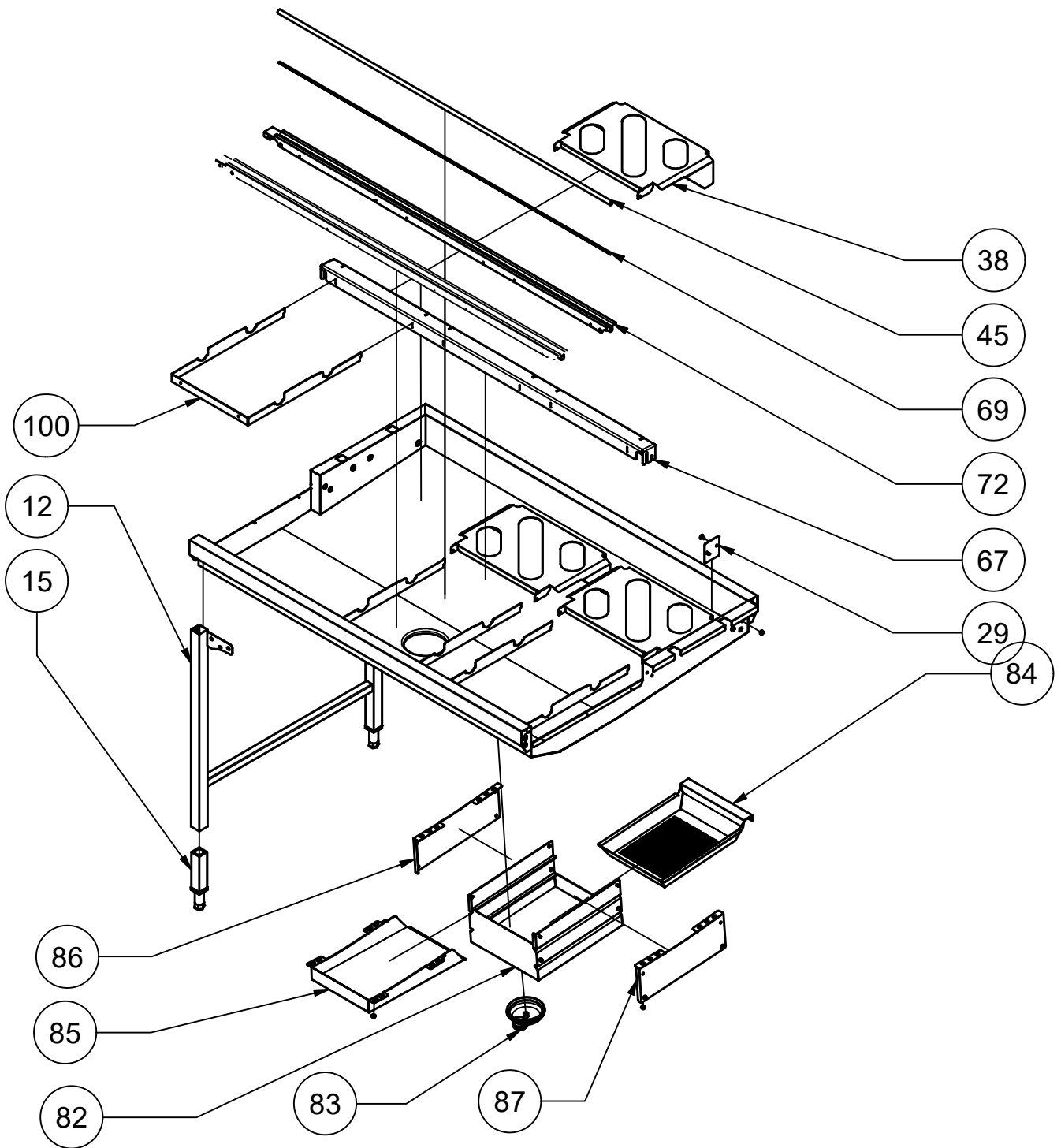
Prod.no.

- 9F86546900
- 9F86547000
- 9F86547100
- 9F86322500
- 9F86547300
- 9F86547400
- 9F86547500
- 9F86322600

- Aut. stack.table 3 baskets, L< R
- Aut. stack.table 4 baskets, L< R
- Aut. stack.table 5 baskets, L< R
- Aut. stack.table 6 baskets, L< R
- Aut. stack.table 3 baskets, R< L
- Aut. stack.table 4 baskets, R< L
- Aut. stack.table 5 baskets, R< L
- Aut. stack.table 6 baskets, R< L

Edition: 2

2023-06

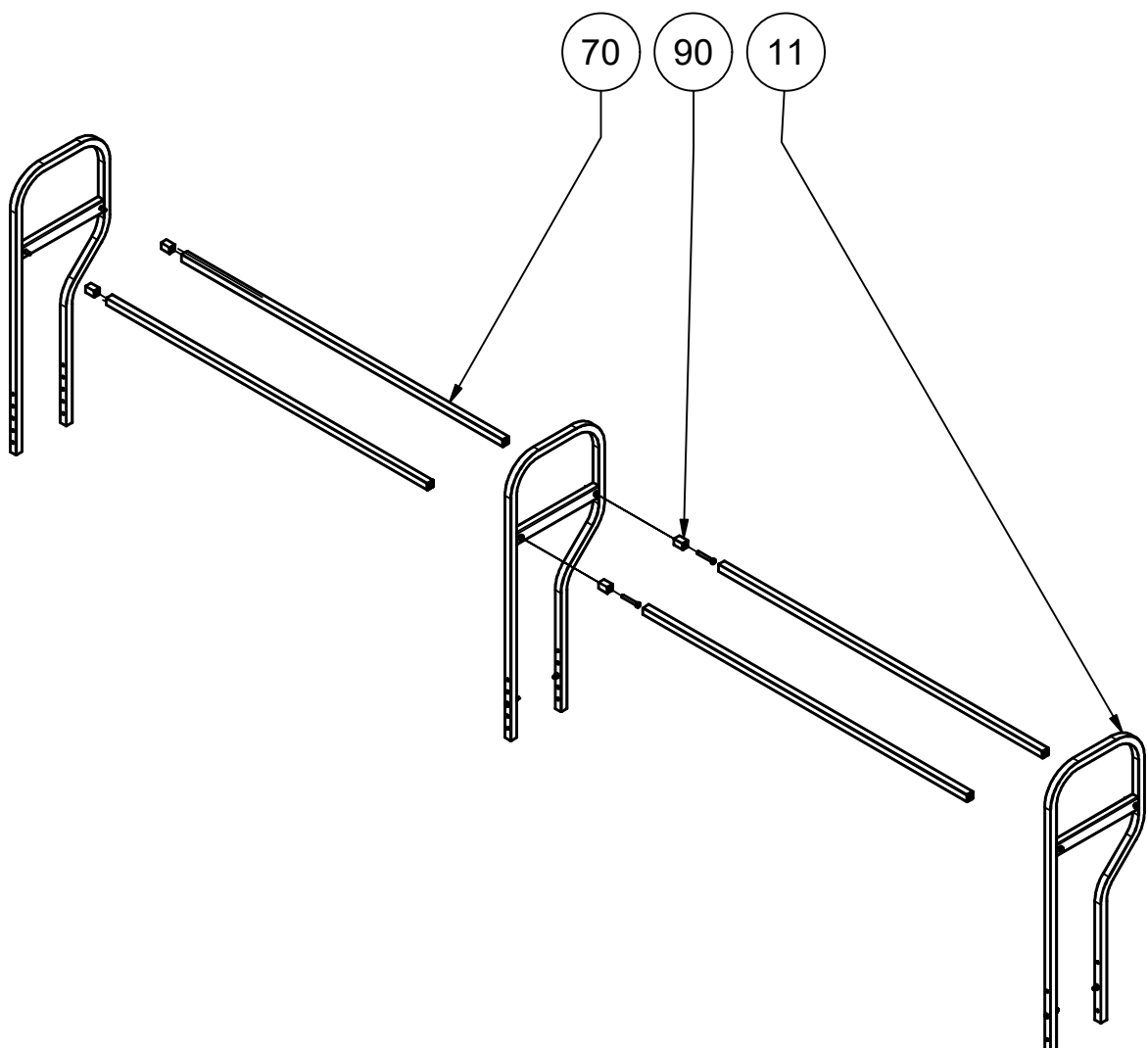


Prod.no.
 9F86547200
 9F86547600

Aut. stack.table 3 baskets, L<R, pass thru
 Aut. stack.table 3 baskets, R<L, pass thru

Edition: 5

2023-06



Prod.no.

9F86542900

9F86543000

9F86543100

9F86323200

9F86543200

Overshelf, empty basket storage 3 basket

Overshelf, empty basket storage 4 basket

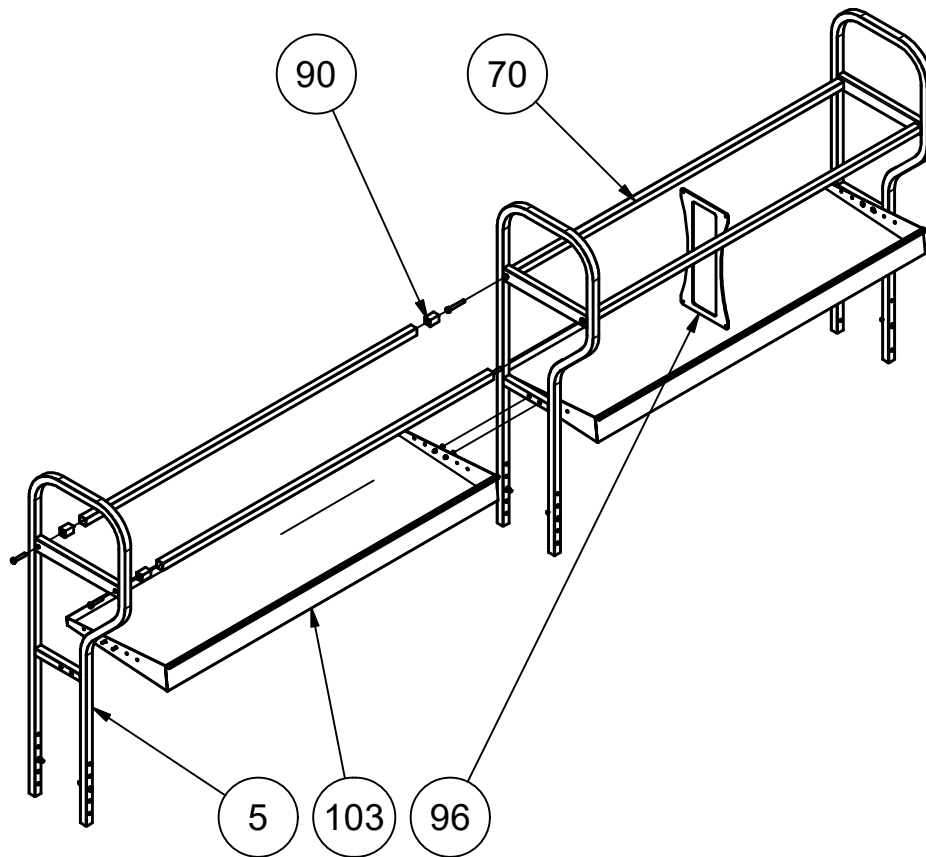
Overshelf, empty basket storage 5 basket

Overshelf, empty basket storage 6 basket

Overshelf, empty basket storage 3 basket

Edition: 5

2023-06



Prod.no.

9F86529800

9F86529900

9F86542700

9F86322700

9F86542800

Overshelf, empty basket storage 3 baskets

Overshelf, empty basket storage 4 baskets

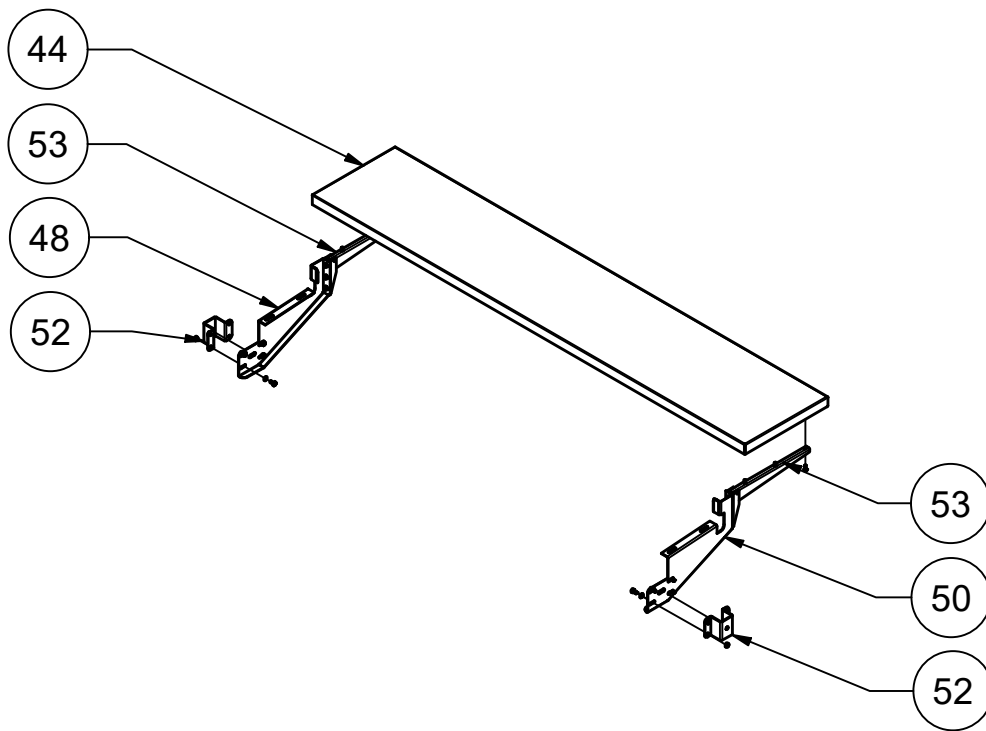
Overshelf, empty basket storage 5 baskets

Overshelf, empty basket storage 6 baskets

Overshelf, empty basket storage 3 baskets

Edition: 5

2023-06



Prod.no.

9F86545400

9F86545500

9F86545600

9F86323400

Foldable Trayslide for stacking table 3-baskets

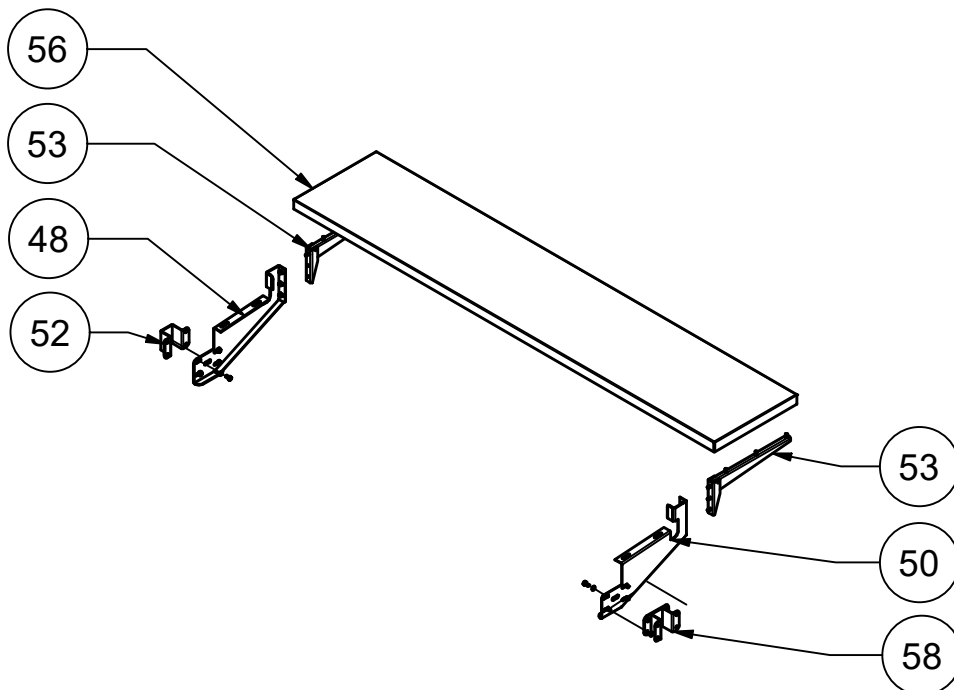
Foldable Trayslide for stacking table 4-baskets

Foldable Trayslide for stacking table 5-baskets

Foldable Trayslide for stacking table 6-baskets

Edition: 3

2019-06



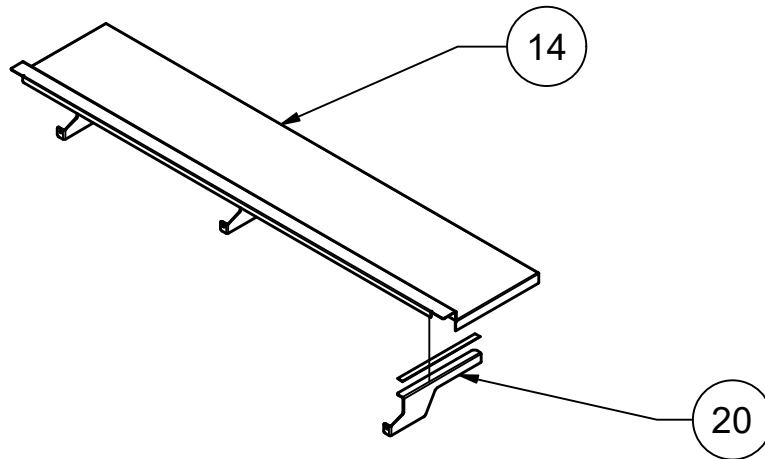
Prod.no.

9F86545700

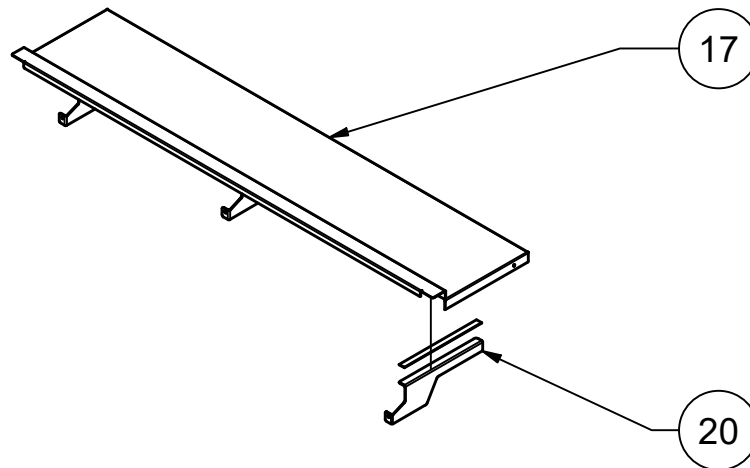
Foldable Trayslide, pass thru st.table 3-baskets

Edition: 2

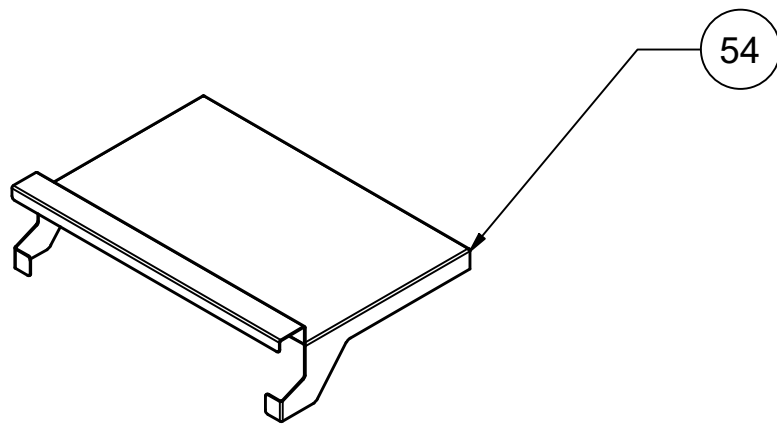
2017-10



Prod.no.	Trayslide for stacking table 3-baskets
9F86543300	Trayslide for stacking table 4-baskets
9F86543400	Trayslide for stacking table 5-baskets
9F86543500	Trayslide for stacking table 6-baskets
9F86323300	
Edition: 3	2019-06



Prod.no.	Trayslide for pass thru stacking table 3-baskets
9F86543600	Tray slide console (3 pcs)
9F86543700	
Edition: 2	2017-10

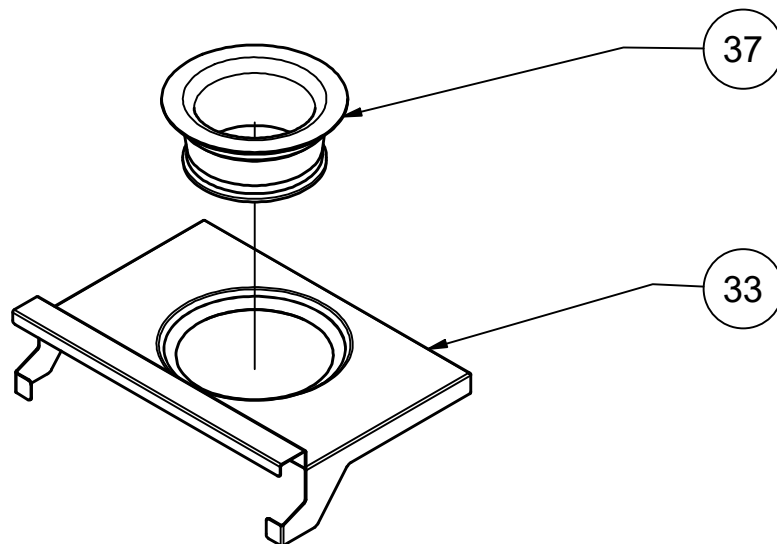


Prod.no.
9F86544400

Trayslide for stacking table L=500

Edition: 2

2017-10

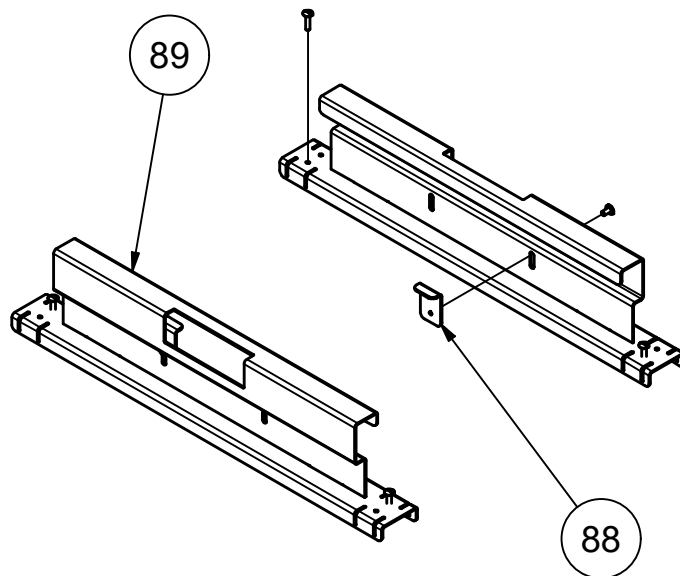


Prod.no.
9F86544500

Trayslide with garbage hole L=500

Edition: 2

2017-10

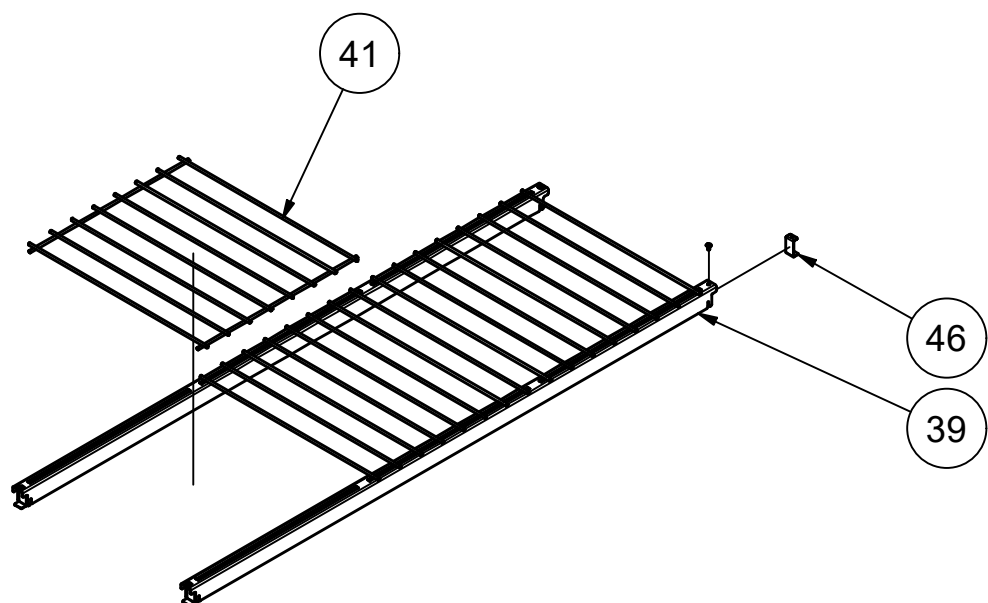


Prod.no.
9F86547800

Fastener, under shelf

Edition: 1

2019-06

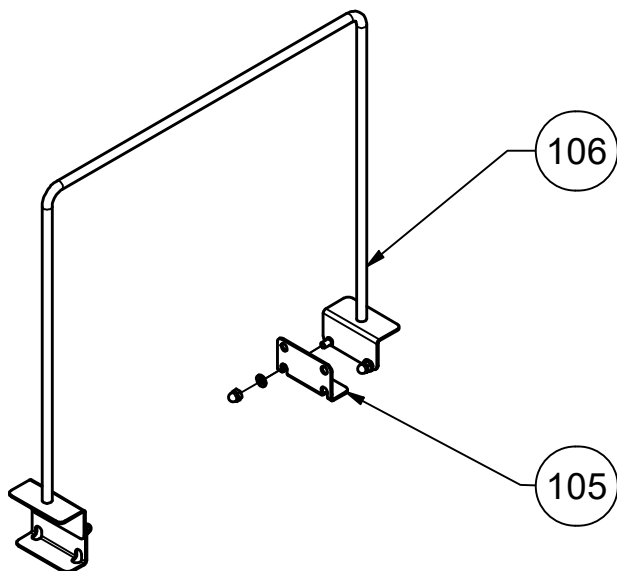


Prod.no.
9F86543800
9F86543900
9F86544000
9F86544100

Grind Shelf, Stack Table 3 Racks
Grind Shelf, Stack Table 4 Racks
Grind Shelf, Stack Table 5 Racks
Grind Shelf, Stack Table 6 Racks

Edition: 3

2019-06

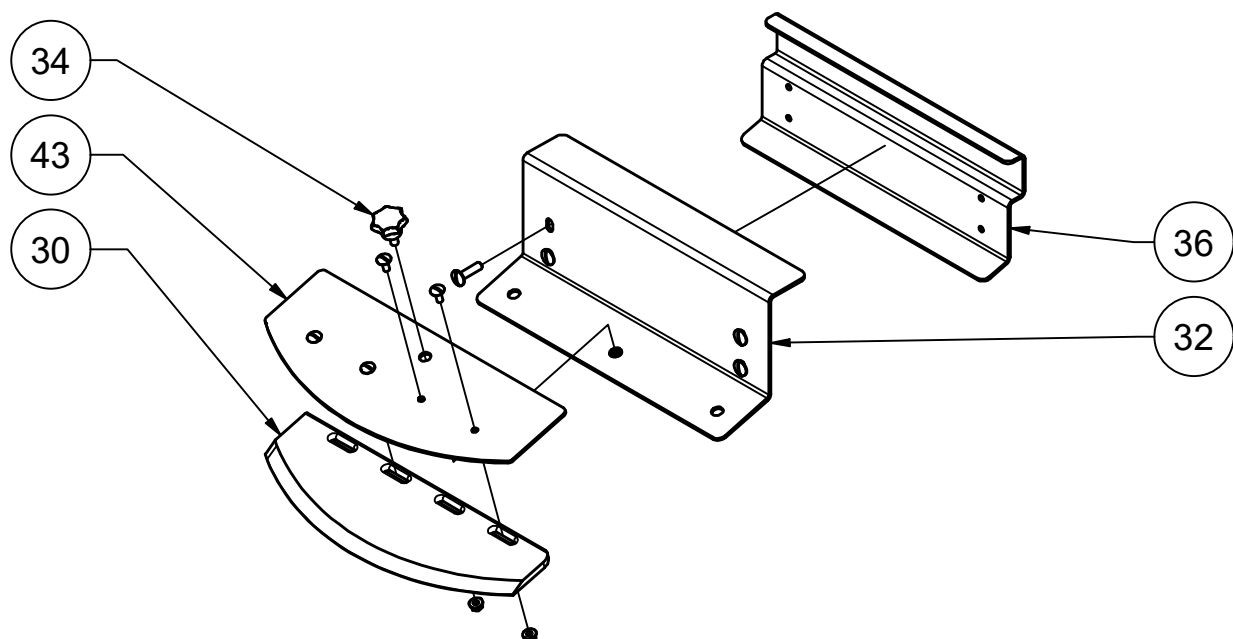


Prod.no.
9F86520800

Basket support

Edition: 1

2019-12

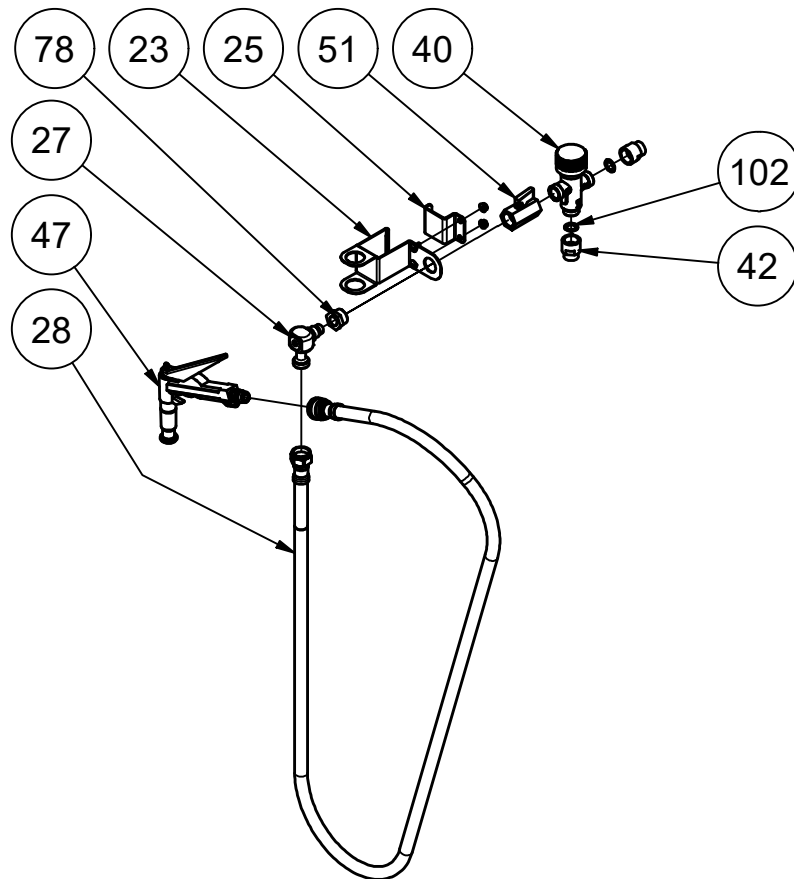


Prod.no.
9F86544700

Waste Scraper

Edition: 2

2017-10

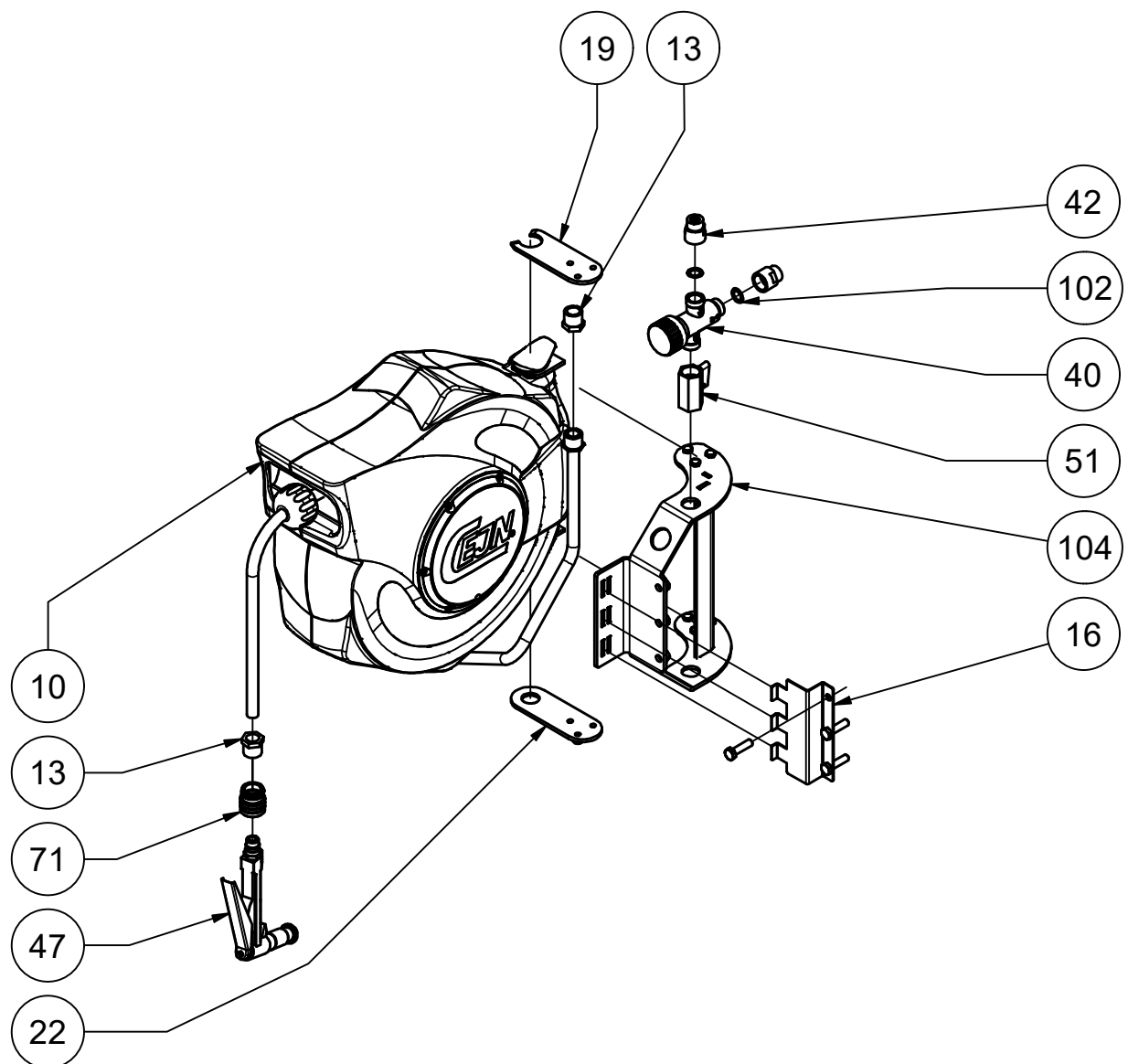


Prod.no.
9F86544300

Pre-rinse unit with fixed thermostatic water 1.5m

Edition: 2

2023-06

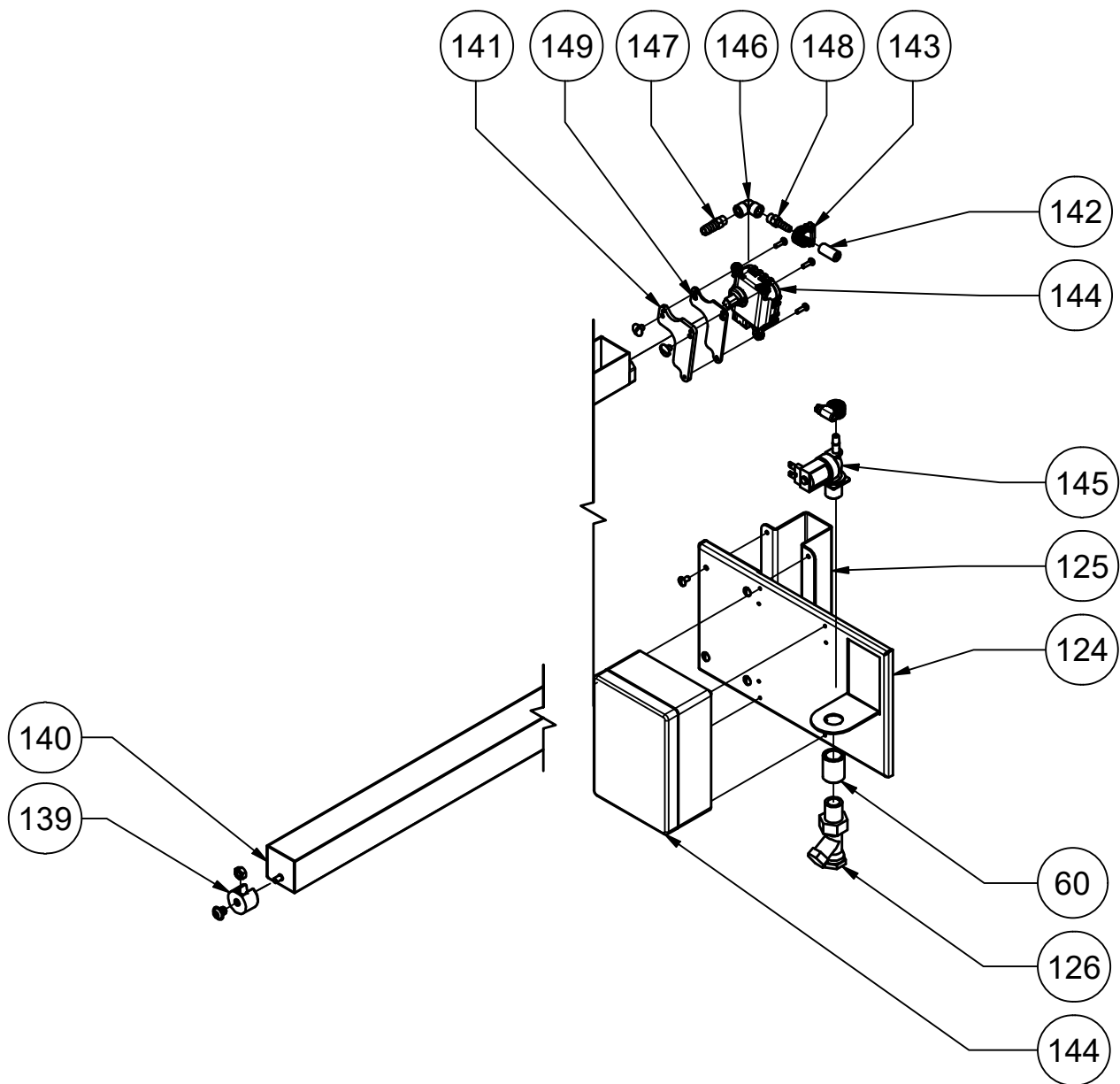


Prod.no.
9F86546000

Pre-rinse unit with fixed thermostatic water 14m

Edition: 5

2023-06

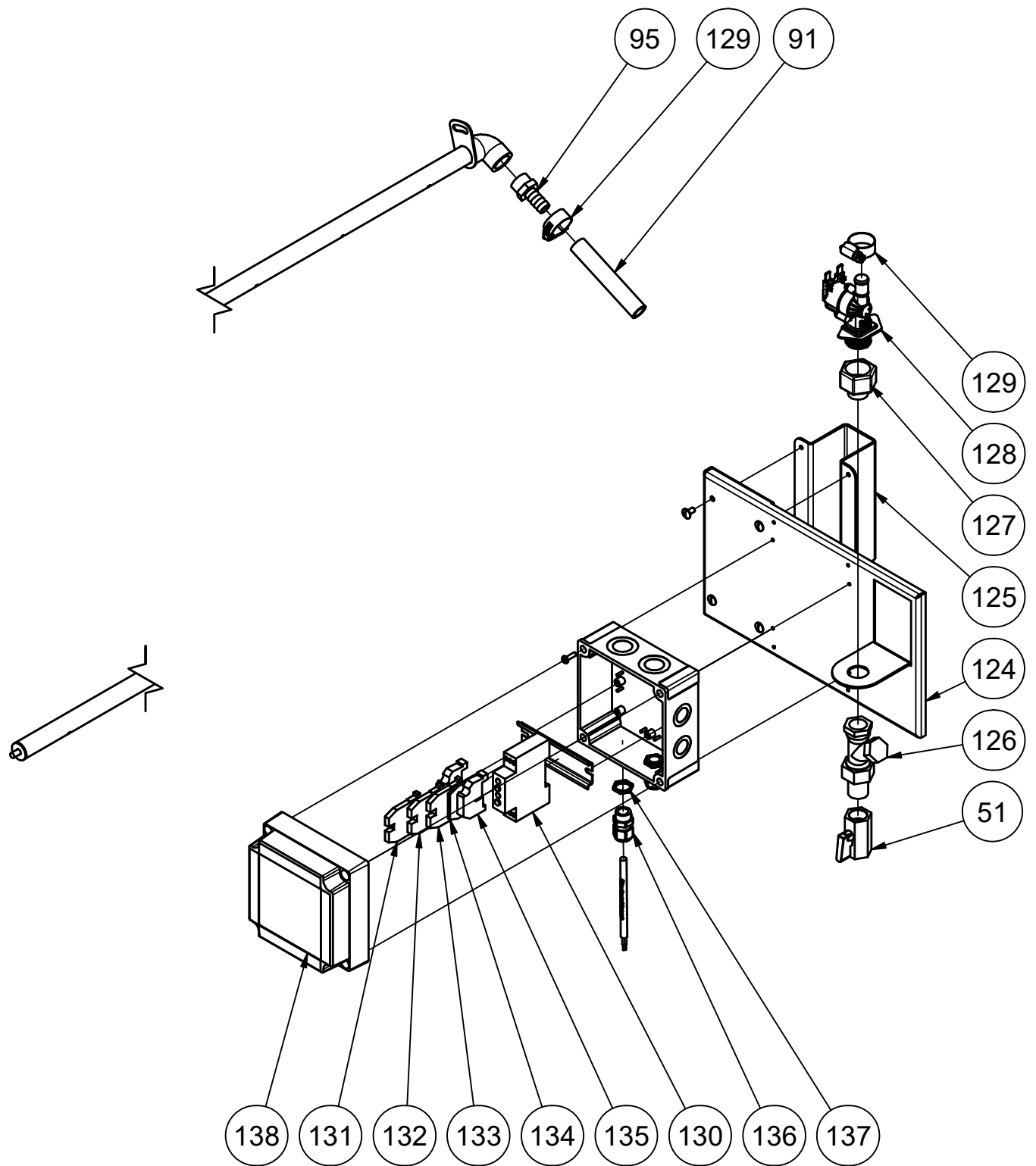


Prod.no.
 9F86544800
 9F86545000
 9F86323100
 9F86323600

Automatic Basin Flush, 3 Baskets
 Automatic Basin Flush, 4 Baskets
 Automatic Basin Flush, 5 Baskets
 Automatic Basin Flush, 6 Baskets

Edition: 4

2023-06

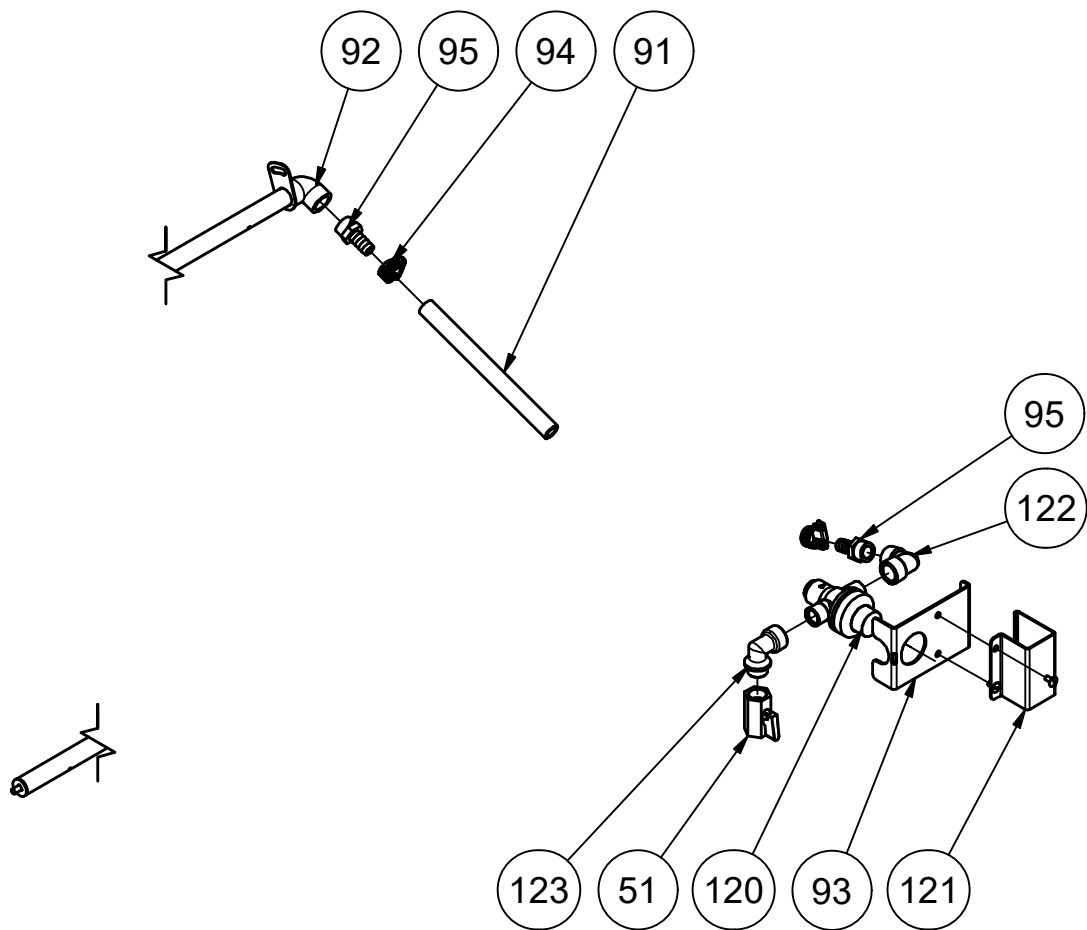


Prod.no.
 9F86325900
 9F86326000
 9F86326100
 9F86326200

Automatic Basin Flush, 3 Baskets
 Automatic Basin Flush, 4 Baskets
 Automatic Basin Flush, 5 Baskets
 Automatic Basin Flush, 6 Baskets

Edition: 1

2023-06



Prod.no.

9F86325500

9F86325600

9F86325700

9F86325800

Manual Basin Flush, 3 Baskets

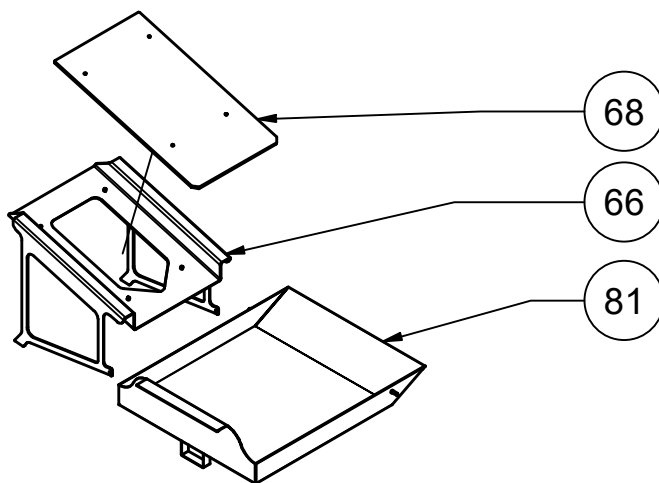
Manual Basin Flush, 4 Baskets

Manual Basin Flush, 5 Baskets

Manual Basin Flush, 6 Baskets

Edition: 1

2023-06

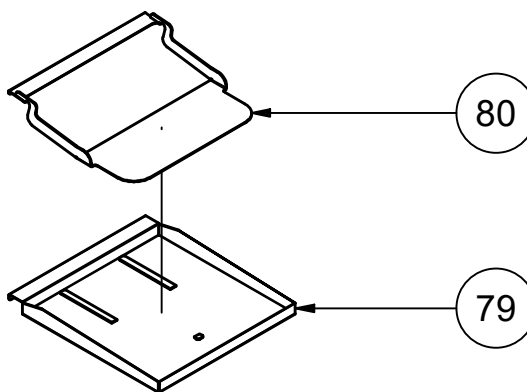


Prod.no.
9F86544200

Soaking Basket for Manual Stack Table

Edition: 1

2017-12



Prod.no.
9F86323000

Soaking Basket for DW driven Stack Table

Edition: 1

2017-12

49	ST0 44 81-00	Cord wheel (break)			
48	ST1 21 09-00	Bracket, Right, Foldable Tray Slide			
47	428 09 33-00	Hand held sprayer			
46	ST0 54 82-00	Locking clamp			
45	491 36 82-00	Cord Ø15			
44	ST1 21 07-03	Foldable Tray Slide, 3 Rack			865454
	ST1 21 07-04	Foldable Tray Slide, 4 Rack			865455
	ST1 21 07-05	Foldable Tray Slide, 5 Rack			865456
	ST1 26 97-00	Foldable Tray Slide, 6 Rack			863234
43	ST1 22 18-00	Attachment, Waste scraper			
42	428 14 71-00	Non return valve 1/2"			
41	ST1 15 33-00	Grid shelf, 476			
40	ST0 51 64-00	Mixing valve			
39	ST1 20 73-03	Rail, Gridshelf, Stack Table 3 Racks			865438
	ST1 20 73-04	Rail, Gridshelf, Stack Table 4 Racks			865439
	ST1 20 73-05	Rail, Gridshelf, Stack Table 5 Racks			865440
	ST1 20 73-06	Rail, Gridshelf, Stack Table 6 Racks			865441
38	ST1 19 11-00	Support, basket		2018-12-31	
	ST1 24 02-00		2019-01-01		
37	ST0 58 37-00	Rubber ring			
36	ST1 22 16-00	Attachment, waste scraper part 2			
35	ST1 20 84-00	Reinforcement, Mid Support, Stack Table			
34	ST0 99 10-00	Star knob Ø25 M5x10			
33	ST1 20 85-00	Tray Slide, garbage hole L=500			
32	ST1 22 15-00	Attachment, waste scraper part 1			
31	ST1 19 22-01	Stand, Stack Table Front Connectn. L>R			
30	ST2 21 34-03	Scraper			
29	ST1 23 98-00	Cover plate			
28	ST0 89 71-00	Mounted hose 1,5 m			
27	ST0 89 70-00	Swivel			
26	ST1 18 05-00	Connection Plate			
25	ST1 21 28-00	Bracket			
24	ST1 19 14-01	Stand Back Cpl, Stack Table L>R			
23	ST1 21 27-00	Bracket			
22	ST1 25 55-00	Bracket, lower			
21	476 84 47-00	Drain connection 1 1/2"			
20	ST1 19 61-00	Brackets for Tray Slide			
19	ST1 25 54-00	Bracket, upper			
18	ST1 17 72-03	Mid Support, Stack Table, 3 Racks			865257,865204,865261,865294
	ST1 17 72-04	Mid Support, Stack Table, 4 Racks			865260,865207,865293,865297
	ST1 17 72-05	Mid Support, Stack Table, 5 Racks			865258, 865205,865262,865295
	ST1 17 72-06	Mid Support, Stack Table, 6 Racks			865258,865205,865262,865295
17	ST1 20 97-03	Tray Slide, Pass Through 3 Rack			
16	ST1 25 56-00	Bracket, bar			
15	ST0 33 76-00	Foot cpl.			
14	ST1 18 95-03	Tray Slide, 3 Rack			865433
	ST1 18 95-04	Tray Slide, 4 Rack			865434
	ST1 18 95-05	Tray Slide, 5 Rack			865435
	ST1 26 98-00	Tray Slide, 6 Rack			863233
13	499 85 26-00	Bushing 1/2"-3/8"			
12	ST1 19 13-01	Stand Front Cpl, Stack Table L>R			
11	ST1 20 70-00	Gable Cpl, Plain Upper Shelf			
10	ST1 26 30-00	Hose reel 14M 1/2"			
9	ST0 33 59-00	Snap on			
8	428 02 89-00	Strainer plate Ø114			
7	ST1 29 95-02	Slide rail			
6	ST0 33 90-00	Strainer basket			
5	ST1 18 65-00	Gable Cpl, Double Upper Shelf			
4	ST1 22 10-00	Basket Support			
3	ST1 24 68-06	Cord Guide L=510 ext.			863225, 865226
2	ST1 24 79-00	Reinforcement, Mid Support, Stack Table			
1	4914854-04	Long roller			
Pos.	Art. No.	Description	From	To	Note

89	ST1 24 47-00	Attachment, lowred under shelf			
88	ST1 23 70-00	fasterner			
87	ST1 27 93-50	Side cover L			
86	ST1 27 93-00	Side cover R			
85	ST1 24 45-00	Funnel			
84	ST1 27 81-00	Strainer box H:50			
83	476 80 48-00	Drain pipe connection			
82	ST1 24 08-00	Rack for strainer			
81	ST1 22 20-00	Soaking Basket Cpl			
80	ST1 20 78-00	Basket Lift Cpl			
79	ST1 20 75-00	Soaking Basin Weld			
78	741 41 08-24	Bussning ½" utv - ¼" inv			
77	ST1 22 61-00	Stretch Plate			
76	ST1 21 16-00	Flow Return Cpl, DW-dr. Stack Table			
75	ST1 22 60-00	Slide Bearing			
74	ST1 06 17-00	Support			
73	741 11 13-24	Slide Sheet Bracket, DWD Thru StackTbl			
72	ST1 24 68-00	Cord Guide L=1576,25			
71	ST0 51 47-00	Hose coupling ½" female- Nito			
70	ST1 20 91-03	Tube, Upper Shelf, 3 Rack, Through			865428, 865432
	ST1 18 66-03	Tube, Upper Shelf, 3 Rack			865298, 865429
	ST1 18 66-04	Tube, Upper Shelf, 4 Rack			865299, 865430
	ST1 18 66-05	Tube, Upper Shelf, 5 Rack			865427, 865431
	ST1 18 66-06	Tube, Upper Shelf, 6 Rack			863227, 863232
69	ST0 51 73-00	Low friction stripe			
68	ST1 22 89-00	Slide Plane			
67	ST1 23 07-03	Mid Support, Cord. Stack Table, 3 Racks		2022-12-31	865469, 865473
	ST1 23 07-04	Mid Support, Cord. Stack Table, 4 Racks		2022-12-31	865474, 865470
	ST1 23 07-05	Mid Support, Cord. Stack Table, 5 Racks R		2022-12-31	865475, 865471
	ST1 23 07-15	Mid Support, Cord. Stack Table, 5 Racks L		2022-12-31	
	ST1 23 07-06	Mid Support, Cord. Stack Table, 6 Racks R		2022-12-31	863225, 865226
	ST1 23 07-16	Mid Support, Cord. Stack Table, 6 Racks L		2022-12-31	
	ST1 23 09-03	Mid Support, Cord. Stack Table, 3 Racks	2023-01-01		865469, 865473
	ST1 23 09-04	Mid Support, Cord. Stack Table, 4 Racks	2023-01-01		865474, 865470
	ST1 23 09-05	Mid Support, Cord. Stack Table, 5 Racks R	2023-01-01		865475, 865471
	ST1 23 09-15	Mid Support, Cord. Stack Table, 5 Racks L	2023-01-01		
	ST1 23 09-06	Mid Support, Cord. Stack Table, 6 Racks R	2023-01-01		863225, 865226
	ST1 23 09-16	Mid Support, Cord. Stack Table, 6 Racks L	2023-01-01		
66	ST1 22 24-01	Slope Slide			
65	ST1 22 57-00	Shaft			
64	ST1 18 91-00	Slide Sheet, DW driven Stack Table			
63	ST1 22 58-00	Cord wheel, return Unit			
62	ST1 22 62-00	Stretch Cover Cpl			
61	ST0 36 99-00	Connecting part			
60	741 21 13-20	Sleeve ½"	17-11-07		
59	ST1 23 09-03	Cord Guide, Stack Table 3 Rack			
	ST1 23 09-04	Cord Guide, Stack Table 4 Rack			
	ST1 23 09-05	Cord Guide, Stack Table 5 Rack			
58	ST1 21 24-00	Bracket Cpl, Tray Slide Pass Thru			
57	ST1 18 75-01	Plug Ø=6,4			
56	ST1 21 22-03	Foldable Tray Slide Pass Thru 3 Rack			
55	ST0 44 82-00	Shaft			
54	ST1 18 93-00	Tray Slide L=500			
53	520 15 76-00	Foldable console			
52	ST1 21 11-00	Leg Bracket, Foldable Tray Slide			
51	ST1 21 29-00	Ball valve ½"			
50	ST1 21 09-01	Bracket, Left, Foldable Tray Slide			
Pos.	Art. No.	Description	From	To	Note

119	ST1 20 35-00	Carrier			
118	ST1 21 03-00	Close Fitting Bolt			
117	732 31 16-40	Dome nut MHM M6			
116	734 11 53-09	Washer, 6,4x12x1,5			
115	520 27 51-00	Screw, carrier			
114	520 27 52-00	Carrier			
113	ST1 22 07-03	Feeding Arm, Weld, Pass Thru 3 Racks			
112	ST1 20 35-00	Carrier			
111	520 27 51-00	Screw, carrier			
110	520 27 52-00	Carrier			
109	ST1 18 87-03	Feeding arm, Weld Assy, 3 Racks			865461, 865465
	ST1 18 87-04	Feeding arm, Weld Assy, 4 Racks			865462, 865466
	ST1 18 87-05	Feeding arm, Weld Assy, 5 Racks			865463, 865467
108	ST1 28 72-00	Cord protection, Rh, inner.			
107	ST1 28 68-01	Cord Cover, Return Unit, Outer, Left			
104	ST1 25 53-00	Bracket, Hose reel			
103	ST1 20 92-03	Lower Upper Shelf, Through, 3 Rack			865428
	ST1 18 70-03	Lower Upper Shelf, 3 Rack			865298
	ST1 18 70-04	Lower Upper Shelf, 4 Rack			865299
	ST1 18 70-05	Lower Upper Shelf, 5 Rack			865427
	ST1 18 70-08	Lower Upper Shelf, 6 Rack			863227
102	ST2 31 21-16	Washer, Non return valve			
101	ST1 28 72-01	Cord protection, Lh, inner.			
100	ST1 23 11-00	Support, Cord Guide, Stack Table		2022-12-31	
	ST1 40 54-00		2023-01-01		
99	ST1 18 85-03	Mid bracket, DW dr. Stack Table, 3 Rack		2022-12-31	865465, 865461, 865468, 865464
	ST1 18 85-04	Mid bracket, DW dr. Stack Table, 4 Rack		2022-12-31	865466, 865462
	ST1 18 85-05	Mid bracket, DW dr. Stack Table, 5 Rack Rh		2022-12-31	865467, 865463
	ST1 18 85-15	Mid bracket, DW dr. Stack Table, 5 Rack Lh		2022-12-31	
	ST1 40 57-03	Mid bracket, DW dr. Stack Table, 3 Rack	2023-01-01		865465, 865461, 865468, 865464
	ST1 40 57-04	Mid bracket, DW dr. Stack Table, 4 Rack	2023-01-01		865466, 865462
	ST1 40 57-05	Mid bracket, DW dr. Stack Table, 5 Rack Rh	2023-01-01		865467, 865463
	ST1 40 57-15	Mid bracket, DW dr. Stack Table, 5 Rack Lh	2023-01-01		
98	ST1 18 92-00	Slide Sheet Bracket, DW dr. Stack Table		2022-12-31	
	ST1 40 55-00		2023-01-01		
97	ST1 22 13-00	Reinforcement, DW-driven Stack Table			
96	ST1 26 99-03	Support bracket			
95	552 21 40-21	Nipple 15x½" m. thread			
94	736 28 19-51	Hose Clamp Ø15-24			
93	ST1 40 63-00	Push-button plate			
92	ST1 40 66-03	Spraying tube 3 basket			863255, 863259
	ST1 40 66-04	Spraying tube 4 basket			863256, 863260
	ST1 40 66-05	Spraying tube 5 basket			863257, 863261
91	520 54 76-00	Hose PVC Transp.			
90	ST1 18 64-00	Tube Fitting 30x30			865298, 865299, 865429, 865430
	ST1 27 52-00	Tube Fitting 50x30			865428, 865432
106	ST1 28 15-00	Bracket			
105	ST1 28 16-00	Support			
Pos.	Art. No.	Description	From	To	Note

149	ST1 23 38-01	Bracket, Basin Flush			
148	552 21 40-00	Hose nipple 6x 1/4"			
147	552 21 40-02	Hose nipple DN6x3/8"			
146	742 11 09-20	Elbow 1/8"			
145	ST1 23 46-00	Solenoid Valve			
144	ST1 23 25-00	ECU Cpl, Basin Flush			
143	ST0 73 66-05	Hose Clamp 10,5-12,5			
142	ST0 46 28-00	Hose PPE 12x6			
141	ST1 23 38-00	Motor Bracket, Basin Flush			
140	ST1 23 43-03	Container Cpl 3,1 l, Basin Flush 3 Racks			865448
	ST1 23 43-04	Container Cpl 4,2 l, Basin Flush 4 Racks			865450
	ST1 23 43-05	Container Cpl 5,2 l, Basin Flush 5 Racks			863231
	ST1 23 43-08	Container Cpl 6,1 l, Basin Flush 6 Racks			863236
139	491 44 43-00	Attachment			
138	ST3 18 69-00	Electrical cabinet PC 130x130x100			
137	ST0 28 64-02	Nut M16x1,5			
136	ST0 31 45-09	Cable gland M16			
135	552 22 55-00	End support 2,5-70			
134	552 22 54-00	End plate 2,5-10			
133	552 22 52-02	Connection block Y/G 4mm ²			
132	552 22 51-02	Connection block Blue 4mm ²			
131	552 22 50-02	Connection block gray 4mm ²			
130	ST0 12 43-00	Time relay			
129	736 28 19-90	Hose clamp Ø15-24 B:12 Ss			
128	ST1 42 35-00	Valve R154 230V			
127	475 82 99-13	Nipple 1/2"-3/4"			
126	ST0 28 92-00	Radiator coupling 1/2"			
125	ST1 23 41-00	Bracket			
124	ST1 23 40-00	Bracket for Valve and ECU			
123	742 11 13-25	Elbow 90° 1/2" female-1/2" male			
122	742 11 13-24	Bend 1/2" - 1/2" Chrome			
121	ST1 40 64-00	Locking clamp			
120	ST1 40 70-00	Push-button valve			
Pos.	Art. No.	Description	From	To	Note