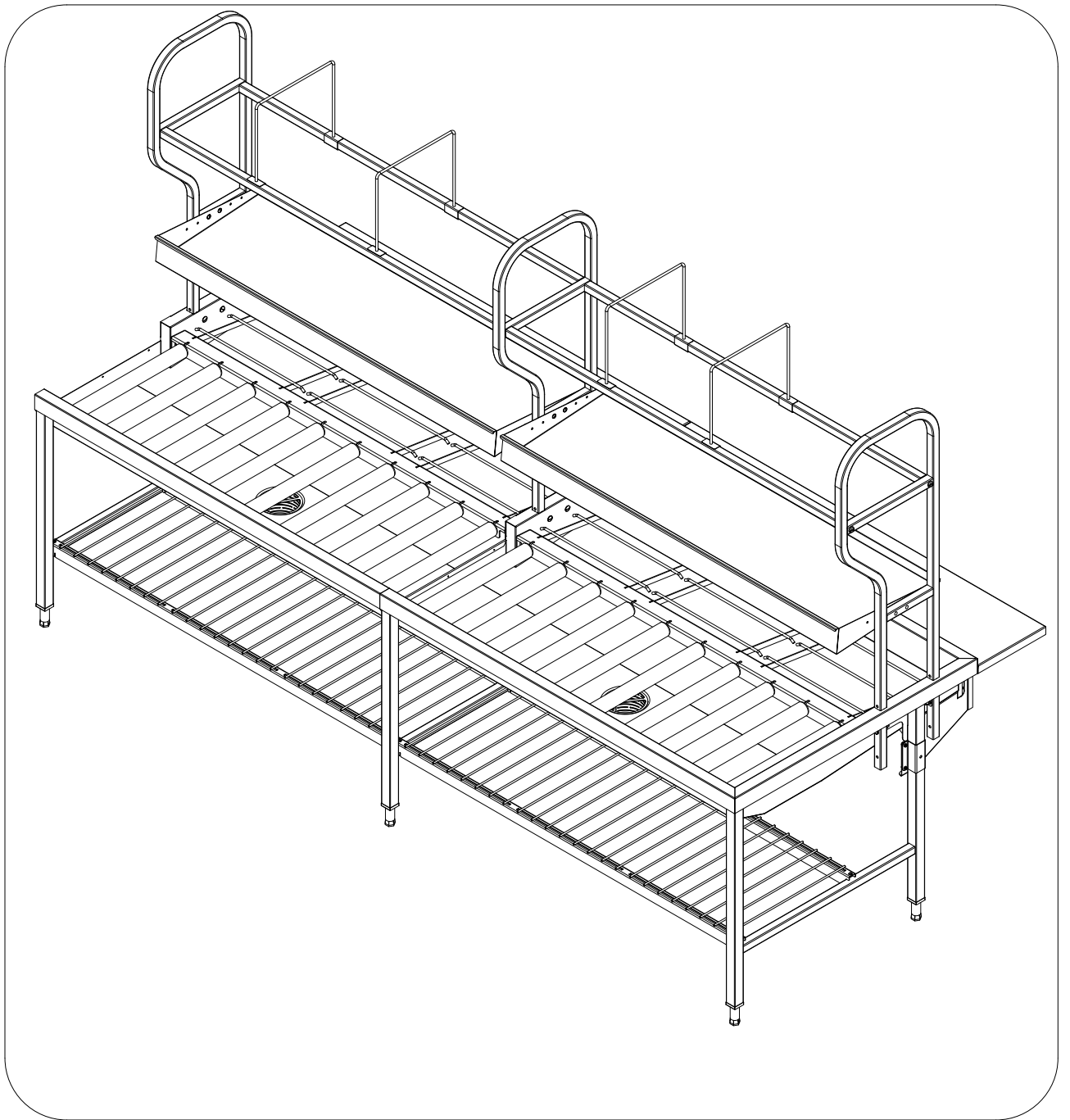


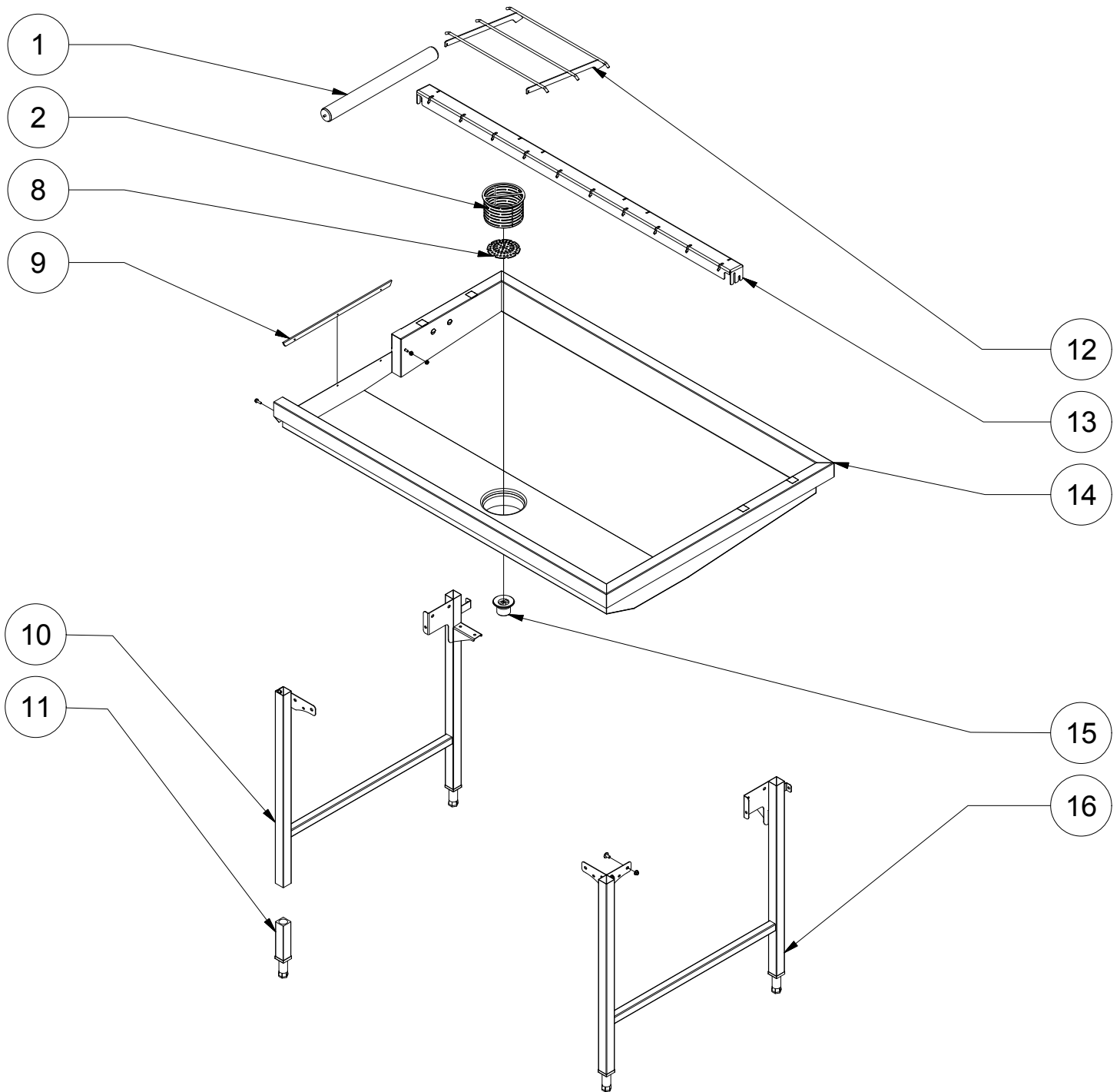
Spare part list



MANUAL STACKING TABLE



DOC. NO. **ST11793-60**
EDITION 1 2017.08



Prod.no.

9F86520400

9F86520500

9F86520600

9F86525700

9F86525800

9F86525900

Man. stacking table, 3 baskets L<R operated

Man. stacking table, 4 baskets L<R operated

Man. stacking table, 5 baskets L<R operated

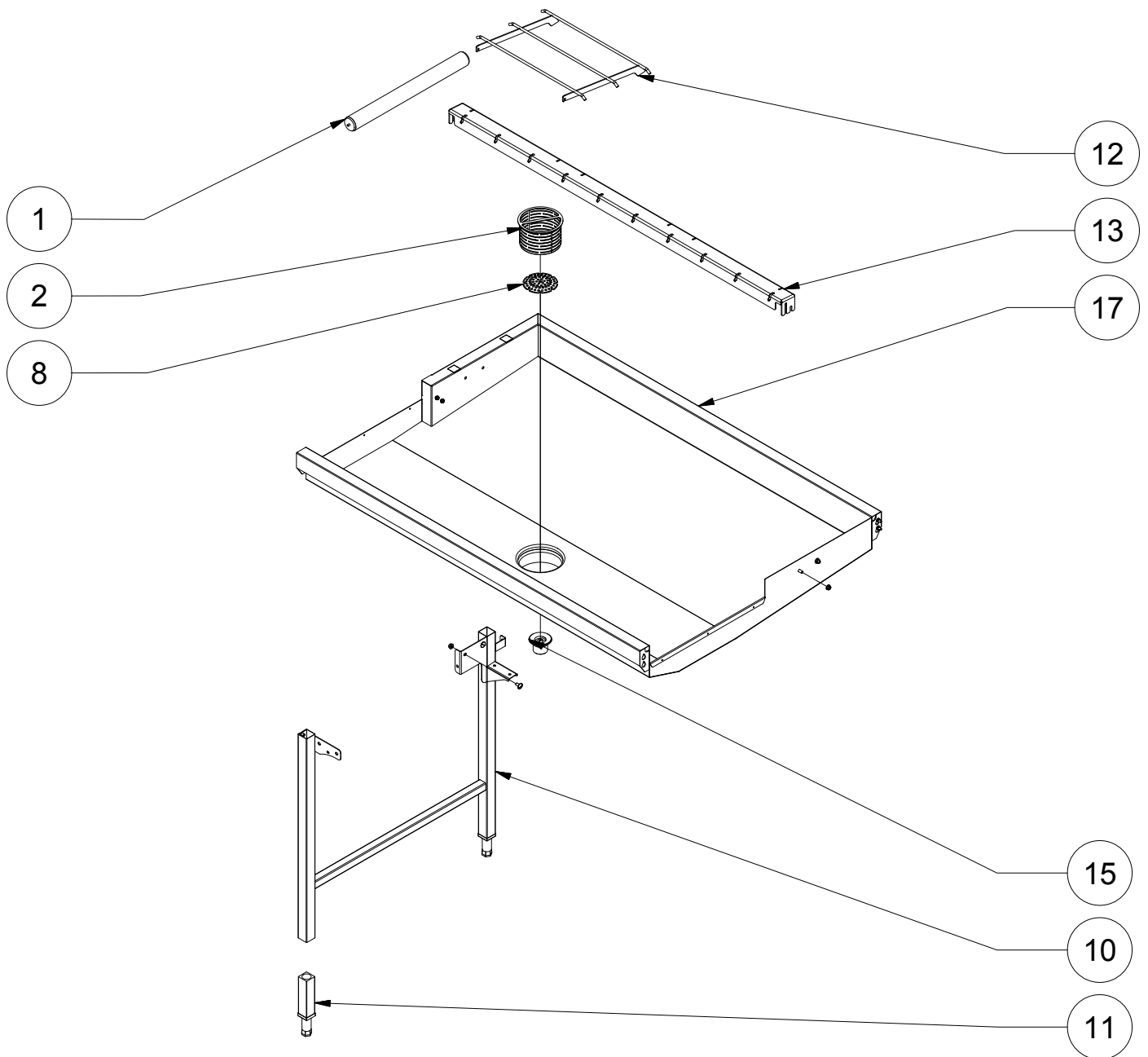
Man. stacking table, 3 baskets R<L operated

Man. stacking table, 4 baskets R<L operated

Man. stacking table, 5 baskets R<L operated

Edition: 1

2017-08



Prod.no.

9F86520700

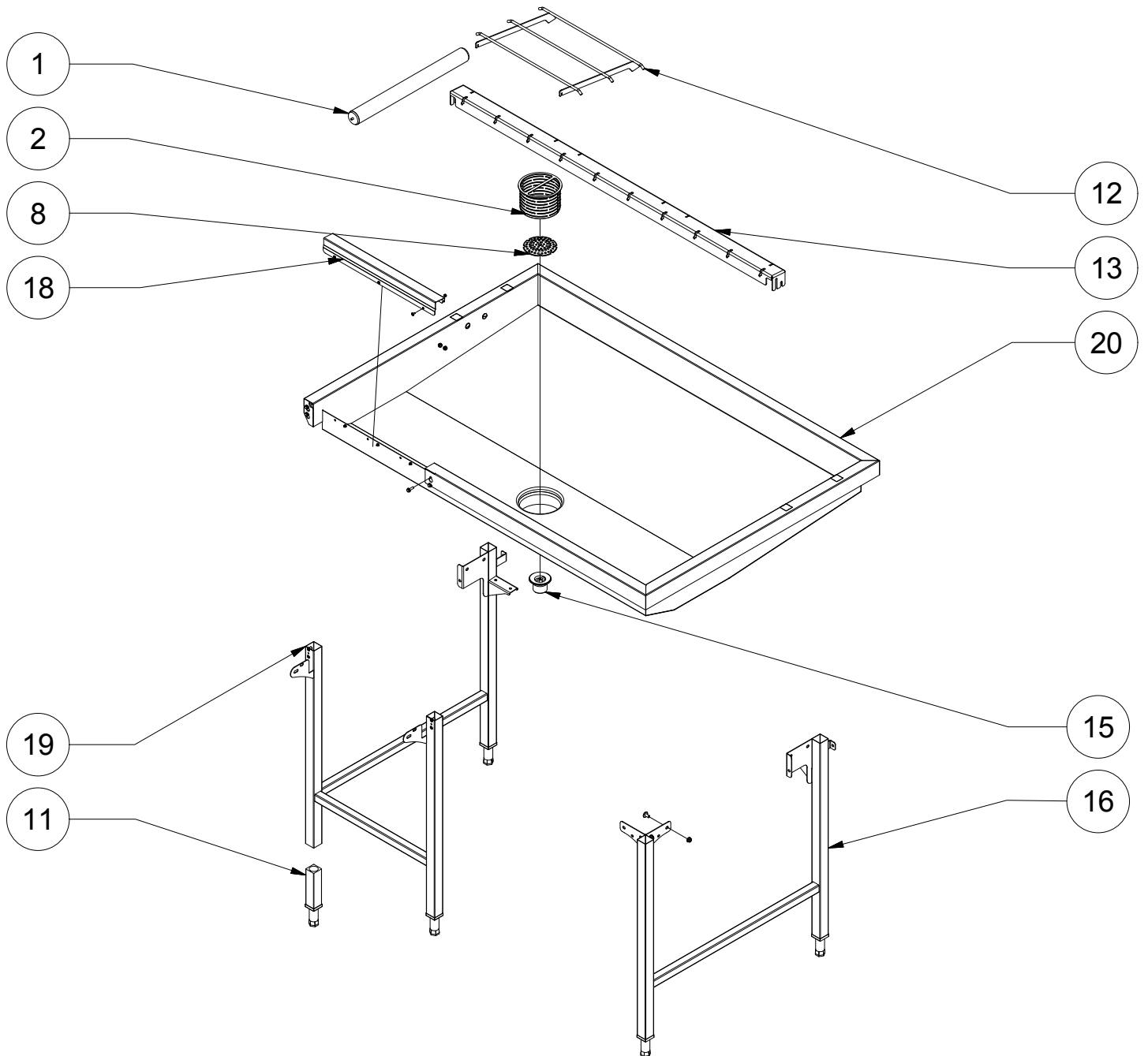
9F86526000

Man.pass thru st. table, 3 baskets L<R operated

Man.pass thru st. table, 3 baskets R<L operated

Edition: 1

2017-08



Prod.no.

9F86526100

9F86526200

9F86529200

9F86529400

9F86529500

9F86529600

Man. stacking table, 3 baskets L<R operated

Man. stacking table, 4 baskets L<R operated

Man. stacking table, 5 baskets L<R operated

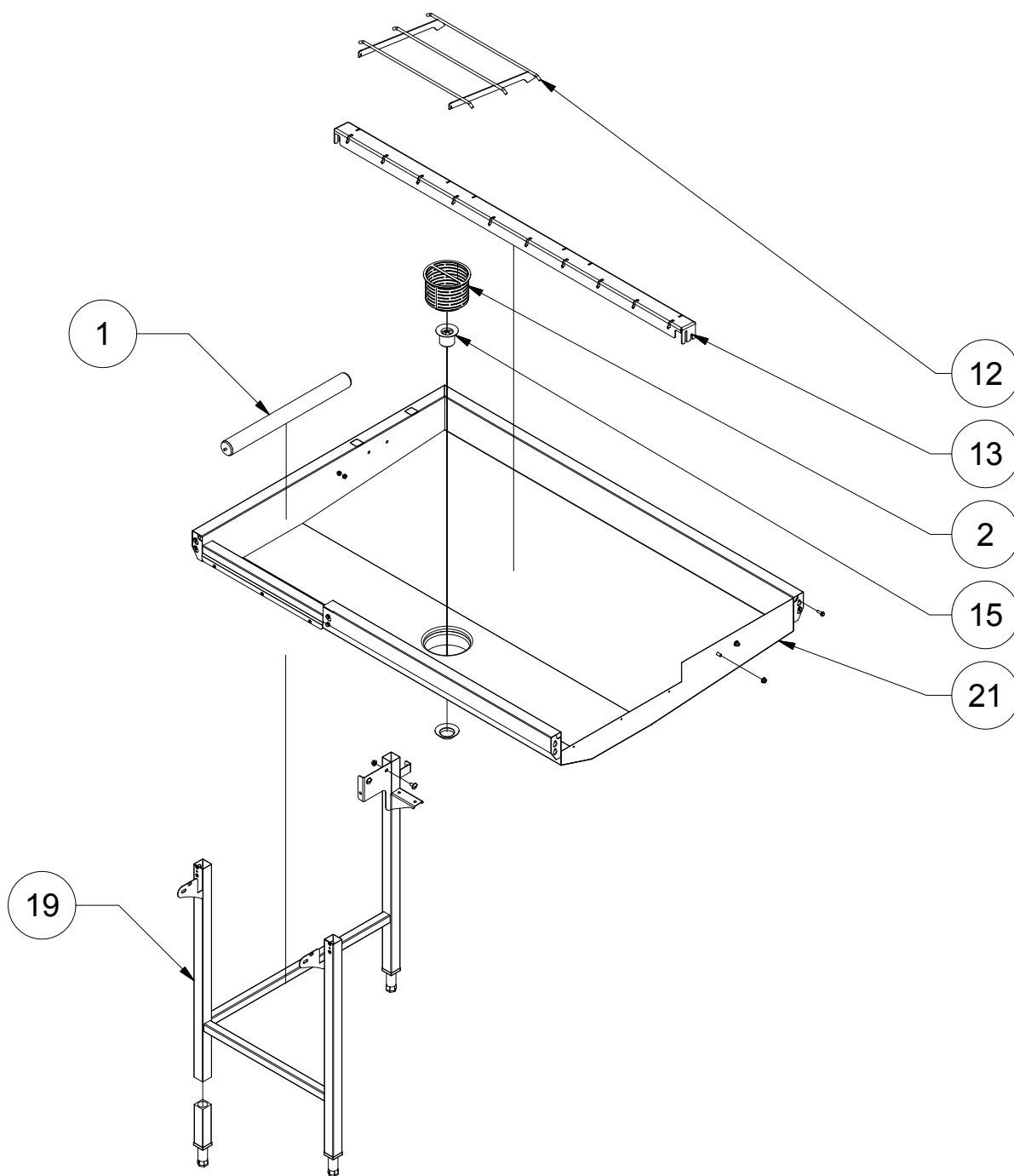
Man. stacking table, 3 baskets R<L operated

Man. stacking table, 4 baskets R<L operated

Man. stacking table, 5 baskets R<L operated

Edition: 1

2017-08

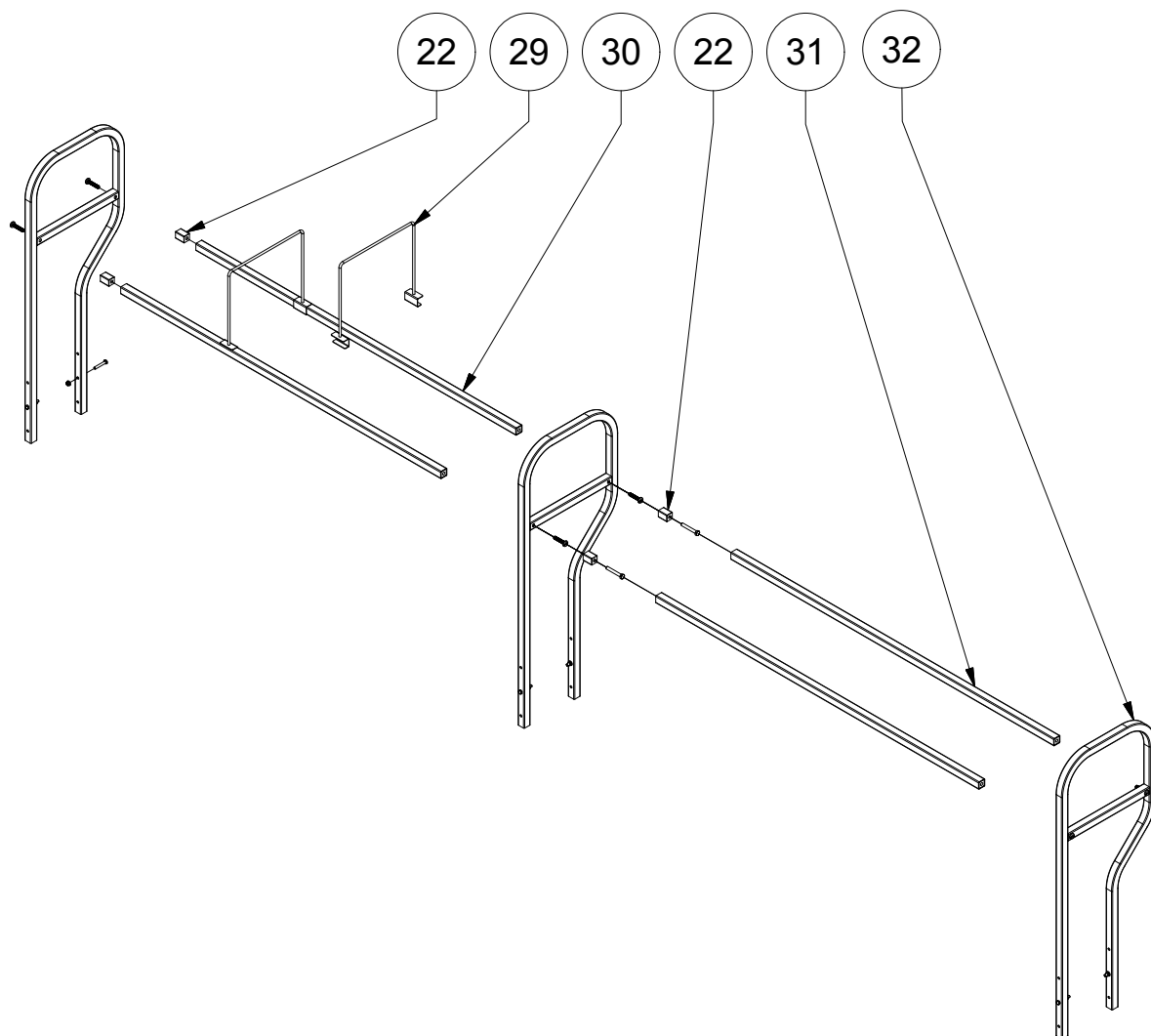


Prod.no.
 9F86529300
 9F86529700

Man.pass thru st. table, 3 baskets L<R operated
 Man.pass thru st. table, 3 baskets R<L operated

Edition: 1

2017-08



Prod.no.

9F86542900

9F86543000

9F86543100

9F86543200

Overshelf, empty basket storage 3 baskets

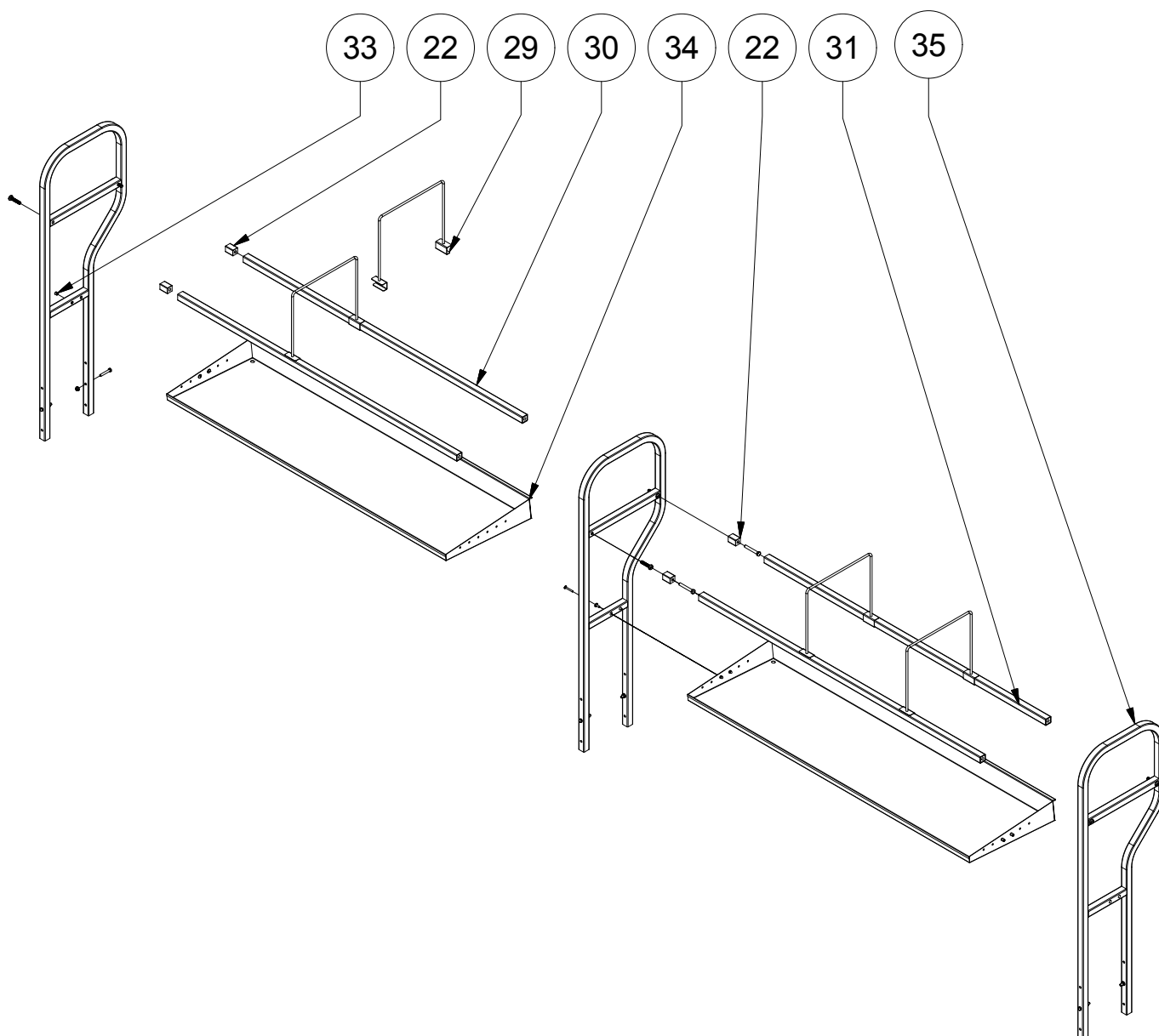
Overshelf, empty basket storage 4 baskets

Overshelf, empty basket storage 5 baskets

Overshelf, empty basket storage 3 baskets

Edition: 1

2017-08



Prod.no.

9F86529800

9F86529900

9F86542700

9F86542800

Overshelf, empty basket storage 3 baskets

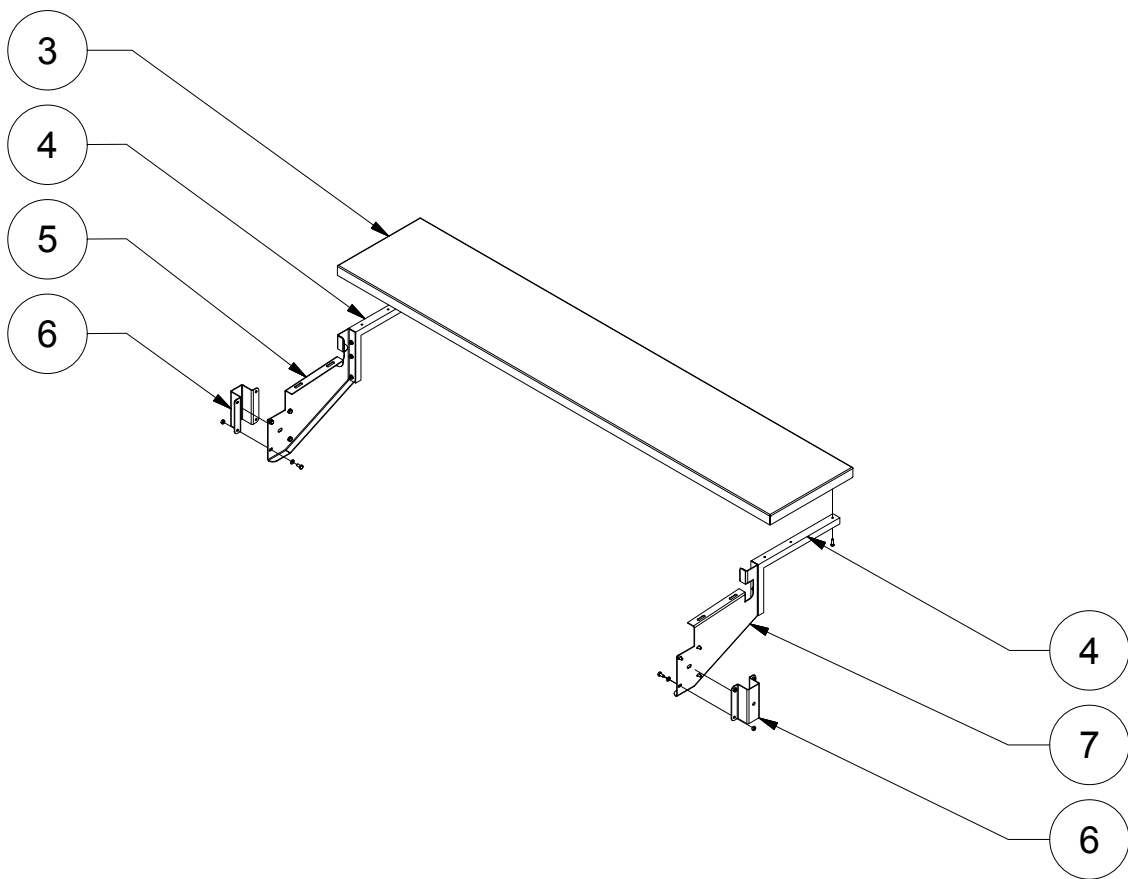
Overshelf, empty basket storage 4 baskets

Overshelf, empty basket storage 5 baskets

Overshelf, empty basket storage 3 baskets

Edition: 1

2017-08



Prod.no.

9F86545400

9F86545500

9F86545600

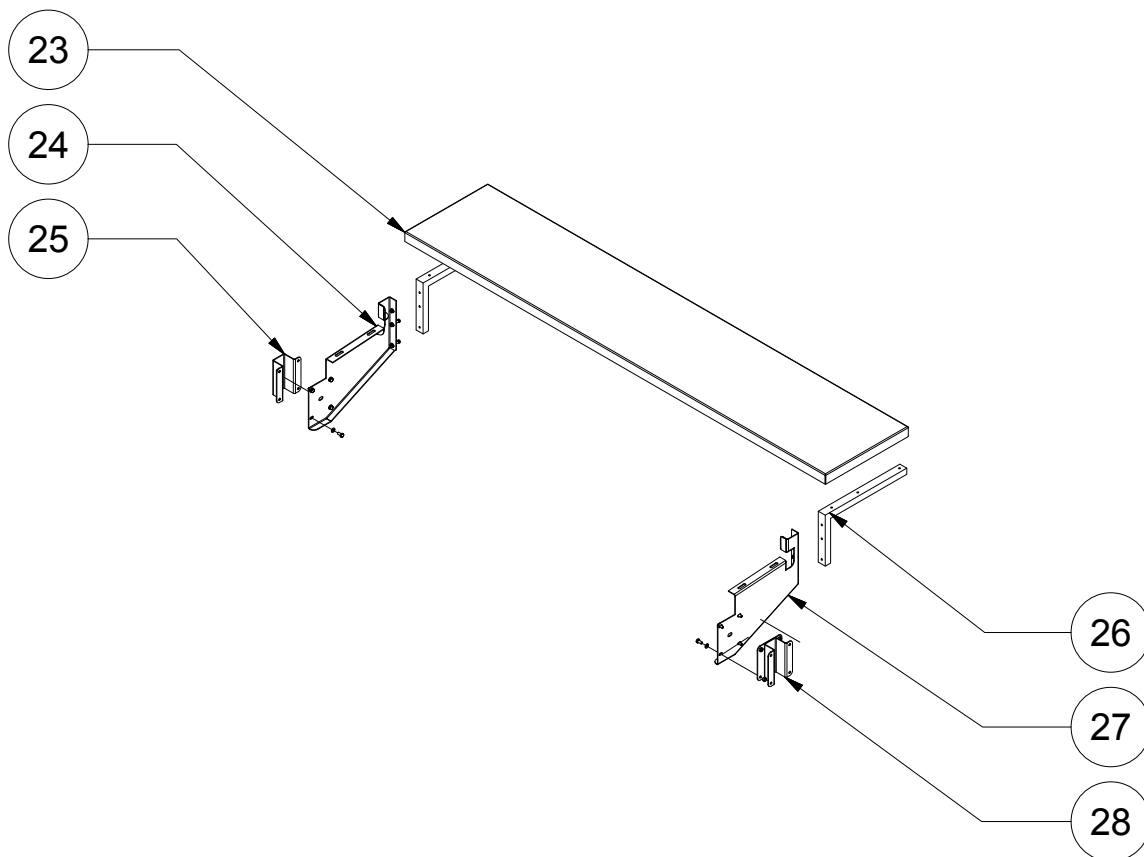
Foldable Trayslide for stacking table 3-baskets

Foldable Trayslide for stacking table 4-baskets

Foldable Trayslide for stacking table 5-baskets

Edition: 1

2017-08

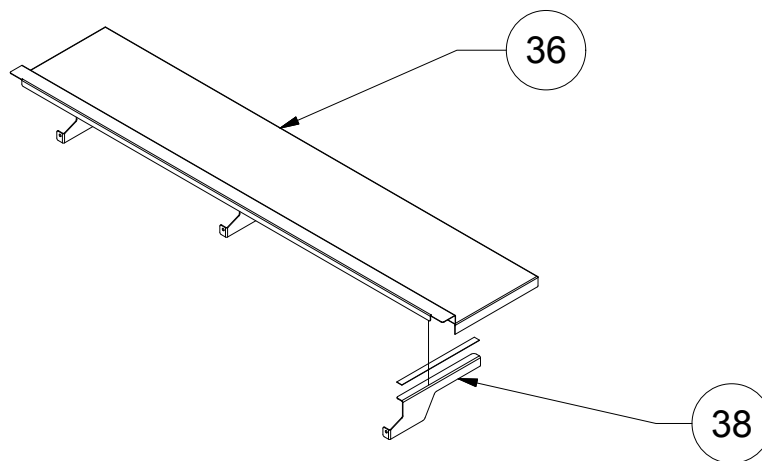


Prod.no.
9F86545700

Foldable Trayslide, pass thru st.table 3-baskets

Edition: 1

2017-08



Prod.no.

9F86543300

9F86543400

9F86543500

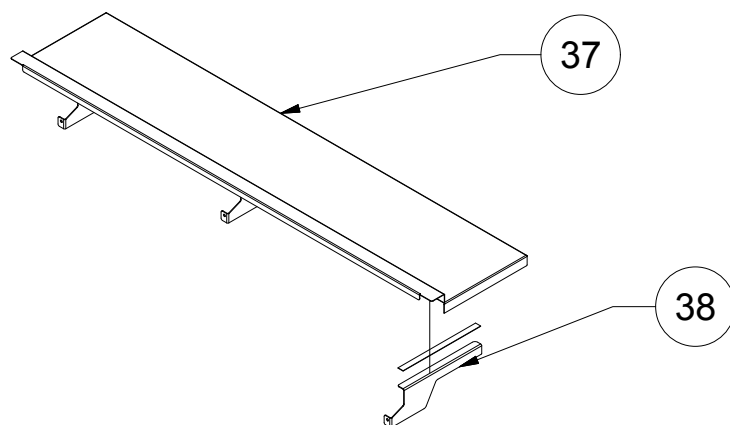
Trayslide for stacking table 3-baskets

Trayslide for stacking table 4-baskets

Trayslide for stacking table 5-baskets

Edition: 1

2017-08

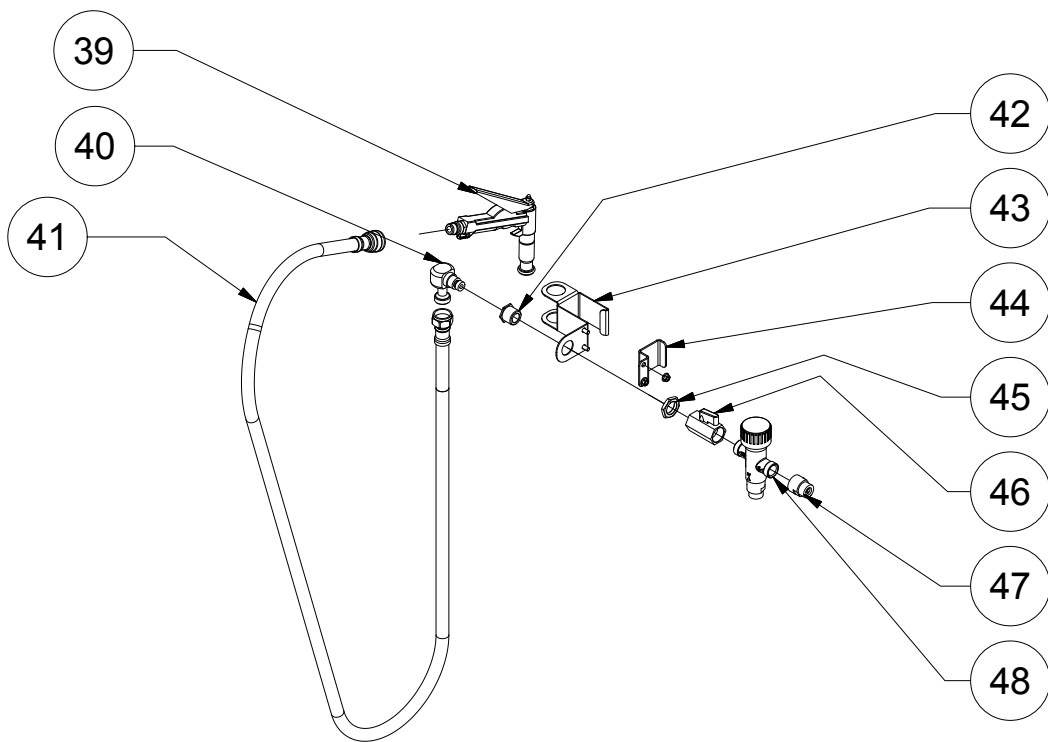


Prod.no.
9F86543600
9F86543700

Trayslide for pass thru stacking table 3-baskets
Tray slide console (3 pcs)

Edition: 1

2017-08



Prod.no.
9F86544300

Pre-rinse unit with fixed thermostatic water 1.5m

Edition: 1

2017-08

29	9F865208-00	Basket support			
28	ST1 21 24-00	Bracket Cpl, Tray Slide Pass Thru			
27	ST1 21 09-01	Bracket, Left, Foldable Tray Slide			
26	ST1 21 04-00	Foldable Console			
25	ST1 21 11-00	Leg Bracket, Foldable Tray Slide			
24	ST1 21 09-00	Bracket, Right, Foldable Tray Slide			
23	ST1 21 22-03	Foldable Tray Slide Pass Thru 3 Rack			
22	ST1 18 64-00	Tube Fitting			
21	ST1 20 88-13	Basin Cpl, Thru Front Cnct L>R 3 Rack			865297
		Basin Cpl, Thru Front Cnct R>L 3 Rack			865293
20	ST1 19 19-13	Basin Cpl, 3 Rack Front Connection L>R			8652940
		Basin Cpl, 4 Rack Front Connection L>R			865295
		Basin Cpl, 5 Rack Front Connection L>R			865296
		Basin Cpl, 3 Rack Front Connection R>L			865261
		Basin Cpl, 4 Rack Front Connection R>L			865262
		Basin Cpl, 5 Rack Front Connection R>L			865292
19	ST1 19 22-01	Stand, Stack Table Front Connectn. L>R			
18	ST1 18 05-00	Connection Plate			
17	ST1 20 61-13	StackTbl Through L>R Basin Cpl 3 Rack			
16	ST1 19 14-01	Stand Back Cpl, Stack Table L>R			
15	476 84 47-00	Drainconnection 1½"			
14	ST1 19 06-13	Stack Table L>R, Basin Cpl, 3 Rack			865204, 865461
	ST1 19 06-14	Stack Table L>R, Basin Cpl, 4 Rack			865205, 865462
	ST1 19 06-15	Stack Table L>R, Basin Cpl, 5 Rack			865206, 865463
	ST1 19 06-03	Stack Table R>L, Basin Cpl, 3 Rack			865257, 865465
	ST1 19 06-04	Stack Table R>L, Basin Cpl, 4 Rack			865258, 865466
	ST1 19 06-05	Stack Table R>L, Basin Cpl, 5 Rack			865259, 865467
13	ST1 17 72-03	Mid Support, Stack Table, 3 Racks			865257,865204,865261,865294 865260,865207,865293,865297
	ST1 17 72-04	Mid Support, Stack Table, 4 Racks			865258, 865205,865262,865295
	ST1 17 72-05	Mid Support, Stack Table, 5 Racks			865258,865205,865262,865295
12	ST1 19 11-00	Grid, Stack Table			
11	ST0 33 76-00	Foot cpl.			
10	ST1 19 13-01	Stand Front Cpl, Stack Table L>R			
9	ST0 33 59-00	Snap on			
8	428 02 89-00	Strainer plate Ø114			
7	ST1 21 09-01	Bracket, Left, Foldable Tray Slide			
6	ST1 21 11-00	Leg Bracket, Foldable Tray Slide			
5	ST1 21 09-00	Bracket, Right, Foldable Tray Slide			
4	ST1 21 04-00	Foldable Console			
3	ST1 21 07-03	Foldable Tray Slide, 3 Rack			865454
		Foldable Tray Slide, 4 Rack			865455
		Foldable Tray Slide, 5 Rack			865456
2	ST0 33 90-00	Strainer basket			
1	4914854-04	Long roller			
Pos	Art. No.	Description	From	To	Note

32	ST1 20 70-00	Gable Cpl, Plain Upper Shelf			
31	ST1 20 91-03	Tube, Upper Shelf, Through, 3 Rack			865428,865432
33	ST1 18 75-00	Plug			
34	ST1 18 70-03	Lower Upper Shelf, 3 Rack			865298
	ST1 18 70-04	Lower Upper Shelf, 4 Rack			865299
	ST1 18 70-05	Lower Upper Shelf, 5 Rack			865427
35	ST1 18 65-00	Gable Cpl, Double Upper Shelf			
30	ST1 18 66-03	Tube, Upper Shelf, 3 Rack			865298,865429
		Tube, Upper Shelf, 4 Rack			865299,865430
		Tube, Upper Shelf, 5 Rack			865427,865431
41	ST0 89 71-00	Mounted hose 1,5 m			
46	ST1 21 29-00	Ball valve ½"			
42	741 41 08-20	Bussning ½" utv - ¼" inv			
48	ST0 51 64-00	Mixing valve			
45	741 11 13-24	Pipe nut ½"			
40	ST0 89 70-00	Swivel			
47	428 14 71-00	Non return valve ½"			
39	428 09 33-00	Hand held sprayer			
44	ST1 21 28-00	Bracket			
43	ST1 21 27-00	Bracket			
38	9F865 437-00	Bracket for Tray Slide			
37	ST1 20 97-03	Tray Slide, Pass Through 3 Rack R>L			9F86529300
	ST1 20 97-13	Tray Slide, Pass Through 3 Rack L<R			9F86529700
36	ST1 18 95-03	Tray Slide, 3 Rack			9F86543300
	ST1 18 95-04	Tray Slide, 4 Rack			9F86543400
	ST1 18 95-05	Tray Slide, 5 Rack			9F86543500
Pos	Art. No.	Description	From	To	Note

