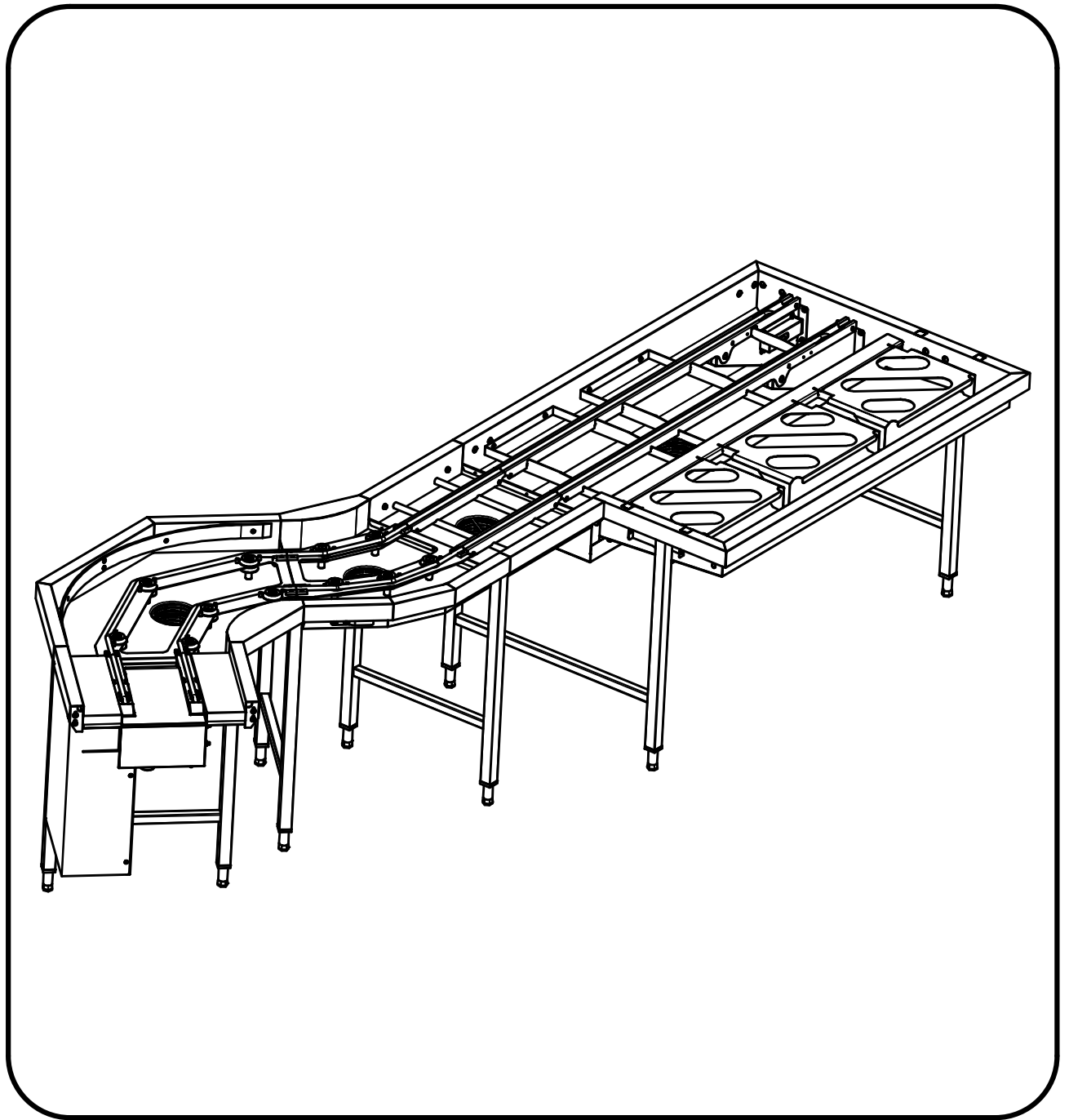


# Spare part list

---



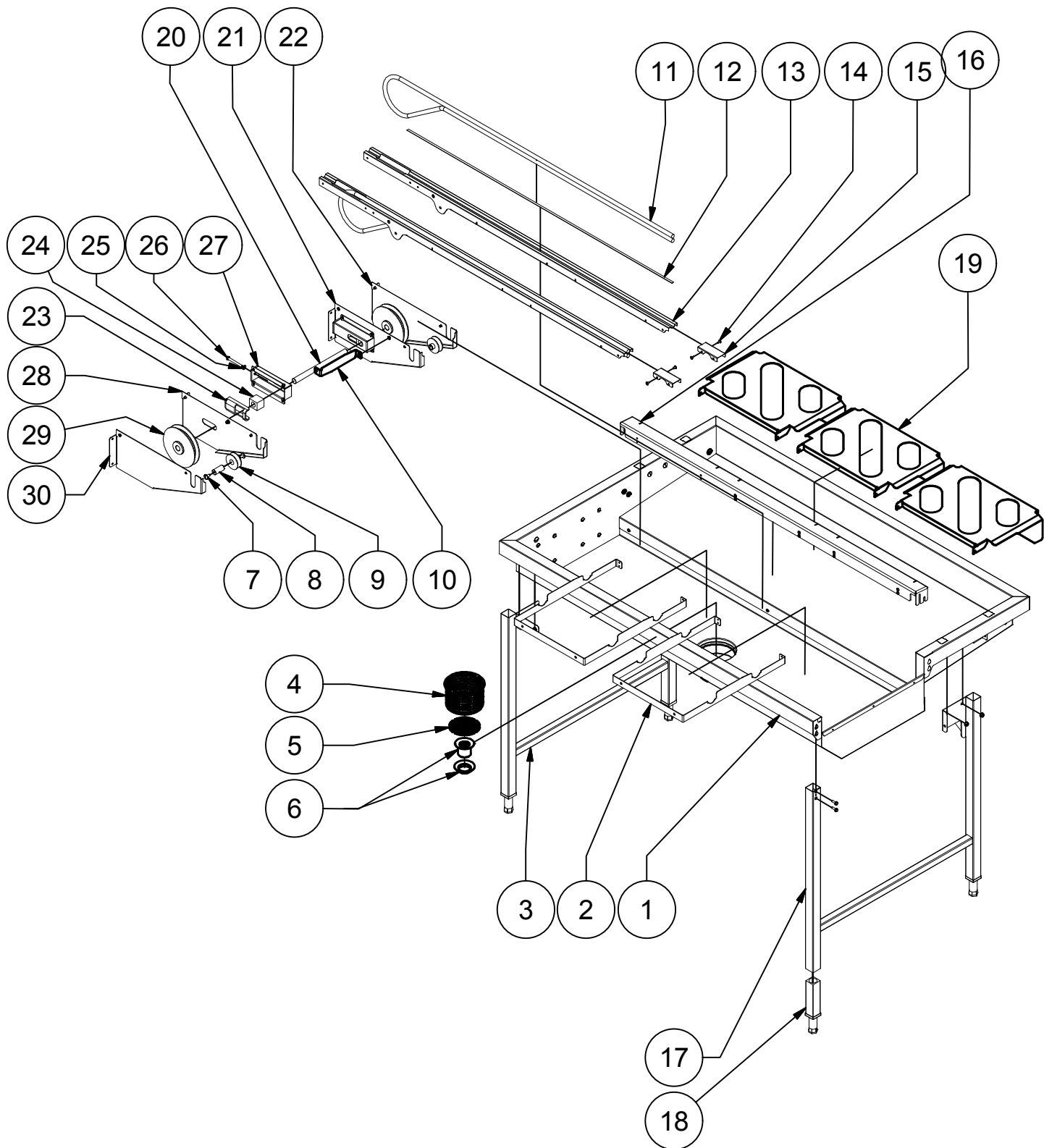
Cord conveyor for baskets

---

CE

DOC. NO. ST1 1794-60  
EDITION 2 2018.11

• Auto.stacking table	3
• Cord conveyer	4
• 90° curve	5
• 45° curve	6
• Drive unit	7
• Return unit	8
• Parts list	9-11



Prod.no.

9F865469-00 L>R, 3 Baskets

9F865470-00 L>R, 4 Baskets

9F865471-00 L>R, 5 Baskets

9F865472-00 L>R, 3 Baskets, Pass thru

Edition : 1

Prod.no.

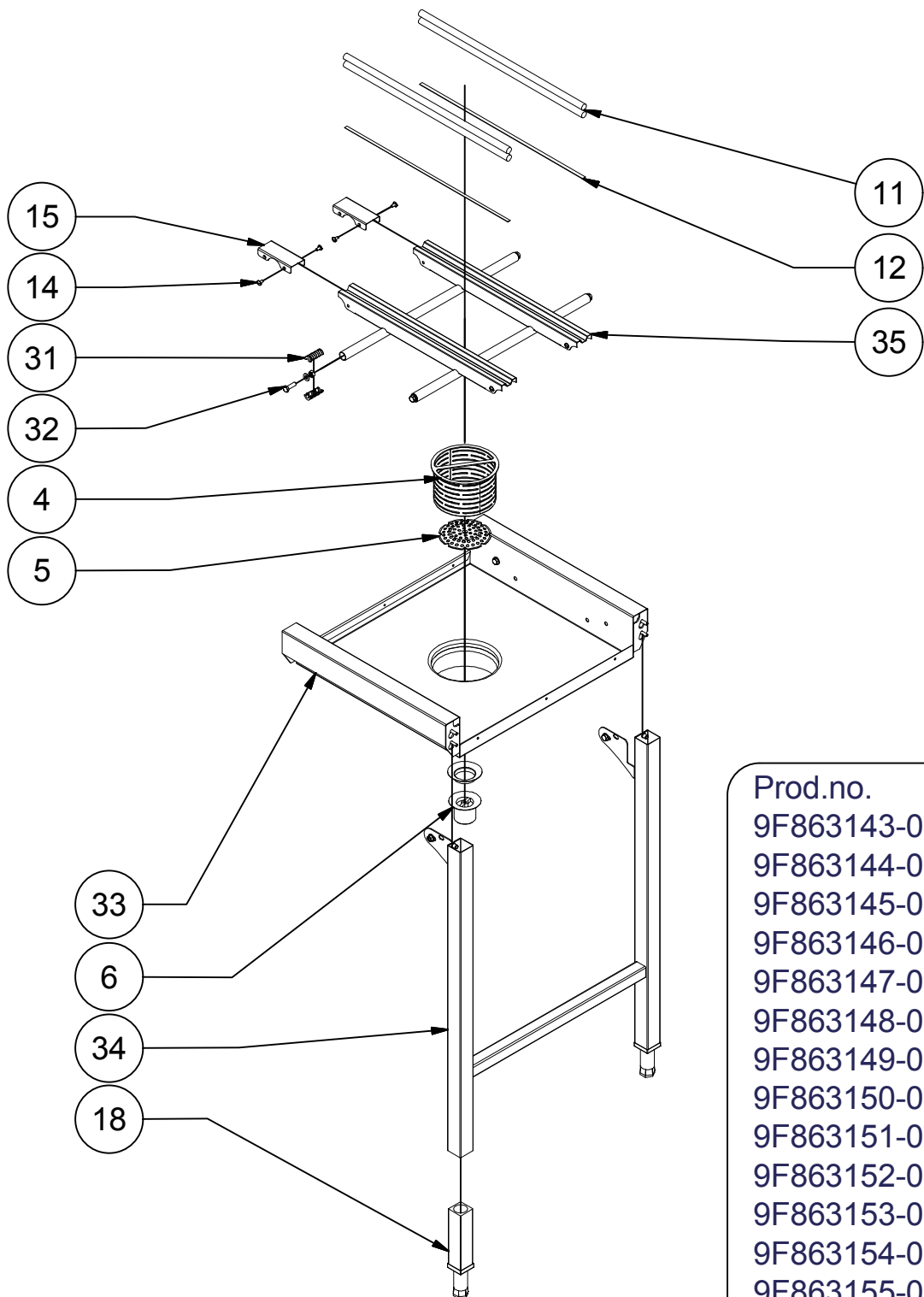
9F865473-00 R>L, 3 Baskets

9F865474-00 R>L, 4 Baskets

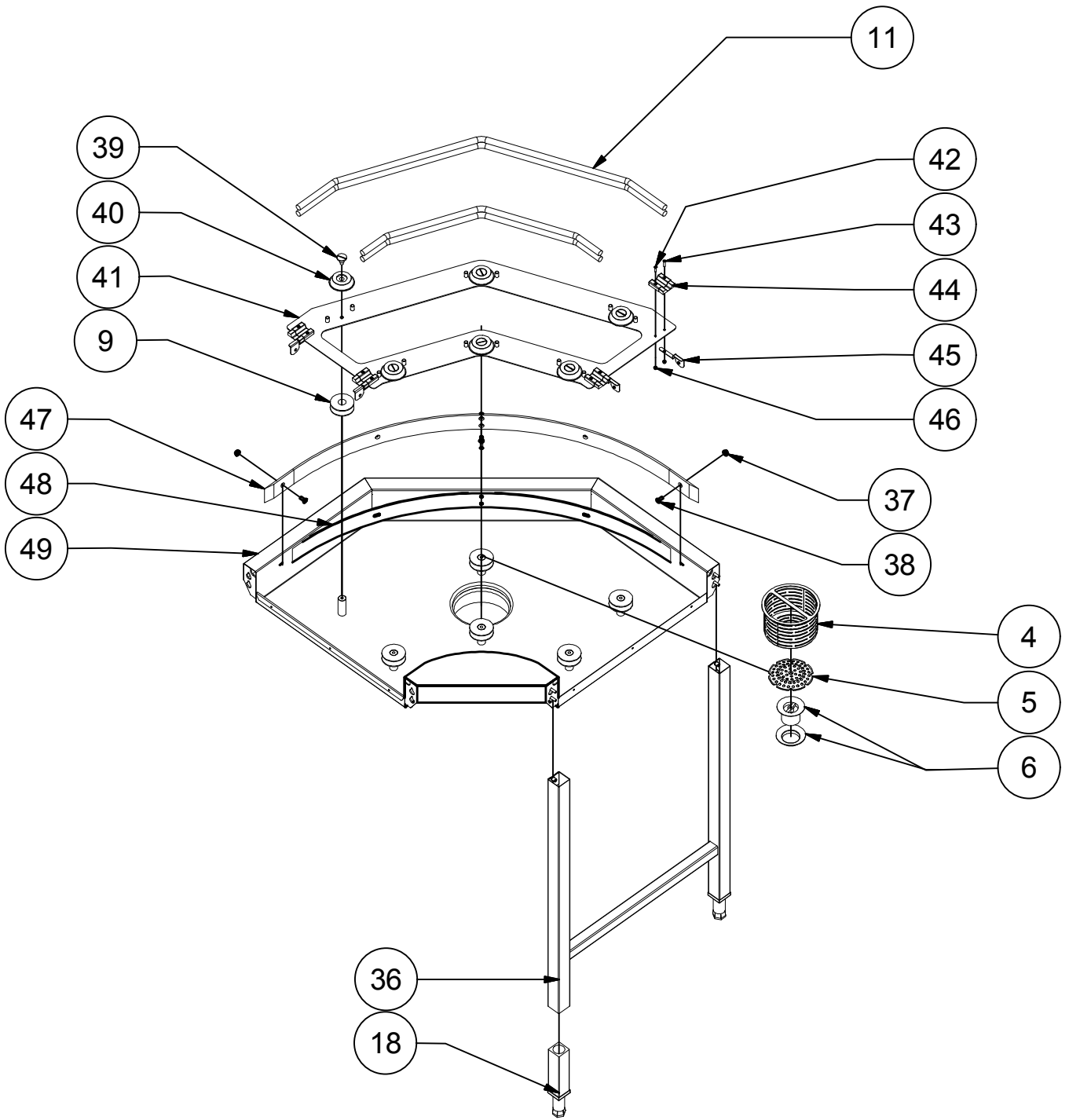
9F865475-00 R>L, 5 Baskets

9F865476-00 R>L, 3 Baskets, Pass thru

2018-04

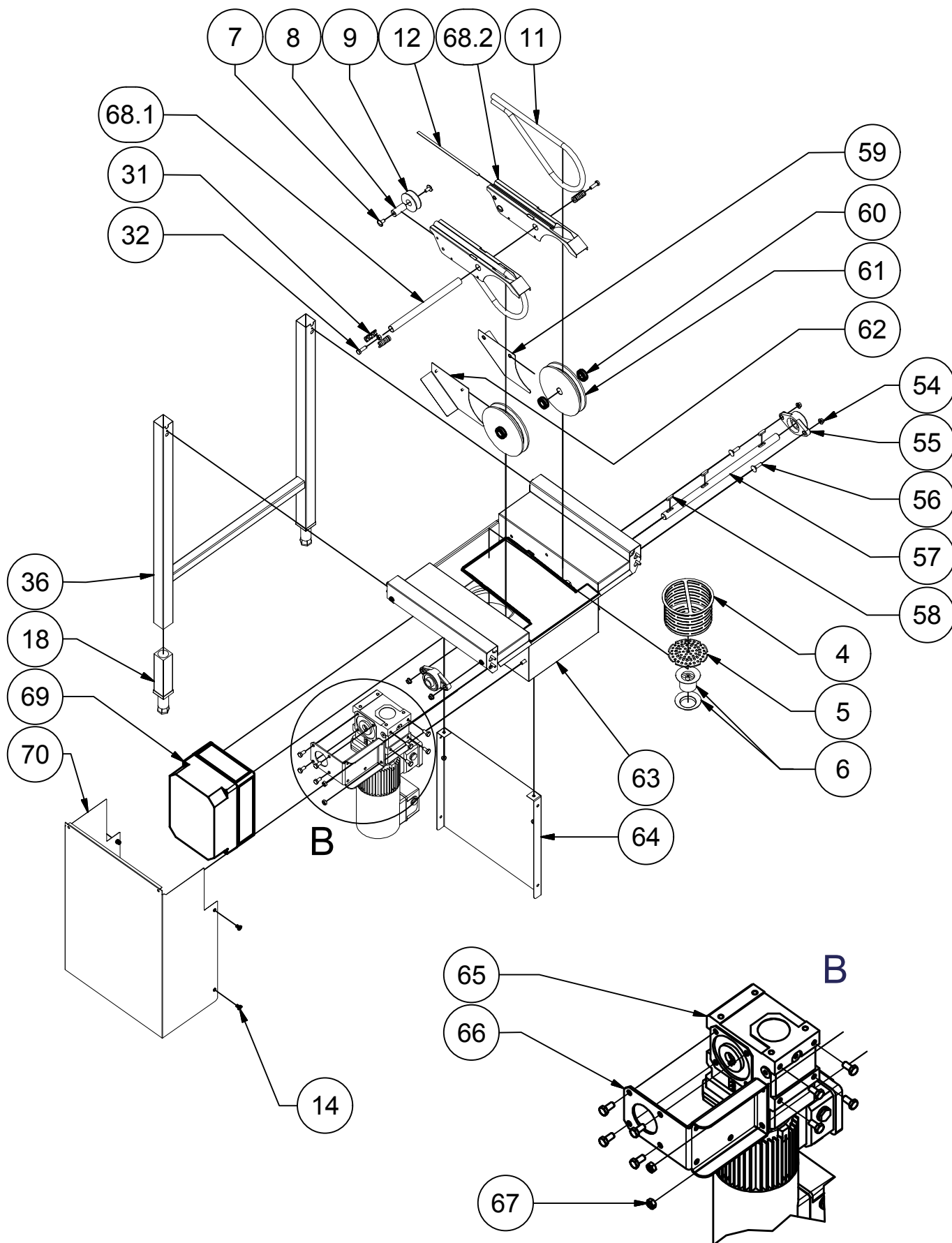


Prod.no.	
9F863143-00	L=500
9F863144-00	L=600
9F863145-00	L=700
9F863146-00	L=800
9F863147-00	L=900
9F863148-00	L=1000
9F863149-00	L=1100
9F863150-00	L=1200
9F863151-00	L=1300
9F863152-00	L=1400
9F863153-00	L=1500
9F863154-00	L=1600
9F863155-00	L=1700
9F863156-00	L=1800
9F863157-00	L=1900
9F863158-00	L=2000
9F863159-00	L=2100
9F863160-00	L=2200
9F863161-00	L=2300
9F863162-00	L=2400
9F863163-00	L=2500
Edition : 1	
2018-04	



Prod.no.  
 9F863164-00 Curve 90 degree  
 Edition : 1 2018-04





Prod.no.  
 9F863167-00 Drive unit, Left>right  
 9F863168-00 Drive unit, Right>left  
 Edition : 1 2018-04



32	725 24 53-40	Screw, M6S M8x25 ss			
31	ST0 45 49-00	Insert plug Ø20			
30	ST1 23 10-02	Cord Cover, Outer Back			
29	ST1 22 58-00	Cord wheel, Return Unit			
28	ST1 23 10-01	Cord Cover, Inner Back			
27	ST1 22 62-00	Stretch Cover Cpl			
26	725 24 65-45	M6S 8x70 Stainless			
25	734 11 64-09	Washer, 8,4x17x1,6			
24	ST1 22 60-00	Slide Bearing			
23	ST1 22 61-00	Stretch Plate			
22	ST1 23 10-03	Cord Cover, Outer Front			
21	ST1 23 10-00	Cord Cover, Inner Front			
20	ST1 22 57-00	Shaft			
19	ST1 24 02-00	Support, Stack table			
18	ST0 33 76-00	Foot cpl.			
17	ST1 19 13-00 ST1 19 13-01	Stand Front Cpl, Stack Table R>L Stand Front Cpl, Stack Table L>R			
16	ST1 24 69-03 ST1 23 07-03 ST1 23 07-04 ST1 23 07-05	Mid Support, Cord. Stack Table, 3 Racks Mid Support, Cord. Stack Table, 3 Racks Mid Support, Cord. Stack Table, 4 Racks Mid Support, Cord. Stack Table, 5 Racks			Pass thru
15	ST0 36 99-00	Connecting part			
14	552 30 01-23	Screw LSXS M5x10			
13	ST1 24 68-00 ST1 23 09-03 ST1 23 09-04 ST1 23 09-05	Cord Guide, Stack Table 3 Rack Cord Guide, Stack Table 3 Rack Cord Guide, Stack Table 4 Rack Cord Guide, Stack Table 5 Rack			Pass thru
12	ST0 51 73-00	Low friction stripe			
11	491 36 82-00	Cord Ø15			
10	ST1 24 03-00	Guide			
9	ST0 44 81-00	Cord wheel (break)			
8	ST0 44 82-00	Shaft			
7	552 30 01-43	Screw LSXS M8x16			
6	476 84 47-00	Drainconnection 1½"			
5	428 02 89-00	Strainer plate Ø114			
4	ST0 33 90-00	Strainer basket			
3	ST1 19 14-00 ST1 19 14-01	Stand Back Cpl, Stack Table R>L Stand Back Cpl, Stack Table L>R			
2	ST1 23 11-00	Support, Cord Guide, Stack Table			
1	ST1 24 62-03 ST1 23 02-03 ST1 23 02-04 ST1 23 02-05 ST1 24 62-13 ST1 23 02-13 ST1 23 02-14 ST1 23 02-15	Basin Cpl, Cord Stack Table R>L 3 Rack Basin Cpl, Cord Stack Table R>L 3 Rack Basin Cpl, Cord Stack Table R>L 4 Rack Basin Cpl, Cord Stack Table R>L 5 Rack Basin Cpl, Cord Stack Table L>R 3 Rack Basin Cpl, Cord Stack Table L>R 3 Rack Basin Cpl, Cord Stack Table L>R 4 Rack Basin Cpl, Cord Stack Table L>R 5 Rack			Pass thru      Pass thru
Pos.	Art. No.	Description	From	To	Note

44	ST0 48 78-00	Cord guide			
43	724 32 95-40	MFX 4x20			
42	724 32 93-40	MFX 4x16			
41	ST1 16 38-00	Wheelplate, Weld Assy.			
40	ST0 48 75-00	Curve wheel			
39	ST0 48 76-00	Shouldred screw			
38	724 33 70-40	Screw MFX 6x20			
37	552 21 21-03	Flange nut M6			
36	ST1 24 48-00	Front stand cpl			
35	ST1 16 63-05 ST1 16 63-06 ST1 16 63-07 ST1 16 63-08 ST1 16 63-09 ST1 16 63-10 ST1 16 63-11 ST1 16 63-12 ST1 16 63-13 ST1 16 63-14 ST1 16 63-15 ST1 16 63-16 ST1 16 63-17 ST1 16 63-18 ST1 16 63-19 ST1 16 63-20 ST1 16 63-21 ST1 16 63-22 ST1 16 63-23 ST1 16 63-24 ST1 16 63-25	Cord Guide Cpl L=500 Cord Guide Cpl L=600 Cord Guide Cpl L=700 Cord Guide Cpl L=800 Cord Guide Cpl L=900 Cord Guide Cpl L=1000 Cord Guide Cpl L=1100 Cord Guide Cpl L=1200 Cord Guide Cpl L=1300 Cord Guide Cpl L=1400 Cord Guide Cpl L=1500 Cord Guide Cpl L=1600 Cord Guide Cpl L=1700 Cord Guide Cpl L=1800 Cord Guide Cpl L=1900 Cord Guide Cpl L=2000 Cord Guide Cpl L=2100 Cord Guide Cpl L=2200 Cord Guide Cpl L=2300 Cord Guide Cpl L=2400 Cord Guide Cpl L=2500			
34	ST0 33 55-00	Stand cpl			
33	ST1 16 59-05 ST1 16 59-06 ST1 16 59-07 ST1 16 59-08 ST1 16 59-09 ST1 16 59-10 ST1 16 59-11 ST1 16 59-12 ST1 16 59-13 ST1 16 59-14 ST1 16 59-15 ST1 16 59-16 ST1 16 59-17 ST1 16 59-18 ST1 16 59-19 ST1 16 59-20 ST1 16 59-21 ST1 16 59-22 ST1 16 59-23 ST1 16 59-24 ST1 16 59-25	Basin, Cord Conveyor, Basket, L=500 Basin, Cord Conveyor, Basket, L=600 Basin, Cord Conveyor, Basket, L=700 Basin, Cord Conveyor, Basket, L=800 Basin, Cord Conveyor, Basket, L=900 Basin, Cord Conveyor, Basket, L=1000 Basin, Cord Conveyor, Basket, L=1100 Basin, Cord Conveyor, Basket, L=1200 Basin, Cord Conveyor, Basket, L=1300 Basin, Cord Conveyor, Basket, L=1400 Basin, Cord Conveyor, Basket, L=1500 Basin, Cord Conveyor, Basket, L=1600 Basin, Cord Conveyor, Basket, L=1700 Basin, Cord Conveyor, Basket, L=1800 Basin, Cord Conveyor, Basket, L=1900 Basin, Cord Conveyor, Basket, L=2000 Basin, Cord Conveyor, Basket, L=2100 Basin, Cord Conveyor, Basket, L=2200 Basin, Cord Conveyor, Basket, L=2300 Basin, Cord Conveyor, Basket, L=2400 Basin, Cord Conveyor, Basket, L=2500			
<b>Pos.</b>	<b>Art. No.</b>	<b>Description</b>	<b>From</b>	<b>To</b>	<b>Note</b>

77	ST1 22 64-02	Cord Cover, Return Unit, Outer Left			
76	ST1 22 64-01	Cord Cover, Return Unit, Inner Left			
75	ST1 22 59-04	Cord Guide, Return Unit, L=400			
74	ST1 22 64-00	Cord Cover, Return Unit, Inner Right			
73	ST1 22 64-03	Cord Cover, Return Unit, Outer Right			
72.6	520 31 15-00	Cover			
72.5	552 21 21-04	Flange nut M8			
72.4	520 27 97-00	Distance			
72.3	520 30 89-00	Pulley			
72.2	734 11 64-45	Washer 8.4x25 Rfr			
72.1	725 24 63-40	Screw M6S 8x60			
72	520 27 95-00	Pulley cpl			
71	ST1 22 54-04	Basin Cpl, Return Unit, L=400			
70	ST1 22 87-00	Motor Cover			
69	ST1 22 82-99	Electric Cabinet Cpl			
68.2	ST1 22 75-04	Cord Guide, Drive Unit L=400			
68.1	ST1 22 74-00	Support Tube, Cord Guide, Drive Unit			
67	731 23 18-40	Nut, M6M M8 Ss			
66	ST1 22 86-00	Motor Bracket			
65	ST1 22 72-00	Hellical Worm Geared Motor			
64	ST1 22 79-00	Motor Cover			
63	ST1 22 69-04	Basin Cpl, Drive Unit L=400			
62	ST1 22 76-01	Cord Cover			
61	ST1 22 98-00	Cord Wheel, Drive Unit			
60	482 37 08-01	Retaining ring			
59	ST1 22 76-00	Cord Cover			
58	735 92 32-40	Wedge 6x6x25			
57	ST1 22 97-00	Motor Shaft			
56	727 64 55-40	MVFB 8x30			
55	491 35 47-00	Flange bushing FYTBKC 20NTH			
54	552 21 21-04	Flange nut M8			
53	ST0 50 55-00	Wheel plate cpl.			
52	ST1 16 36-01	Outer Rim			
51	ST1 16 37-00	Bracket			
50	ST1 15 73-00	Curve 45°, Weld Assy.			
49	ST1 15 70-00	Curve 90°, Weld Assy.			
48	ST1 23 96-00	Outer Rim			
47	ST1 16 36-00	Outer Rim			
46	552 21 21-01	Nut M6MF M4			
45	ST0 62 82-00	Seam part LH, curve 45°/90°			
44	ST0 48 78-00	Cord guide			
Pos.	Art. No.	Description	From	To	Note

