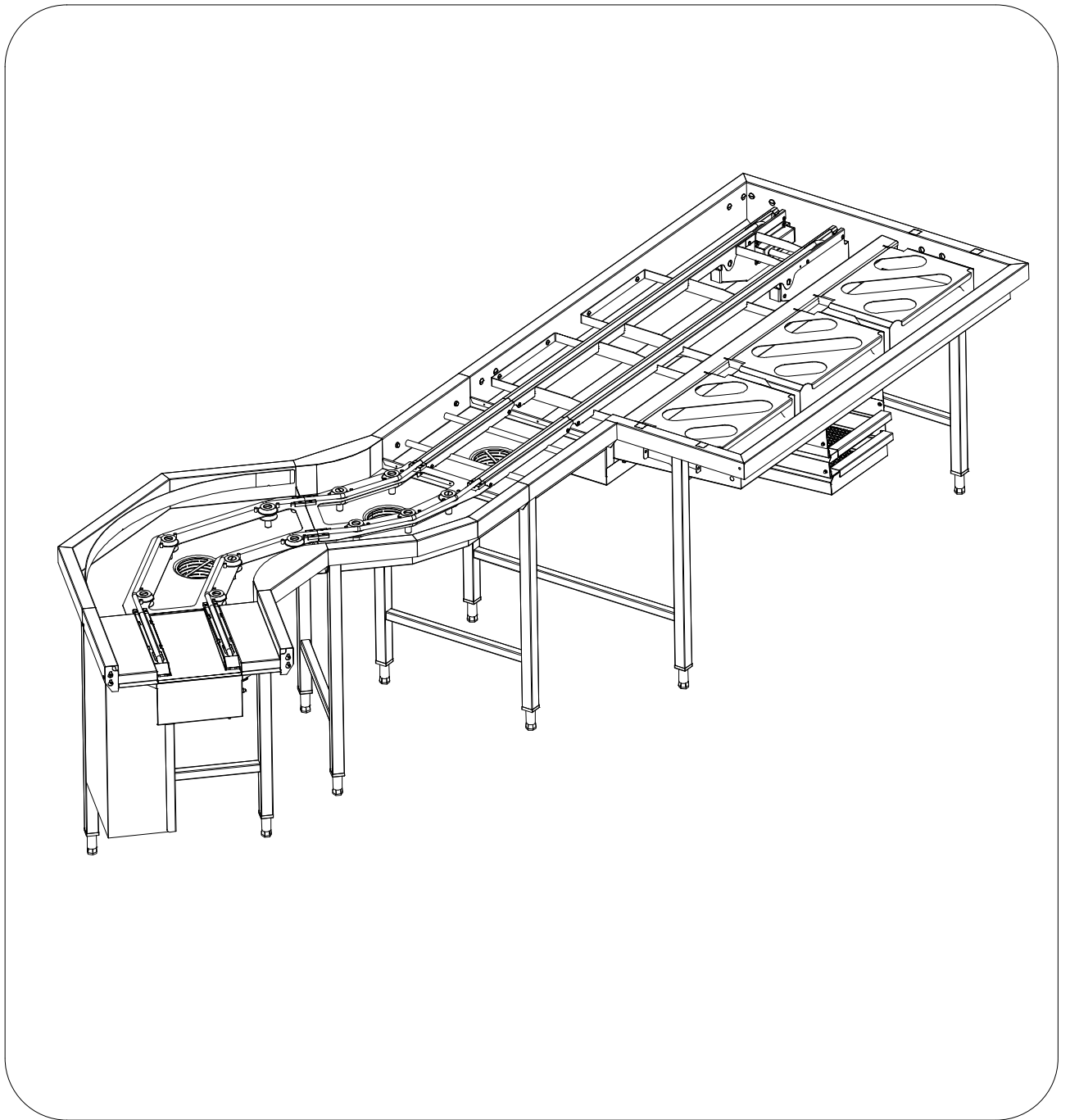


# Spare part list

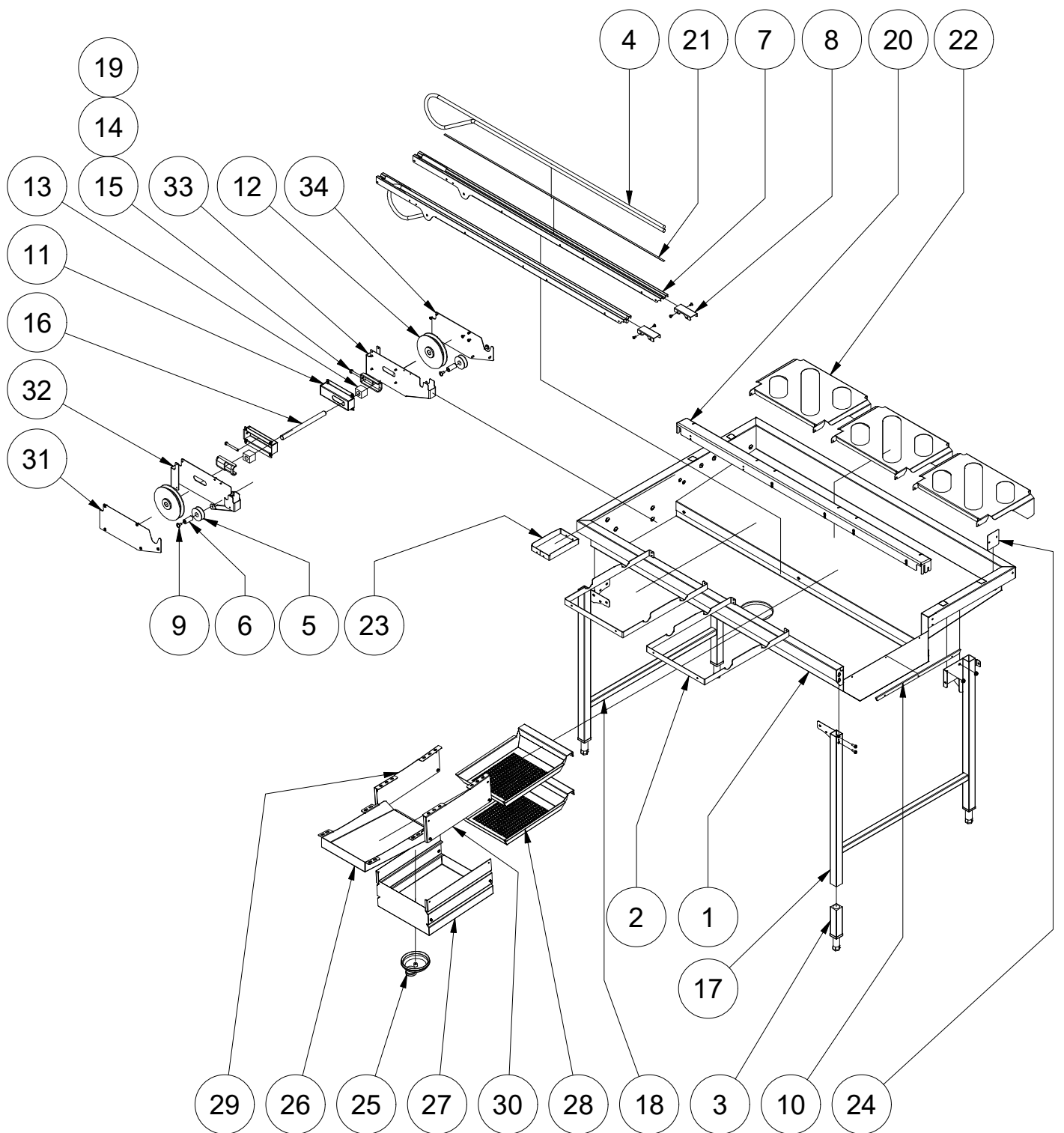


Cord conveyor for baskets





• Auto.stacking table	4-5
• Cord conveyer	6-7
• 90° curve	8-9
• 45° curve	10-11
• Drive unit	12-13
• Electrical cabinet	14
• Return unit	16-17
• End Limit Switch	18



Prod.no.

9F865469-00 L>R, 3 Baskets

9F865470-00 L>R, 4 Baskets

9F865471-00 L>R, 5 Baskets

9F865472-00 L>R, 3 Baskets, Pass thru

9F863225-00 L>R, 6 Baskets

Prod.no.

9F865473-00 R>L, 3 Baskets

9F865474-00 R>L, 4 Baskets

9F865475-00 R>L, 5 Baskets

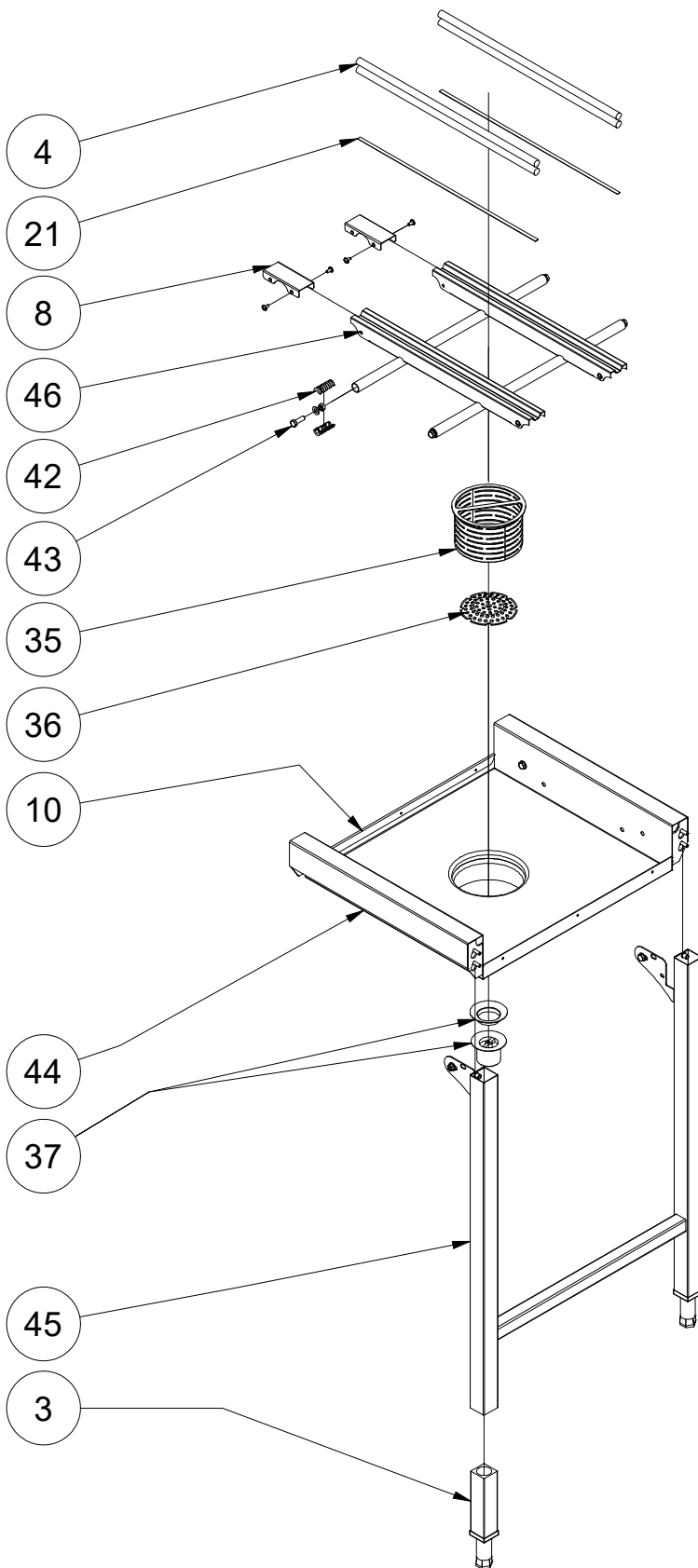
9F865476-00 R>L, 3 Baskets, Pass thru

9F863226-00 R>L, 6 Baskets

Edition : 3

2022-05

34	ST1 28 68-01	Cord Cover, Return Unit, Outer, Left			
33	ST1 28 72-01	Cord protection, Lh, inner.			
32	ST1 28 72-00	Cord protection, Rh, inner.			
31	ST1 28 68-00	Cord Cover, Return Unit, Outer, Right			
30	ST1 27 93-50	Side cover L			
29	ST1 27 93-00	Side cover R			
28	ST1 27 81-00	Strainer box H:50			
27	ST1 24 08-00	Rack for strainer			
26	ST1 24 45-00	Funnel			
25	476 80 48-00	Drain pipe connection			
24	ST1 23 98-00	Cover plate			
23	ST1 24 03-00 ST1 29 95-00 ST1 29 95-02	Slide rail	20w12-1 22w20-1	20w11-5 22w19-5	
22	ST1 24 02-00	Support, basket			
21	ST0 51 73-00	Low friction stripe			
20	ST1 23 07-03 ST1 23 07-04 ST1 23 07-05 ST1 23 07-06 ST1 23 07-15 ST1 23 07-16	Mid Support, Cord. Stack Table, 3 Racks Mid Support, Cord. Stack Table, 4 Racks Mid Support, Cord. Stack Table, 5 Racks, right Mid Support, Cord. Stack Table, 6 Racks, right Mid Support, Cord. Stack Table, 5 Racks, left Mid Support, Cord. Stack Table, 5 Racks, left			
19	734 11 64-09	Washer, 8,4x17x1,6			
18	ST1 19 14-00	Stand Back Cpl, Stack Table R>L			
17	ST1 19 13-00	Stand Front Cpl, Stack Table R>L			
16	ST1 22 57-00	Shaft			
15	725 24 65-45	Screw M6S 8x70			
14	ST1 22 61-00	Stretch Plate			
13	ST1 22 60-00	Slide Bearing			
12	ST1 22 58-00	Cord wheel, Return Unit			
11	ST1 22 62-00	Stretch Cover Cpl			
10	ST0 33 59-00	Snap on			
9	552 30 01-43	Screw LSKS M8x16			
8	ST0 36 99-00	Connecting part			
7	ST1 29 94-03 ST1 29 94-04 ST1 29 94-05 ST1 24 68-06	Cord Guide, Stack Table 3 Rack Cord Guide, Stack Table 4 Rack Cord Guide, Stack Table 5 Rack Cord Guide, Stack Table, extension			
6	ST0 44 82-00	Shaft			
5	ST0 44 81-00	Cord wheel (break)			
4	491 36 82-00	Cord Ø15			
3	ST0 33 76-00	Foot cpl.			
2	ST1 23 11-00	Support, Cord Guide, Stack Table			
1	ST1 23 02-03 ST1 24 61-03 ST1 23 02-04 ST1 23 02-05 ST1 23 02-06 ST1 23 02-13 ST1 24 61-13 ST1 23 02-14 ST1 23 02-15 ST1 23 02-16	Basin Cpl, Cord Stack Table R>L 3 Rack Basin Cpl, Cord Stack Table R>L 3 Rack, pass thru Basin Cpl, Cord Stack Table R>L 4 Rack Basin Cpl, Cord Stack Table R>L 5 Rack Basin Cpl, Cord Stack Table R>L 6 Rack Basin Cpl, Cord Stack Table L>R 3 Rack Basin Cpl, Cord Stack Table L>R 3 Rack, pass thru Basin Cpl, Cord Stack Table L>R 4 Rack Basin Cpl, Cord Stack Table L>R 5 Rack Basin Cpl, Cord Stack Table L>R 6 Rack			
Pos.	Art. No.	Description	From	To	Note
Auto.stacking table					

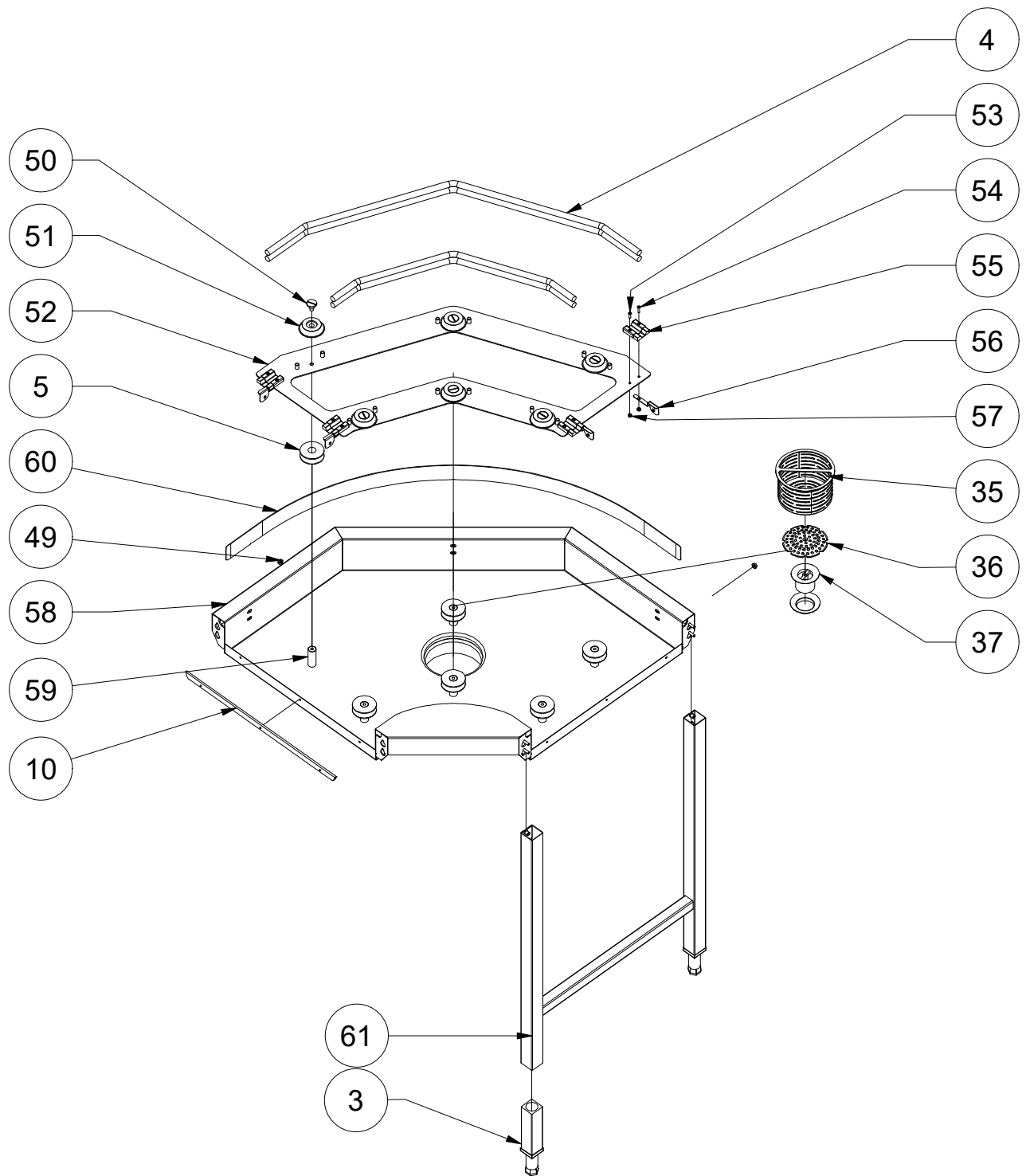


Prod.no.	Cord conveyor
9F863143-00	L=500
9F863144-00	L=600
9F863145-00	L=700
9F863146-00	L=800
9F863147-00	L=900
9F863148-00	L=1000
9F863149-00	L=1100
9F863150-00	L=1200
9F863151-00	L=1300
9F863152-00	L=1400
9F863153-00	L=1500
9F863154-00	L=1600
9F863155-00	L=1700
9F863156-00	L=1800
9F863157-00	L=1900
9F863158-00	L=2000
9F863159-00	L=2100
9F863160-00	L=2200
9F863161-00	L=2300
9F863162-00	L=2400
9F863163-00	L=2500

Edition : 3

2022-05

46	ST1 16 63-05	Cord Guide Cpl L=500			
	ST1 16 63-06	Cord Guide Cpl L=600			
	ST1 16 63-07	Cord Guide Cpl L=700			
	ST1 16 63-08	Cord Guide Cpl L=800			
	ST1 16 63-09	Cord Guide Cpl L=900			
	ST1 16 63-10	Cord Guide Cpl L=1000			
	ST1 16 63-11	Cord Guide Cpl L=1100			
	ST1 16 63-12	Cord Guide Cpl L=1200			
	ST1 16 63-13	Cord Guide Cpl L=1300			
	ST1 16 63-14	Cord Guide Cpl L=1400			
	ST1 16 63-15	Cord Guide Cpl L=1500			
	ST1 16 63-16	Cord Guide Cpl L=1600			
	ST1 16 63-17	Cord Guide Cpl L=1700			
	ST1 16 63-18	Cord Guide Cpl L=1800			
	ST1 16 63-19	Cord Guide Cpl L=1900			
	ST1 16 63-20	Cord Guide Cpl L=2000			
	ST1 16 63-21	Cord Guide Cpl L=2100			
	ST1 16 63-22	Cord Guide Cpl L=2200			
	ST1 16 63-23	Cord Guide Cpl L=2300			
	ST1 16 63-24	Cord Guide Cpl L=2400			
	ST1 16 63-25	Cord Guide Cpl L=2500			
45	ST1 16 75-00	Stand cpl			
44	ST1 16 59-05	Basin, Cord Conveyor, Basket, L=500			
	ST1 16 59-06	Basin, Cord Conveyor, Basket, L=600			
	ST1 16 59-07	Basin, Cord Conveyor, Basket, L=700			
	ST1 16 59-08	Basin, Cord Conveyor, Basket, L=800			
	ST1 16 59-09	Basin, Cord Conveyor, Basket, L=900			
	ST1 16 59-10	Basin, Cord Conveyor, Basket, L=1000			
	ST1 16 59-11	Basin, Cord Conveyor, Basket, L=1100			
	ST1 16 59-12	Basin, Cord Conveyor, Basket, L=1200			
	ST1 16 59-13	Basin, Cord Conveyor, Basket, L=1300			
	ST1 16 59-14	Basin, Cord Conveyor, Basket, L=1400			
	ST1 16 59-15	Basin, Cord Conveyor, Basket, L=1500			
	ST1 16 59-16	Basin, Cord Conveyor, Basket, L=1600			
	ST1 16 59-17	Basin, Cord Conveyor, Basket, L=1700			
	ST1 16 59-18	Basin, Cord Conveyor, Basket, L=1800			
	ST1 16 59-19	Basin, Cord Conveyor, Basket, L=1900			
	ST1 16 59-20	Basin, Cord Conveyor, Basket, L=2000			
	ST1 16 59-21	Basin, Cord Conveyor, Basket, L=2100			
	ST1 16 59-22	Basin, Cord Conveyor, Basket, L=2200			
	ST1 16 59-23	Basin, Cord Conveyor, Basket, L=2300			
	ST1 16 59-24	Basin, Cord Conveyor, Basket, L=2400			
	ST1 16 59-25	Basin, Cord Conveyor, Basket, L=2500			
43	725 24 53-40	Screw M6S 8x25			
42	ST0 45 49-00	Insert plug Ø20			
37	476 84 47-00	Drainconnection 1½"			
36	428 02 89-00	Strainer plate Ø114			
35	ST0 33 90-00	Strainer basket			
21	ST0 51 73-00	Low friction stripe			
10	ST0 33 59-00	Snap on			
8	ST0 36 99-00	Connecting part			
4	491 36 82-00	Cord Ø15			
3	ST0 33 76-00	Foot cpl.			
<b>Pos.</b>	<b>Art. No.</b>	<b>Description</b>	<b>From</b>	<b>To</b>	<b>Note</b>
<b>Cord conveyor</b>					

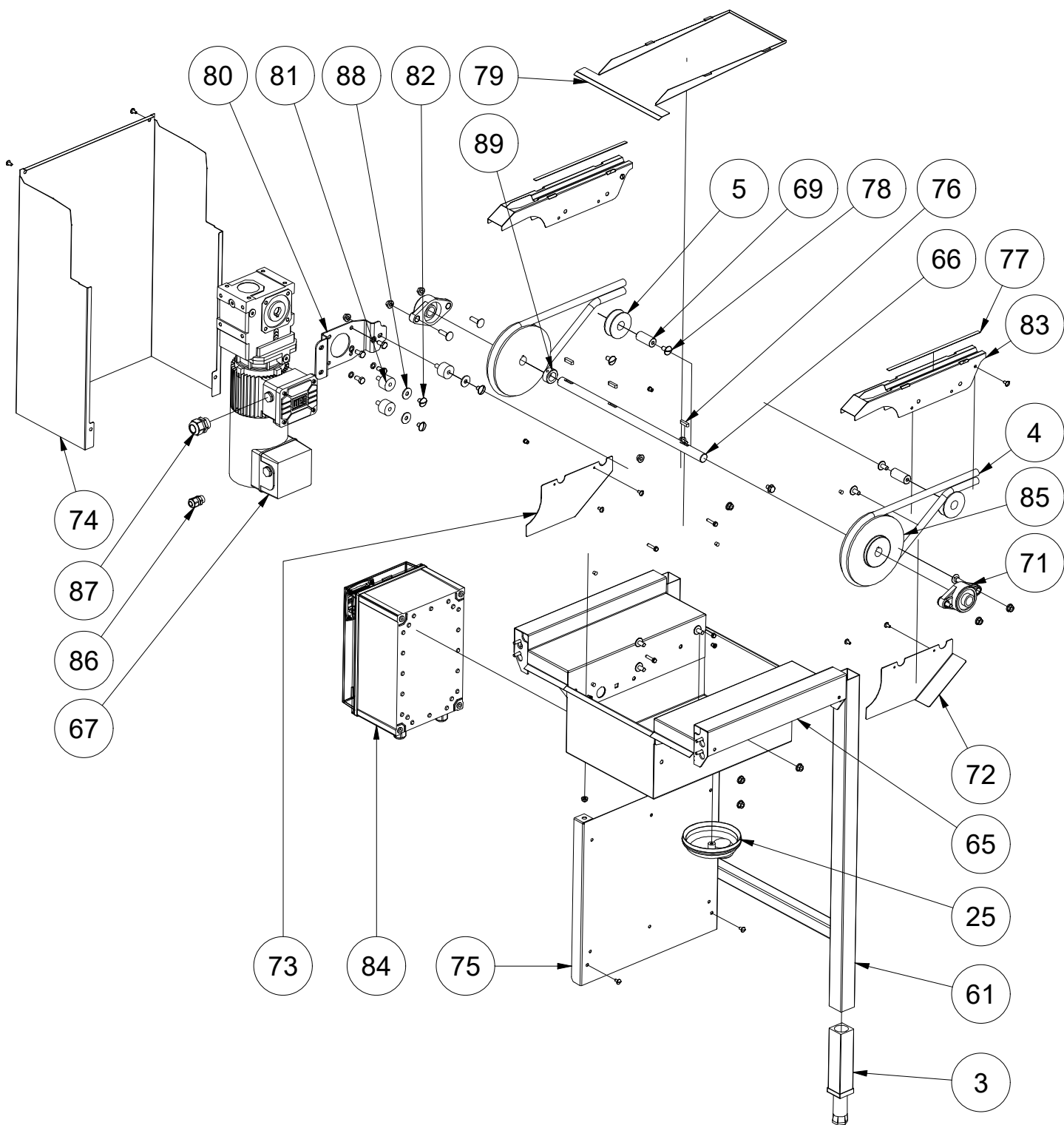


Prod.no.  
 9F863164-00 90° Curve  
 Edition : 3 2022-05

61	ST1 24 48-00	Front stand cpl			
60	ST1 25 57-00	Outer Rim 90° curve			
59	ST0 45 69-00	Spacing shaft			
58	ST1 15 70-00	Curve 90°, Weld Assy.			
57	552 21 21-01	Flange nut M4			
56	ST0 62 82-00	Seam part LH, curve 45°/90°			
55	ST0 48 78-00	Cord guide			
54	724 32 95-40	Screw MFX 4x20			
53	724 32 93-40	Screw MFX 4x16			
52	ST1 16 38-00	Wheelplate, Weld Assy.			
51	ST0 48 75-00	Curve wheel			
50	ST0 48 76-00	Shouldred screw			
49	552 21 21-03	Flange nut M6			
37	476 84 47-00	Drainconnection 1½"			
36	428 02 89-00	Strainer plate Ø114			
35	ST0 33 90-00	Strainer basket			
10	ST0 33 59-00	Snap on			
5	ST0 44 81-00	Cord wheel (break)			
4	491 36 82-00	Cord Ø15			
3	ST0 33 76-00	Foot cpl.			
<b>Pos.</b>	<b>Art. No.</b>	<b>Description</b>	<b>From</b>	<b>To</b>	<b>Note</b>
<b>90° Curve</b>					

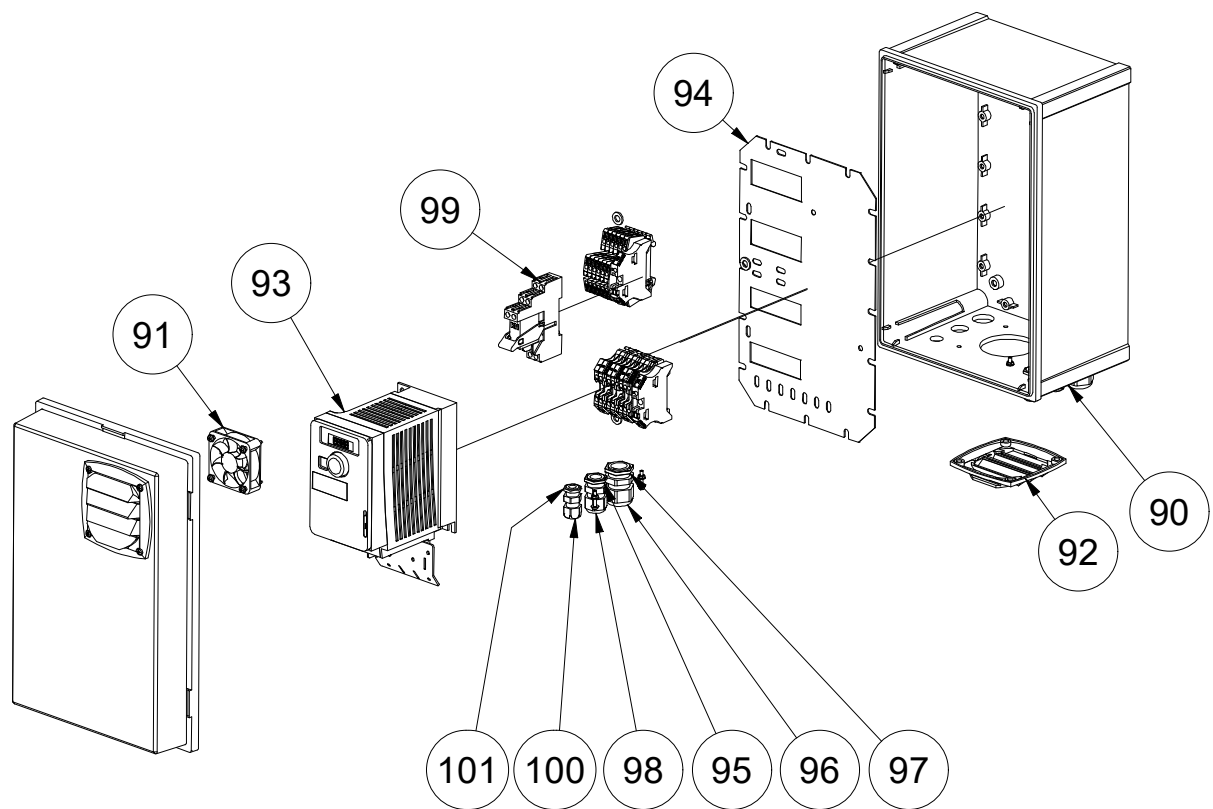


64	ST1 25 60-00	Outer Rim 45° curve			
63	ST0 50 55-00	Wheel plate cpl.			
62	ST1 15 73-00	Curve 45°, Weld Assy.			
61	ST1 24 48-00	Front stand cpl			
59	ST0 45 69-00	Spacing shaft			
57	552 21 21-01	Flange nut M4			
56	ST0 62 82-00	Seam part LH, curve 45°/90°			
55	ST0 48 78-00	Cord guide			
54	724 32 95-40	Screw MFX 4x20			
53	724 32 93-40	Screw MFX 4x16			
51	ST0 48 75-00	Curve wheel			
50	ST0 48 76-00	Shouldred screw			
49	552 21 21-03	Flange nut M6			
37	476 84 47-00	Drainconnection 1½"			
36	428 02 89-00	Strainer plate Ø114			
35	ST0 33 90-00	Strainer basket			
10	ST0 33 59-00	Snap on			
5	ST0 44 81-00	Cord wheel (break)			
4	491 36 82-00	Cord Ø15			
3	ST0 33 76-00	Foot cpl.			
<b>Pos.</b>	<b>Art. No.</b>	<b>Description</b>	<b>From</b>	<b>To</b>	<b>Note</b>
<b>45° Curve</b>					



Prod.no.  
 9F863167-00 Drive unit, Left>right  
 9F863168-00 Drive unit, Right>left  
 Edition : 3  
 2022-05

89	482 37 08-00	Retaining ring			
88	734 11 64-45	Washer			
87	ST0 36 56-03	Cable gland M25 EMC			
86	ST0 31 45-09	Cable gland M16			
85	ST1 23 82-00	Cord Wheel, Drive Unit			
84	ST1 22 82-99	Electrical cabinet			
83	ST1 22 75-04	Cord Guide, Drive Unit L=400			
82	552 30 01-42	Screw LSKS M8x12			
81	ST0 45 21-00	Absorber D:30 H:20 M8			
80	ST1 26 54-00	Motor support			
79	ST1 22 78-00	Flow Return, Drive Unit			
78	552 30 01-43	Screw LSKS M8x16			
77	ST0 51 73-00	Low friction stripe			
76	735 92 32-40	Wedge 6x6x25			
75	ST1 22 79-00	Mounting plate			
74	ST1 22 87-00	Cover			
73	ST1 22 76-01	Cord Cover			
72	ST1 22 76-00	Cord Cover			
71	491 35 47-00	Flange bushing FYTBKC 20NTH			
69	ST0 44 82-00	Shaft			
67	ST1 22 72-00	Motor SUA			
66	ST1 22 97-00	Motor Shaft			
65	ST1 22 69-04	Basin Cpl, Drive Unit L=400			
61	ST1 24 48-00	Front stand cpl			
25	476 80 48-00	Drain pipe connection			
5	ST0 44 81-00	Cord wheel (break)			
4	491 36 82-00	Cord Ø15			
3	ST0 33 76-00	Foot cpl.			
Pos.	Art. No.	Description	From	To	Note
Drive unit					



101	ST0 28 64-01	Nut M12x1.5			
100	ST0 31 45-08	Cable gland M12			
99	ST1 27 62-00	Double relay 24V			
98	ST0 31 45-09	Cable gland M16			
97	ST0 28 64-03	Nut M20x1.5			
96	ST0 31 45-10	Cable gland M20			
95	ST0 28 64-02	Nut M16x1,5			
94	ST1 26 59-00	Mounting plate			
93	ST1 24 40-01	Frequency converter			
92	ST1 27 03-00	Valve Grid			
91	ST1 27 06-00	Fan			
90	ST1 27 07-00	Electrical cabinet			
<b>Pos.</b>	<b>Art. No.</b>	<b>Description</b>	<b>From</b>	<b>To</b>	<b>Note</b>

Prod.no.

9F863167-00 Electrical Cabinet

9F863168-00 Electrical Cabinet

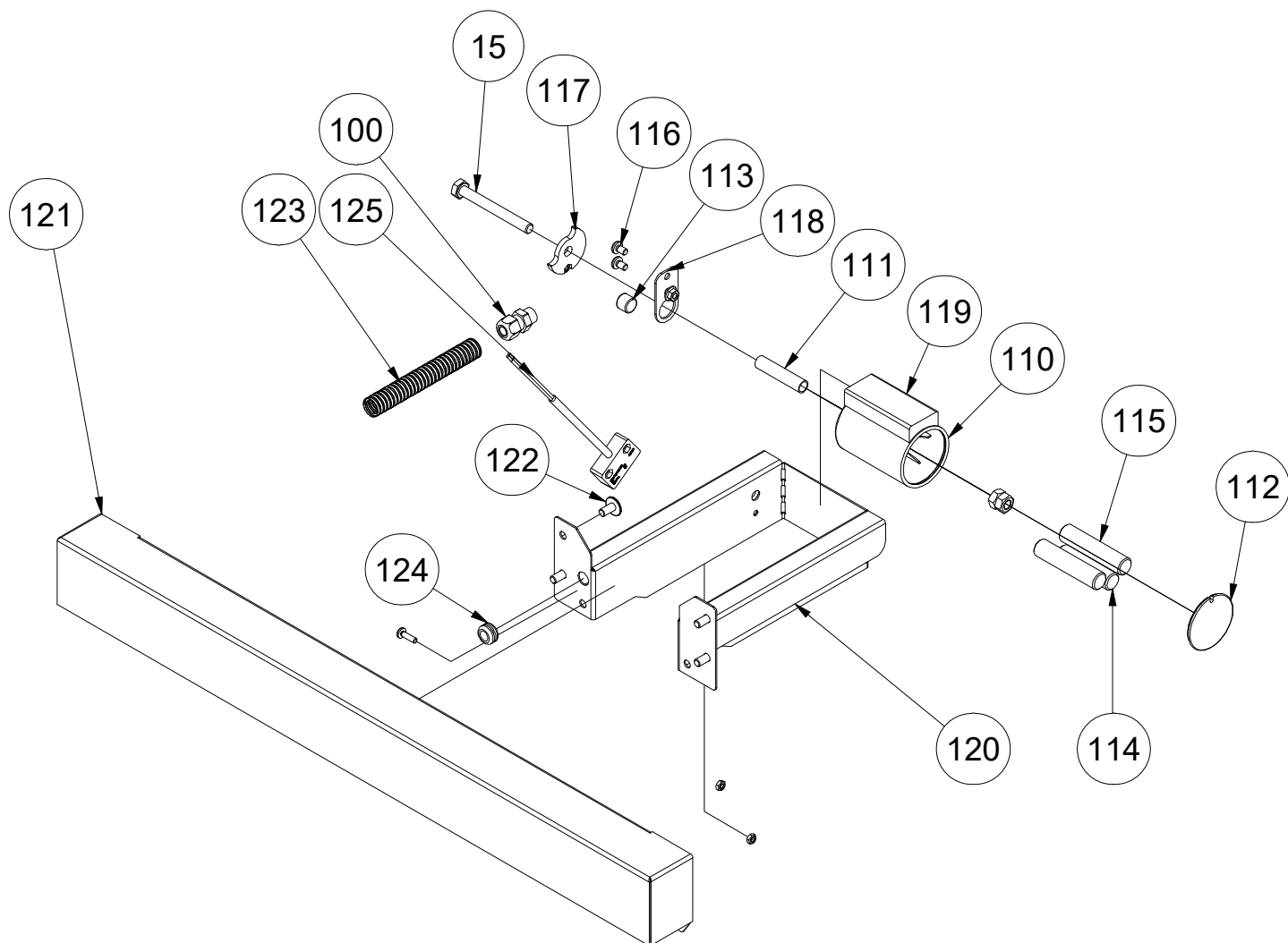
Edition :3

2022-05





102	552 21 21-54	Flange nut M8			
112	520 31 15-00	Cover			
111	520 27 97-00	Distance			
110	520 30 89-00	Pulley			
109	725 24 63-40	Screw M6S 8x60			
108	ST1 22 64-02	Cord Cover, Return Unit, Outer Left			
107	ST1 22 64-01	Cord Cover, Return Unit, Inner Left			
106	ST1 22 59-04	Cord Guide, Return Unit, L=400			
105	ST1 22 64-00	Cord Cover, Return Unit, Inner Right			
104	ST1 22 64-03	Cord Cover, Return Unit, Outer Right			
103	ST1 22 54-04	Basin Cpl, Return Unit, L=400			
61	ST1 24 48-00	Front stand cpl			
25	476 80 48-00	Drain pipe connection			
21	ST0 51 73-00	Low friction stripe			
16	ST1 22 57-00	Shaft			
15	725 24 65-45	Screw M6S 8x70			
14	ST1 22 61-00	Stretch Plate			
13	ST1 22 60-00	Slide Bearing			
12	ST1 22 58-00	Cord wheel, Return Unit			
11	ST1 22 62-00	Stretch Cover Cpl			
10	ST0 33 59-00	Snap on			
9	552 30 01-43	Screw LSKS M8x16			
8	ST0 36 99-00	Connecting part			
6	ST0 44 82-00	Shaft			
5	ST0 44 81-00	Cord wheel (break)			
4	491 36 82-00	Cord Ø15			
3	ST0 33 76-00	Foot cpl.			
Pos.	Art. No.	Description	From	To	Note
Return unit					



125	476 06 64-00	Magnetic switch NO , L=1.5m			
124	762 11 68-00	Inlet Ø8			
123	552 00 12-01	Protection hose 12B			
122	552 30 01-34	LSKS M6x12			
121	ST1 24 59-00	End plate			
120	ST1 24 58-00	End limit switch Bracket			
100	ST0 31 45-08	Cable gland M12			
49	552 21 21-03	Flange nut M6			
119	ST1 18 23-00	Switch Block			
118	ST1 18 24-00	Bracket for Switch Block			
117	ST1 16 77-00	Rotation Limit Washer			
116	724 13 23-40	Screw MRX 5x8 ss			
115	ST0 66 31-00	Counterweight			
114	ST0 66 31-01	Counterweight			
113	ST0 41 99-00	Magnet Ø12, Neodym			
112	520 31 15-00	Cover			
111	520 27 97-00	Distance			
110	520 30 89-00	Pulley			
15	725 24 65-45	Screw M6S 8x70			
Pos.	Art. No.	Description	From	To	Note

Prod.no.  
9F863174-00 End Limit Switch

Edition : 3

2022-05